

Whirlpool® Side by Side Refrigerator

PRODUCT MODEL NUMBERS

ED2FHAXS	ES5LHAXS
ED5FHAXS	ES5PHAXS
ED5PHAXS	GD5RHAXS
ES2FHAXS	GS2SHAXS
ES5FHAXS	GS5SHAXS

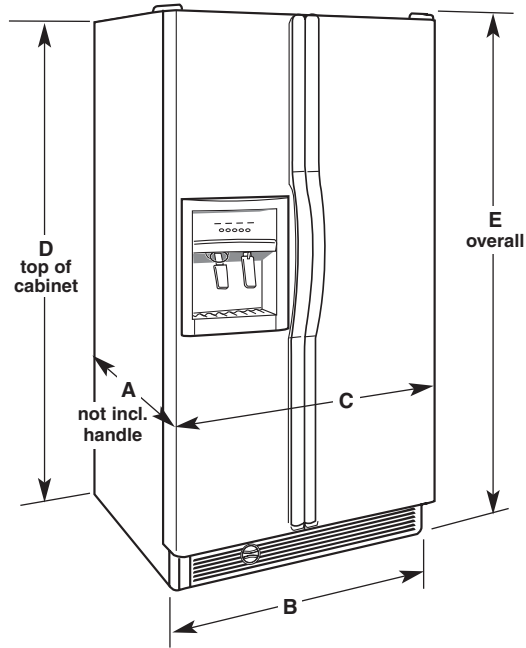
Electrical: A 115 Volt, 60 Hz., AC only 15 or 20 amp fused, grounded electrical supply is required. It is recommended that a separate circuit serving only your refrigerator be provided. Use an outlet that cannot be turned off by a switch. Do not use an extension cord.

Water: A cold water line with water pressure between 30 and 120 psi (207 - 827 kPa) is required for the water dispenser and ice maker.

Reverse osmosis water supply: The pressure of the water supply coming out of a reverse osmosis system going to the water inlet valve of the refrigerator needs to be between 30 and 120 psi (207 - 827 kPa).

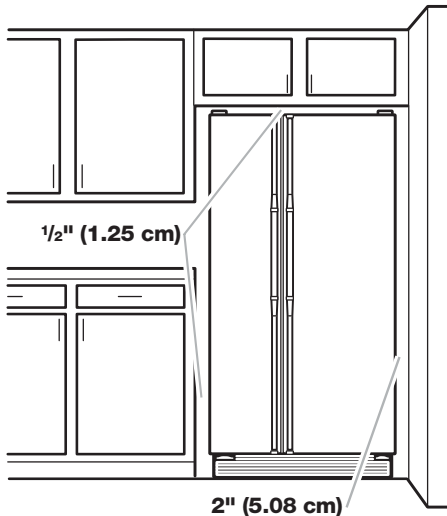
If a reverse osmosis water filtration system is connected to your cold water supply, the water pressure to the reverse osmosis system needs to be a minimum of 40 to 60 psi (276 - 414 kPa).

OVERALL DIMENSIONS



Model size	Depth "A"	Cab. Width "B"	Door Width "C"	Cab. Height "D"	Overall Height "E"
ED2FHAXS	31 3/8"	32 3/4"	33 1/8"	65 7/8"	66 3/4"
ED5FHAXS	31 3/8"	35 1/2"	35 7/8"	68 7/8"	69 3/4"
ED5PHAXS	31 3/8"	35 1/2"	35 7/8"	68 7/8"	69 3/4"
ES2FHAXS	33 1/4"	32 3/4"	33 1/4"	65 7/8"	67 1/4"
ES5FHAXS	33 1/4"	35 1/2"	36"	68 7/8"	70 1/4"
ES5LHAXS	33 1/4"	35 1/2"	36"	68 7/8"	70 1/4"
ES5PHAXS	33 1/4"	35 1/2"	36"	68 7/8"	70 1/4"
GD5RHAXS	31 3/8"	35 1/2"	35 7/8"	68 7/8"	69 3/4"
GS2SHAXS	33 1/4"	32 3/4"	33 1/4"	65 7/8"	67 1/4"
GS5SHAXS	33 1/4"	35 1/2"	36"	68 7/8"	70 1/4"

LOCATION REQUIREMENTS



To ensure proper ventilation for your refrigerator, allow for 1/2" (1.25 cm) space on each side and at the top. When installing your refrigerator next to a fixed wall, leave 2" (5.08 cm) minimum on each side (depending on your model) to allow for the door to swing open. If your refrigerator has a water dispenser and ice maker, allow extra space at the back for the water line connections.

NOTE: Do not install the refrigerator near an oven, radiator, or other heat source, nor in a location where the temperature will fall below 55°F (13°C).