



30" Wall Oven and Microwave Combination

Microwave Combination Wall Oven

Available Products: ECWM3012AS

Available Colors: Stainless Steel

Version: 12/22

Product Specifications

Cooking Controls

Air Fry	Yes
Air Sous Vide	Yes
Bake	Yes
Bake Time	Yes
Bread Proof	Yes
Broil	Yes
Cancel	Yes
Child Lock	Yes
Clear Off	Yes
Clock	Yes
Convection Bake	Yes
Convection Roast	Yes
Cook Time	Yes
Dehydrate	Yes
Delay Clean	Yes
Delay Start	Yes
Fast Preheat	Yes
Keep Warm	Yes
Kitchen Timer	Yes
Light	Yes
My Favorite	Yes
Off	Yes
Oven Light	Yes
Perfect Turkey	Yes
Preheat	Yes
Probe	Yes
Self Clean	Yes
Set Clock	Yes
Slow Cook	Yes
Start	Yes
Start Time	Yes
Steam Bake	Yes
Steam Clean	Yes
Steam Roast	Yes
Stop	Yes
Temperature Display	Yes
Timed Bake	Yes
Timer On / Off	Yes
User Preferences	Yes

Cooking Controls Function

Change between Continuous Bake Setting or 12-Hour Energy Saving Feature	Yes
Delayed Bake	Yes
Program Fahrenheit or Celsius	Yes
Silent Control Panel	Yes
Timed Cooking	Yes

Microwave Cooking

Microwave Cooking Power	1000 Watts
Bacon	Yes
Beverage	Yes
Defrost	Yes
Melt / Soften	Yes
Popcorn	Yes
Reheat	Yes
Rice	Yes
Top Grill Mode	Yes
Veggies	Yes

Controls

Control Lock	Yes
Sabbath Mode	Yes

Display

Control Location	Front
Display Interface Color	White
Display Light Color	White
Display Type	Capacitive Touch

Oven

Bake Element	2,500 Watts
Bake Element Pass	8
Bake Element Type	Hidden
Broil Element	4,000 Watts
Broil Element Pass	6
Broil System	Yes
Cleaning System	Yes
Convection	Yes
Convection Element	3,800 Watts
Convection Type	Total
Number of Convection Fans	1
Number of Rack Positions	6
Oven Interior Color	Midnight Black
Oven Light Quantity	2
Oven Light Type	Halogen
Oven Light Watts	40 Watts
Rack Position Type	Embossed
Rack Type 1	Handle Bull Nose
Rack Type 1 Quantity	1
Rack Type 2	Glide
Rack Type 2 Quantity	1
Rack Type 3	Air Fry Tray
Rack Type 3 Quantity	1

Convection Cooking

Convection Cooking - Bake	Yes
Convection Element	1650 Watts

Microwave Control Features

+ 30 Seconds	Yes - One Touch
--------------	-----------------

Internal Specifications

Rack	Yes
Turntable Diameter	14"
Turntable Material	Glass

Electrical Specifications

Amps @ 240 Volts	40 Amps
Connected Load @ 240V	8.3 kW
Minimum Circuit Required	40 Amps
Voltage Rating	240 V

General Specifications

Prop 65 Label	Yes
Warranty - Labor	1 Year
Warranty - Parts	1 Year

Safety Certifications and Approvals

CSA Listed	Yes
UL Listed	Yes
RoHS	Yes

Dimensions and Volume

Height	41 9/16"
Width	28 7/8"
Depth	25 3/16"
Depth With Door 90° Open	47 3/16"
Depth With Handle	27 6/10"
Cutout Depth	23 5/8"
Oven Interior Height	18 1/8"
Oven Interior Width	25 3/16"
Oven Interior Depth	19 7/8"
Microwave Interior Height	9 5/16"
Microwave Interior Width	18 7/8"
Minimum Cutout Height	40 5/8"
Minimum Cutout Width	28 1/2"
Maximum Cutout Height	41 1/2"
Maximum Cutout Width	29"
Microwave Capacity	1.7 Cu. Ft.
Oven Capacity	5.3 Cu. Ft.

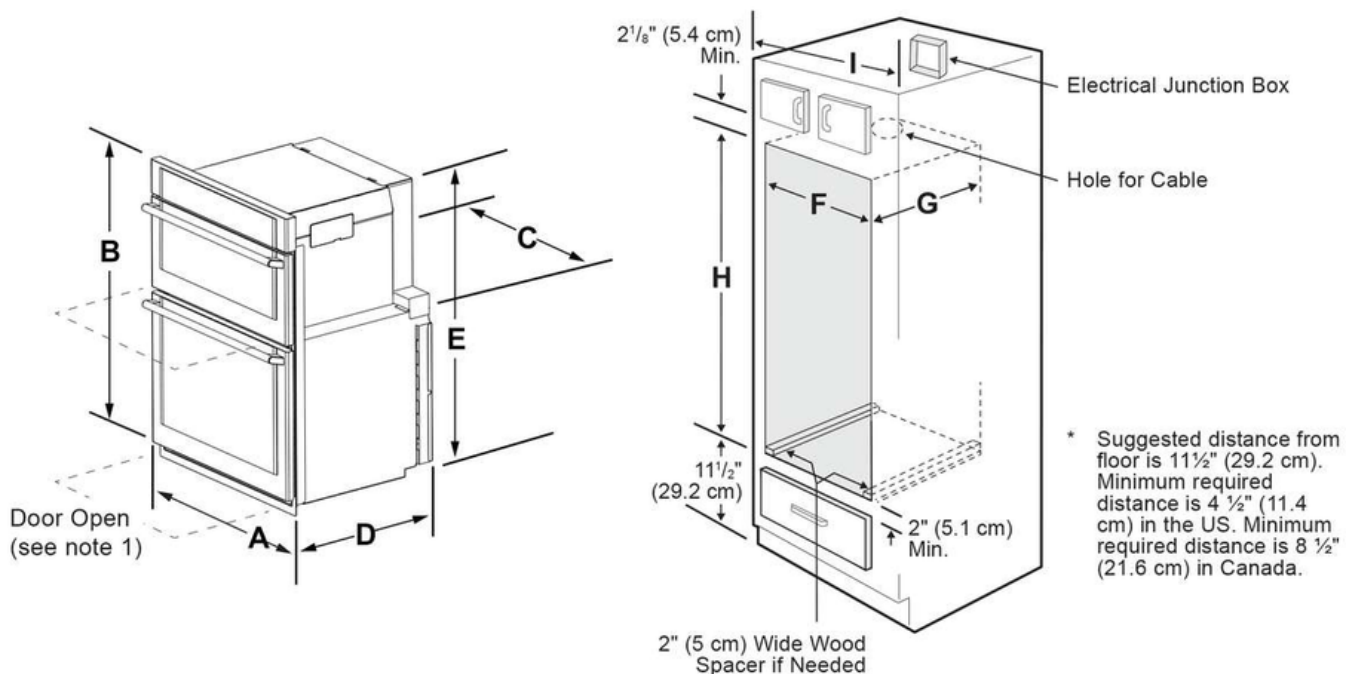
Installation

Power Supply Connection Location	Top Left
----------------------------------	----------

Certifications and Approvals

ADA Compliant	No
Star-K Certification	Yes

Installation Diagram



NOTES:

1. Allow at least 22" (55.9cm) clearance in front of oven for door depth when it is open.
2. Dimension G (cutout depth) is critical to the proper installation of the built-in oven. If the oven decorative trim does not butt against the cabinet verify dimension G to assure it is the required depth.
3. For a cutout height greater than the maximum (H), add one 2"(5 cm) wide wood shim of appropriate height to each side of the opening under the appliance side rails. A trim kit may be purchased through a dealer, service, or on the brand website.

Figure 1: Product and Cutout Dimensions

PRODUCT DIMENSIONS					
A	B	C	D		E
29 ⁷ / ₈ " (75.9 cm)	41 ⁹ / ₁₆ " (105.6 cm)	28 ⁷ / ₁₆ " (72.2 cm)	25 ³ / ₁₆ " (63.9 cm)		40 ⁹ / ₁₆ " (102.9 cm)
CUTOUT DIMENSIONS AND CABINET WIDTH					
F		G. Min.	H		I
Min.	Max.		Min.	Max.	
28 ¹ / ₂ " (72.4 cm)	29" (73.7 cm)	23 ¹ / ₂ " (59.7 cm)	40 ⁵ / ₈ " (103.1 cm)	41 ¹ / ₂ " (105.4 cm)	30 ¹ / ₈ " (76.5 cm) Min