

# SPECIFICATIONS

**GENERAL**

Higher quality Celebrity single bowl sink is seamlessly drawn of #20 gauge, type 304 (18-8) nickel bearing stainless steel. Self-rimming.

**DESIGN FEATURES**

Bowl Depth: 7-1/2".

Coved Corners: 3" vertical radius.

Bowl and Faucet Deck Recess: 1/2" total recess below rim provides protection against water overflowing onto countertop - 1/8" recess for styled faucet deck configuration and 3/8" for the extra deep drop ledge providing additional faucet spout clearance.

Finish: Exposed surfaces are machine polished to a bright, highlighted finish.

Underside: Fully undercoated to prevent condensation and deaden sound.

**OTHER**

Drain Opening: 3-1/2".

Faucet Holes: 1, 2, 3 or 4 holes as indicated, 4" center to center.

Note: Unless otherwise specified, sink is furnished with four faucet holes as illustrated.

**OPTIONAL ACCESSORIES**

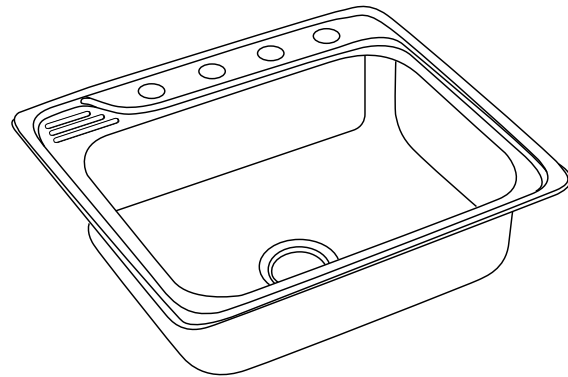
Rinsing Baskets: LKRB1520 and LKERBSS.

Cutting Boards: CB(T)1713 and CB1516.

This sink complies with ANSI Standard A112.19.3M.



This sink is listed by the International Association of Plumbing and Mechanical Officials as meeting the requirements of the Uniform Plumbing Code.

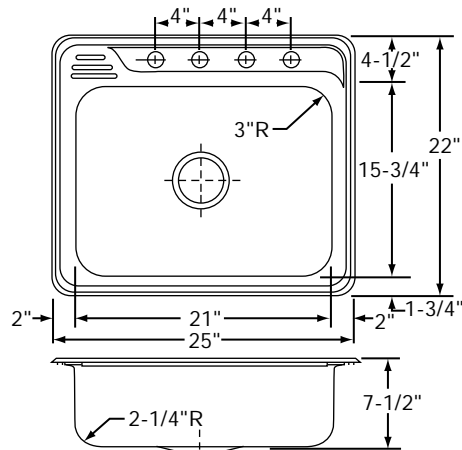


Model ECC25223

**SINK DIMENSIONS (INCHES)\***

Model Number	Overall		Inside Each Bowl			Cutout in Countertop (1 1/2" Radius Corners)		No. of 1 1/2" Dia. Faucet Holes 4" Centers	Ship. Wt. Lbs.
	L	W	L	W	D	L	W		
ECC2522	25	22	21	15 3/4	7 1/2	24 3/8	21 3/8	1, 2, 3 or 4	12

\*Length is left to right. Width is front to back.



Model ECC25224 Illustrated

IN CANADA © ELKAY MFG. CO. 1994 COVERED BY ONE OR MORE OF THE FOLLOWING U.S. PATENTS:  
 DES. 353,878 DES. 353,880  
 DES. 353,879 DES. 354,119

**ALL DIMENSIONS IN INCHES, TO CONVERT TO MILLIMETERS MULTIPLY BY 25.4.**

This specification describes an Elkay product with design, quality and functional benefits to the user. When making a comparison of other producers' offerings, be certain these features are not overlooked.