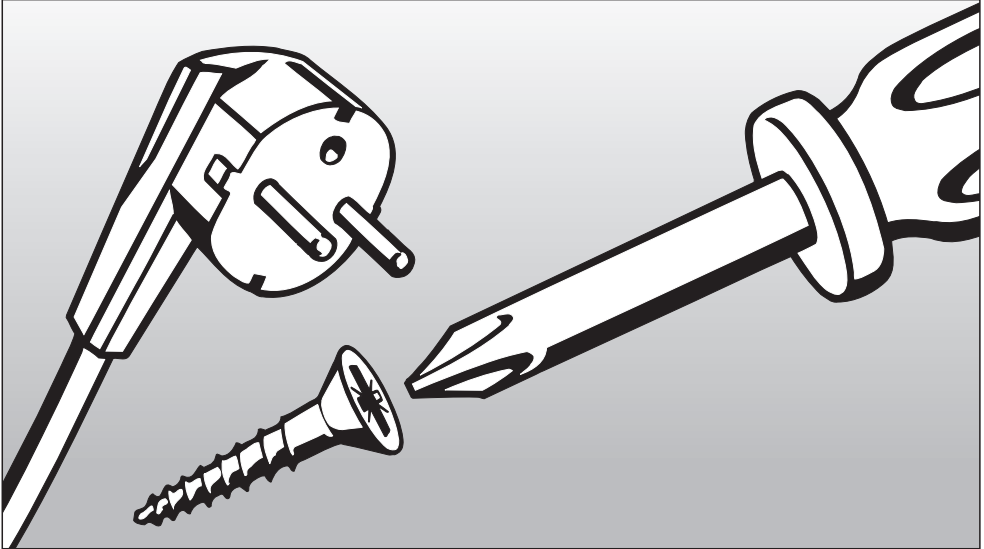


# Miele

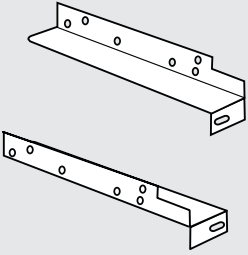
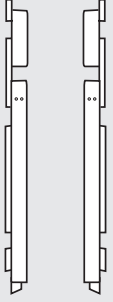
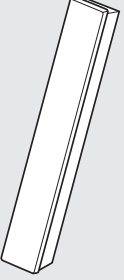






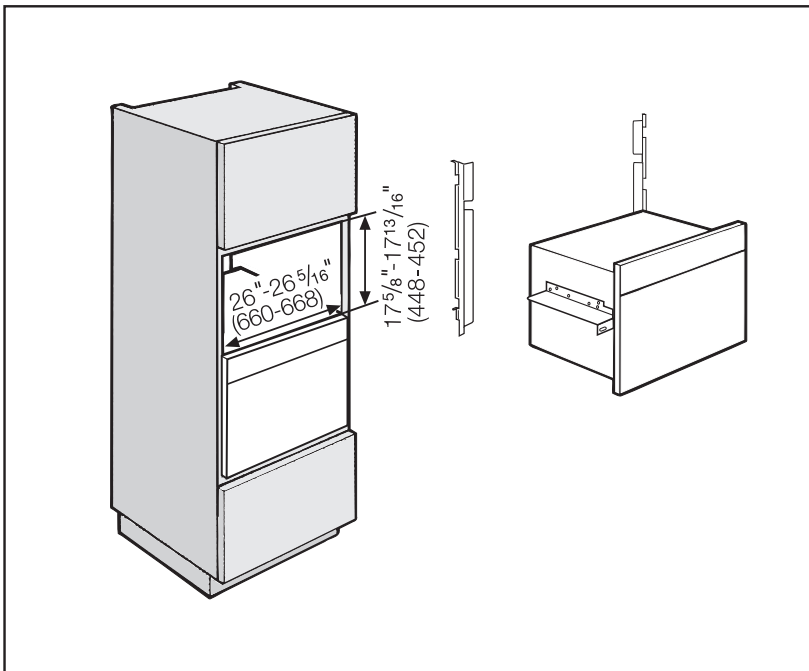
EBA 5470  
EBA 5476  
EBA 5477

en, fr, es - AU, CA, GB, MX, NZ, US, ZA

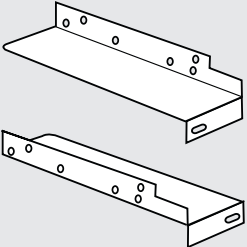
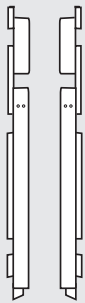

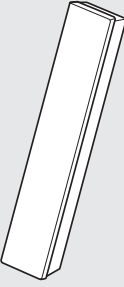




M.-Nr. 07 439 880

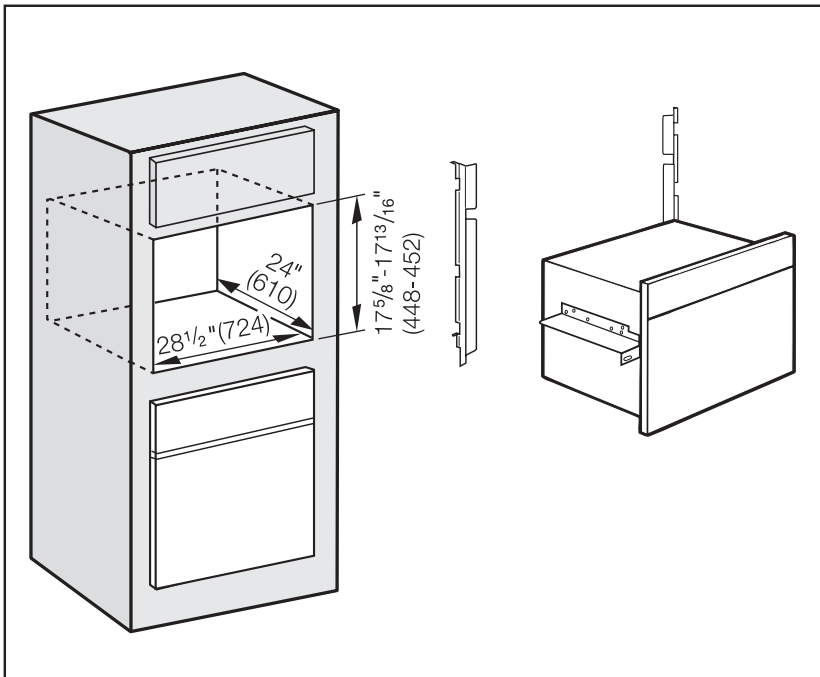
# EBA 5470 (70 cm)

<p style="text-align: center;">Ⓐ</p>  <p style="text-align: center;">2x</p>	<p style="text-align: center;">Ⓑ</p>  <p style="text-align: center;">1x    1x</p>	<p style="text-align: center;">Ⓓ</p>  <p style="text-align: center;">2x</p>	<p style="text-align: center;">Ⓔ 4x9</p>  <p style="text-align: center;">4x</p>	<p style="text-align: center;">Ⓖ 3.5x15</p>  <p style="text-align: center;">4x</p>
			<p style="text-align: center;">Ⓕ 4x11</p>  <p style="text-align: center;">2x</p>	<p style="text-align: center;">Ⓖ 3x25</p>  <p style="text-align: center;">2x</p>



# EBA 5476 / EBA 5477 (30")

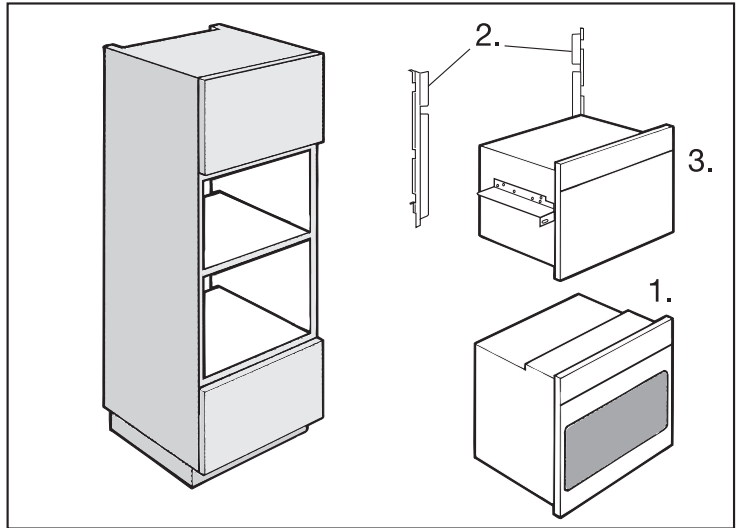
<p><b>A</b></p>  <p>2x</p>	<p><b>B</b></p>  <p>1x 1x</p>	<p><b>C</b></p>  <p>1x</p>	<p><b>D</b></p>  <p>2x</p>	<p><b>E</b> 4x9</p>  4x	<p><b>G</b> 3.5x15</p>  7x
				<p><b>F</b> 4x11</p>  2x	<p><b>H</b> 3x25</p>  2x





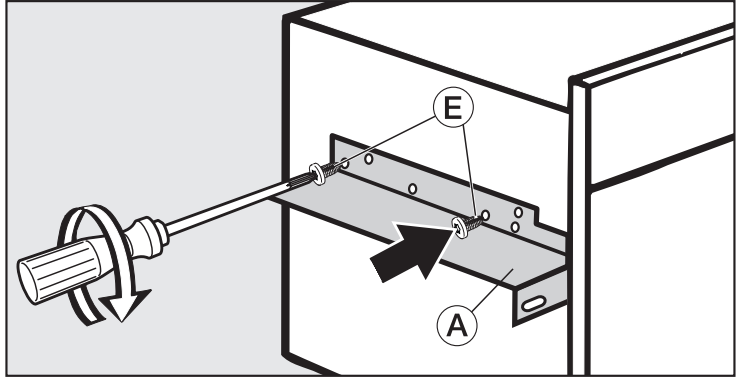
①

**EBA 5470 (70 cm) / EBA 5476 (30") / EBA 5477 (30")**

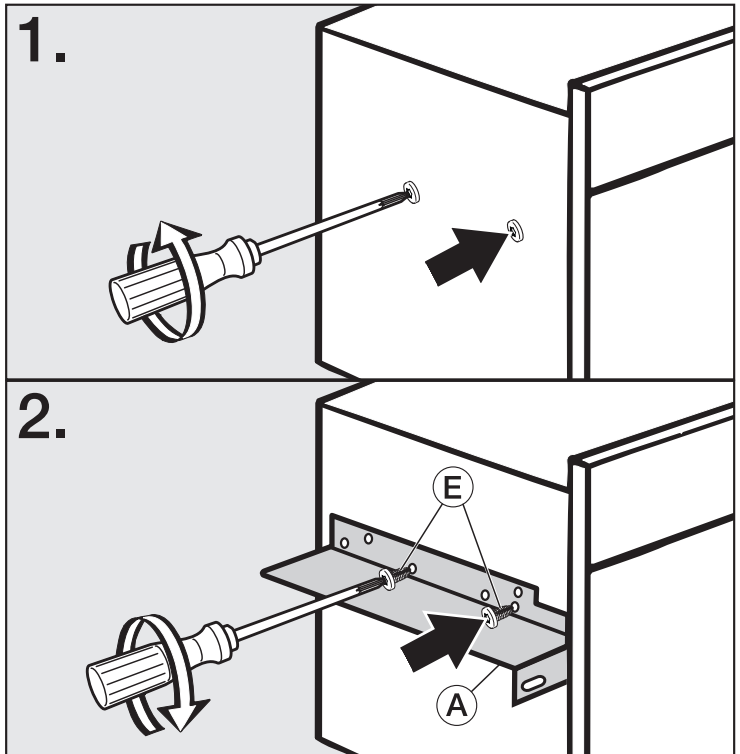


②

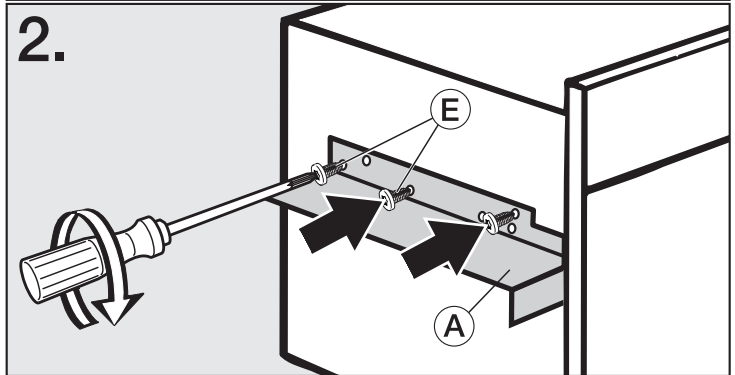
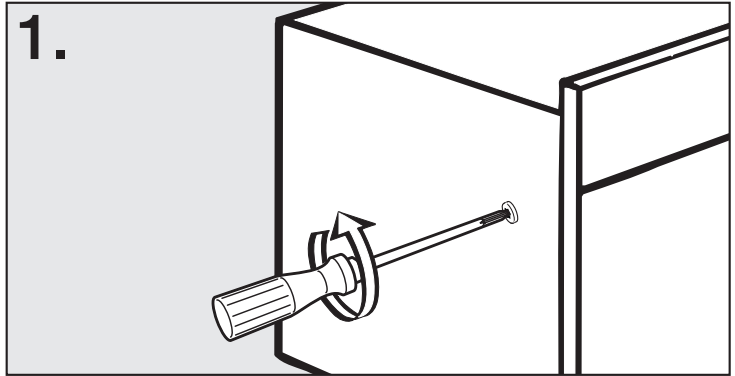
## H 40XX BM, H 50XX BM



## DG 40XX, DG 50XX

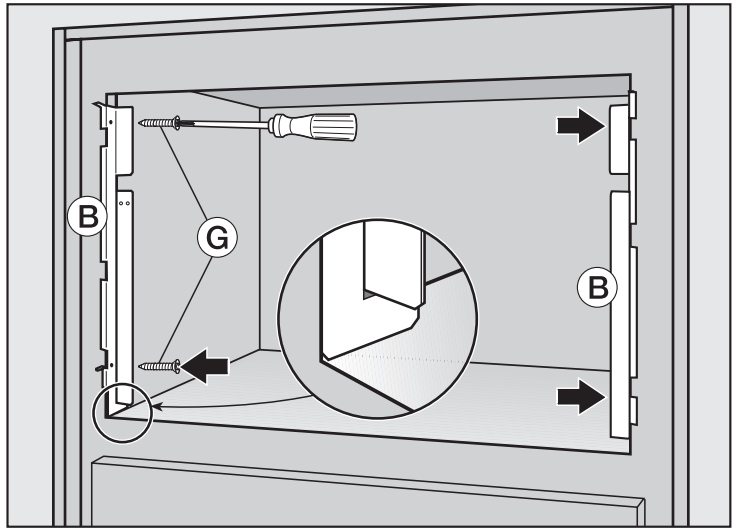


DGC 40XX, DGC 50XX



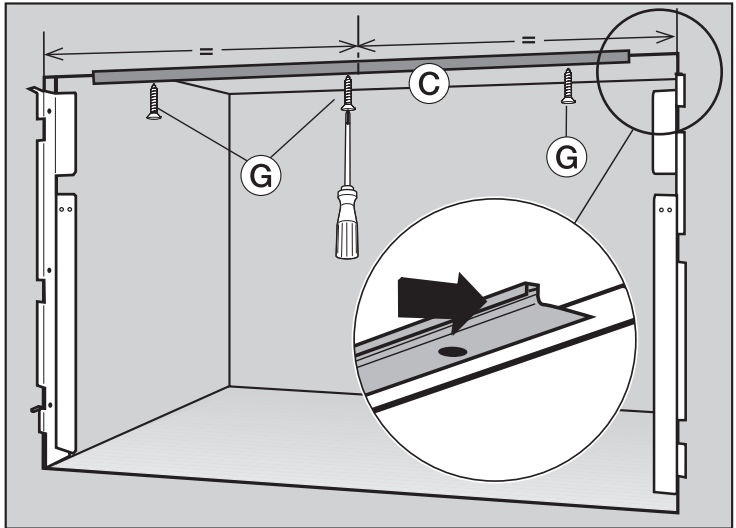
3

EBA 5470 (70 cm) / EBA 5476 (30") / EBA 5477 (30")



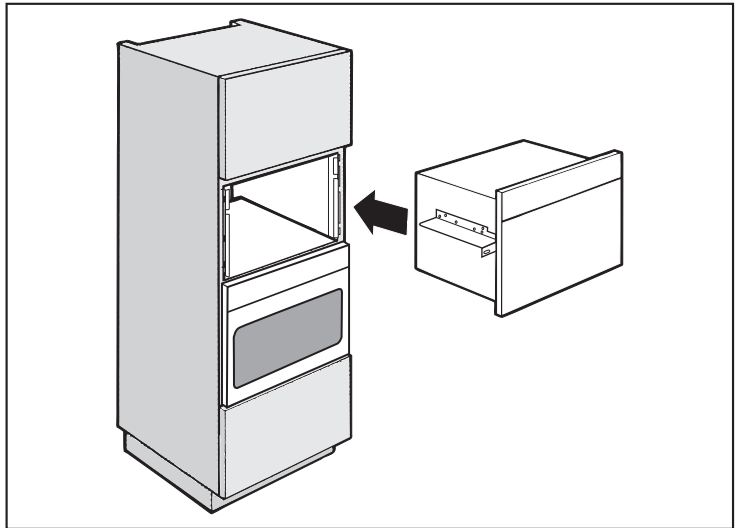
4

EBA 5476 (30") / EBA 5477 (30")



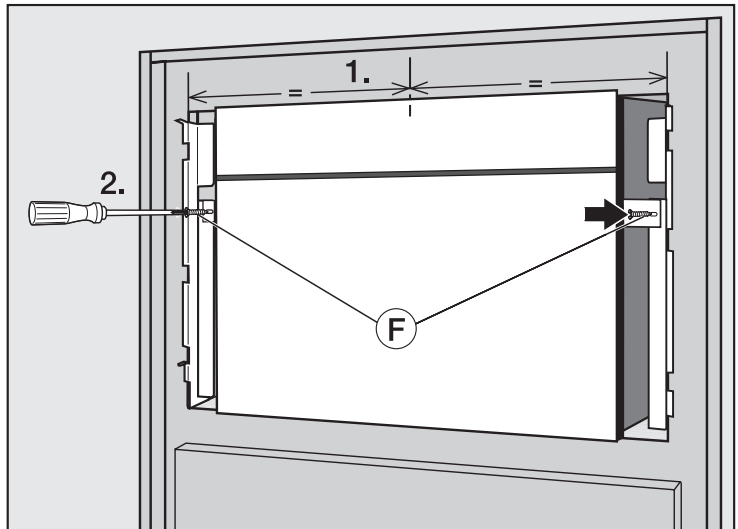
5

EBA 5470 (70 cm) / EBA 5476 (30") / EBA 5477 (30")



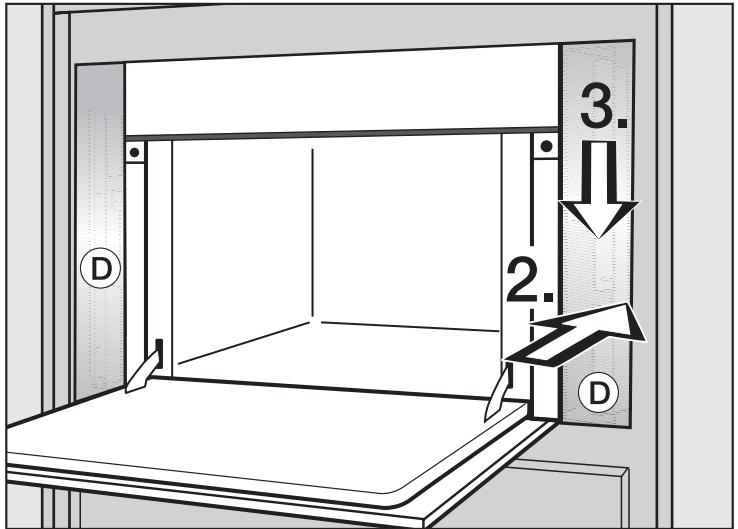
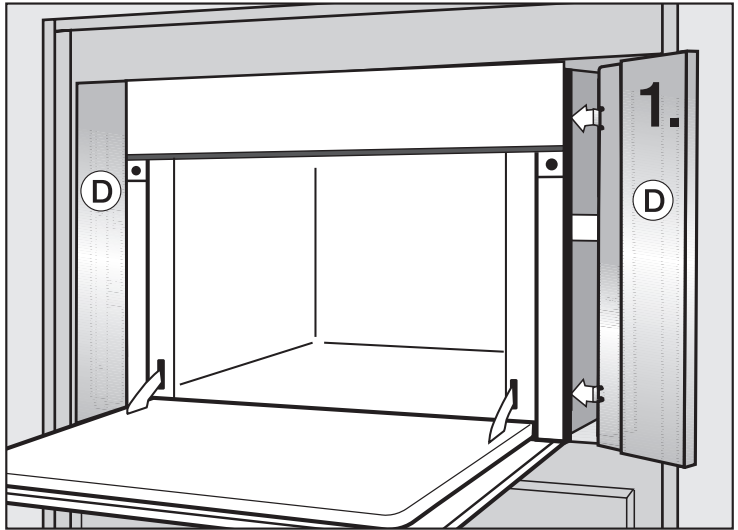
6

EBA 5470 (70 cm) / EBA 5476 (30") / EBA 5477 (30")



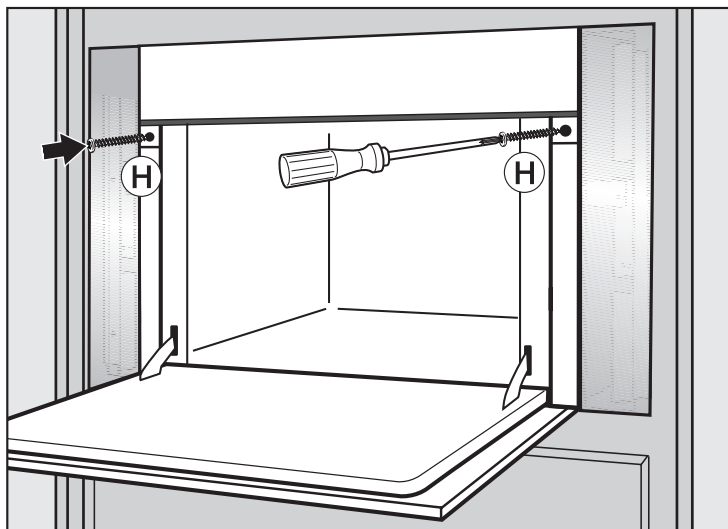
7

EBA 5470 (70 cm) / EBA 5476 (30") / EBA 5477 (30")



8

**EBA 5470 (70 cm) / EBA 5476 (30") / EBA 5477 (30")**



**en**

Please ensure that

- the top edge of the panel sits flush with the top edge of the appliance.
- the screw holes are aligned correctly.

- Hold the panel in position and secure using screws (H).

**fr**

Vérifiez que :

- l'arête supérieure du bandeau est bien alignée avec l'arête supérieure de l'appareil.
- Les trous de vissage sont l'un au-dessus de l'autre.

- Tenir le bandeau et le fixer avec les vis (H).

**es**

Tenga en cuenta que

- El borde superior del panel queda al nivel del borde superior del aparato.
- Los orificios de la unión roscada están unos encima de otros.

- Sostener el panel y fijar con los tornillos (H).







# Miele

## **United Kingdom**

Miele Co. Ltd.  
Fairacres, Marcham Road  
Abingdon, Oxon, OX14 1TW  
Tel: (01235) 554455  
Fax: (01235) 554477  
Customer Contact Centre Tel: (08707) 554466  
E-mail: [info@miele.co.uk](mailto:info@miele.co.uk)  
Internet: [www.miele.co.uk](http://www.miele.co.uk)

## **Australia**

Miele Australia Pty. Ltd.  
ABN 96 005 635 398  
1 Gilbert Park Drive, Knoxfield, VIC 3180  
Tel: (03) 9764 7130, Fax: (03) 9764 7149  
Internet: [www.miele.com.au](http://www.miele.com.au)

## **China**

Miele Shanghai  
Suite 4105-06, Plaza 66  
1266 Nanjing Road West  
Jing An District  
Shanghai 200040, PRC  
Tel: +86 21 6288 4200, Fax: +86 21 6288 4100  
E-mail: [mieleshanghai@cn.miele.com](mailto:mieleshanghai@cn.miele.com)  
Internet: [www.miele.cn](http://www.miele.cn)

## **Hong Kong**

Miele (Hong Kong) Limited  
AIA Plaza, 24<sup>th</sup> Floor  
18 Hysan Avenue  
Causeway Bay  
Tel: +852- 2610-1331, Fax: +852-2610-1013  
E-mail: [mielehk@miele.com.hk](mailto:mielehk@miele.com.hk)  
Internet: [www.miele.hk](http://www.miele.hk)

## **India**

Miele Appliances India Pvt. Ltd.  
Ground Floor, Copia Corporate Suites  
Plot No. 9, Jasola  
New Delhi – 110025  
Tel: 011-46 900 000, Fax: 011-46 900 001  
E-mail: [customercare@miele.in](mailto:customercare@miele.in)  
Internet: [www.miele.in](http://www.miele.in)

## **Ireland**

Miele Ireland Ltd.  
Broomhill Road, Tallaght, Dublin 24  
Tel: (01) 461 0710, Fax: (01) 461 07 97  
E-Mail: [info@miele.ie](mailto:info@miele.ie)  
Internet: [www.miele.ie](http://www.miele.ie)

## **New Zealand**

Miele New Zealand Limited  
Unit L, 10-20 Sylvia Park Road  
Mt. Wellington, 1060, Auckland, NZ  
Tel: 0800 264 353, Fax: 0800 463 453  
Internet: [www.miele.co.nz](http://www.miele.co.nz)

## **Singapore**

Miele Southeast Asia  
Miele Pte. Ltd.  
163 Penang Road  
# 04 - 02/03 Winsland House II  
Singapore 238463  
Tel: +65 6735 1191, Fax: +65 6735 1161  
E-Mail: [infosea@miele.com.sg](mailto:infosea@miele.com.sg)  
Internet: [www.miele.sg](http://www.miele.sg)

## **South Africa**

Miele (Pty) Ltd  
63 Peter Place, Bryanston 2194  
P.O. Box 69434, Bryanston 2021  
Tel: +27 (0) 11 548-1900  
Fax: +27 (0) 11 548-1935  
E-mail: [info@miele.co.za](mailto:info@miele.co.za)  
Internet: [www.miele.co.za](http://www.miele.co.za)

## **United Arab Emirates**

Miele Appliances Ltd.  
P.O. Box 11 47 82  
Gold & Diamond Park  
Sheikh Zayed Road  
Building 6 / Offices Nos. 6-214 to 6-220  
Dubai  
Tel: +971-4-341 84 44  
Fax: +971-4-341 88 52  
E-Mail: [info@miele.ae](mailto:info@miele.ae)  
Internet: [www.miele.ae](http://www.miele.ae)

**USA:**

Miele, Inc.  
9 Independence Way  
Princeton, NJ 08540  
Phone: 800-843-7231  
609-419-9898  
Fax: 609-419-4298  
Technical Service: 800-999-1360  
[www.miele.com](http://www.miele.com)

**Canada:**

Miele Limited/Miele Limitée  
161 Four Valley Drive  
Vaughan, ON L4K 4V8  
Phone/Téléphone : 800-643-5381  
905-660-9936  
Fax/Télécopieur : 905-532-2290  
[www.miele.ca](http://www.miele.ca)  
[customercare@miele.ca](mailto:customercare@miele.ca) (general and technical enquiries/questions générales et Service technique)  
[professional@miele.ca](mailto:professional@miele.ca) (commercial enquiries/questions commerciales)

**México**

Miele, S. A. de C. V.  
(German Centre; Local 0-4-2)  
Av. Santa Fe # 170 PB  
Col. Lomas de Santa Fe  
C. P. 01210, México D. F.  
Servicio post venta: Tel.: +52 (55) 85 03 98 70/73  
Fax: +52 (55) 85 03 98 74  
Correo electronico: [servicio@miele.com.mx](mailto:servicio@miele.com.mx)  
[www.miele.com.mx](http://www.miele.com.mx)