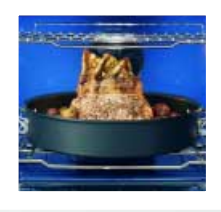




Electrolux | ICON



48" DUAL-FUEL FREESTANDING RANGE **E48DF76EPS**
professional series



shown with optional 24" backsplash

48" Dual-Fuel Freestanding Range

- Product Weight – 540 Lbs.
- Electrical Requirements – 240 Volts AC, 4-wire, 60 Hertz, 50 Amps Dedicated Circuit
- Total Connected Load – 10.0 kW (42 Amps)
- Always consult local and/or national electric and gas codes.
- Range ships with 3/4" factory regulator.
- Lp conversion kit supplied.
- Overhead cabinetry should not exceed a 13" maximum depth.
- Allow 30" minimum clearance between top of rangetop and bottom of unprotected wood or metal overhead cabinetry.
- Allow 10" minimum clearance from edge of rangetop to nearest combustible wall on either side of unit.
- Allow 24" minimum clearance when bottom of wood or metal overhead cabinet is protected by not less than 1/8" flame-retardant millboard covered with not less than No.28 MGS sheet steel, 0.015" stainless steel, 0.024" aluminum or 0.020" copper.
- To reduce risk of fire when using overhead cabinetry, install range hood that projects horizontally a recommended minimum of 5" beyond bottom of cabinets.

Note: Refer to Product Installation Guide for detailed instructions on the web at www.electroluxusa.com.

Smooth-Glide™ Oven Racks

Imagine oven racks that glide with unparalleled ease and extend fully for effortless access to your meal. We designed a centered easy-grip handle and a patented ball-bearing rack system for smooth-gliding performance with the touch of a finger.

Six Burners, Interlocking Grates

Designed for cooking multiple dishes at varying temperatures on a single rangetop. Interlocking grates spread weight over a broad area providing an ultrastable cook surface.

Third Element European Convection System

By adding a third cooking element and a convection fan, heat is distributed faster and more evenly throughout the oven. Cooking every meal to perfection has never been easier.

Vantage Flame™

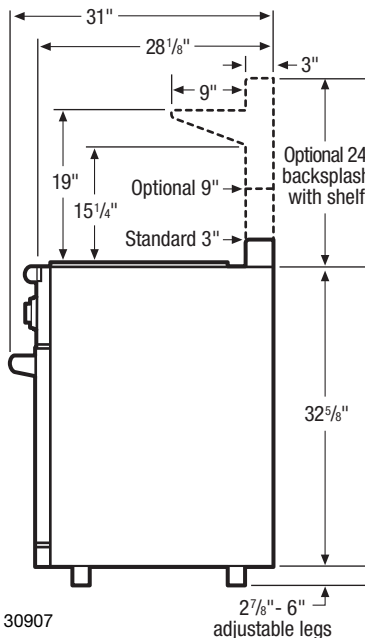
The automatic re-ignition feature allows the ignitors to spark spontaneously should the flame go out or become severely distorted by a draft, providing ease-of-mind while cooking.

Sealed Cooktop Spill-Basin

Cleanup is convenient with individual black porcelain-coated areas beneath each burner to catch spills.

24" Optional Backsplash

The optional 24" stainless steel backsplash protects your walls from accidental cooking spills or splashes while enhancing the professional appearance of your Electrolux ICON™ freestanding range. The heavy-duty 9" shelf provides easy access to and convenient storage of cooking ingredients, spices and pots and pans.



48" DUAL-FUEL FREESTANDING RANGE

CONTROL PANEL FEATURES

Electronic Oven Control	Yes
Formed Stainless Steel Platform	Yes
Large Professional Skirted Knobs with Bezel	10

COOKTOP

Sealed Power Burner™ – 17,000 BTU	2
Sealed Burner™ – 15,000 BTU	2
Sealed Precision Burner™ – 8,500 - 850 BTU	2
Interlocking Grates	3
Electronic Ignition with Auto Re-Ignition	Yes

LARGE OVEN CAVITY

Capacity	4.6 Cu. Ft.
Bake Element	3400 Watt
Broil Element	4000 Watt
Convection Element	2200 Watt
Cobalt Blue Interior	Yes
3rd Element European Convection System	Yes
Self-Clean with Door Lock	Yes
Oven Light	2
Eight-Pass Bake & Broil	Yes
Smooth-Glide™ Racks	3
Conventional Rack	1

SMALL OVEN CAVITY

Capacity	2.6 Cu. Ft.
Bake Element	2100 Watt
Broil Element	3000 Watt
Convection Element	2200 Watt
Self-Clean with Door Lock	Yes
Oven Light	1
Heavy-Duty Oven Racks	2

ADDITIONAL FEATURES

3" Stainless Steel Backsplash	Yes
Full Stainless Steel Side Panels	Yes
Professional Handle	Yes
Fully Adjustable, Heavy-Duty Legs	Yes

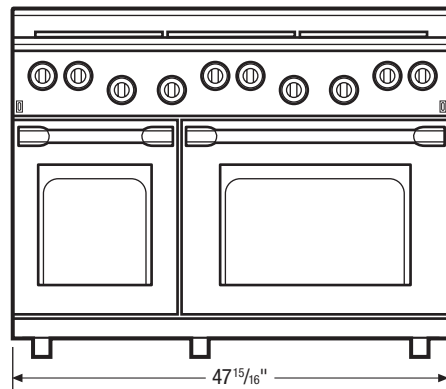
ACCESSORIES

Broil Pan and Insert	Included
Stainless Steel Cleaner	Included
Griddle	Included
Wok Ring	Included
Simmer Plate	Included
Black Knobs	
Black Burner Knob	Optional
Black Thermostat Knob	Optional
Black Oven Selection Knob	Optional
Backsplash –	
9" Stainless Steel – ACCBG09-48	Optional
24" Stainless Steel with 9" Shelf – ACCBG24-48	Optional
Stainless Steel Kick Plate – KIKPLT48	Optional

SPECIFICATIONS

Cutout Dimensions –	
Height	32-5/8"
Width	48-1/8"
Depth	24"
LP Conversion Kit	Included
Voltage Rating	240V / 50 Amp
Product Weight	540 Lbs.
Shipping Weight	600 Lbs.
UPC (0-12505-)	53958-9

NOTE: Always consult local and/or national electric codes. Refer to Product Installation Guide for detailed installation instructions on the web at www.electroluxusa.com.



High standards of quality at Electrolux Home Products mean we are constantly working to improve our products. We reserve the right to change specifications or discontinue models without notice.



USA • 250 Bobby Jones Expressway • Augusta, GA 30907
1-877-4electrolux (1-877-435-3287) • www.electroluxusa.com

CANADA • 5855 Terry Fox Way • Mississauga, ON L5V 3E4
1-800-668-4606 • www.electroluxca.com