



42" BUILT-IN REFRIGERATOR **E42BS75EPS**  
professional series



**42" Built-In Refrigerator Specifications**

- Product Weight – 610 Lbs.
- Voltage Rating – 120V/60 Hz/15 or 20 Amps
- Electrical supply with grounded branch circuit or circuit breaker recommended. Install grounded 3-prong electrical receptacle recessed into rear wall. (See Local Electrical Codes.)
- Cutout must be prepared with electrical and water supply.
- Water line can enter opening through floor or rear wall. Copper tubing recommended between cold water line and water connection location. Water line tubing recommended is 48" minimum length by 1/4" diameter. Installation of easily accessible shutoff valve in water line required.
- Optimum door swing factory set for 130°. When installing next to wall where handle may make contact, allow 4" minimum clearance for 90° door swing. At 90° door stop position, drawer access will be maintained but removal will be restricted.
- Refrigerator must be placed on level surface of hard material, same height as flooring. Surface must support approximately 1500 lbs. when fully loaded. Unit equipped with 4-point leveling.

Note: Refer to Product Installation Guide for detailed instructions on the web at [www.electroluxusa.com](http://www.electroluxusa.com).

**True Built-In Side-By-Side**

Flush stainless steel dispenser fascia, toe kick and grill cover blend harmoniously with the exterior of this slim profile refrigerator to create a true built-in look.

**PureAdvantage™ Filtration System**

The most advanced water filtration system available offers cleaner, fresher ice and water. And it is simple to operate, providing a light that alerts when the filter needs to be changed. With one touch, the drip-free cartridge is replaced.

**Dynamic Cool™ with Easy Set™ Digital Temperature Control System**

Sensor-controlled chilling with dual evaporator cooling system. Amazingly consistent interior temperature will keep your food fresher longer.

**Showcase Interior Illumination**

Tri-level lighting with ultrawhite bulbs reduces shadows and illuminates contents for easy visibility regardless of shelf placement.

**Easy Access Ice Maker Door**

Ice and water are accessible from inside the freezer door, allowing you to fill larger containers effortlessly.

**SpillSafe™ Full-Depth Shelving**

Shelves contain spills of up to 24 ounces for quick and easy cleanup and fully extend for complete access to all contents.

**Express Ice™**

Creates ice according to your family's needs with the touch of a button.

**42" BUILT-IN REFRIGERATOR**

**CAPACITIES**

Total Capacity	25.2 Cu. Ft.
Fresh Food Volume	15.6 Cu. Ft.
Freezer Volume	9.6 Cu. Ft.

**ICE / WATER DISPENSER**

Electronic Touch Control	Yes
Night Light	Yes
Temperature Display	Yes
Crushed/Cubes/Water	Yes
Express Ice™	Yes
Lock	Yes
Filter Reset	Yes
Interior Easy Access Door	Yes

**FRESH FOOD CONVENIENCES**

Filtration System	PureAdvantage™
Filter Location	Front
Door Ajar Alarm	Yes
SpillSafe™ Shelving	3
Smooth-Glide™ Crisper Drawers	3
Humidity Controls	2
1-Gallon Fixed Door Bin	1
2-Liter Adjustable Door Bin	3
Dairy Compartment with Clear Door	1
Door Bin Snugglers	3
Showcase Interior Illumination	Yes
Dynamic Cool™ Digital Temperature Control System	Yes

**FREEZER CONVENIENCES**

Automatic Ice Maker with Ice Server	Factory Installed
Smooth-Glide™ Baskets	2
Fixed Door Bin	3
Dual-Level Lighting	Yes

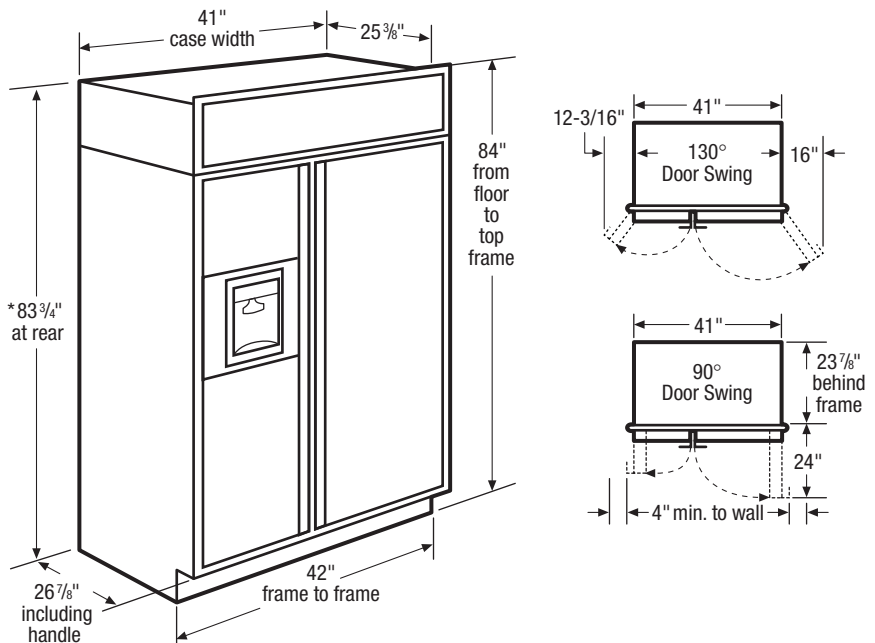
**INSTALLATION**

Adjustable Rollers	Yes
Door Stops	Yes

**SPECIFICATIONS**

Cutout Dimensions –	
Height	83-1/2" min. 84-1/2" max.
Width	41-1/2"
Depth	24"
Product Weight	610 Lbs.
Shipping Weight	630 Lbs.
UPC (0-12505-)	69166-9

NOTE: Always consult local and/or national electric codes. Refer to Product Installation Guide for detailed installation instructions on the web at [www.electroluxusa.com](http://www.electroluxusa.com).



USA • 250 Bobby Jones Expressway • Augusta, GA 30907  
1-877-4electrolux (1-877-435-3287) • [www.electroluxusa.com](http://www.electroluxusa.com)

CANADA • 5855 Terry Fox Way • Mississauga, ON L5V 3E4  
1-800-668-4606 • [www.electroluxca.com](http://www.electroluxca.com)