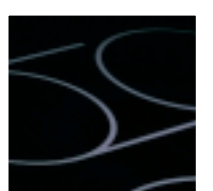




Electrolux | ICON



36" ELECTRIC SLIDE-IN COOKTOP **E36EC75ESS**



### 36" Electric Slide-In Cooktop Specifications

- Product Weight – 68 Lbs.
- Connected Load (kW Rating) – 240/208 Volts = 11.8/8.8 kW
- Single phase 3- or 4-wire cable, 120/240 or 120/208 Volt, 60 Hertz AC only electrical supply with ground required on separate circuit fused on both sides of line.
- Amps @ 240/208 Volts = 49.2/42.6 Amps
- Always consult local and/or national electric codes.
- Respect critical dimensions as noted for proper installation of cooktop.
- Allow 2" space below armoured cable opening to clear electrical cable and allow space for installation of junction box on wall at back of cooktop.
- Allow 30" minimum clearance between top of cooktop and bottom of unprotected wood or metal overhead cabinetry.
- Allow 24" minimum clearance when bottom of wood or metal overhead cabinet is protected by not less than 1/8" flame-retardant millboard covered with not less than No. 28 MGS sheet steel, 0.015" stainless steel, 0.024" aluminum or 0.020" copper.
- Allow 1" minimum clearance between rear edge of cutout and nearest combustible surface above countertop.
- Allow 7-1/2" minimum clearance from edge of cooktop to nearest combustible wall on either side of unit.
- It is recommended that drawers not be used beneath cooktop.
- Overhead cabinetry should not exceed a 13" maximum depth.
- To reduce risk of fire when using overhead cabinetry, install range hood that projects horizontally a recommended minimum of 7" beyond bottom of cabinets.
- When replacing an existing cooktop with countertop cutout deeper than 7-1/4" and less than 8-1/2", order free Depth Adjustment Filler Kit (903051-9010).
- Optional 9" Stainless Steel Backsplash Kit available (903048-9010).
- Optional Black Knobs Kit available (903049-9010).

**Note:** Refer to Product Installation Guide for detailed instructions or visit us on the web at [www.electroluxusa.com](http://www.electroluxusa.com).

### Ceramic Smoothtop Glass

Glass cooktop is flat, smooth and easy to clean and maintain.

### Expandable, Flexible Six Burner Configuration

Concentric rings and bridge elements are clearly marked on the surface. Combinations allow the user to cook with a variety of pan shapes and sizes at up to 4400 watts.

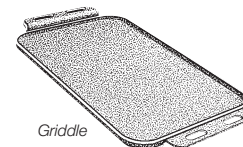
### Beveled Front Controls

Ergonomically designed for visibility and comfort. Large, professional knobs are clearly scaled to eliminate guesswork cooking.

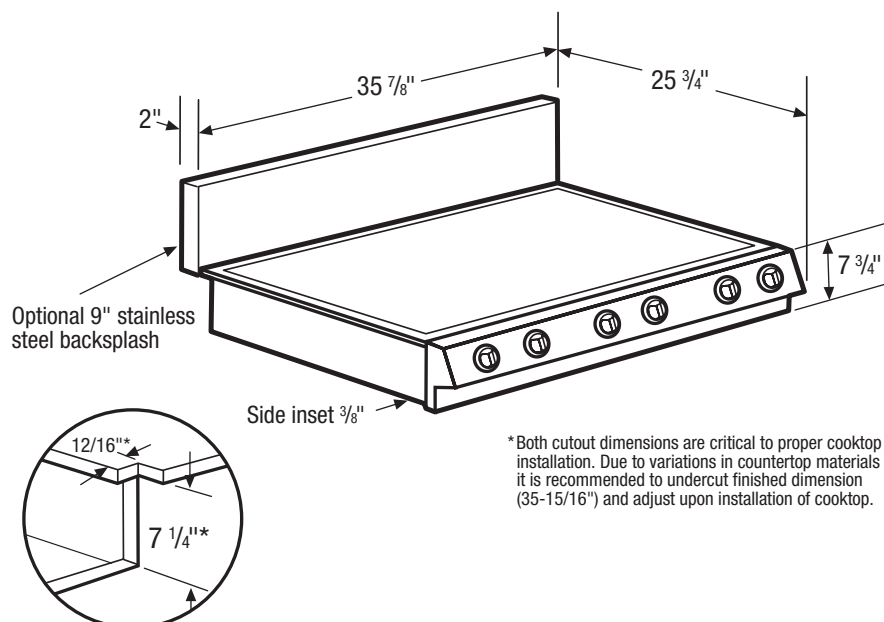
### Included Accessories

#### Versatile Griddle Plate

No cooktop is complete without this specially designed griddle. Coated with a non-stick surface, it is quick to clean and extremely durable. Ideal for breakfast, lunch and dinner.



Griddle



\*Both cutout dimensions are critical to proper cooktop installation. Due to variations in countertop materials it is recommended to undercut finished dimension (35-15/16") and adjust upon installation of cooktop.

### 36" ELECTRIC SLIDE-IN COOKTOP

Configuration	6 Electric Burners
---------------	--------------------

### FEATURES

Black Ceramic Smoothtop Glass Surface	Yes
Large Professional Skirted Knobs with Bezel	6
6" Burner – 1200 W	2
6" to 9" Expandable Burner – 1000 W/2500 W	2
7" Bridge/7" Burner – 1800 W/2600 W (4400 W)	1
Hot Surface Indicator Light	6 Positions
Spill Control Cooktop	Yes

### ACCESSORIES

Griddle	Included
9" Stainless Steel Backsplash Kit - 903048-9010	Optional
Black Knob Kit - 903049-9010	Optional

### SPECIFICATIONS

Power Cable Location	Right Rear
Connected Load Rating - 240/208 Volts	11.8/8.8 kW
Electrical – Single phase 3- or 4-wire cable, 120/240 V or 120/208 V, 60 Hz AC only electrical supply with ground on separate circuit fused on both sides of line	Required
Armored Electrical Cable	Included
Product Weight	68 Lbs.
Shipping Weight	72 Lbs.
UPC (0-12505-)	

NOTE: Always consult local and/or national electric codes. Refer to Product Installation Guide for detailed installation instructions or visit us on the web at [www.electroluxusa.com](http://www.electroluxusa.com).