

Built-In All Freezer

E32AF75GTT panel ready



Built-In Side-by-Side Configuration



Shown with Panel-Ready companion, All-Refrigerator model E32AR75GTT and optional coordinated Double Collar Kit (DUOCOLLKIT).

Shown with optional coordinated Single Louvered Trim Kit (SFRRSRKIT).



PureAdvantage™ Air Filtration System

Continuously filters the circulated air to maintain a fresher, cleaner interior. A status light alerts when the filter needs to be replaced, then with one touch, the filter exchange is made simple and easy.



Theatre Lighting

Transition lighting that is so thoughtfully designed that it gradually illuminates the interior of the freezer with soft but ample light.



Smooth-Glide™ Full-Extension System

Freezer storage drawers slide in and out with ease, extending completely for convenient access to stored food.



Tilt-Out Wire Door Bins

Help you store a variety of frozen food items in a smaller space.

BUILT-IN PANEL-READY* ALL FREEZER

ENERGY STAR®	Yes
CAPACITIES	
Total Capacity (Cu.Ft.)	16.8
Total Shelf Area (Sq.Ft.)	17
INTERIOR CONVENIENCES	
PureAdvantage™ Air Filter	Yes
Encapsulated Sliding Glass Shelves	3
Fixed Glass Shelf	1
Smooth-Glide™ Full-Extension Storage Drawers	2
3-Position Adjustable Storage Drawer Dividers (per Drawer)	2
Tilt-Out Tall Door Wire Bin	1
Tilt-Out Short Door Wire Bins	2
White Adjustable Door Bins	2
Interior Light with Dual 40W Short Blue Bulbs	Yes
Theatre Lighting	Yes
Mid-Level Lighting with Dual 25W Short Blue Bulbs	Yes
Dynamic Cool™ Digital Temperature Control System	Yes
Ice Maker**	Yes
Door Closer	Yes

ACCESSORIES

Single Louvered Trim Kit – SFRRSRKIT	Optional
Double Louvered Trim Kit – DUORSRKIT	Optional
Double Collar Kit – DUOCOLLKIT	Optional

SPECIFICATIONS

Overall Exterior Dimensions –	
Height – Not Including 21/32" hinge cover (Cabinet)	64-5/8"
(Cabinet Including Optional Trim Kit Riser)	68-3/4" min. 69-3/4" max.
Width	32"
Depth (Including Door without Custom Panel) (with 90° Door Open)	26-3/4" 57-1/4"
Voltage Rating	115V/60 Hz/15 or 20A
Connected Load (kW Rating) @ 115 Volts‡	0.55
Power Cord Location	Right Bottom Rear
Water Line Inlet Location	Left Top Rear
Product Weight	241 Lbs.
Shipping Weight (Approx.)	268 Lbs.
UPC (0-12505-)	22543-7

* Handle not included with panel-ready model.

** Water filtration for All Freezer ice maker located in All Refrigerator.

‡ An electrical supply with grounded three-prong receptacle is required. The power supply circuit must be installed in accordance with current edition of National Electrical Code (NFPA 70) and local codes & ordinances.

NOTE: Always consult local and/or national electric and plumbing codes. Refer to Product Installation Guide for detailed installation instructions on the web at electroluxusa.com.

Specifications subject to change.

Optional Trim Kits

Single Louvered Trim Kit (SFRRSRKIT)

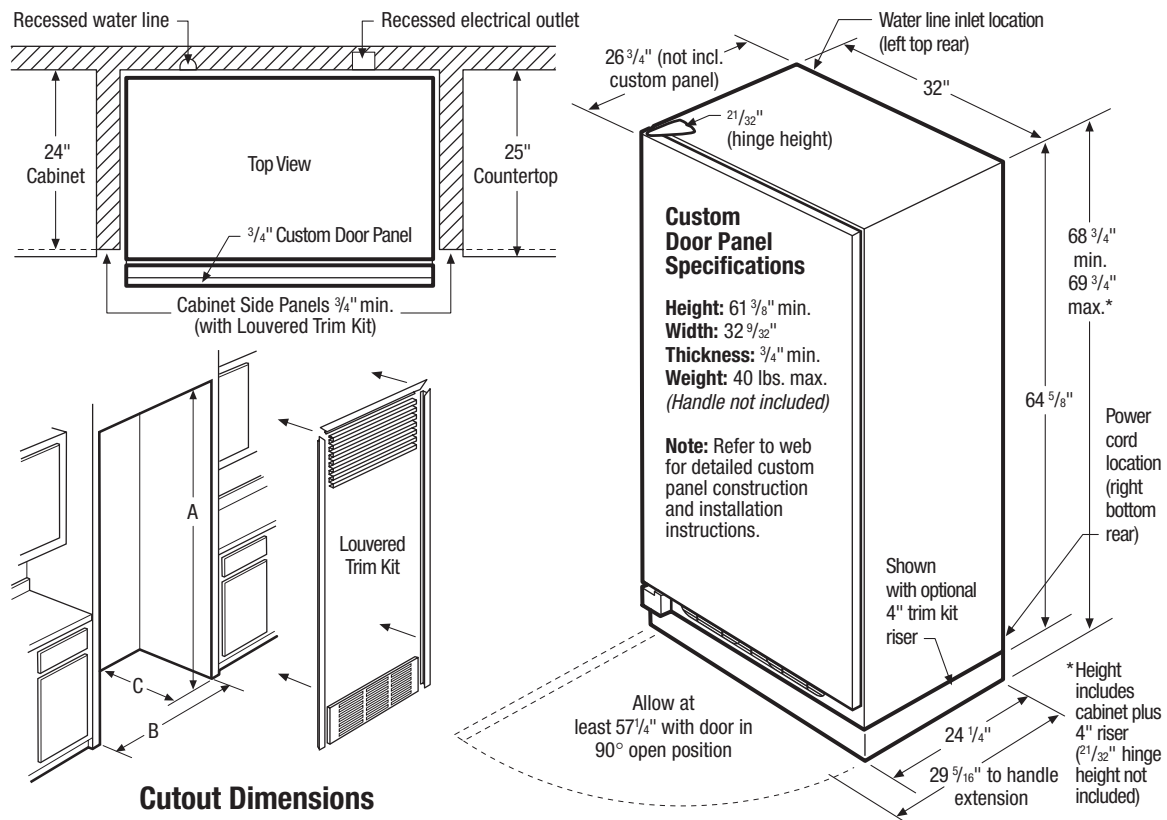
For single All-Freezer installation. Includes louvered top grille and vented, louvered toe kick, 4" riser with leveling system and side/top trim pieces.

Double Louvered Trim Kit (DUORSRKIT)

For All-Freezer/All-Refrigerator side-by-side installation. Includes full-width, louvered top grille and vented, louvered toe kick, two 4" risers with leveling systems and side/top trim pieces.

Double Collar Kit (DUOCOLLKIT)

For All-Freezer/All-Refrigerator side-by-side installation. Includes full-width, vented, louvered toe kick, 4" riser with leveling system and side/top trim pieces.



<p>Built-In All Freezer <i>(without Trim Kit & Riser)</i></p> <p>Single Unit Installation (A) 66" (B) 33" (C) 25 1/4" min.*</p> <p>Double Unit Side-by-Side Installation (A) 66" (B) 66" (C) 25 1/4" min.*</p>	<p>Built-In All Freezer <i>(with Louvered Trim Kit & Riser)</i></p> <p>Single Unit Installation (A) 79" (B) 33" (C) 25 1/4" min.*</p> <p>Double Unit Side-by-Side Installation (A) 79" (B) 66" (C) 25 1/4" min.*</p>
--	--

*Minimum depth from cabinet's front face and requires recessed electrical outlet and water line.

Note: Optional Louvered Trim Kits and optional Double Collar Kit available for Built-In Panel-Ready All Freezer. For specifications and drawings, refer to Louvered Trim Kits Installation or Double Collar Kit (DUOCOLLKIT) Installation pages.

Built-In Panel-Ready All-Freezer Specifications

- Product Weight – approx. 241 Lbs. *(without wood panel)*
- An electrical supply with grounded three-prong receptacle is required. The power supply circuit must be installed in accordance with current edition of National Electrical Code (NFPA 70) and local codes & ordinances.
- Voltage Rating – 115V/60 Hz/15 or 20 Amps
- Connected Load (kW Rating) @ 115 Volts = 0.55kW
- Amps @ 115 Volts = 5 Amps
- Always consult local and/or national electric & plumbing codes.
- Remove all wall/floor molding prior to built-in installation.
- Water filter system for ice maker is located in All-Refrigerator model E32AR75GTT. For side-by-side installation, refer to web for details on ice maker water supply hookup. If All-Freezer unit is to be installed alone, direct plumbing recommended.
- When possible, recess copper water line and electrical outlet.
- Water line can enter opening through floor or rear wall. Copper tubing recommended between cold water line and water connection location. Water line tubing recommended is 48" minimum length by 1/4" diameter. Installation of easily accessible shutoff valve in water line required.
- To allow for ease of moving out side-by-side units after installation, 84" minimum length of coiled copper tubing recommended.
- When installing next to wall where handle *(not included)* may make contact, allow clearance for 90° door swing. At 90° door stop position, drawer access will be maintained but removal will be restricted.

- Freezer must be placed on level surface of hard material, same height as flooring. Surface must support approximately 650 lbs. when fully loaded. Unit equipped with 4-point leveling.
- If optional Single or Double Louvered Trim Kit is to be used, different cutout dimensions are required. *(Refer to cutout dimensions on this page and to Louvered Trim Kits Installation Specifications page.)*
- If optional Double Collar Kit is to be used, different cutout dimensions are required. *(Refer to Double Collar Kit DUOCOLLKIT Installation Specifications page.)*

Custom Door Panel Specifications

- Panel Dimensions – 61-3/8" min. H x 32-9/32" W x 3/4" min. D
- Panel Weight – 40 Lbs. max.
- Refer to web for detailed custom panel construction and installation instructions.

Note: Refer to Product Installation Guide for detailed instructions on the web at electroluxusa.com.

Optional Accessories

- Double Collar Kit – (DUOCOLLKIT).
- Single Louvered Trim Kit – (SFRRSRKIT).
- Double Louvered Trim Kit – (DUORSRKIT).

Built-In All Refrigerator

E32AR75GTT panel ready



Built-In Side-by-Side Configuration



Shown with Panel-Ready companion, All-Freezer model E32AF75GTT and optional coordinated Double Collar Kit (DUOCOLLKIT).

Shown with optional coordinated Single Louvered Trim Kit (SRRRSRKIT).



PureAdvantage™ Filtration Systems

The most advanced filtration systems available offer fresher, cleaner air, ice and water. Status lights alert when the air and water filters need to be replaced, then with one touch, the filter exchange is made simple and easy.



Theatre Lighting

Transition lighting that is so thoughtfully designed that it gradually illuminates the interior of the refrigerator with soft but ample light.



Extra-Wide Glass Shelves

Three glass slide-out shelves are encapsulated to contain spills and are large enough to hold a platter or serving tray up to 25-inches wide.



Smooth-Glide™ Full-Extension System

Crispers with adjustable dividers and deli drawer, slide in and out with ease, extending completely for convenient access to stored food.

BUILT-IN PANEL-READY* ALL REFRIGERATOR

ENERGY STAR® Yes

CAPACITIES

Total Capacity (Cu.Ft.)	16.51
Total Shelf Area (Sq.Ft.)	17.5

INTERIOR CONVENIENCES

PureAdvantage™ Water Filter**	Yes
PureAdvantage™ Air Filter	Yes
Encapsulated Sliding Glass Shelves	3
Fixed Glass Shelf	1
Smooth-Glide™ Full-Extension Crispers	2
Smooth-Glide™ Full-Extension Deli Drawer	1
3-Position Adjustable Crisper Dividers (per Crisper)	2
Clear Dairy Door	1
Clear 1-Gallon Removable Door Bin	1
Clear 2-Liter Adjustable Door Bin	4
Clear Tall Bottle Retainer	1
Clear Door Bin Snigger	1
Interior Light with Dual 40W Short Blue Bulbs	Yes
Theatre Lighting	Yes
Mid-Level Lighting with Dual 25W Short Blue Bulbs	Yes
Dynamic Cool™ Digital Temperature Control System	Yes
Door Closer	Yes

ACCESSORIES

Single Louvered Trim Kit– SRRRSRKIT	Optional
Double Louvered Trim Kit– DUORSRKIT	Optional
Double Collar Kit– DUOCOLLKIT	Optional

SPECIFICATIONS

Overall Exterior Dimensions –	
Height – Not Including 21/32" hinge cover (Cabinet)	64-5/8"
(Cabinet Including Optional Trim Kit Riser)	68-3/4" min. 69-3/4" max.
Width	32"
Depth (Including Door without Custom Panel) (with 90° Door Open)	26-3/4" 57-1/4"
Voltage Rating	115V/60 Hz/15 or 20A
Connected Load (kW Rating) @ 115 Volts†	0.55
Power Cord Location	Right Bottom Rear
Water Line Inlet Location	Left Top Rear
Product Weight	253 Lbs.
Shipping Weight (Approx.)	280 Lbs.
UPC (0-12505-)	22544-4

* Handle not included with panel-ready model.

** Provides water filtration for All Freezer ice maker.

† An electrical supply with grounded three-prong receptacle is required. The power supply circuit must be installed in accordance with current edition of National Electrical Code (NFPA 70) and local codes & ordinances.

NOTE: Always consult local and/or national electric and plumbing codes. Refer to Product Installation Guide for detailed installation instructions on the web at electroluxusa.com.

Specifications subject to change.

Optional Trim Kits

Single Louvered Trim Kit (SRRRSRKIT)

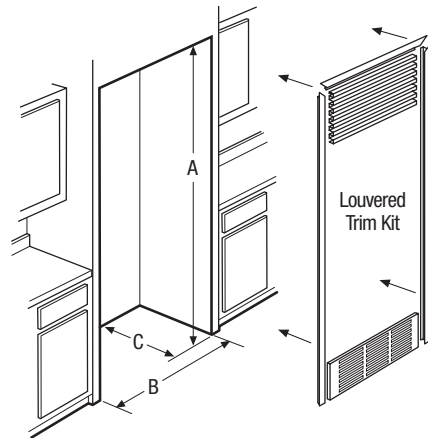
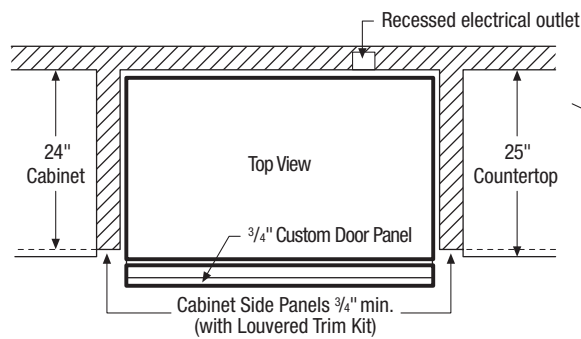
For single All-Refrigerator installation. Includes louvered top grille and vented, louvered toe kick, 4" riser with leveling system and side/top trim pieces.

Double Louvered Trim Kit (DUORSRKIT)

For All-Freezer/All-Refrigerator side-by-side installation. Includes full-width, louvered top grille and vented, louvered toe kick, two 4" risers with leveling systems and side/top trim pieces.

Double Collar Kit (DUOCOLLKIT)

For All-Freezer/All-Refrigerator side-by-side installation. Includes full-width, vented, louvered toe kick, 4" riser with leveling system and side/top trim pieces.



Cutout Dimensions

Built-In All Refrigerator (without Trim Kit & Riser)

Single Unit Installation

(A) 66" (B) 33" (C) 25 1/4" min.*

Double Unit

Side-by-Side Installation

(A) 66" (B) 66" (C) 25 1/4" min.*

Built-In All Refrigerator (with Louvered Trim Kit & Riser)

Single Unit Installation

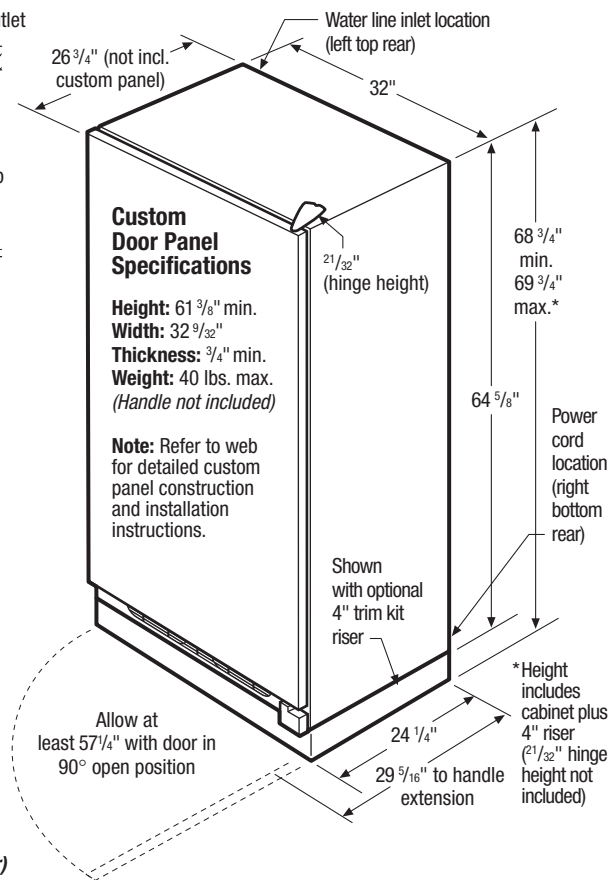
(A) 79" (B) 33" (C) 25 1/4" min.*

Double Unit

Side-by-Side Installation

(A) 79" (B) 66" (C) 25 1/4" min.*

*Minimum depth from cabinet's front face and requires recessed electrical outlet and water line.



Note: Optional Louvered Trim Kits and optional Double Collar Kit available for Built-In Panel-Ready All Refrigerator. For specifications and drawings, refer to Louvered Trim Kits Installation or Double Collar Kit (DUOCOLLKIT) Installation pages.

Built-In Panel-Ready All-Refrigerator Specifications

- Product Weight – approx. 253 Lbs. (without wood panel)
- An electrical supply with grounded three-prong receptacle is required. The power supply circuit must be installed in accordance with current edition of National Electrical Code (NFPA 70) and local codes & ordinances.
- Voltage Rating – 115V/60 Hz/15 or 20 Amps
- Connected Load (kW Rating) @ 115 Volts = 0.55kW
- Amps @ 115 Volts = 5 Amps
- Always consult local and/or national electric & plumbing codes.
- Remove all wall/floor molding prior to built-in installation.
- When possible, recess electrical outlet.
- Water filter system for All-Freezer model E32AF75GTT ice maker is located in All Refrigerator. For side-by-side installation, refer to web for details on ice maker water supply hookup. If All-Freezer unit is to be installed alone, direct plumbing recommended.
- When installing next to wall where handle (not included) may make contact, allow clearance for 90° door swing. At 90° door stop position, drawer access will be maintained but removal will be restricted.
- Refrigerator must be placed on level surface of hard material, same height as flooring. Surface must support approximately 650 lbs. when fully loaded. Unit equipped with 4-point leveling.

- If optional Single or Double Louvered Trim Kit is to be used, different cutout dimensions are required. (Refer to cutout dimensions on this page and to Louvered Trim Kits Installation Specifications page.)
- If optional Double Collar Kit is to be used, different cutout dimensions are required. (Refer to Double Collar Kit DUOCOLLKIT Installation Specifications page.)

Custom Door Panel Specifications

- Panel Dimensions – 61-3/8" min. H x 32-9/32" W x 3/4" min. D
- Panel Weight – 40 Lbs. max.
- Refer to web for detailed custom panel construction and installation instructions.

Note: Refer to Product Installation Guide for detailed instructions on the web at electroluxusa.com.

Optional Accessories

- Double Collar Kit – (DUOCOLLKIT).
- Single Louvered Trim Kit – (SRRRSRKIT).
- Double Louvered Trim Kit – (DUORSRKIT).

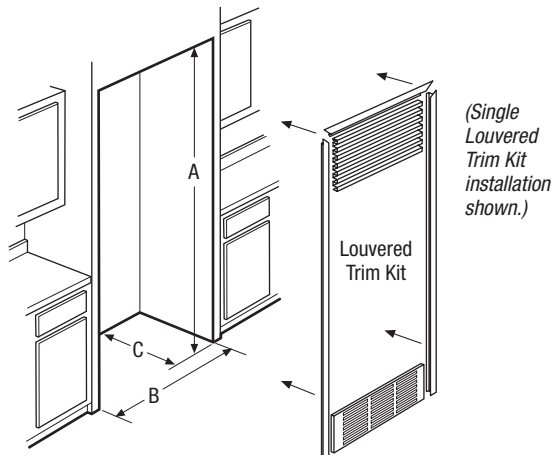
Louvered Trim Kits

Kits include: Louvered top grille and vented, louvered toe kick, 4" riser with leveling system and side/top trim pieces.

Single All-Freezer Kit (SFRRSRKIT)

Single All-Refrigerator Kit (SRRRSRKIT)

Double All-Freezer/All-Refrigerator Kit (DUORSRKIT)



Cutout Dimensions

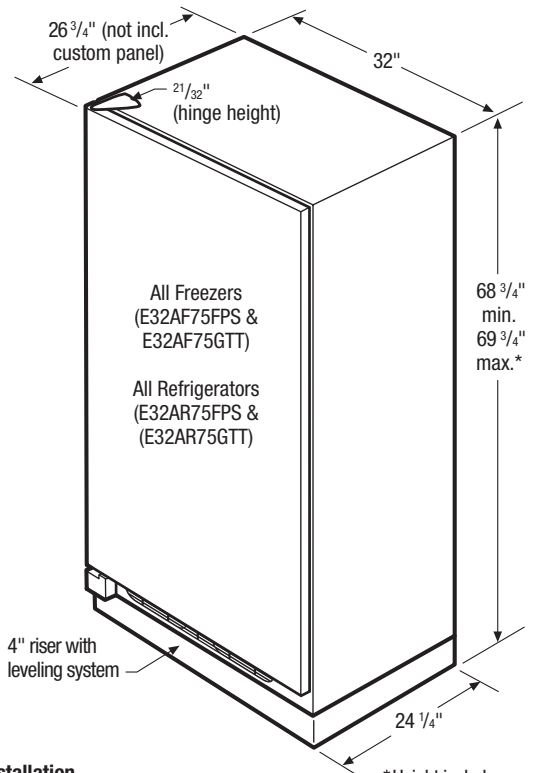
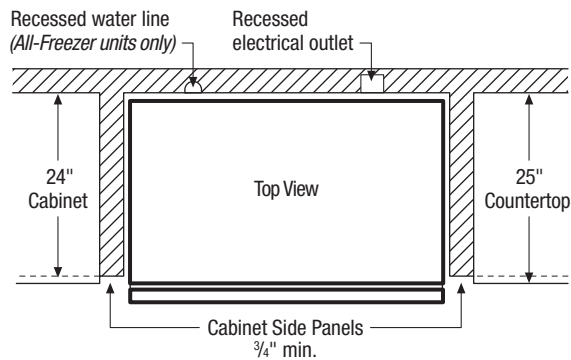
Single Unit Installation

(A) 79" (B) 33" (C) 25 1/4" min.*

Double Unit Side-by-Side Installation

(A) 79" (B) 66" (C) 25 1/4" min.*

*Minimum depth from cabinet's front face and requires recessed electrical outlet and water line.



All Freezers
(E32AF75FPS &
E32AF75GTT)

All Refrigerators
(E32AR75FPS &
E32AR75GTT)

68 3/4"
min.
69 3/4"
max.*

4" riser with
leveling system

*Height includes
cabinet plus 4" riser
(2 1/32" hinge height
not included)

Ice Maker Water Supply Hookup

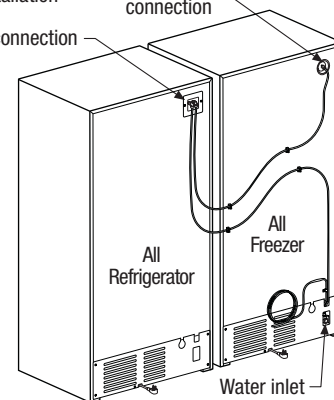
For All-Freezer/All-Refrigerator
Side-by-Side Installation

Water filter connection

Ice maker
connection

Note:
For single-unit
installation,
direct plumbing
to ice maker
recommended.

Refer to web
for details on
ice maker water
supply hookup.

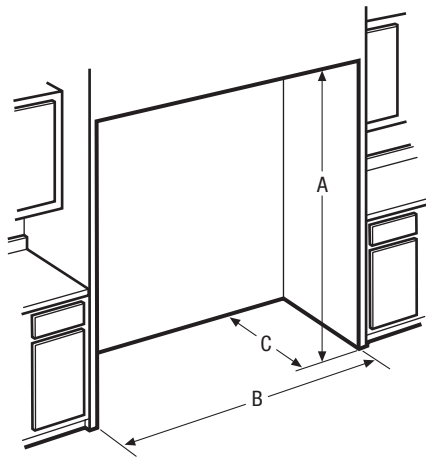


All-Freezer and All-Refrigerator Optional Louvered Trim Kits Specifications

- To use Single Louvered Trim Kit (SFRRSRKIT or SRRRSRKIT), an enclosure is required around All Freezer or All Refrigerator having an opening of 79" H x 33" W with a minimum depth of 25-1/4" from cabinet's front face and 3/4" minimum cabinet side panels.
- To use Double Louvered Trim Kit (DUORSRKIT), an enclosure is required around All Freezer and All Refrigerator having an opening of 79" H x 66" W with a minimum depth of 25-1/4" from cabinet's front face and 3/4" minimum cabinet side panels.
- Minimum 25-1/4" depth requires recessed electrical outlet and water line.

- Cabinet or soffit above unit must extend out to same depth as side panels.
- Minimum 7' x 8' clear floor space required for Single Trim Kit assembly, minimum 10' x 8' clear floor space required for Double Trim Kit assembly.
- For detailed All-Freezer and All-Refrigerator installations, refer to product specifications pages.

Note: Refer to Product Installation Guide for detailed instructions on the web at electroluxusa.com.



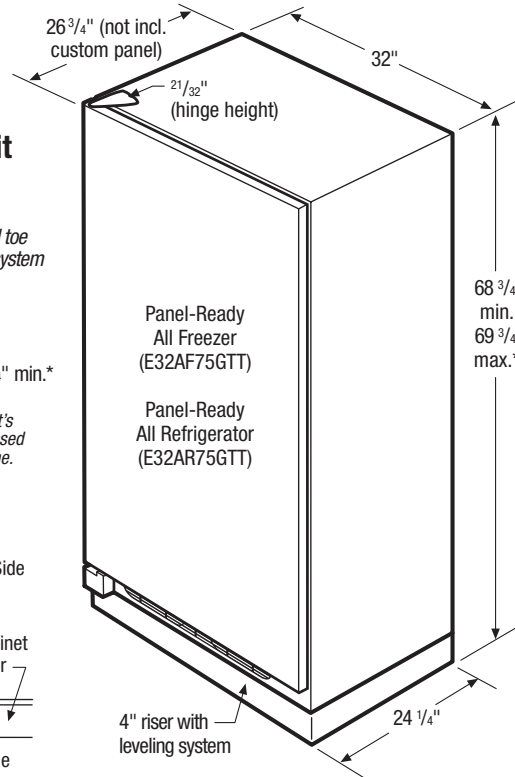
Double Collar Kit (DUOCOLLKIT)

Kit includes:
Full-width, vented, louvered toe kick, 4" riser with leveling system and side/top trim pieces.

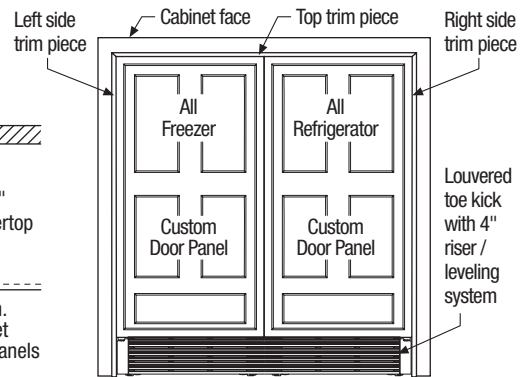
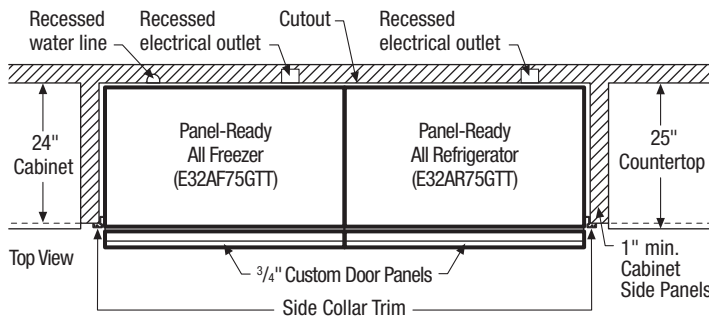
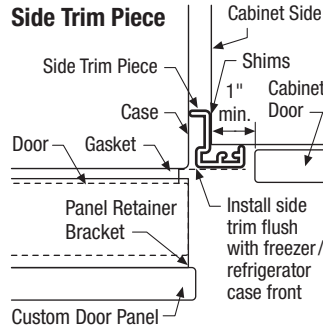
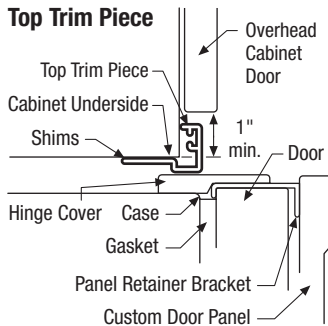
Cutout Dimensions

(A) 70 3/4" (B) 66" (C) 25 1/4" min.*

*Minimum depth from cabinet's front face and requires recessed electrical outlet and water line.



*Height includes cabinet plus 4" riser (2 1/32" hinge height not included)



Panel-Ready All-Freezer and All-Refrigerator Optional Double Collar Kit (DUOCOLLKIT) Specifications

- To use Double Collar Kit (DUOCOLLKIT), an enclosure is required around All Freezer and All Refrigerator having an opening of 70-3/4" H x 66"W with a minimum depth of 25-1/4" from cabinet's front face and 1" minimum cabinet side panels.
- Minimum 25-1/4" depth requires recessed electrical outlets and water lines.

- Cabinet or soffit above unit must extend out to same depth as side panels.
- Minimum 10' x 8' clear floor space required for Collar Kit assembly.
- For detailed Panel-Ready All-Freezer and All-Refrigerator installations, refer to product specifications pages.

Note: Refer to Product Installation Guide for detailed instructions on the web at electroluxusa.com.