

Warmer Drawer

E30WD75GSS designer series



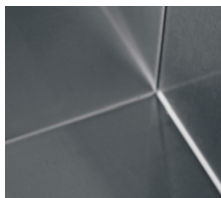
Smooth-Glide™ Full-Extension Warmer Drawer

Drawer slides in and out with ease, extending completely and safely for convenient access to prepared foods.



Flexible Temperature Control

The 450-watt heating element keeps food warm at a preferred serving temperature of anywhere from 80 to 210 degrees F. The blue LED panel is visible through the convenient display window located on the drawer front.



Stainless Steel Interior Design

Entire inner drawer cavity is constructed of smooth and durable, seamless stainless steel for easy cleanup.



Humidity Control

Allows adjustment of humidity levels to ensure that foods taste as they should even after reheating.

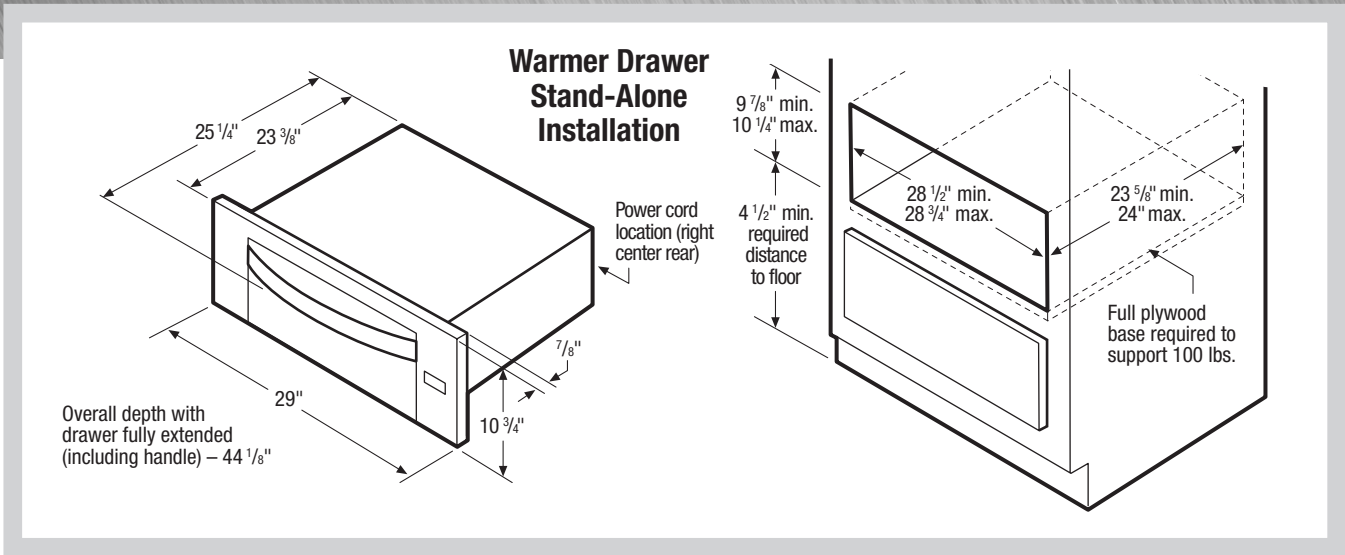
30" WARMER DRAWER

Capacity	1.6 Cu. Ft.
FEATURES	
Humidity Control	Yes
Heating Element (Watts)	450
Smooth-Glide™ Full-Extension Drawer	Yes
Stainless Steel Drawer Interior	Yes
Second-Tier Rack	Yes
ACCESSORIES	
ServeWare – 5304447729	Optional
SPECIFICATIONS	
Drawer Interior Dimensions –	
Height	6-1/2"
Width	20-15/16"
Depth	19-1/4"
Overall Exterior Dimensions –	
Height	10-3/4"
Width	29"
Depth (to Front Drawer Corner) (Fully Extended Including Handle)	23-3/8" 44-1/8"
Temperature Range	80°F – 210°F
Power Supply Connection Location	Right Center Rear
Voltage Rating	120V/60Hz/15A
Connected Load (kW Rating) @ 120 Volts†	0.45
Amps @ 120 Volts	3.75
Minimum Circuit Required (Amps)	15
60" Electrical Cable	Included
Approved for Under-Counter Installation	Yes
Product Weight	49 Lbs.
Shipping Weight (Approx.)	60 Lbs.
UPC (0-57112-)	09769-5

†For use on adequately wired 120V, dedicated circuit having 2-wire service with a separate ground wire. Appliance must be grounded for safe operation.

NOTE: Always consult local and/or national electric codes. Refer to Product Installation Guide for detailed installation instructions on the web at electroluxusa.com.

Specifications subject to change.



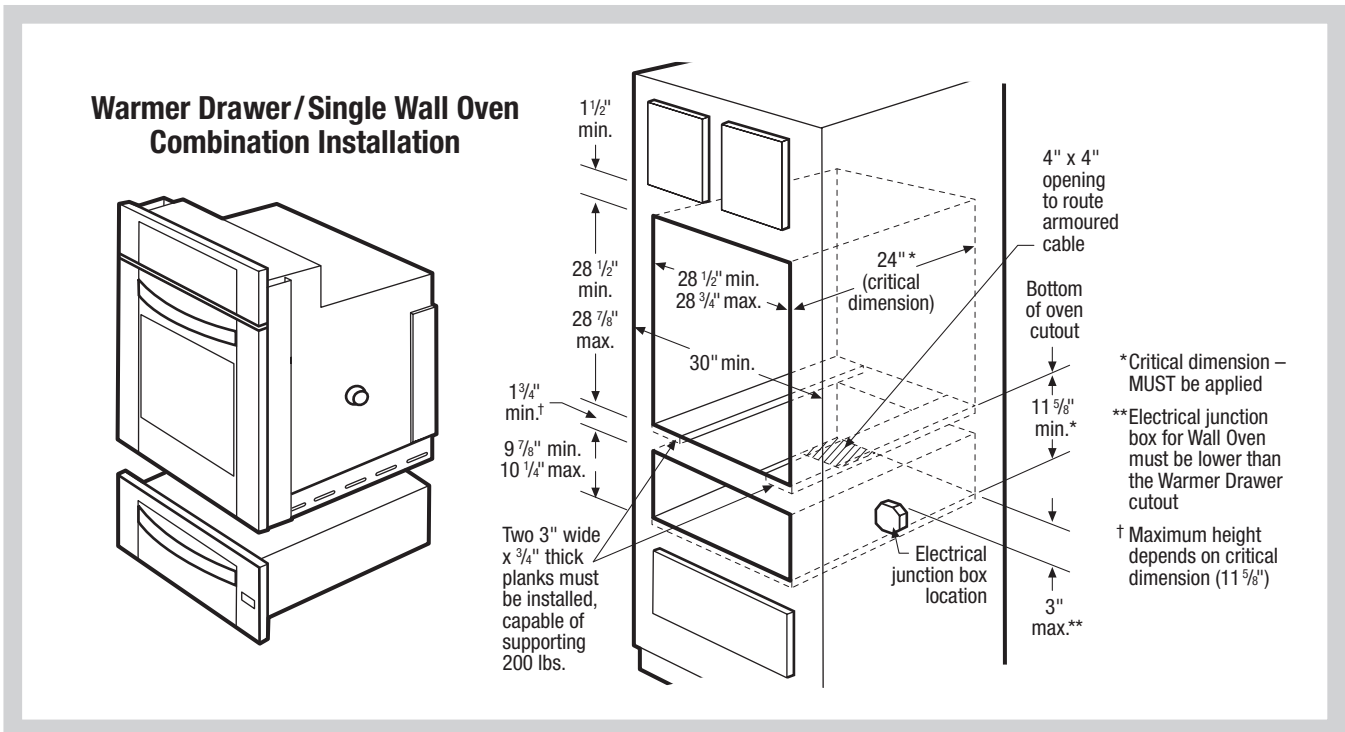
30" Warmer Drawer Specifications

- Product Weight – 49 Lbs.
- Voltage Rating – 120V/450W/60 Hz/15 Amps
- Connected Load (kW Rating) @ 120 Volts = 0.45kW (For use on adequately wired 120V, dedicated circuit having 2-wire service with a separate ground wire. Appliance must be grounded for safe operation.)
- Amps @ 120V = 3.75 Amps
- Full plywood base required, capable of supporting 100 Lbs.
- Base must be level and cabinet front must be square.

- Warmer Drawer can be used alone, or is approved to be used in combination with any Electrolux ICON™ Wall Oven. (Refer to *Combination Installation Specifications and drawing on this page.*)
- Warmer Drawer can be used alone, or is approved to be used in combination with any Electrolux ICON™ built-in product. (Refer to *Combination Installation Specifications page.*)

Optional Accessories

- ServeWare – (5304447729).



Warmer Drawer / Wall Oven Combination Specifications

- To support Wall Oven when using in combination with Warmer Drawer, two 3"-wide x 3/4" thick planks must be installed as a base, capable of supporting 200 Lbs. Do NOT use full base, since planks are necessary to allow for proper air displacement.

Note: Refer to Product Installation Guide for detailed instructions on the web at electroluxusa.com.