



High-Speed Oven Specifications

- Product Weight – 115 Lbs.
- Single phase 3- or 4-wire cable, 240 Volt, 60 Hertz AC only electrical supply with ground required on separate circuit fused on both sides of line.
- Connected Load (kW Rating) – 240 Volts = 4.0 kW
- Amps @ 240 Volts = 15 Amps
- Always consult local and/or national electric codes.
- Allow at least 12" clearance for oven door depth when open.
- Minimum 22-3/4" deep, oven cutout dimension is critical for proper installation. If oven's face profile does not fit flush against cabinet, or if noise is heard from oven's convection system, verify dimension.
- Full oven base of solid plywood or similar material required, capable of supporting 130 Lbs.
- Base must be level and cabinet front must be square.
- High-Speed Oven is NOT approved to be used under counter.
- High-Speed Oven is approved to be used in combination with any Electrolux ICON™ Single Wall Oven. (Refer to Combination Installation Specifications on the web.)

NOTE: Refer to Product Installation Guide for detailed instructions on the web at electroluxusa.com.

Practical, Complementary Design

Stainless steel exterior, sturdy handle on the pull-down door for easy opening and increased placement options.

Wave-Touch™ Control Panel Technology

A simple touch, anywhere on the panel, lights oven controls and provides access to all oven functions. This allows easy programming while keeping activated functions lighted for easy monitoring.

Cooking Mode Options

This appliance makes cooking faster, easier and better by combining a high-speed, convection and microwave oven into one versatile package. This high-performance oven allows you to bake, brown, grill or roast with ease.

Temperature Control

100°, 150°, 275° – 450° in 25-degree increments.

High-Speed Cooking Option

Forcing heated air at ultrahigh speeds over the surface of meats, High-Speed Cooking rapidly sears in moisture and flavor and produces a beautifully browned, delicately crisp exterior. When combined with the microwave function, cooking time is reduced by 50%.

Automatic Settings

84 cooking selections and preprogrammed recipes ensure endless cooking options and yield perfect results.

HIGH-SPEED OVEN

Oven Cavity	1.1 Cu. Ft.
Watts (IEC-705 Test Procedure)	1000
Oven Interior	Stainless Steel
Interior Light	Yes
Porcelain Enamel Turntable (Diameter)	13"

PANEL FEATURES

Electronic Clock & Timer	Yes
Glass Wave-Touch™ Control with Blue LED Display	Yes
Automatic Settings	
Basic Cook Recipes	84
Microwave Options	100
Speed Bake	17
Speed Roast	Yes
Speed Grill	Yes
Convection	Yes

POWER RATINGS

Microwave	1.7kW, 7.5 Amps
Convection	3.1kW, 13 Amps
Speed Cooking	3.2kW, 13.5 Amps
AC Line Voltage	240V, 15 Amps, 60Hz, AC only

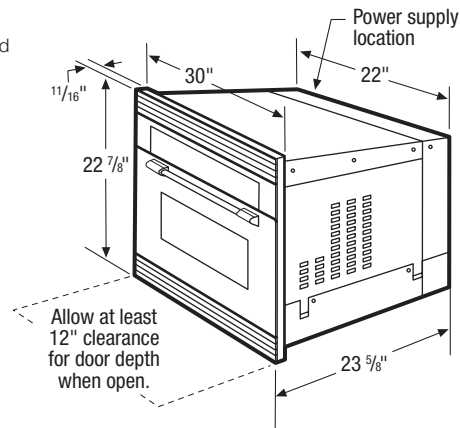
ACCESSORIES

Cookbook	Included
High and Low Racks	Included
Pizza Pan	Included
Easy Reference Guide	Included

SPECIFICATIONS

Cutout Dimensions –	
Height	21-11/16" min. 21-15/16" max.
Width	22-3/8" min. 22-5/8" max.
Depth	22-3/4"
Power Supply Location	Left Bottom Rear
Approved for Under-Counter Installation	No
Approved for Single Oven Combination Installation	Yes
Product Weight	115 Lbs.
Shipping Weight	119 Lbs.
UPC (0-12505-)	55823-8

NOTE: Always consult local and/or national electric codes. Refer to Product Installation Guide for detailed installation instructions on the web at electroluxusa.com.



USA • 250 Bobby Jones Expressway • Augusta, GA 30907
1-877-4electrolux (1-877-435-3287) • electroluxusa.com

CANADA • 5855 Terry Fox Way • Mississauga, ON L5V 3E4
1-800-668-4606 • electroluxca.com