

Full-Gas Freestanding Range

E30GF74HPS professional series



Smooth-Glide™ Oven Racks

Imagine oven racks that glide with unparalleled ease and extend fully for effortless access to your meal. Designed with a centered easy-grip handle and a patented ball bearing rack system for smooth-gliding performance with the touch of a finger.



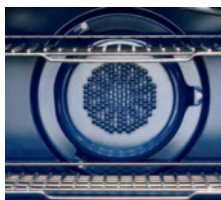
Min-2-Max™ Sealed Burner

Burner configuration includes a versatile Min-2-Max™ sealed burner delivering anywhere from 18,000 to 450 BTUs. Thanks to the double ring configuration, you can whisk delicate sauces or bring water to a rapid boil. You decide the level of heat output by a simple turn of the burner knob.



Sealed Rangetop

One look says it all. This superior gas-through-ceramic glass surface is durable, smooth and easy to clean. The glass ceramic surface easily buffs to a glossy shine. Imagine the beauty this sleek, glistening rangetop will bring to your kitchen.



European Convection System

By adding a third cooking element and a convection fan, heat is distributed evenly throughout the oven. Cooking every meal to perfection has never been easier.

30" FULL-GAS FREESTANDING RANGE

CONTROL PANEL FEATURES

Manual Oven Control	Yes
Professional-Style Stainless Steel Console	Yes
Large Professional Skirted Knobs with Bezel	6

RANGETOP FEATURES

Min-2-Max™ Dual-Ring Sealed Burner (BTU)	1 (18,000 – 450)
Sealed Power Burner™ (BTU)	1 (14,000)
Sealed Precision Burner™ (BTU)	1 (9,500)
Sealed Precision Burner™ (BTU)	1 (5,000)
Full-Length Grates (front to back)	2
Electronic Ignition	Yes

OVEN CAVITY FEATURES

Capacity	4.2 Cu. Ft.
Manual-Select Fan Convection Cooking Mode	Yes
Bake Burner (BTU)	1 (18,000)
Broil Burner (BTU)	1 (11,500)
Convection Burner (Watts)	350
Cobalt Blue Interior	Yes
Self-Clean with Door Lock	Yes
Cook Modes –	
Bake	Yes
Broil	Yes
Convection Bake	Yes
Convection Roast	Yes
Halogen Oven Lights	2
Smooth-Glide™ Racks	2
Conventional Racks	1

ADDITIONAL FEATURES

6" Stainless Steel Backsplash	Yes
Full Stainless Steel Side Panels	Yes
Professional Handle	Yes
Fully Adjustable Leveling Legs	Yes

ACCESSORIES

Broiler Pan and Insert	Included
Stainless Steel Cleaner	Included
Griddle	Included
Wok Ring	Included
Simmer Plate	Included
4" Stainless Steel Kickplate – PN# 318352601	Optional
Stainless Steel Island Trim Kit – PN# 903132-9010	Optional
Black Knobs Kit – PN# 903108-9010	Optional

SPECIFICATIONS

Oven Cavity Dimensions –	
Height	16-1/2"
Width	24-1/8"
Depth	18-1/32"
Overall Exterior Dimensions –	
Height (Including Adjustable Legs)	41-5/8 – 42-5/8"
Width	29-7/8"
Depth (Including Handle) (with 90° Door Open)	28-1/2" 45-1/2"
Gas Supply Connection Location	Center Bottom Rear
Power Supply Connection Location	Left Bottom Rear
LP Gas Conversion Kit	Included
Voltage Rating	120V/60Hz/15 or 20A
Connected Load (kW Rating) @ 120 Volts†	0.6
Shipping Weight (Approx.)	289 Lbs.

*For use in place of backsplash

†For use on adequately wired 120V, dedicated circuit having 2-wire service with a separate ground wire. Appliance must be grounded for safe operation.

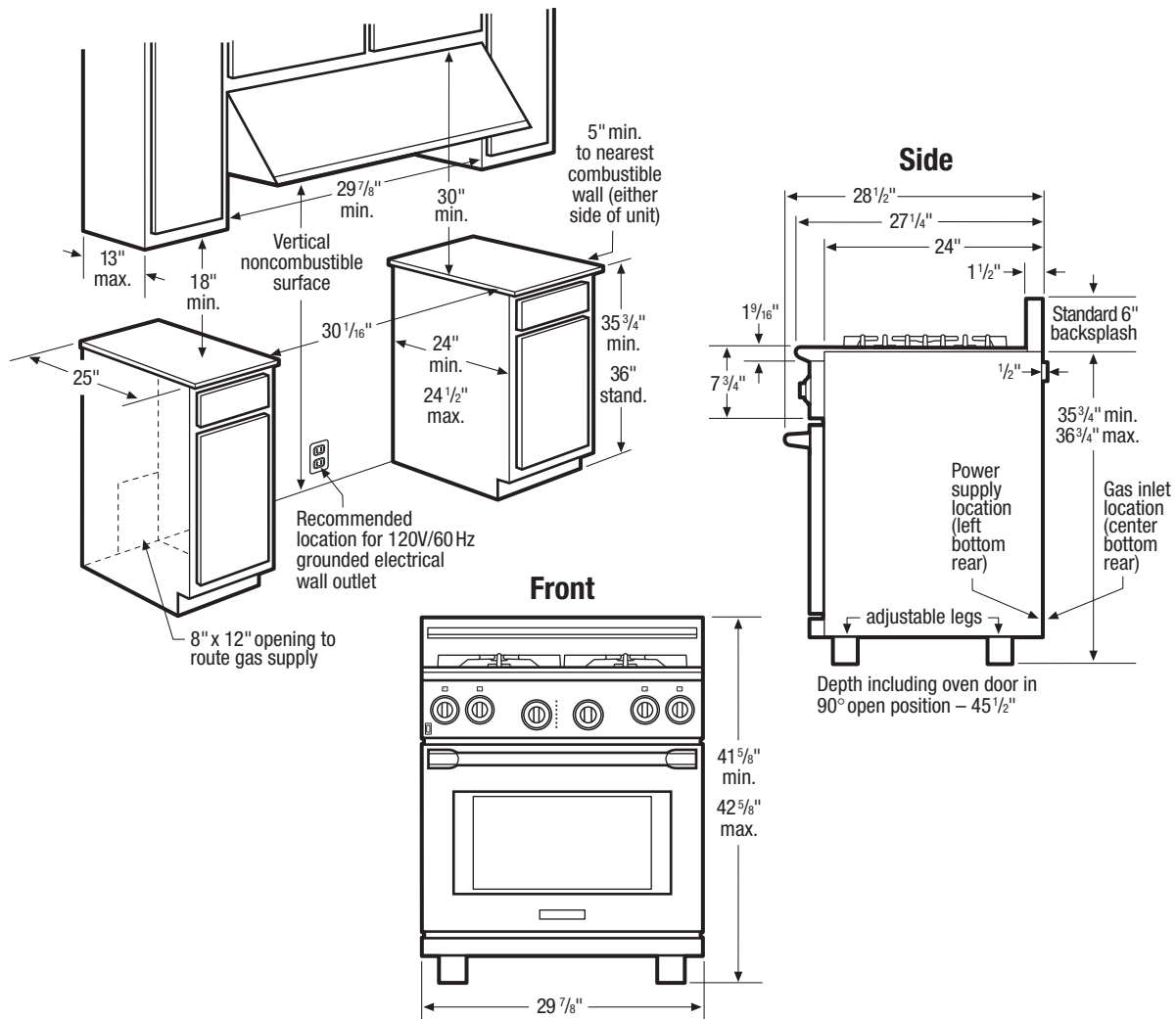
NOTE: Always consult local and/or national electric and gas codes. Refer to Product Installation Guide for detailed installation instructions on the web at electroluxicon.com.

Specifications subject to change.

Full-Gas Freestanding Range

E30GF74HPS professional series

Electrolux | ICON®



30" Full-Gas Freestanding Range Specifications

- Product Weight – 259 Lbs.
- Voltage Rating – 120V/ 60Hz/ 15 or 20 Amp
- Connected Load (kW Rating) @ 120 Volts = 0.6kW
(For use on adequately wired 120V, dedicated circuit having 2-wire service with a separate ground wire. Appliance must be grounded for safe operation.)
- Amps @ 120 Volts = 7 Amps
- Always consult local and/or national electric and gas codes.
- Range ships with 3/4" factory regulator.
- LP Gas conversion kit supplied.
- Overhead cabinetry should not exceed a 13" maximum depth.
- Allow 34" minimum clearance between top of rangetop and bottom of unprotected wood or metal overhead cabinetry.
- Absolute minimum horizontal distance between overhead cabinets installed to either side of appliance must be no less than maximum width of appliance.
- Allow 5" minimum clearance from edge of rangetop to nearest combustable wall on either side of unit.

- Allow 24" minimum clearance when bottom of wood or metal overhead cabinet is protected by not less than 1/8" flame-retardant millboard covered with not less than No. 28 MGS sheet steel, 0.015" stainless steel, 0.024" aluminum or 0.020" copper.
- To reduce risk of fire when using overhead cabinetry, install vent hood that projects horizontally a recommended minimum of 5" beyond bottom of cabinets.

Note: For planning purposes only. Refer to Product Installation Guide on the web at electroluxicon.com for detailed instructions.

Optional Accessories

- Stainless Steel Island Trim Kit (for use in place of backsplash) – (PN# 903132-9010).
- 4" Stainless Steel Kick Plate – (PN# 318352601).
- Black Knobs Kit – (PN# 903108-9010).

Electrolux Major Appliances, N.A.

USA • 250 Bobby Jones Expressway • Augusta, GA 30907 • 1-877-4electrolux (1-877-435-3287) • electroluxicon.com
CANADA • 5855 Terry Fox Way • Mississauga, ON L5V 3E4 • 1-800-265-8352 • electroluxicon.ca

E30GF74HPS 01/09

© 2009 Electrolux Home Products, Inc.



High standards of quality at Electrolux Home Products, Inc. mean we are constantly working to improve our products. We reserve the right to change specifications or discontinue models without notice.

Printed in the U.S.A.