

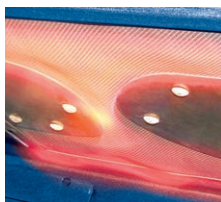
# Gas Freestanding Range

**E30GF74GPS** professional series



### Large Capacity Convection Oven with Smooth-Glide™ Oven Racks

This 4.2 cu. ft. capacity oven features a forced air convection system for fast and efficient heat distribution. Smooth-Glide™ oven racks make access to oven contents safe and easy.



### Infrared Broiler

The infrared broiler provides searing heat that seals in natural flavors and enhances the taste of everything you prepare.



### Four High-Powered Sealed Burners

The four-burner configuration provides a wide range of power. Choose up to 15,000 BTUs to quickly bring liquids to a rapid boil, or simmer delicate sauces as low as 620 BTUs.



### Dual-Ring Burner

Offers complete flexibility and adapts to any size cookware. The inner flame yields ample heat for small sauce pans while the larger external burner provides significant power for larger cookware.

## 30" GAS FREESTANDING RANGE

### CONTROL PANEL FEATURES

Manual Oven Control	Yes
Professional-Style Stainless Steel Console	Yes
Large Professional Skirted Knobs with Bezel	5

### RANGETOP FEATURES

Sealed Dual-Ring Burner with Variable Simmer Setting (BTU)	4 (15,000 – 620)
Full-Length Grates (front to back)	2
Electronic Ignition with Auto Re-Ignition	Yes

### OVEN CAVITY FEATURES

Capacity (Cu.Ft.)	4.2
Manual-Select Fan Convection Cooking Mode	Yes
Bake Burner (BTU)	1 (22,000)
Infrared Broiler System (BTU)	1 (16,500)
Cobalt Blue Interior	Yes
Manual Clean	Yes
Halogen Oven Light	2
Smooth-Glide™ Racks	3

### ADDITIONAL FEATURES

3-1/2" Stainless Steel Backsplash	Yes
Full Stainless Steel Side Panels	Yes
Professional Handle	Yes
Fully-Adjustable Leveling Legs	Yes

### ACCESSORIES

Broil Pan and Insert	Included
Stainless Steel Cleaner	Included
Griddle	Included
Wok Ring	Included
Simmer Plate	Included
Black Gas Valve Knob – ACCKNOB-3	Optional
Black Oven Selector/Temperature Knob – ACCKNOB-1	Optional

### SPECIFICATIONS

Oven Cavity Dimensions –	
Height	16"
Width	24"
Depth	19"
Overall Exterior Dimensions –	
Height	40-1/8"
Width	30"
Depth (Including Handle) (with 90° Door Open)	28-5/8" 44-1/8"
Gas Supply Connection Location	Right Bottom Rear
LP Conversion Kit	Included
Voltage Rating	120V/60Hz/15 or 20A
Connected Load (kW Rating) @ 120 Volts	0.6
Product Weight	305 Lbs.
Shipping Weight (Approx.)	411 Lbs.
UPC (0-12505-)	55863-4

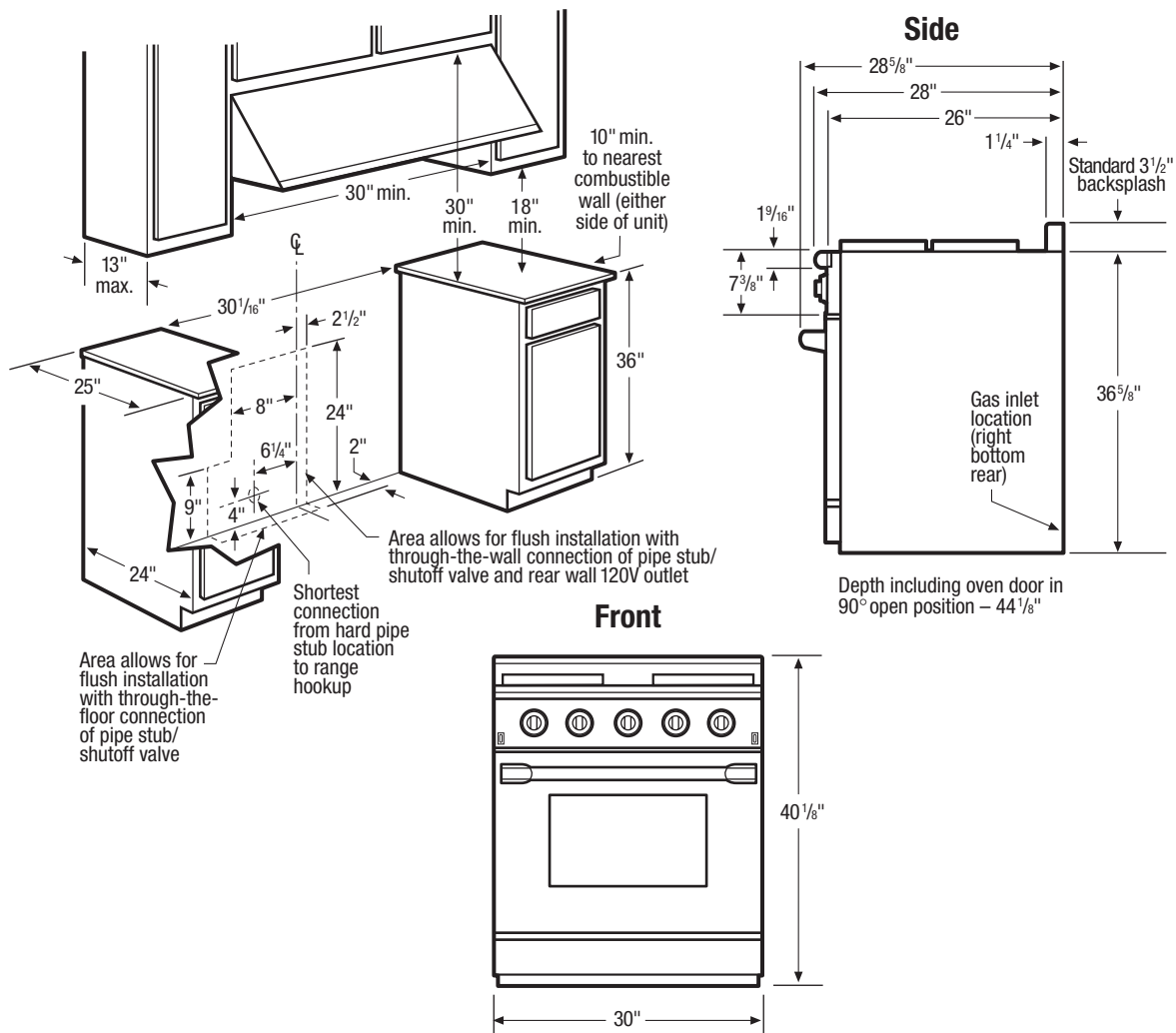
NOTE: Always consult local and/or national electric and gas codes. Refer to Product Installation Guide for detailed installation instructions on the web at [electroluxusa.com](http://electroluxusa.com).

Specifications subject to change.

# Gas Freestanding Range

E30GF74GPS professional series

Electrolux | ICON™



## 30" Gas Freestanding Range Specifications

- Product Weight – 305 Lbs.
- Voltage Rating – 120V/60 Hz/ 15 or 20 Amp
- Connected Load (kW Rating) @ 120 Volts = 0.6kW
- Amps @ 120 Volts = 5 Amps
- Always consult local and/or national electric and gas codes.
- Cooktop ships with 3/4" factory regulator.
- Lp conversion kit supplied.
- Overhead cabinetry should not exceed a 13" maximum depth.
- Noncombustible material may be installed on rear wall above range and up to vent hood yet is not necessary to install behind range below countertop height.
- Allow 30" minimum clearance between top of rangetop and bottom of unprotected wood or metal overhead cabinetry.
- Absolute minimum horizontal distance between overhead cabinets installed to either side of appliance must be no less than maximum width of appliance.

- Allow 10" minimum clearance from edge of rangetop to nearest combustible wall on either side of unit.
- Allow 24" minimum clearance when bottom of wood or metal overhead cabinet is protected by not less than 1/8" flame-retardant millboard covered with not less than No.28 MGS sheet steel, 0.015" stainless steel, 0.024" aluminum or 0.020" copper.
- To reduce risk of fire when using overhead cabinetry, install vent hood that projects horizontally a recommended minimum of 5" beyond bottom of cabinets.

**Note:** Refer to Product Installation Guide for detailed instructions on the web at [electroluxusa.com](http://electroluxusa.com).

### Optional Accessories

- Black Gas Valve Knob – (ACCKNOB-3).
- Black Oven Selector/Temperature Knob – (ACCKNOB-1).



USA • 250 Bobby Jones Expressway • Augusta, GA 30907 • 1-877-4electrolux (1-877-435-3287) • [electroluxusa.com](http://electroluxusa.com)  
 CANADA • 5855 Terry Fox Way • Mississauga, ON L5V 3E4 • 1-800-668-4606 • [electroluxca.com](http://electroluxca.com)

High standards of quality at Electrolux Major Appliances mean we are constantly working to improve our products. We reserve the right to change specifications or discontinue models without notice.