

Gas Slide-In Cooktop

E30GC74GPS professional series



Min-2-Max™ Burners

Burner configuration includes two versatile Min-2-Max™ sealed burners delivering anywhere from 18,000 to 450 BTUs. Thanks to the double ring configuration, you can simmer sauces or bring water to a boil. You decide the level of heat output by a simple turn of the knob.



Four Sealed Burners

Versatile sealed burner configuration provides the utmost in cooking flexibility. Includes: two 18,000-450 BTU Min-2-Max™ burners, one 14,000 BTU Power Burner™ and one 5,000 BTU Precision Burner™.



Sealed Cooktop Spill-Basin

Cleanup is convenient with a black porcelain-coated area beneath the burners to catch spills.



Professional-Style Controls

Large professional-feel, front-mounted control knobs provide easy and accurate settings. 270 degree rotation offers superior flame control. Optional black knobs available.

30" GAS SLIDE-IN COOKTOP

Configuration	4 Sealed Burners
---------------	------------------

FEATURES

Formed Stainless Steel Platform	Yes
Large Professional Skirted Knobs with Bezel	4
Min-2-Max™ Dual-Ring Sealed Burner (BTU)	2 (18,000 – 450)
Sealed Power Burner™ (BTU)	1 (14,000)
Sealed Precision Burner™ (BTU)	1 (5,000)
Linear Flow Burner Valves	4
Electronic Ignition with Auto Re-Ignition	Yes
Continuous Grates	3

ACCESSORIES

Griddle	Included
Wok Ring	Included
Simmer Plate	Included
9" Stainless Steel Backsplash – 903048-9100	Optional
Black Knobs Kit – 903109-9100	Optional
Depth Adjustment Filler Kit * – 903051-9100	Optional

SPECIFICATIONS

Overall Exterior Dimensions –	
Height	7-3/4"
Width	29-7/8"
Depth	25"
Gas Inlet/Power Supply Location	Right Rear
Voltage Rating	120V/60Hz/15A
Connected Load (kW Rating) @ 120 Volts‡	0.001
Electrical Cable	Included
Approved for Single Oven Combination Installation**	No
Product Weight	95 Lbs.
Shipping Weight (Approx.)	100 Lbs.
UPC (0-12505-)	09799-2

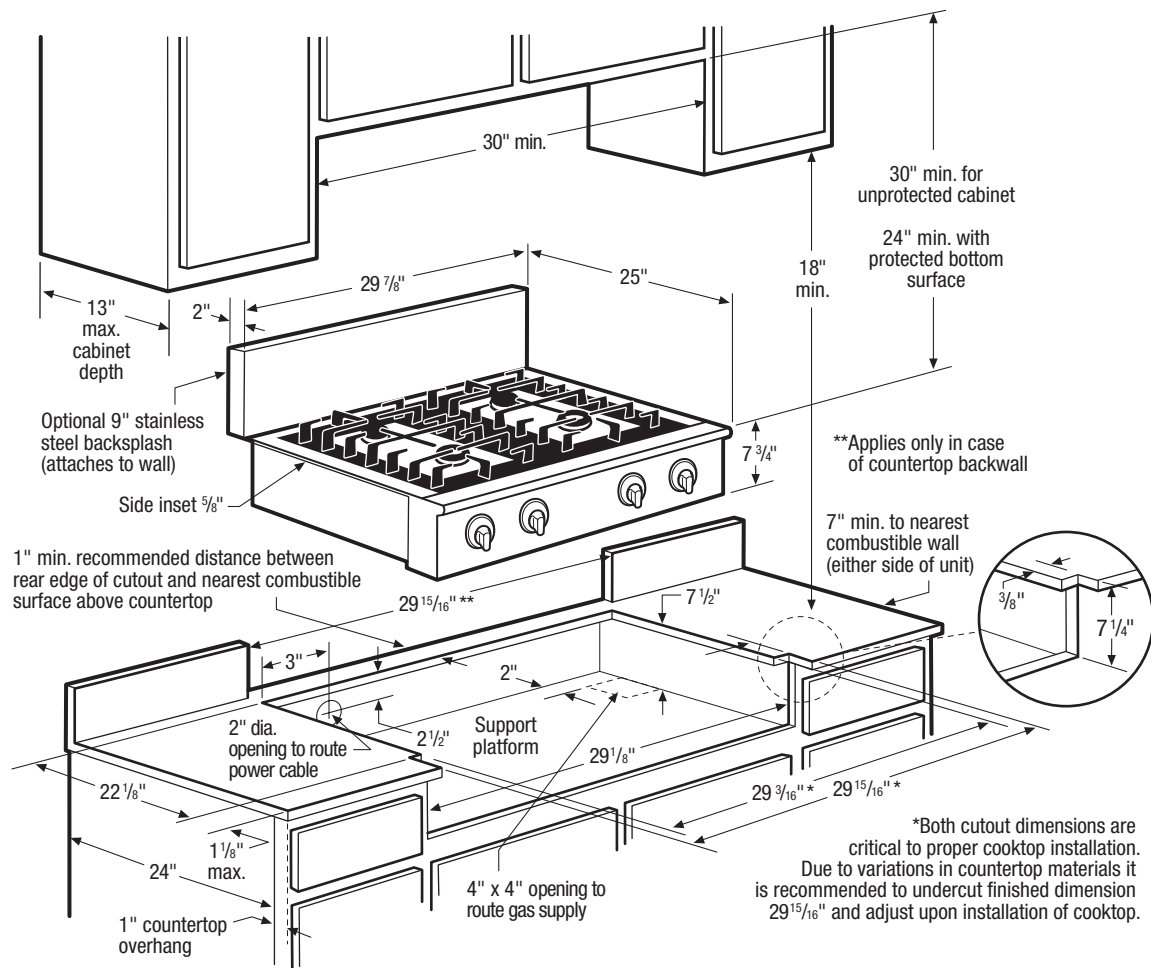
* When replacing an existing cooktop with countertop cutout deeper than 7-1/4" and less than 8-1/2", order free Depth Adjustment Filler Kit.

‡ For use on adequately wired 120V, dedicated circuit having 2-wire service with a separate ground wire. Appliance must be grounded for safe operation.

** Not approved to be used over any Electrolux ICON™ Single Wall Oven.

NOTE: Always consult local and/or national electric and gas codes. Refer to Product Installation Guide for detailed installation instructions on the web at electroluxusa.com.

Specifications subject to change.



30" Gas Slide-In Cooktop Specifications

- Product Weight – 95 Lbs.
- Voltage Rating – 120V/ 60Hz/ 15 Amp
- Connected Load (kW Rating) @ 120 Volts = 0.001 kW (For use on adequately wired 120V, dedicated circuit having 2-wire service with a separate ground wire. Appliance must be grounded for safe operation.)
- Amps @ 120 Volts = 0.008 Amps
- Always consult local and/or national electric and gas codes.
- Cooktop ships with 3/4" factory regulator.
- Lp conversion kit supplied.
- Plan installation to have electrical connection, gas shutoff valve, and pressure regulator accessible from front of cabinet. Locate 120V grounded outlet in a 4"W x 5"H area on rear wall, 16" above floor, aligned center with cooktop.
- Cabinet and/or countertop must completely enclose recessed portion of cooktop. Respect cutout dimensions and clearances and ensure that all contact surfaces are solid and level.
- Overhead cabinetry should not exceed a 13" maximum depth.
- Allow 30" minimum clearance between top of cooktop and bottom of unprotected wood or metal overhead cabinetry.
- Absolute minimum horizontal distance between overhead cabinets installed to either side of appliance must be no less than maximum width of appliance.
- Allow 24" minimum clearance when bottom of wood or metal overhead cabinet is protected by not less than 1/8" flame-retardant millboard covered with not less than No.28 MGS sheet steel, 0.015" stainless steel, 0.024" aluminum or 0.020" copper.

- Allow 1" minimum clearance between rear edge of cooktop and nearest combustible surface above countertop. If required clearance can not be maintained, then optional stainless steel backsplash or noncombustible backsplash material must be used – otherwise installation will require custom cabinet and countertop dimensions.
- Allow 7" minimum clearance from edge of cooktop to nearest combustible wall on either side of unit.
- It is recommended that drawers not be used beneath cooktop.
- To reduce risk of fire when using overhead cabinetry, install vent hood that projects horizontally a recommended minimum of 7" beyond bottom of cabinets.
- Gas Slide-In Cooktop model E30GC74GPS is NOT approved to be used over any Electrolux ICON™ Single Wall Oven.

Note: Refer to Product Installation Guide for detailed instructions on the web at electroluxusa.com.

Optional Accessories

- When replacing an existing cooktop with countertop cutout deeper than 7-1/4" and less than 8-1/2", order free Depth Adjustment Filler Kit – (903051-9100).
- 9" Stainless Steel Backsplash – (903048-9100).
- Black Knobs Kit – (903109-9100).