

Electric Single Wall Oven

E30EW75GPS professional series



Wave-Touch™ Control Panel Technology

A simple touch, anywhere on the panel, lights oven controls and provides access to all oven functions. This allows easy programming while keeping activated functions lighted for easy monitoring.



Smooth-Glide™ Oven Racks

Fully extending oven racks with a centered easy-grip handle make access to oven contents safe and easy. Patented ball bearing rack system allows racks to glide effortlessly.



Multi-Option Cooking with Temperature Probe

Seven cooking modes with eight functions for essential versatility. The temperature probe monitors the cooking progress and automatically indicates when the meat is precisely cooked.



CustomConvect^{3™} Convection System

A third cooking element using a variable-speed technology fan, when combined with temperature-setting options, provides premium performance with more cooking choices.

30" ELECTRIC SINGLE WALL OVEN

Sabbath Mode (Star-K® Certified)	Yes
----------------------------------	-----

OVEN FEATURES

Oven Cavity (Cu. Ft.)	4.2
Cobalt Blue Interior	Yes
CustomConvect ^{3™} Convection System	Yes
Hidden Bake Element	Yes
Convection Conversion	
Preheat Control	Yes
Keep Warm	Yes
Light Clean/Heavy Clean	
Self-Cleaning with Auto-Safety Latch™	Yes
Self-Cleaning Cycle	Yes
Self-Cleaning Rack Removal Alert	Yes
Dual Radiant™ Baking System	Yes
Eight-Pass Broil & Radiant Bake Element	Yes
Smooth-Glide™ Racks	3
Standard Racks	1
Halogen Lighting	Yes
Porcelain Broiler Pan with Grill	Yes

CONTROL PANEL FEATURES

Electronic Oven Control	Yes
Electronic Clock/Timer	Yes
Electronic Temperature Display	Yes
Glass Wave-Touch™ Control with Blue LED Display	Yes
Toggle Control	
Automatic Oven – Delay, Cook & Off	Yes
Electronic Lockout	Yes
Automatic Oven Shutoff – 12 Hour	Yes
Auto Set™ Control – Convection	
Programmable for °F or °C	Yes
Integrated Halogen Oven Light – Touch Pad	Yes

DOOR STYLE

Cool-Touch™ Door	Yes
Removable Door	Yes
Extra-Large Window	Yes
Stainless Door Handle/Towel Bar	Yes

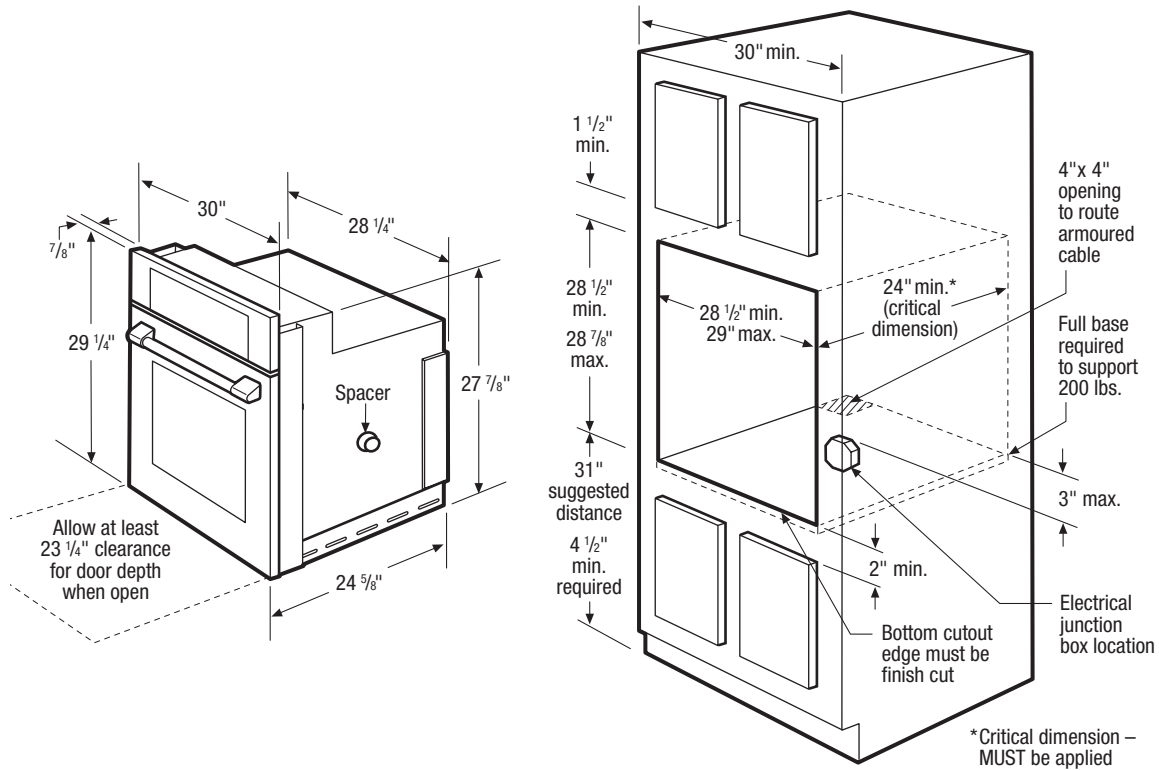
SPECIFICATIONS

Oven Cavity Dimensions –	
Height	16-1/2"
Width	24-1/8"
Depth	18-1/32"
Overall Exterior Dimensions –	
Height	29-1/4"
Width	30"
Depth (Including Door) (with 90° Door Open)	24-5/8" 47-7/8"
Power Supply Location	Left Bottom Rear
Approved for Under-Counter Installation*	Yes
Amps @ 240/208 Volts	16.6/14.4
Connected Load (kW Rating) @ 240/208 Volts	4.0/3.0
Bake Element (Watts @ 240/208 Volts)	2200
Broil Element (Watts @ 240/208 Volts)	4000
Armored Electrical Cable	Included
Product Weight	178 Lbs.
Shipping Weight (Approx.)	196 Lbs.
UPC (0-57112-)	09632-2

*Single Wall Oven is approved to be used beneath Electrolux ICON™ gas cooktop models E36GC70FSS and E30GC70FSS; and Electrolux ICON™ electric cooktop models E36IC75FSS, E30IC75FSS, E36EC70FSS and E30EC70FSS. Gas and electric cooktop models NOT approved for use in this installation are E36GC75GSS, E36EC75ESS, E36GC76GPS, E30GC74GPS, E48GC76EPS, E30EC65ESS and E36EC65ESS.

NOTE: Always consult local and/or national electric codes. Refer to Product Installation Guide for detailed installation instructions on the web at electroluxusa.com.

Specifications subject to change.



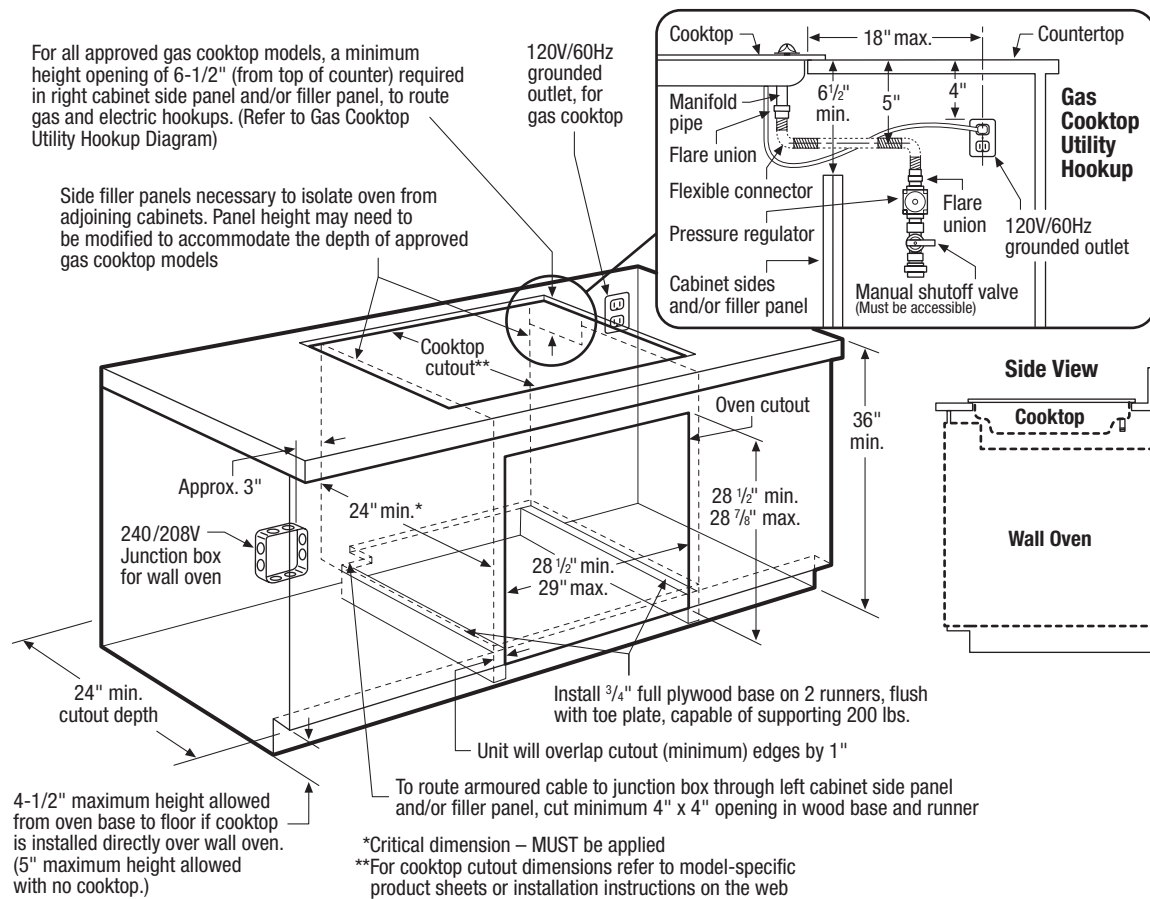
30" Electric Single Wall Oven Specifications

- Product Weight – 178 Lbs.
- Single phase 3- or 4-wire cable, 120/240 or 120/208 Volt, 60 Hertz AC only electrical supply with ground required on separate circuit fused on both sides of line.
- Connected Load (kW Rating) @ 240/208 Volts = 4.0/3.0kW
- Amps @ 240/208 Volts = 16.6/14.4 Amps
- Always consult local and/or national electric codes.
- Minimum 23-1/4" clearance for oven door depth when open.
- Suggested distance from floor is 31". Minimum required distance is 4-1/2".
- Minimum 24" deep cutout dimension is critical for proper installation, to ensure that oven's faceplate will fit flush against cabinet front.
- Full oven base of solid plywood or similar material required, capable of supporting 200 Lbs.
- Base must be level and cabinet front must be square with finish-cut bottom edge.
- Single Wall Oven is NOT approved to be used in stackable or side-by-side installation.

- Single Wall Oven is approved to be used in under-counter installation. (Refer to 30" Single Wall Oven Under-Counter Installation Specifications page.)
- Single Wall Oven is approved to be used beneath Electrolux ICON™ gas cooktop models E36GC70FSS and E30GC70FSS; and Electrolux ICON™ electric cooktop models E36IC75FSS, E30IC75FSS, E36EC70FSS and E30EC70FSS. (Refer to Cooktop Installation Over 30" Single Electric Wall Oven Specifications page.)
Gas and electric cooktop models NOT approved for use in this installation are E36GC75GSS, E36EC75ESS, E48GC76EPS, E36GC76GPS, E30GC74GPS, E30EC65ESS and E36EC65ESS.
- Single Wall Oven is approved to be used in combination with any Electrolux ICON™ Warmer Drawer. (Refer to model-specific Warmer Drawer Product Sheet for Combination Installation Specifications.)
- Single Wall Oven is approved to be used in combination with any Electrolux ICON™ High-Speed Oven or Built-In Microwave. (Refer to Combination Installation Specifications page.)

Note: Refer to Product Installation Guides for detailed instructions on the web at electroluxusa.com.

Gas Cooktop Installation Over 30" Single Electric Wall Oven



30" Single Electric Wall Oven Under-Counter Installation Specifications

- Product Weights – (E30EW75GPS) 178 Lbs. / (E30EW75GSS) 175 Lbs.
- Single phase 3- or 4-wire cable, 120/240 or 120/208 Volt, 60 Hertz AC only electrical supply with ground required on separate circuit fused on both sides of line.
- Connected Load (kW Rating) @ 240/208 Volts = 4.0/3.0kW
- Amps @ 240/208 Volts = 16.6/14.4 Amps
- Always consult local and/or national electric codes.
- Minimum 23-1/4" clearance for oven door depth when open.
- Minimum 24" deep cutout dimension is critical for proper installation, to ensure that oven's faceplate will fit flush against cabinet front.
- Full oven base of solid plywood or similar material required, capable of supporting 200 Lbs. Install over two runners and flush with toe plate.
- Base must be level and cabinet front must be square with finish-cut bottom edge.
- Side filler panels necessary to isolate oven from adjoining cabinets.
- Allow 5" maximum height from oven base to floor, if NO cooktop is installed directly over wall oven.

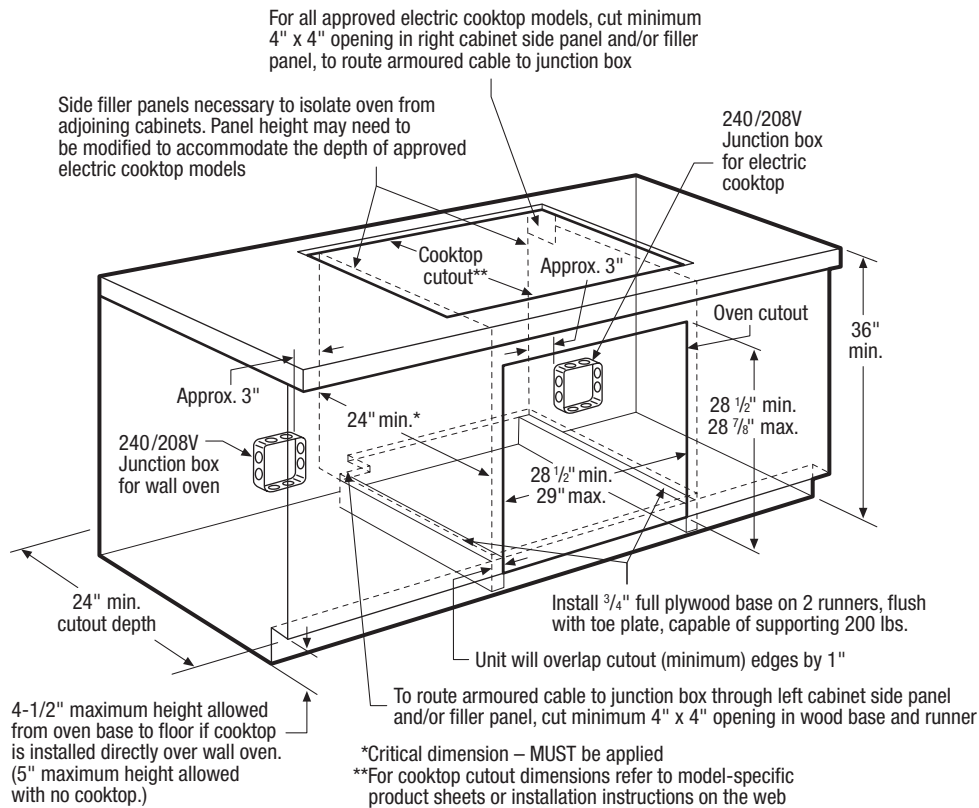
Gas Cooktop Installation Over 30" Single Electric Wall Oven Specifications

Single Wall Ovens are approved to be used beneath Electrolux ICON™ gas cooktop models E36GC70FSS and E30GC70FSS (gas cooktop models NOT approved for use in this installation are E36GC75GSS, E48GC76EPS, E36GC76GPS and E30GC74GPS).

For detailed Gas Cooktop installation, refer to model-specific product sheet and installation guide on the web.

- Side filler panels necessary to isolate oven from adjoining cabinets. Panel height may need to be modified to accommodate the depth of approved gas cooktop models.
- Minimum height opening of 6-1/2" (from top of counter) required in right cabinet side panel and/or filler panel, to route gas and electric hookups.
- Allow 4-1/2" maximum height from oven base to floor, if cooktop is installed directly over wall oven.

Note: Refer to Product Installation Guides for detailed instructions on the web at electroluxusa.com.



30" Single Electric Wall Oven Under-Counter Installation Specifications

- Product Weights – (E30EW75GPS) 178 Lbs. / (E30EW75GSS) 175 Lbs.
- Single phase 3- or 4-wire cable, 120/240 or 120/208 Volt, 60 Hertz AC only electrical supply with ground required on separate circuit fused on both sides of line.
- Connected Load (kW Rating) @ 240/208 Volts = 4.0/3.0kW
- Amps @ 240/208 Volts = 16.6/14.4 Amps
- Always consult local and/or national electric codes.
- Minimum 23-1/4" clearance for oven door depth when open.
- Minimum 24" deep cutout dimension is critical for proper installation, to ensure that oven's faceplate will fit flush against cabinet front.
- Full oven base of solid plywood or similar material required, capable of supporting 200 Lbs. Install over two runners and flush with toe plate.
- Base must be level and cabinet front must be square with finish-cut bottom edge.
- Side filler panels necessary to isolate oven from adjoining cabinets.
- Allow 5" maximum height from oven base to floor, if NO cooktop is installed directly over wall oven.

Electric Cooktop Installation Over 30" Single Electric Wall Oven Specifications

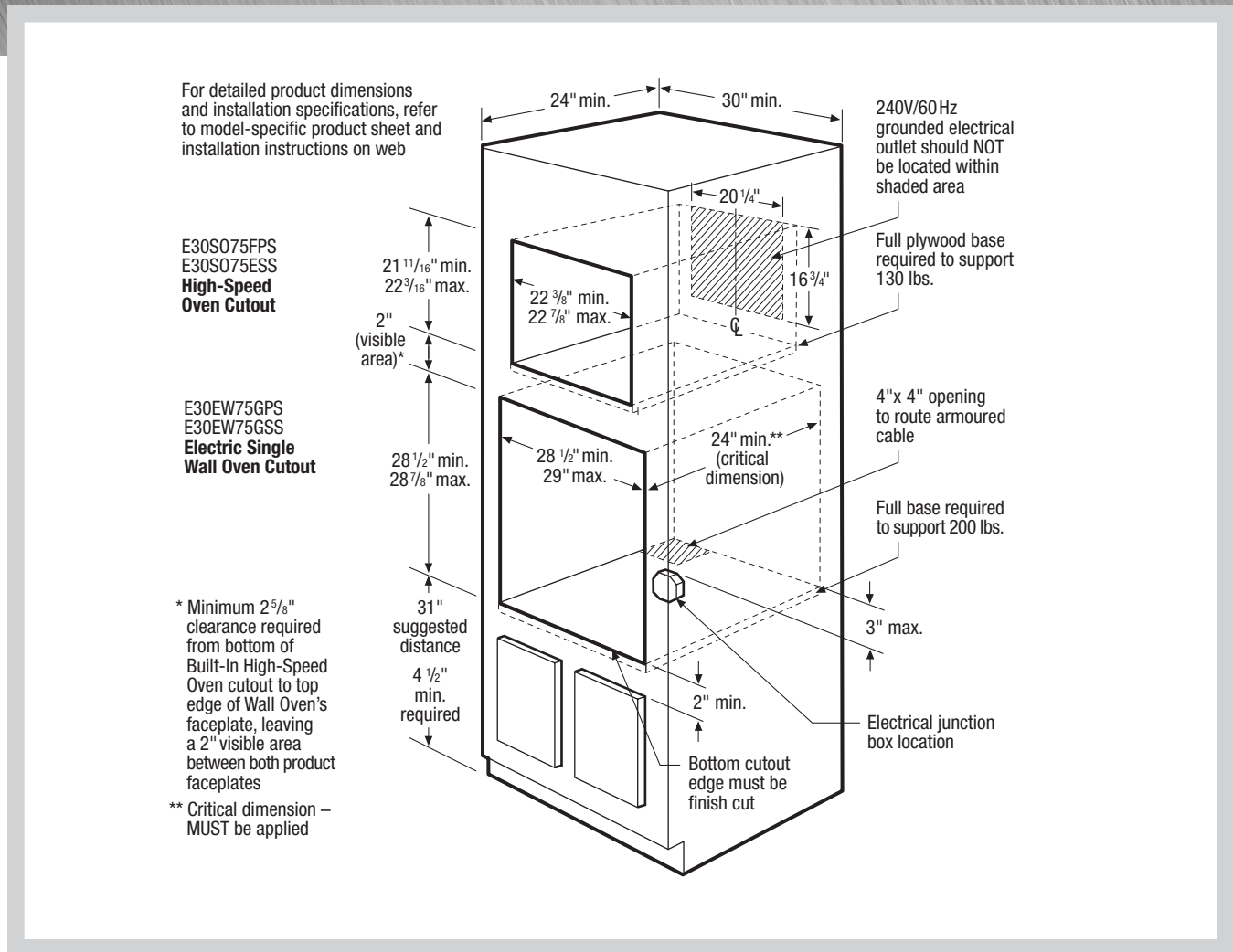
Single Wall Ovens are approved to be used beneath Electrolux ICON™ electric cooktop models E36IC75FSS, E30IC75FSS, E36EC70FSS and E30EC70FSS (electric cooktop models NOT approved for use in this installation are E36EC75ESS, E30EC65ESS and E36EC65ESS).

For detailed Electric Cooktop installation, refer to model-specific product sheet and installation guide on the web.

- Side filler panels necessary to isolate oven from adjoining cabinets. Panel height may need to be modified to accommodate the depth of approved electric cooktop models.
- To route armoured cable to junction box, cut minimum 4" x 4" opening in right cabinet side panel.
- Allow 4-1/2" maximum height from oven base to floor, if cooktop is installed directly over wall oven.

Note: Refer to Product Installation Guides for detailed instructions on the web at electroluxusa.com.

High-Speed Oven/Electric Single Wall Oven Combination Installation



High-Speed Oven/Electric Single Wall Oven Combination Installation Specifications

- Always consult local and/or national electric codes. (Refer to product-specific electrical specifications on this page.)
- Minimum 24" deep cutout dimension is critical for proper combination installation, to ensure that each built-in product's faceplate will fit flush against cabinet front.
- Bases must be level and cabinet front must be square.
- Minimum 4-1/2" required distance from bottom of Wall Oven cutout to floor, 31" suggested.
- Respect critical dimensions as noted for proper installation of built-in products.
- Minimum 23-1/4" clearance needed for Wall Oven door depth when open.

30" High-Speed Ovens Specifications

- Product Weights – (E30S075FPS/E30S075ESS) 115 Lbs.
- Single phase 3- or 4-wire cable, 240 Volt, 60 Hertz AC only electrical supply with ground required on separate circuit fused on both sides of line.
- Connected Load (kW Rating) @ 240 Volts = 3.3kW
- Amps @ 240 Volts = 13.2 Amps
- Full base of solid plywood or similar material required, capable of supporting 130 Lbs.
- Minimum 2-5/8" clearance required from bottom of High-Speed Oven cutout to top edge of Wall Oven's faceplate, leaving a 2" visible area between both product faceplates.

30" Electric Single Wall Ovens Specifications

- Product Weights – (E30EW75GPS) 178 Lbs. / (E30EW75GSS) 175 Lbs.
- Single phase 3- or 4-wire cable, 120/240 or 120/208 Volt, 60 Hertz AC only electrical supply with ground required on separate circuit fused on both sides of line.
- Connected Load (kW Rating) @ 240/208 Volts = 4.0/3.0kW
- Amps @ 240/208 Volts = 16.6/14.4 Amps
- Full oven base of solid plywood or similar material required, capable of supporting 200 Lbs.

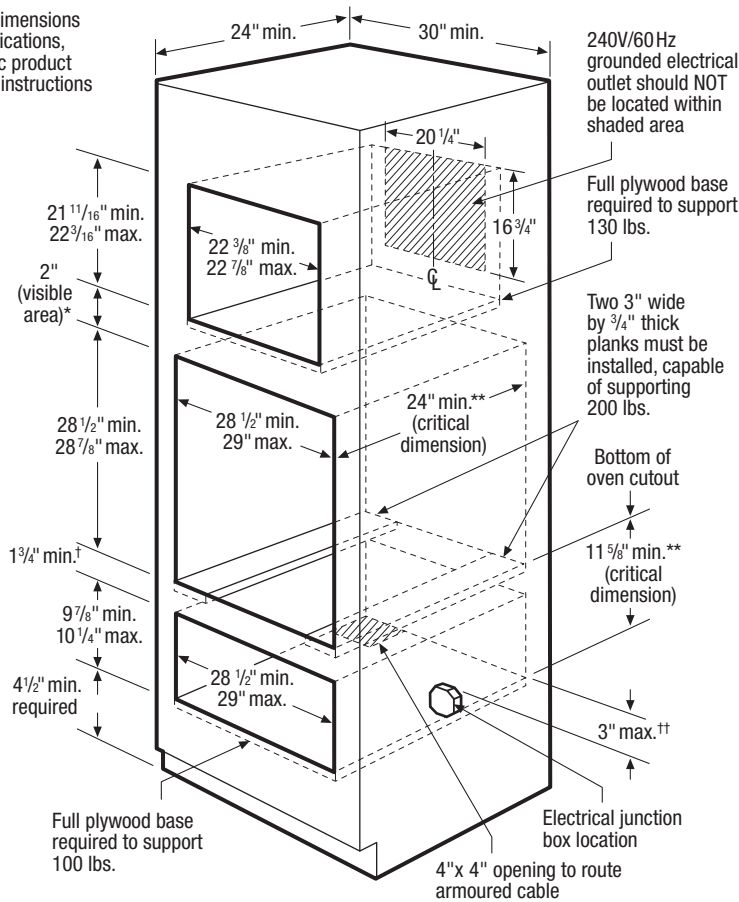
Note: Refer to Product Installation Guide for detailed instructions on the web at electroluxusa.com.

For detailed product dimensions and installation specifications, refer to model-specific product sheet and installation instructions on the web

E30SO75FPS
E30SO75ESS
**High-Speed
Oven Cutout**

E30EW75GPS
E30EW75GSS
**Single Electric
Wall Oven Cutout**

E30WD75GPS
E30WD75GSS
E30WD75GTT
**Warmer Drawer
Cutout**



* Minimum 2⁵/₈" clearance required from bottom of Built-In High-Speed Oven cutout to top edge of Wall Oven's faceplate, leaving a 2" visible area between both product faceplates

** Critical dimension – MUST be applied

† Maximum height depends on critical dimension (11⁵/₈"

†† Electrical junction box for Wall Oven must be lower than the Warmer Drawer cutout

High-Speed Oven/Single Electric Wall Oven/Warmer Drawer Combination Installation Specifications

- Always consult local and/or national electric codes. (Refer to product-specific electrical specifications on this page.)
- Minimum 24" deep cutout dimension is critical for proper combination installation, to ensure that each built-in product's faceplate will fit flush against cabinet front.
- Bases must be level and cabinet front must be square.
- Minimum 4-1/2" required distance from bottom of Warmer Drawer cutout to floor.
- Respect critical dimensions as noted for proper installation of built-in products.
- Minimum 23-1/4" clearance needed for Wall Oven door depth when open.

30" High-Speed Ovens Specifications

- Product Weights – (E30SO75FPS/E30SO75ESS) 115 Lbs.
- Single phase 3- or 4-wire cable, 240 Volt, 60 Hertz AC only electrical supply with ground required on separate circuit fused on both sides of line.
- Connected Load (kW Rating) @ 240 Volts = 3.3kW
- Amps @ 240 Volts = 13.2 Amps
- Full base of solid plywood or similar material required, capable of supporting 130 Lbs.
- Minimum 2-5/8" clearance required from bottom of High-Speed Oven cutout to top edge of Wall Oven's faceplate, leaving a 2" visible area between both product faceplates.

30" Electric Single Wall Ovens Specifications

- Product Weights – (E30EW75GPS) 178 Lbs. / (E30EW75GSS) 175 Lbs.
- Single phase 3- or 4-wire cable, 120/240 or 120/208 Volt, 60 Hertz AC only electrical supply with ground required on separate circuit fused on both sides of line.
- Connected Load (kW Rating) @ 240/208 Volts = 4.0/3.0kW
- Amps @ 240/208 Volts = 16.6/14.4 Amps
- To support Wall Oven, two 3"-wide x 3/4" thick planks must be installed as a base, capable of supporting 200 Lbs. Do NOT use full base, since planks are necessary to allow for proper air displacement.

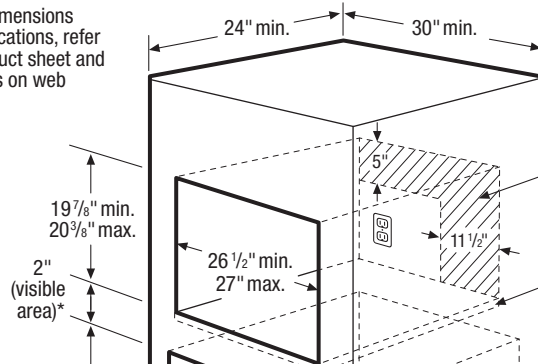
30" Warmer Drawers Specifications

- Product Weights – (E30WD75GPS/E30WD75GSS) 49 Lbs. / (E30WD75GTT) 41 Lbs.
- Voltage Rating – 120V/450W/60Hz/15 Amps
- Connected Load (kW Rating) @ 120 Volts = 0.45kW (For use on adequately wired 120V, dedicated circuit having 2-wire service with a separate ground wire. Appliance must be grounded for safe operation.)
- Amps @ 120V = 3.75 Amps
- Full base of solid plywood or similar material required, capable of supporting 100 Lbs.

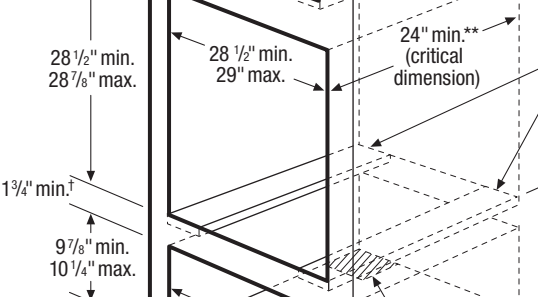
Note: Refer to Product Installation Guide for detailed instructions on the web at electroluxusa.com.

For detailed product dimensions and installation specifications, refer to model-specific product sheet and installation instructions on web

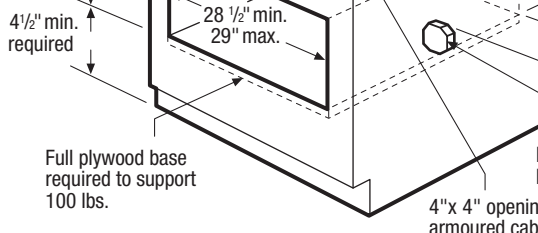
**E30M065GSS
Microwave Oven
Cutout**



**E30EW75GPS
E30EW75GSS
Electric Single
Wall Oven Cutout**



**E30WD75GPS
E30WD75GSS
E30WD75GTT
Warmer Drawer
Cutout**



120V/60Hz grounded electrical outlet should NOT be located within shaded area

Full plywood base required to support 100 lbs.

Two 3" wide by 3/4" thick planks must be installed, capable of supporting 200 lbs.

Bottom of oven cutout

11 5/8" min.** (critical dimension)

3" max.††

Full plywood base required to support 100 lbs.

4" x 4" opening to route armored cable

* Minimum 3 1/8" clearance required from bottom of Built-In Microwave Oven cutout to top edge of Wall Oven's faceplate, leaving a 2" visible area between both product faceplates

** Critical dimension – MUST be applied

† Maximum height depends on critical dimension (11 5/8")

†† Electrical junction box for Wall Oven must be lower than the Warmer Drawer cutout

Microwave Oven/Electric Single Wall Oven/Warmer Drawer Combination Installation Specifications

- Always consult local and/or national electric codes. (Refer to product-specific electrical specifications on this page.)
- Minimum 24" deep cutout dimension is critical for proper combination installation, to ensure that each built-in product's faceplate will fit flush against cabinet front.
- Bases must be level and cabinet front must be square.
- Minimum 4-1/2" required distance from bottom of Warmer Drawer cutout to floor.
- Respect critical dimensions as noted for proper installation of built-in products.
- Minimum 23-1/4" clearance needed for Wall Oven door depth when open.

30" Built-In Convection Microwave Specifications

- Product Weight – 60 Lbs.
- Voltage Rating – 120V / 60Hz / 15 Amps
- Connected Load (kW Rating) @ 120 Volts = 1.55kW (For use on adequately wired 120V, dedicated circuit having 2-wire service with a separate ground wire. Appliance must be grounded for safe operation.)
- Amps @ 120 Volts = 13 Amps
- Full base of solid plywood or similar material required, capable of supporting 100 Lbs.
- Minimum 3-1/8" clearance required from bottom of Built-In Microwave cutout to top edge of Wall Oven's faceplate, leaving a 2" visible area between both product faceplates.

30" Electric Single Wall Ovens Specifications

- Product Weights – (E30EW75GPS) 178 Lbs. / (E30EW75GSS) 175 Lbs.
- Single phase 3- or 4-wire cable, 120/240 or 120/208 Volt, 60 Hertz AC only electrical supply with ground required on separate circuit fused on both sides of line.
- Connected Load (kW Rating) @ 240/208 Volts = 4.0/3.0kW
- Amps @ 240/208 Volts = 16.6/14.4 Amps
- To support Wall Oven, two 3"-wide x 3/4" thick planks must be installed as a base, capable of supporting 200 Lbs. Do NOT use full base, since planks are necessary to allow for proper air displacement.

30" Warmer Drawers Specifications

- Product Weights – (E30WD75GPS/E30WD75GSS) 49 Lbs. / (E30WD75GTT) 41 Lbs.
- Voltage Rating – 120V/450W/60Hz/15 Amps
- Connected Load (kW Rating) @ 120 Volts = 0.45kW (For use on adequately wired 120V, dedicated circuit having 2-wire service with a separate ground wire. Appliance must be grounded for safe operation.)
- Amps @ 120V = 3.75 Amps
- Full base of solid plywood or similar material required, capable of supporting 100 Lbs.

Note: Refer to Product Installation Guide for detailed instructions on the web at electroluxusa.com.