



30" DUAL-FUEL FREESTANDING RANGE **E30DF74EPS**
professional series



30" Dual-Fuel Freestanding Range

- Product Weight – 260 Lbs.
- Electrical Requirements – 240 Volts AC, 4-wire, 60 Hertz, 30 Amps Dedicated Circuit
- Total Connected Load – 4.1 kW (17 Amps)
- Always consult local and/or national electric and gas codes.
- Range ships with 3/4" factory regulator.
- Lp conversion kit supplied.
- Overhead cabinetry should not exceed a 13" maximum depth.
- Allow 30" minimum clearance between top of rangetop and bottom of unprotected wood or metal overhead cabinetry.
- Allow 10" minimum clearance from edge of rangetop to nearest combustible wall on either side of unit.
- Allow 24" minimum clearance when bottom of wood or metal overhead cabinet is protected by not less than 1/8" flame-retardant millboard covered with not less than No.28 MGS sheet steel, 0.015" stainless steel, 0.024" aluminum or 0.020" copper.
- To reduce risk of fire when using overhead cabinetry, install range hood that projects horizontally a recommended minimum of 5" beyond bottom of cabinets.

Note: Refer to Product Installation Guide for detailed instructions on the web at www.electroluxusa.com.

Smooth-Glide™ Oven Racks

Imagine oven racks that glide with unparalleled ease and extend fully for effortless access to your meal. We designed a centered easy-grip handle and a patented ball-bearing rack system for smooth-gliding performance with the touch of a finger.

Four Burners, Interlocking Grates

Designed for cooking multiple dishes at varying temperatures on a single rangetop. Interlocking grates spread weight over a broad area providing an ultrastable cook surface.

Third Element European Convection System

By adding a third cooking element and a convection fan, heat is distributed faster and more evenly throughout the oven. Cooking every meal to perfection has never been easier.

Vantage Flame™

The automatic re-ignition feature allows the ignitors to spark spontaneously should the flame go out or become severely distorted by a draft, providing ease-of-mind while cooking.

Sealed Cooktop Spill-Basin

Cleanup is convenient with individual black porcelain-coated areas beneath each burner to catch spills.

30" DUAL-FUEL FREESTANDING RANGE

CONTROL PANEL FEATURES

| | |
|---|-----|
| Electronic Oven Control | Yes |
| Formed Stainless Steel Platform | Yes |
| Large Professional Skirted Knobs with Bezel | 6 |

COOKTOP

| | |
|--|-----|
| Sealed Power Burner™ – 17,000 BTU | 1 |
| Sealed Burner™ – 15,000 BTU | 2 |
| Sealed Precision Burner™ – 8,500 - 850 BTU | 1 |
| Interlocking Grates | 3 |
| Electronic Ignition with Auto Re-Ignition | Yes |

OVEN CAVITY

| | |
|--|-------------|
| Capacity | 3.9 Cu. Ft. |
| Bake Element | 3400 Watt |
| Broil Element | 4000 Watt |
| Convection Element | 2200 Watt |
| Cobalt Blue Interior | Yes |
| 3rd Element European Convection System | Yes |
| Self-Clean with Door Lock | Yes |
| Oven Light | 2 |
| Eight-Pass Bake & Broil | Yes |
| Smooth-Glide™ Racks | 3 |
| Conventional Rack | 1 |

ADDITIONAL FEATURES

| | |
|-----------------------------------|-----|
| 6" Stainless Steel Backsplash | Yes |
| Full Stainless Steel Side Panels | Yes |
| Professional Handle | Yes |
| Fully Adjustable, Heavy-Duty Legs | Yes |

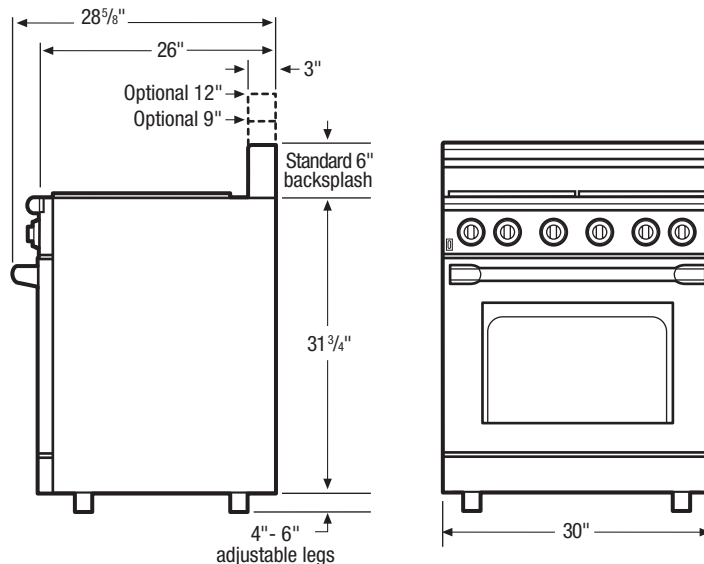
ACCESSORIES

| | |
|---------------------------------------|----------|
| Broil Pan and Insert | Included |
| Stainless Steel Cleaner | Included |
| Griddle | Included |
| Wok Ring | Included |
| Simmer Plate | Included |
| Black Knobs | |
| Black Burner Knob | Optional |
| Black Thermostat Knob | Optional |
| Black Oven Selection Knob | Optional |
| Backsplash – | |
| 9" Stainless Steel – ACCBG09-30 | Optional |
| 12" Stainless Steel – ACCBG12-30 | Optional |
| Stainless Steel Kick Plate – KIKPLT30 | Optional |

SPECIFICATIONS

| | |
|----------------------------|-------------|
| Cutout Dimensions – | |
| Height | 31-3/4" |
| Width | 30-1/16" |
| Depth | 24" |
| LP Conversion Kit | Included |
| Voltage Rating | 240V/30 Amp |
| Product Weight | 260 Lbs. |
| Shipping Weight | 289 Lbs. |
| UPC (0-12505-) | 53956-5 |

NOTE: Always consult local and/or national electric codes. Refer to Product Installation Guide for detailed installation instructions on the web at www.electroluxusa.com.



USA • 250 Bobby Jones Expressway • Augusta, GA 30907
1-877-4electrolux (1-877-435-3287) • www.electroluxusa.com

CANADA • 5855 Terry Fox Way • Mississauga, ON L5V 3E4
1-800-668-4606 • www.electroluxca.com