

UNDER-COUNTER WINE COOLER **E24WC48EPS**



Under-Counter Wine Cooler Specifications

- Product Weight – 128 Lbs.
- Voltage Rating – 115V/60 Hz/15 Amps
- Electrical cable supplied.
- Single phase 3-wire, 115 Volt, 60 Hertz AC only electrical supply with ground required.
- Can be used freestanding, or built-in under counter.
- Does not require additional airspace for top, sides or rear when used in built-in application. Increase unit dimensions by at least 1/4" for recommended rough opening.
- Front grill MUST remain unobstructed for proper ventilation.
- Must be positioned on flat, level surface, capable of supporting entire weight when fully loaded.
- Leveling legs supplied to adjust height and level unit.
- Do not position unit near any heat source to ensure optimum performance.
- Must be positioned to allow for 90° door swing, providing sliding shelves with necessary clearance. (Door is field reversible for right- or left-hand opening.)
- When installing next to wall where handle may make contact, allow 3" clearance between opened door and wall.
- Natural wood trim on wine shelves is factory sealed for protection, but can be stained.

Note: Refer to Product Installation Guide for detailed instructions on the web at www.electroluxusa.com.

48-Bottle Capacity

The space-efficient, under-counter wine cooler safely and conveniently stores up to 48 bottles.

Maple Trimmed, Slide-Out Wine Racks

Five shelves, beautifully trimmed in maple, securely store and provide easy access to your favorite wines. Maple trimmed shelves can be stained to blend with surrounding cabinets.

Lower Level Display Rack

The lower level display is ideal for showing off the finest wines in your collection.

Tinted, Thermal, UV-Resistant Glass Door

Tinted, thermal-tempered glass door protects your wine collection from potentially harmful UV light rays.

Adjustable Temperature Range

The Electrolux ICON™ Wine Cooler offers three temperature zones, so you have the right temperature for your red, white, and sparkling wines.

Interior Light

For maximum visibility, lighting illuminates the interior as the door is opened. For display purposes, the interior light can be set to constant on.

Self-Closing Door

Hinge system activates 8 to 10 inches from the closed position, assuring door closure.

UNDER-COUNTER WINE COOLER

| | |
|----------|------------|
| Capacity | 48 Bottles |
|----------|------------|

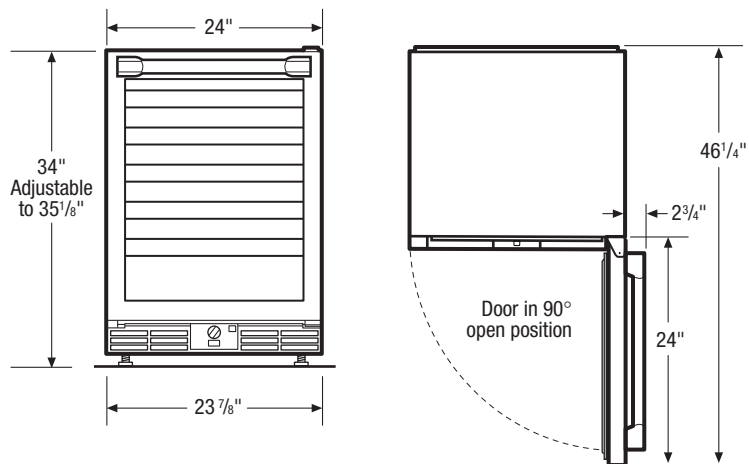
FEATURES

| | |
|---|-------------|
| Full-Extension Slide-Out Shelves | 5 |
| Black Vinyl Coated Shelves | Yes |
| Unfinished Maple Fronts on Shelves | Yes |
| Removable Shelves for Larger Bottle Storage | Yes |
| Lower Level Display Rack | Yes |
| Tinted, Thermal, UV-Resistant Glass Door | Yes |
| Interior Light with Constant On Option | Yes |
| Adjustable Temperature Control | Yes |
| Temperature Range | 45° – 60° F |
| Auto Defrost | Yes |
| Self-Closing Door Mechanism | Yes |
| Field Reversible Door Swing | Yes |
| Adjustable Leveling Legs | Yes |
| Approved for Under-Counter Application | Yes |

SPECIFICATIONS

| | |
|---------------------|--------------|
| Cutout Dimensions – | |
| Height | 34-1/4" min. |
| Width | 24-1/2" |
| Depth | 24" min. |
| Product Weight | 128 Lbs. |
| Shipping Weight | 137 Lbs. |
| UPC (0-12505-) | 74405-1 |

NOTE: Always consult local and/or national electric codes. Refer to Product Installation Guide for detailed installation instructions on the web at www.electroluxusa.com.



USA • 250 Bobby Jones Expressway • Augusta, GA 30907
1-877-4electrolux (1-877-435-3287) • www.electroluxusa.com

CANADA • 5855 Terry Fox Way • Mississauga, ON L5V 3E4
1-800-668-4606 • www.electroluxca.com