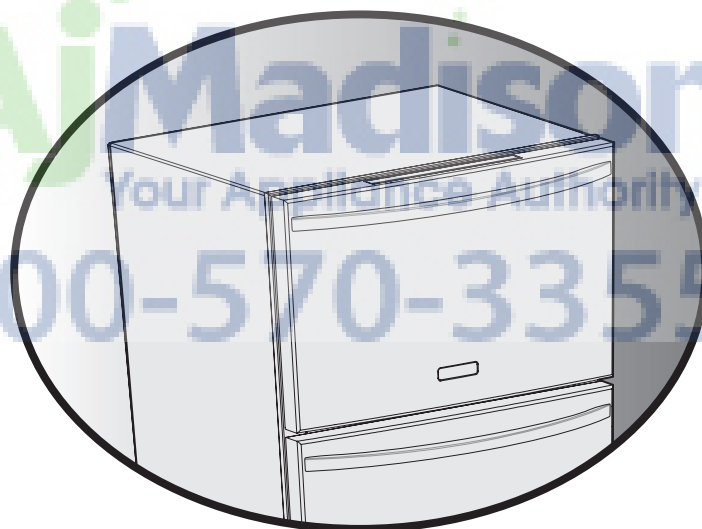


Use & Care Guide
Refrigerator Drawers

Guia de Uso y Cuidado
Cajones de refrigerador

Guide D'utilisation et D'entretien
Tiroirs de réfrigérateur



Electrolux ICON™

 **Electrolux**

2 Finding Information

Table of Contents

Finding Information.....	2
Safety.....	3
Installation.....	4
Start-Up and Temperature Control.....	7
Operation.....	8
Maintenance.....	9
Troubleshooting.....	11
Warranty Information	12

➔ IMPORTANT

PLEASE READ all instructions completely before attempting to install or operate the unit. All refrigerator drawers require a connection to an electrical power source. Improper hook-up can result in a safety hazard and potential damage to the product or contents! Proper installation, in accordance with the manufacturer's specifications and all local codes, is the sole responsibility of the consumer. The manufacturer is **not** responsible for any installation expenses or damages incurred due to improper installation. If you are unsure of your ability to safely connect electric power to the unit, consult a licensed and insured professional to perform all electrical work.

Please Read and Save This Guide

Thank you for choosing Electrolux, the new premium brand in home appliances. This Use & Care Guide is part of our commitment to customer satisfaction and product quality throughout the service life of your new refrigerator drawers.

We view your purchase as the beginning of a relationship. To ensure our ability to continue serving you, please use this page to record key product information.

Once you have your unit installed, we suggest you keep this manual in a safe place for future reference. Should any problems occur, refer to the "Troubleshooting" section of this manual. This information will help you quickly identify potential problems and provide **Suggested Solutions**. In the event you require assistance, please contact the dealer where you purchased your unit.

Make a Record for Quick Reference

Whenever you call to request information or service, you will need to provide your model number and serial number. You can find this information on the serial

plate located on the ceiling of your unit and on the product registration card.

Product Registration Card

The package containing this manual also includes your product registration information. Warranty coverage begins at the time your Electrolux refrigerator drawers were purchased.

NOTE

Registering your product with Electrolux enhances our ability to serve you. You can register online at **www.electroluxappliances.com** or by dropping your Product Registration Card in the mail. Complete and mail the Product Registration Card as soon as possible to validate the registration date.

Please record the purchase date of your Electrolux unit and your dealer's name, address, and telephone number.

Purchase Date

Electrolux Model Number

Electrolux Serial Number

Dealer Name

Dealer Address

Dealer Telephone

Keep this manual and the sales receipt together in a safe place for future reference. We also recommend stapling your receipt to this page for safe keeping.

Questions?

For toll free telephone support in the U.S. and Canada: 1-877-4ELECTROLUX (1-877-435-3287)


For online support and Internet product information: www.electroluxicon.com

Important Safety Instructions

Safety Precautions

Do not attempt to install or operate your unit until you have read the safety precautions in this manual. Safety items throughout this manual are labeled with a Danger, Warning, or Caution based on the risk type.

Definitions

 This is the safety alert symbol. It is used to alert you to potential personal injury hazards. Obey all safety messages that follow this symbol to avoid possible injury or death.

DANGER

DANGER indicates an imminently hazardous situation that, if not avoided, will result in death or serious injury.

WARNING

WARNING indicates a potentially hazardous situation that, if not avoided, may result in death or serious injury.

CAUTION

CAUTION indicates a potentially hazardous situation that, if not avoided, may result in minor or moderate injury.

IMPORTANT

Indicates installation, operation, or maintenance information that is important but not hazard-related.

General Precautions

WARNING

RISK OF CHILD ENTRAPMENT. Before you recycle your old appliance, take off the doors and leave shelves in place so that children may not easily climb inside.

WARNING

- Never attempt to repair or perform maintenance on the appliance until the electricity has been disconnected.
- Altering, cutting the power cord, removing the power cord, removing the power plug, or direct wiring can cause serious injury, fire, and/or loss of property and/or life and will void the warranty.
- Do not lift the appliance by the door handle.

CAUTION

- Use care when moving the appliance. Some edges are sharp and may cause personal injury. Wear gloves when moving or repositioning the unit.
- Never install the appliance behind closed doors. Be sure front grille is free of obstruction. Obstructing free air flow can cause the unit to malfunction and may void the warranty.
- Allow appliance temperature to stabilize for 24 hours before using.

CAUTION

- Use only genuine Electrolux replacement parts. Imitation parts can damage the unit and may void the warranty.

4 Installation

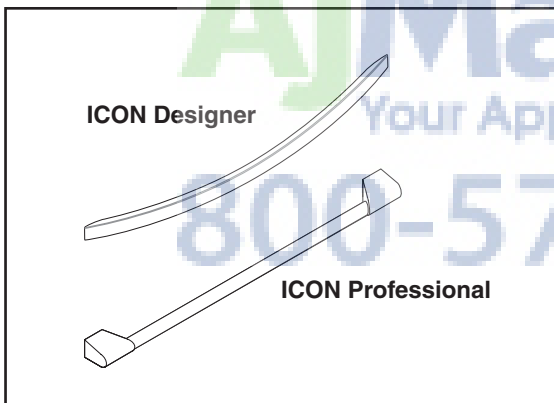
Installing the Refrigerator Drawers

➔ ATTENTION

This installation procedure is intended for use by persons having electrical and mechanical training and a level of knowledge of these subjects generally considered acceptable in the appliance repair trade. Electrolux Home Products cannot be responsible, nor assume any liability, for injury or damage of any kind arising from the use of this manual.

Your Electrolux refrigerator drawers have been designed for built-in installation. When built-in, your refrigerator drawers do not require additional air space for top, sides, or rear. The front grille must **NOT** be obstructed.

Your Electrolux refrigerator drawers may have either the Professional or Designer handles shown below. For ease of explanation, we will be showing only the Designer handles in most of the illustrations in this guide.



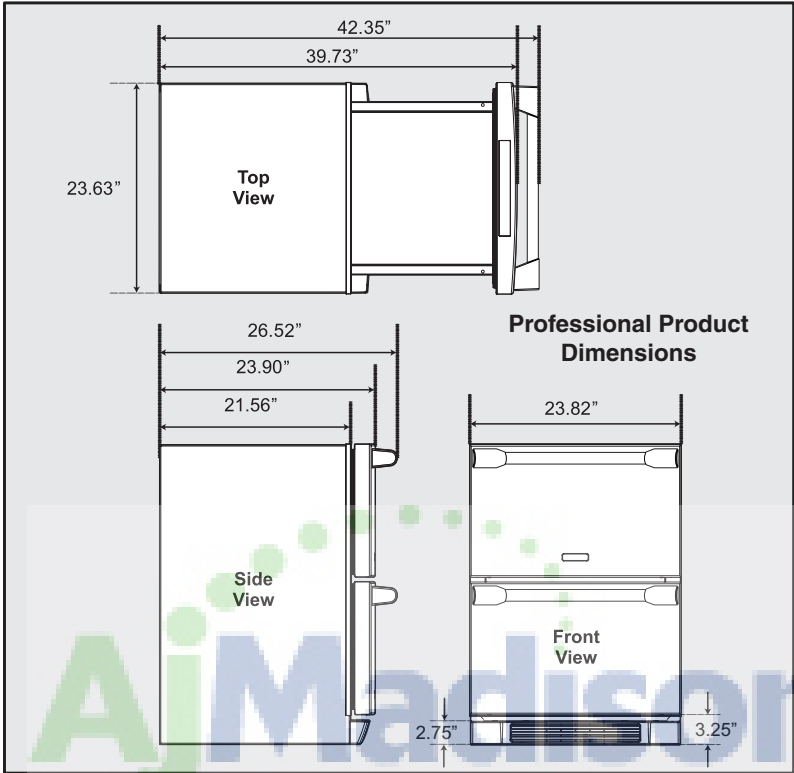
⚠ WARNING

Double drawer Refrigerator Drawers are designed to be built-in only. The appliance can not be free-standing.

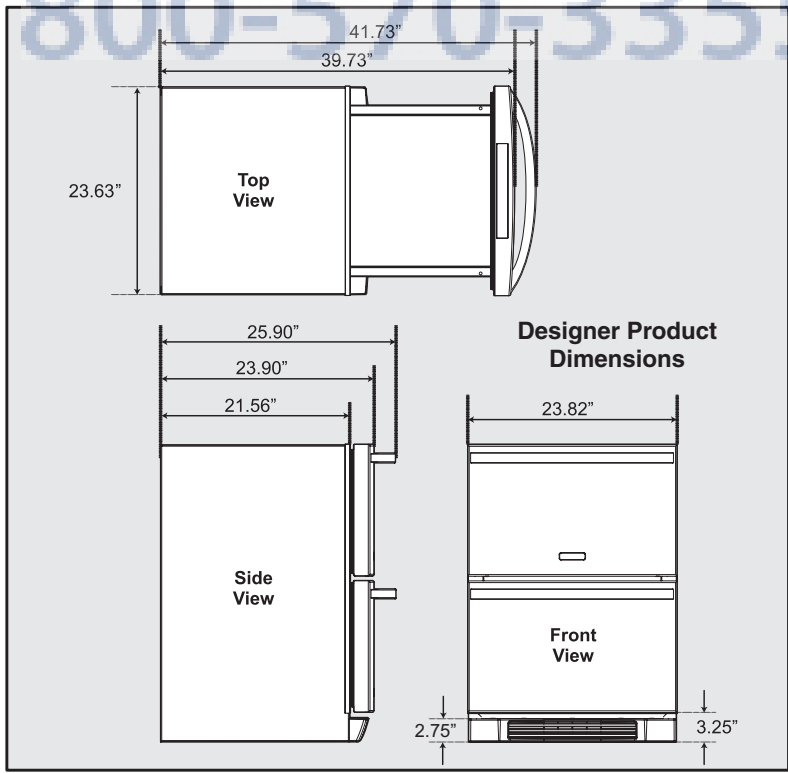
🗨 NOTE

- To ease appliance installation and removal, we recommend the cabinet rough opening dimensions be increased by at least $\frac{1}{4}$ inch over the dimensions given for your appliance.
- If the unit is being installed into an existing opening that does not match the product dimensions, the anti tip bracket will not engage properly. Custom modifications will need to be made.
- Mounting screws provided are intended for mounting bracket directly to wall studs. **These screws will not work if used with sheetrock (dry wall) or anything other than wall studs. Longer screws will be required for those type of applications.**

Width	Height	Depth
23 ¹³ / ₁₆ inch	34-35 inches	26 ³ / ₄ inch



Width	Height	Depth
23 ¹³ / ₁₆ inch	34-35 inches	26 ³ / ₄ inch



6 Installation

Site Preparation

- 1 Position the appliance on a flat, level surface capable of supporting the entire weight of the unit. Remember the appliance will be significantly heavier once it is fully loaded.
- 2 This appliance requires a grounded and polarized 115 VAC, 60Hz, 15A circuit (normal household current).
- 3 Avoid connecting the unit to a Ground Fault Interruptor (GFI). GFIs are prone to nuisance tripping which will cause the unit to shut down. GFIs are generally not used on circuits which power equipment that must run unattended for long periods of time.
- 4 The appliance must be installed according to your local codes and ordinances.

WARNING

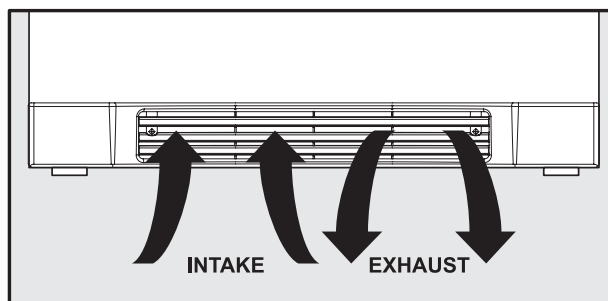
ELECTROCUTION HAZARD!

Electrical Grounding Required - This appliance is equipped with a three prong (grounding) polarized plug for your protection against possible shock hazards.

- NEVER remove the round grounding prong from the plug.
- NEVER use a two-prong grounding adapter.
- NEVER use an extension cord to connect power to the unit.

Where a two-prong wall receptacle is encountered or a longer power cord is required, contact a qualified electrician to have it replaced in accordance with applicable electrical codes.

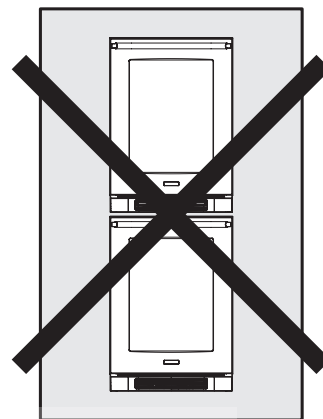
- 5 Position the appliance to allow free air flow through the front grille.



- 6 Wipe out inside of unit with a damp cloth.
- 7 Be sure to install the Anti-Tip bracket. Follow the instructions provided with the Anti-Tip bracket kit.

WARNING

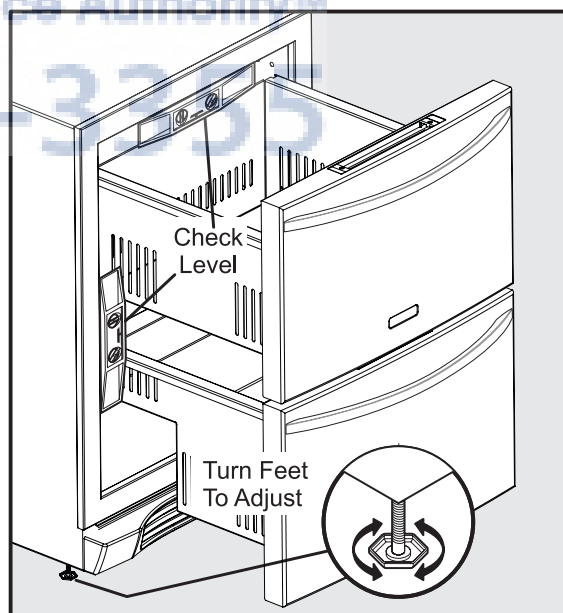
The Anti-Tip Kit must be installed on this unit before it is used. Double stacking units may cause serious personal injury.



Leveling the Appliance

Position the appliance on a flat, level surface capable of supporting the entire weight when full.

This appliance contains four (4) adjustable leveling legs. Turn the legs clockwise to raise and counterclockwise to lower.



Starting the Appliance

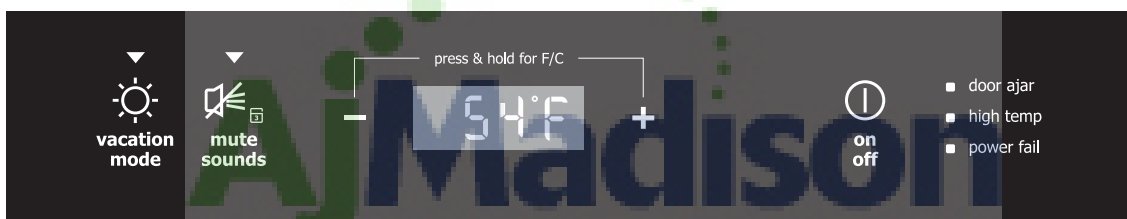
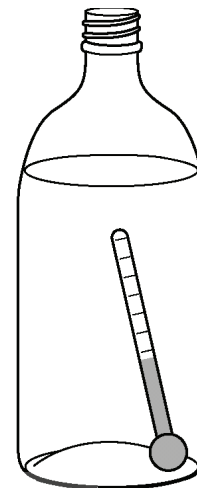
Your refrigerator drawers appliance is shipped in the ON position; however, you may turn it ON or OFF by pressing and holding the ON/OFF for three (3) seconds and then releasing the key.

Adjusting the Temperature

To accurately check the temperature, insert a reliable thermometer into a plastic (non-breakable) bottle, partially filled with water. Tighten the bottle cap securely.

Place the bottle in the desired area for 24 hours. Refrain from opening the appliance during the testing period. After 24 hours, check the temperature of the water.

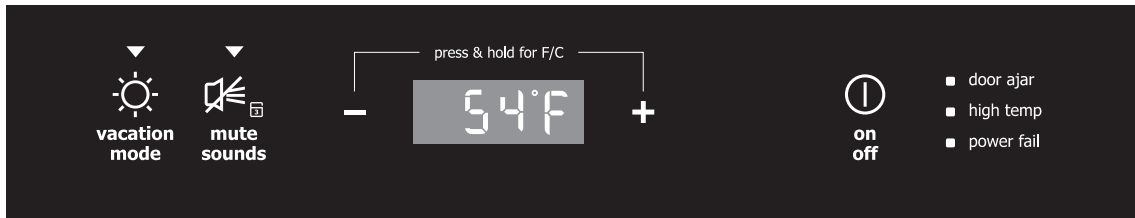
Press and release the (+) or (-) indicator to adjust the temperature to the desired setting. The temperature display will begin to blink with the first touch and release. Adjust the temperature by touching and releasing the key. After three (3) seconds of inactivity, the display will beep to accept the new temperature.



Factors that affect the internal temperatures of the cabinet include:

- 1 Temperature setting
- 2 Room temperature where installed
- 3 Number of times the door is opened and closed
- 4 Amount of time the internal light is illuminated
- 5 Installation in direct sunlight or near a heat source which we do not recommend.

8 Operation



Description of Features

- vacation mode** Conserves energy by disabling interior lights and keypad inputs.
- mute sounds** Tones emitted by each keypress can be turned off based on user preference. The sounds are muted when the red indicator is lit. The **mute sounds** key also is used to acknowledge alarm conditions, denoted by a flashing red indicator. Press and hold the **mute sounds** key for three (3) seconds then release to enable **control lock**, which prevents undesired changes to the unit settings. Temperature display will show “LOC”.
- temperature** Simultaneously press and hold the (+) and (-) keys for three (3) seconds then releasing the key causes the temperature display to toggle from Fahrenheit to Celsius and back again.
- on off mode** Press and hold for three (3) seconds then release the key. This allows the user to turn off the cooling system. The temperature display will display “OFF”. **THIS DOES NOT REMOVE POWER FROM THE UNIT.**

Alarms

- door ajar** If the door has been left open for five (5) minutes, an audible alarm will sound and the **door ajar** indicator will illuminate on the right side of the display. The **mute sounds** indicator will blink. Pressing and releasing the **mute sounds** key will acknowledge the alarm and disable the audible portion. The **door ajar** indicator will continue to blink until the door is closed.
- high temp** In the event of a high temperature condition, an audible alarm will sound, the temperature display will blink and display “HI”, and the **high temp** indicator on the right side of the display will blink. The **mute sounds** indicator will blink. Pressing and releasing the **mute sounds** key will acknowledge the alarm and disable the audible portion. All other modes are turned off until the alarm is acknowledged. The **high temperature** indicator and

power fail

“HI” will stay illuminated until a normal safe range operating temperature has been reached, at which time the temperature display will show the actual temperature.

In the event of a power failure or initial power-up, an audible alarm will sound and the **power fail** indicator on the right side of the display will blink. The **mute sounds** indicator will blink. Pressing and releasing the **mute sounds** key will acknowledge the alarm and disable the audible portion. All other functions are disabled until the alarm is acknowledged, at which point the **power fail** indicator is turned off and the unit will resume normal operation. The **high temp** alarm may also be illuminated until a safe temperature has been reached.

Notifications

air filter

After six months of use the display will show **AF**. This is a reminder that it is time to change the PureAdvantage™ air filter. The product will continue to function normally. Pressing any key will reset the reminder for 10 minutes. Once the PureAdvantage™ air filter is replaced, pressing the “On/Off” and “-” keys for three seconds will reset the reminder for another six months.

Sabbath Mode



Sabbath mode disables portions of the unit and its controls in accordance with the weekly Sabbath and religious holidays observed within the Orthodox Jewish community.

Sabbath mode is enabled and disabled by pressing and holding the **vacation mode** key for five (5) seconds and then releasing the key. Temperature display shows “Sb” while in Sabbath mode.

The customer may open or close the door at any time without concern of directly turning on or off any lights, digital readouts, solenoids, fans, valves, compressor, icons, tones or alarms. After power failure, the appliance will immediately return to Sabbath mode.

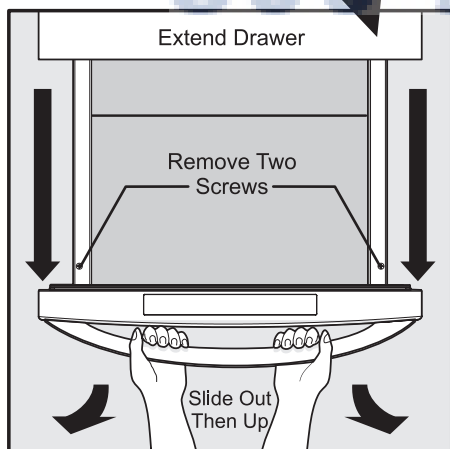
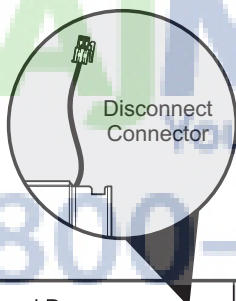
While in Sabbath mode, alarm indicators will not illuminate, nor be accompanied by audible alarms.

For further assistance, guidelines for proper usage and a complete list of models with the Sabbath feature, please visit the web at <http://www.star-k.org>.

Removing Your Refrigerator Drawers

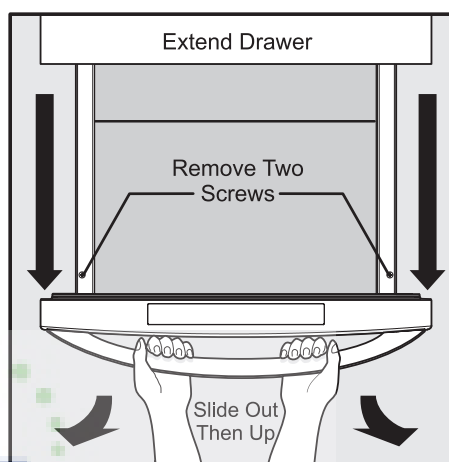
To remove the top drawer:

1. Fully extend the drawer.
2. Disconnect connector.
3. Remove two screws using Phillips® screwdriver.
4. Remove drawer by sliding forward 1/2" and pull up.
5. Reverse procedure to reinstall drawer.



To remove the bottom drawer:

1. Fully extend the drawer.
2. Remove two screws using Phillips® screwdriver.
3. Remove drawer by sliding forward 1/2" and pull up.
4. Reverse procedure to reinstall drawer.



Maintaining Your Refrigerator Drawers

Periodic cleaning and proper maintenance will ensure efficiency, top performance, and long life. The maintenance intervals listed are based on normal conditions. You may want to shorten the intervals if you have pets or other special considerations.

Exterior Cleaning for Your Stainless Steel Model

- Your stainless steel model may discolor when exposed to chlorine gas, pool chemicals, salt water, cleaners with bleach, or citrus based cleansers.
- Keep your stainless appliance looking new by cleaning with a high quality, all-in-one stainless steel cleaner/polish and a soft cloth on a monthly basis. Frequent cleaning will remove surface contamination that could lead to rust. Some installations will require cleaning on a weekly basis.
- DO NOT CLEAN WITH STEEL WOOL PADS.
- DO NOT USE CLEANERS THAT ARE NOT SPECIFICALLY INTENDED FOR STAINLESS STEEL (this includes glass, tile, and counter cleansers).
- If any surface discolors or rusting appears, clean it quickly with Bon-Ami® or Barkeepers Friend® Cleanser and a non-abrasive cloth. Always clean

10 Maintenance

in the direction of the grain. Always finish this process with a high quality, all-in-one stainless steel cleaner/polish to prevent further problems.

- USE OF ABRASIVE PADS SUCH AS SCOTCHBRITE WILL CAUSE THE GRAINING IN THE STAINLESS TO BECOME BLURRED.
- Rust that is allowed to linger can penetrate into the surface of the stainless steel and become impossible to remove.

CAUTION

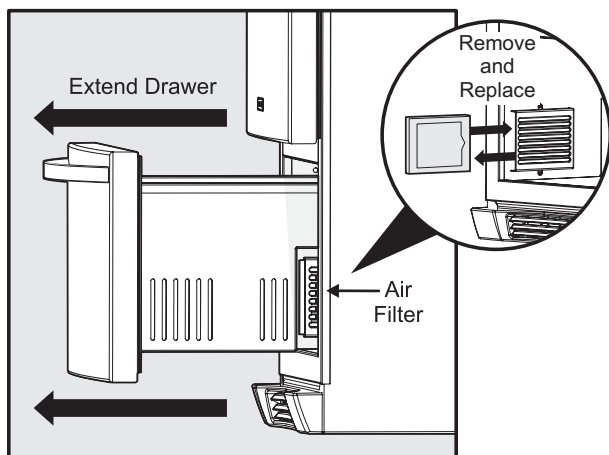
- **Stainless steel models exposed to chlorine gas and moisture such as areas with spas or swimming pools, may have some discoloration of the stainless steel. Discoloration from chlorine gas is normal. Follow exterior cleaning instructions.**
- **NEVER USE CHLORIDE TO CLEAN STAINLESS STEEL.**

Interior Cleaning - as Required

- 1 Disconnect power to the refrigerator drawers.
- 2 Wipe down the interior with a solution of non-abrasive mild detergent and warm water.
- 3 Rinse with clear water.
- 4 Reconnect power to the unit.

To Replace the Air Filter:

1. Fully extend lower drawer. Air filter is located on lower left wall of cabinet.
2. Remove old filter and replace with a new PureAdvantage™ air filter.



Before You Call for Service

If the appliance appears to be malfunctioning, read through this manual first. If the problem persists, check the **Troubleshooting Guide** below. Locate the problem in the guide and refer to the cause and its remedy before calling for service. The problem may be something very simple that can be solved without a service call. Some remedies listed in the **Troubleshooting Guide** are very complex. Consulting or contracting a qualified service technician may be necessary.

If Service is Required

Contact the dealer where you purchased the appliance if service is required. State the model and serial number and explain the problem. The model and serial number plate is located on the ceiling of your appliance.

If you do not know the name of the selling dealer or a local service company, you can check online at www.electroluxicon.com, or call 1-877-435-3287.

WARNING

ELECTROCUTION HAZARD

NEVER attempt to repair or perform maintenance on the unit until the main electrical power has been disconnected.

Problem	Possible Cause	Remedy
Appliance not cold enough	<ul style="list-style-type: none"> Control set too warm Airflow to front grille blocked Door gasket not sealing properly. 	<ul style="list-style-type: none"> Adjust temperature colder. See “Adjusting the Temperature” in the “Start-Up and Temperature Control” section. Allow 24 hours for temperature to stabilize. Airflow must not be obstructed to front grille. See “Installation” Section. Adjust door gasket.
Appliance too cold	<ul style="list-style-type: none"> Control set too cold 	<ul style="list-style-type: none"> Adjust temperature warmer. See “Adjusting the Temperature” in the “Start-Up and Temperature Control” section. Allow 24 hours for temperature to stabilize.
No interior light	<ul style="list-style-type: none"> Failed LED assembly 	<ul style="list-style-type: none"> Contact a qualified Electrolux Service Technician.
Light will not go out when door is closed	<ul style="list-style-type: none"> Door switch not making contact 	<ul style="list-style-type: none"> Check for proper door alignment.

12 Warranty Information

REFRIGERATOR WARRANTY *Your refrigerator is protected by this warranty*

	WARRANTY PERIOD	THROUGH OUR AUTHORIZED SERVICERS, WE WILL:	THE CONSUMER WILL BE RESPONSIBLE FOR:
FULL ONE-YEAR WARRANTY	One year from original purchase date.	Pay all costs for repairing or replacing any parts of this appliance which prove to be defective in materials or workmanship. Excludes original and replacement Ice & Water filter cartridges (if equipped). Original and replacement cartridges are warranted for 30 days (parts only).	Costs of service calls that are listed under NORMAL RESPONSIBILITIES OF THE CONSUMER.*
LIMITED 2nd- 5th YEAR WARRANTY (Cabinet Liner and Sealed System)	Second through fifth years from original purchase date.	Repair or replace any parts in the cabinet liner or sealed refrigeration system (compressor, condenser, evaporator, dryer or tubing) which prove to be defective in materials or workmanship.	Costs for pickup and delivery of the appliance required because of service. Costs for labor, parts and transportation other than with respect to the cabinet liner or Sealed Refrigeration System.
LIMITED WARRANTY (Applicable to the State of Alaska)	Time periods listed above.	All of the provisions of the full warranties above and the exclusions listed below apply.	Costs of the technician's travel to the home and any costs for pick up and delivery of the appliance required because of service.

In the U.S.A., your appliance is warranted by Electrolux Home Products, Inc. We authorize no person to change or add to any of our obligations under this warranty. Our obligations for service and parts under this warranty must be performed by us or an authorized Electrolux Home Products, Inc. servicer. In Canada, your appliance is warranted by Electrolux Canada Corp.

*NORMAL RESPONSIBILITIES OF THE CUSTOMER

This warranty applies only to products in ordinary household use, and the consumer is responsible for the items listed below:

1. Proper use of the appliance in accordance with instructions provided with the product.
2. Proper installation by an authorized servicer in accordance with instructions provided with the appliance and in accordance with all local plumbing, electrical and/or gas codes.
3. Proper connection to a grounded power supply of sufficient voltage, replacement of blown fuses, repair of loose connections or defects in house wiring.
4. Expenses for making the appliance accessible for servicing, such as removal of trim, cupboards, shelves, etc., which are not a part of the appliance when it was shipped from the factory.
5. Damages to finish after installation.
6. Replacement of light bulbs and/or fluorescent tubes (on models with these features).

EXCLUSIONS

This warranty does not cover the following:

1. CONSEQUENTIAL OR INCIDENTAL DAMAGES SUCH AS PROPERTY DAMAGE AND INCIDENTAL EXPENSES RESULTING FROM ANY BREACH OF THIS WRITTEN OR ANY IMPLIED WARRANTY.

Note: Some states do not allow the exclusion or limitation of incidental or consequential damages, so this limitation or exclusion may not apply to you.

2. Service calls which do not involve malfunction or defects in workmanship or material, or for appliances not in ordinary household use. The consumer shall pay for such service calls.
3. Damages caused by services performed by servicers other than Electrolux Home Products, Inc., Electrolux Canada Corp., or its authorized servicers; use of parts other than genuine Electrolux Home Products parts; obtained from persons other than such servicers; or external causes such as abuse, misuse, inadequate power supply or acts of God.
4. Products with original serial numbers that have been removed or altered and cannot be readily determined.

IF YOU NEED SERVICE

Keep your bill of sale, delivery slip, or some other appropriate payment record. The date on the bill establishes the warranty period should service be required. If service is performed, it is in your best interest to obtain and keep all receipts. This written warranty gives you specific legal rights. You may also have other rights that vary from state to state. Service under this warranty must be obtained by contacting Electrolux Home Products, Inc. or Electrolux Canada Corp.

This warranty only applies in the 50 States of the U.S.A. and Puerto Rico, and Canada. Product features or specifications as described or illustrated are subject to change without notice. All warranties are made by Electrolux Home Products, Inc. In Canada, your appliance is warranted by Electrolux Canada Corp.

USA

877-435-3287

Electrolux Home Products, Inc.
P.O. Box 212378
Atlanta, GA 30917

Canada

866-213-9397

Electrolux Canada Corp.
6150 McLaughlin Road
Mississauga, Ontario
L5R 4C2