

# Under-Counter Ice Maker

E15IM60GSS designer series



### Crystal Clear Ice

Continuous flowing water where ice is formed, allows impurities to be separated from the water leaving ice free of odors, minerals and contaminants. Thirty-two, 7/8" cubes of crystal clear ice are produced per freeze cycle, up to sixty pounds per day.



### Digitally Controlled

Simple-to-use digital controls for consistent ice production throughout the day or night.



### Thirty-Pound Storage Capacity

The large capacity storage bin holds up to thirty pounds of restaurant-quality ice cubes.



### Frost-Free Performance

The Electrolux ICON™ Ice Maker is completely frost free. So you'll never have to defrost.

## 15" UNDER-COUNTER ICE MAKER

### FEATURES

Daily Ice Production	Up to 60 Lbs.
Ice Cube Type	Clear
Ice Cube Size	7/8"
Ice Cubes Produced per Cycle	32
Frost-Free Performance	Yes
3-Step Cleaning Process	Yes
Self-Cleaning of Mineral Deposits	Yes
Commercial Grade Heavy-Duty Circulation Pump	Yes
Quiet Operation	Yes
Field-Reversible Door	Yes
Self-Closing Door Mechanism	Yes
Adjustable Leveling Legs	Yes
Electronic Control with Blue LED Display	Yes
Power On/Off Switch	Yes

### ACCESSORIES

Ice Scoop	Included
Cleaning Kit – EIM41978	Optional
Drain Pump Kit – EIMP60 (to be used if gravity-assisted drain is not available)	Optional

### SPECIFICATIONS

Overall Dimensions –	
Height	34" – 35-1/4"
Width	14-7/8"
Depth (Including Handle) (with 90° Door Open)	25-1/2" 37-1/2"
Power Cord Location	Left Bottom Rear
Water Inlet Location	Left Bottom Rear
Gravity Assisted Drain	Required
Voltage Rating	120V/60Hz/15A
Connected Load (kW Rating) @ 120 Volts†	0.48
Approved for Under-Counter Installation	Yes
Product Weight	100 Lbs.
Shipping Weight (Approx.)	109 Lbs.

†For use on adequately wired 120V, dedicated circuit having 2-wire service with a separate ground wire. Appliance must be grounded for safe operation.

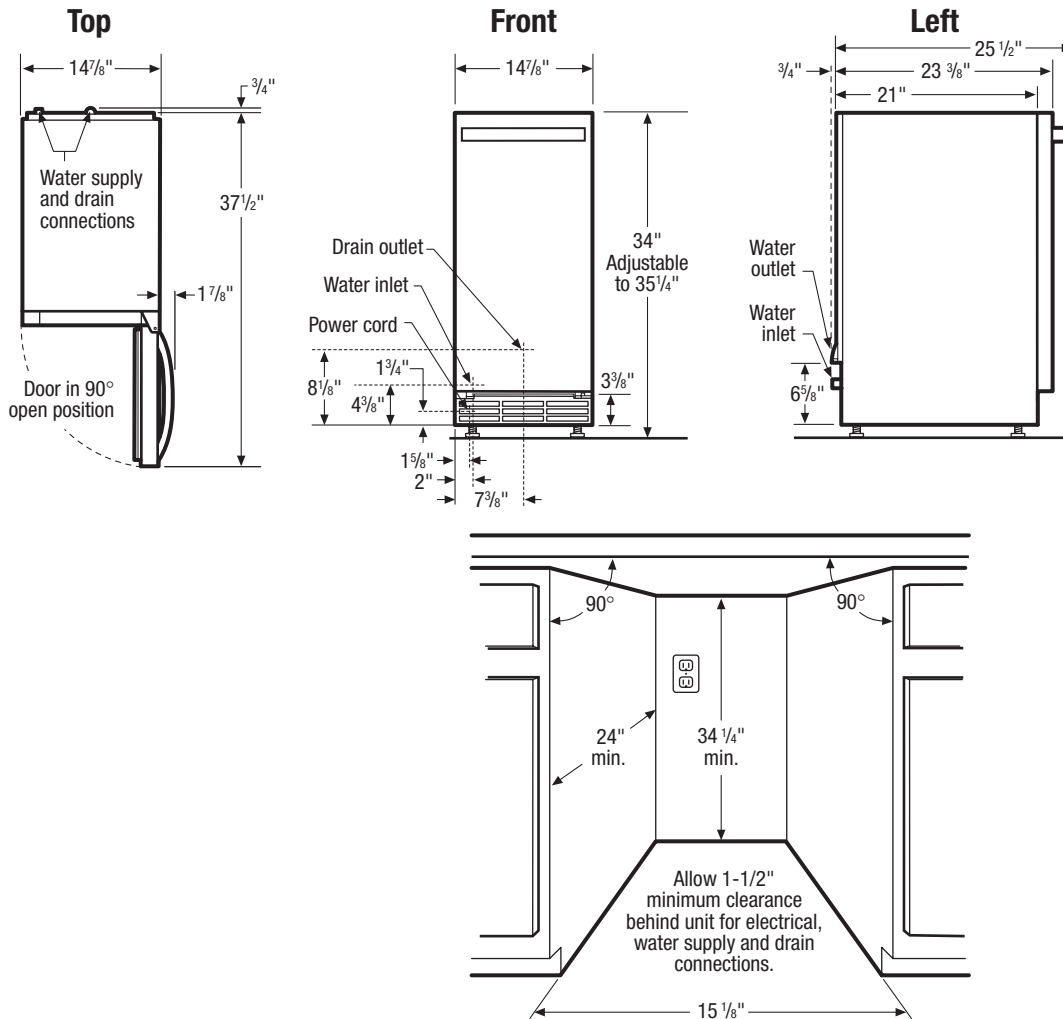
NOTE: Always consult local and/or national electric and plumbing codes. Refer to Product Installation Guide for detailed installation instructions on the web at [electroluxicon.com](http://electroluxicon.com).

Specifications subject to change.

# Under-Counter Ice Maker

E151M60GSS designer series

Electrolux | ICON™



## Under-Counter Ice Maker Specifications

- Product Weight – 100 Lbs.
- Voltage Rating – 120V/60 Hz/15 Amps
- Connected Load (kW Rating) @ 120 Volts = 0.48kW (For use on adequately wired 120V, dedicated circuit having 2-wire service with a separate ground wire. Appliance must be grounded for safe operation.)
- Amps @ 120 Volts = 4.0 Amps
- Electrical cable supplied.
- Water supply and electrical power source required.
- Always consult local and/or national electric & plumbing codes.
- Can be used freestanding, or built-in under counter.
- Does not require additional airspace for top, sides or rear when used in built-in application. Increase unit dimensions by at least 1/4" for recommended rough opening, allowing 1-1/2" minimum clearance in rear for water, drain and electrical connections.
- Front grille MUST remain unobstructed for proper ventilation.
- Can be installed using gravity drain, or factory-installed/equivalent drain pump.
- Drain lines must have 5/8" inside diameter, 1" drop per 48" (1/4" per foot) of run and must not create traps.
- Floor drain must be large enough to accommodate drainage from all drains.

- Recommended water pressure between 15 and 150 pounds per square inch (psi).
- Unit MUST be level for proper operation, and positioned on flat surface, capable of supporting entire weight when fully loaded.
- Leveling legs supplied to adjust height and level unit.
- Can be installed outdoors, out of direct sunlight. Do NOT install behind closed doors.
- Do not position unit near any heat source or in direct sunlight to ensure optimum performance. Surrounding air temperature must be at least 50°F but must not exceed 110°F.
- Must be positioned to allow for 90° door swing. (Door is field reversible for right- or left-hand opening.)
- When installing next to wall where handle may make contact, allow 3" clearance between opened door and wall.

**Note:** For planning purposes only. Refer to Product Installation Guide on the web at [electroluxicon.com](http://electroluxicon.com) for detailed instructions.

### Optional Accessories

- Drain Pump Kit – (EIMP60).
- Cleaning Kit – (EIM41978).



USA • 250 Bobby Jones Expressway • Augusta, GA 30907 • 1-877-4electrolux (1-877-435-3287) • [electroluxicon.com](http://electroluxicon.com)  
 CANADA • 5855 Terry Fox Way • Mississauga, ON L5V 3E4 • 1-800-265-8352 • [electroluxicon.ca](http://electroluxicon.ca)

E151M60GSS 03/08

© 2008 Electrolux Home Products, Inc.

High standards of quality at Electrolux Home Products, Inc. mean we are constantly working to improve our products. We reserve the right to change specifications or discontinue models without notice.

Printed in the U.S.A.