

UNDER-COUNTER ICE MAKER **E15IM60EPS**



Under-Counter Ice Maker Specifications

- Product Weight – 100 Lbs.
- Voltage Rating – 115V/60 Hz/ 15 Amps
- Electrical cable supplied.
- Single phase 3-wire, 115 Volt, 60 Hertz AC only electrical supply with ground required.
- Water supply and electrical power source required.
- Always consult local and/or national electric codes and local and/or state plumbing codes.
- Can be used freestanding, or built-in under counter.
- Does not require additional airspace for top, sides or rear when used in built-in application. Increase unit dimensions by at least 1/4" for recommended rough opening, allowing clearance in rear for water, drain and electrical connections.
- Front grill MUST remain unobstructed for proper ventilation.
- Can be installed using gravity drain, or factory-installed/equivalent drain pump.
- Drain lines must have 5/8" inside diameter, 1" drop per 48" (1/4" per foot) of run and must not create traps.
- Floor drain must be large enough to accommodate drainage from all drains.
- Recommended water pressure between 15 and 150 pounds per square inch (psi).
- Unit MUST be level for proper operation, and positioned on flat surface, capable of supporting entire weight when fully loaded.
- Leveling legs supplied to adjust height and level unit.
- Do not position unit near any heat source to ensure optimum performance.
- Must be positioned to allow for 90° door swing. (Door is field reversible for right- or left-hand opening.)
- When installing next to wall where handle may make contact, allow 2" clearance between opened door and wall.
- Can be installed outdoors, out of direct sunlight. Do NOT install behind closed doors.

Note: Refer to Product Installation Guide for detailed instructions on the web at www.electroluxusa.com.

Crystal Clear Ice

Clear ice is formed as cold water continuously flows over a grid where ice is formed in layers, releasing air from the ice, preventing "cloudy ice." The "Fractional Freezing" process separates impurities from the water so ice is free of odors, minerals and contaminants. Thirty-two, 7/8" cubes of crystal clear ice are produced per freeze cycle. That's up to sixty pounds per day.

Thirty-Pound Storage Capacity

The large capacity storage bin holds up to thirty pounds of restaurant-quality ice cubes.

Frost-Free Performance

The Under-Counter Ice Maker is completely frost free. So you'll never have to defrost.

3-Step Self Cleaning

Three-step self-cleaning process takes less than 45 minutes and removes the minerals and contaminants left from the "Fractional Freezing" process.

Electronic Control Module

Electronic controls monitor ice production to ensure maximum output so that you'll never run out of ice again.

Self-Closing Door

Hinge system activates 8 to 10 inches from the closed position, assuring door closure.

UNDER-COUNTER ICE MAKER

Capacity	Up to 30 Lbs.
----------	---------------

FEATURES

Daily Ice Production	Up to 60 Lbs.
Ice Cube Type	Clear
Ice Cube Size	7/8"
Ice Cubes Produced per Cycle	32
Frost-Free Performance	Yes
3-Step Cleaning Process	Yes
Self-Cleaning of Mineral Deposits	Yes
Commercial Grade Heavy-Duty Circulation Pump	Yes
Quiet Operation	Yes
Field Reversible Door	Yes
Self-Closing Door Mechanism	Yes
Adjustable Leveling Legs	Yes
Approved for Under-Counter Application	Yes

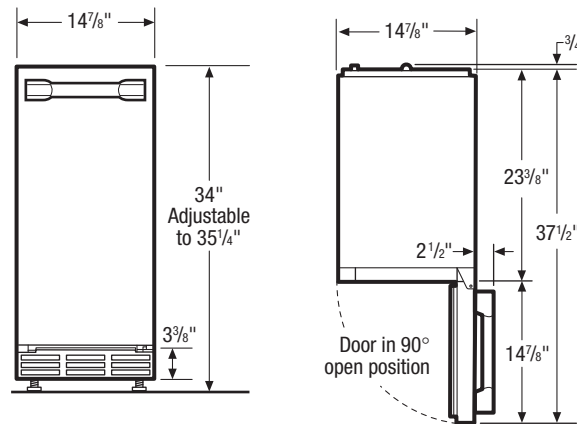
ACCESSORIES

Ice Scoop	Included
Drain Pump Kit (to be used if gravity-assisted drain is not available)	Available

SPECIFICATIONS

Cutout Dimensions –	
Height	34-1/4" min.
Width	15-3/8"
Depth	24" min.
Gravity Assisted Drain	Required
Product Weight	100 Lbs.
Shipping Weight	109 Lbs.
UPC (0-12505-)	74403-7

NOTE: Always consult local and/or national electric codes. Refer to Product Installation Guide for detailed installation instructions on the web at www.electroluxusa.com.



USA • 250 Bobby Jones Expressway • Augusta, GA 30907
1-877-4electrolux (1-877-435-3287) • www.electroluxusa.com

CANADA • 5855 Terry Fox Way • Mississauga, ON L5V 3E4
1-800-668-4606 • www.electroluxca.com