

Project Planning Guide

Built-In Trim Kits



Thinking of you
Electrolux



Achieve Your Vision

A true built-in kitchen design can be accomplished by using the Electrolux Built-In Trim Kits for refrigeration and freezer products in new construction, remodeling or replacement of existing units.

Electrolux and Electrolux ICON® All Freezer and All Refrigerator can be installed as a pair or individually for the ultimate in built-in styling and convenience.

The French Door and Side-by-Side Counter-Depth Refrigerators can also achieve built-in styling with a Louvered or Collar Trim Kit. The distinctive, streamlined Electrolux collection will enhance the beauty and versatility of your kitchen.

Photo Above: Electrolux ICON® All Freezer model E32AF75JPS and All Refrigerator model E32AR75JPS shown built in with Single Louvered Trim Kit (TRIMKITSS1).



Signature Styling

All Freezer & All Refrigerator (EI32AF65JS & EI32AR65JS)	4-5
All Freezer & All Refrigerator (E32AF75JPS & E32AR75JPS)	6-7

Planning Information

Trim Kit Compatibility	8
All Freezer & All Refrigerator Trim Kits:	
• Louvered Trim Kits (ECP8436SS & ECP8472SS)	9
• Collar Trim Kits (ECP7236SS & ECP7272SS)	10
• Louvered/Collar Trim Kits (TRIMKITSS1 & TRIMKITSS2)	11
Counter-Depth French Door Refrigerator Trim Kits:	
• Louvered Trim Kit (241723001)	12
• Collar Kit (ECK23CDS)	13
Counter-Depth Side-by-Side Refrigerator Trim Kits:	
• Louvered Trim Kit (4480)	14
• Collar Kit (ECK23CDS)	15
General Installation Guidelines:	
• For All Freezer & All Refrigerator	16
• For Counter-Depth French Door Refrigerator	17
• For Counter-Depth Side-by-Side Refrigerator	18
Planning Sketches & Notes	19



Electrolux

The Trim Kits are designed for replacement installation of specified Sub-Zero® brand units when installed with an Electrolux All Freezer and/or All Refrigerator, or for a new-build installation.



Stainless Steel Louvered Trim Kits

Designed for built-in installation with All-Freezer and All-Refrigerator models EI32AF65JS and EI32AR65JS; as a replacement option for the Sub-Zero® brand 650 Series models and for new-build installation.



Stainless Steel Collar Trim Kits

Designed for built-in installation with All-Freezer and All-Refrigerator models EI32AF65JS and EI32AR65JS; as a replacement option for the Sub-Zero® brand 601 Series models and for new-build installation.



Louvered/ Collar Trim Kits

Designed for built-in installation with All-Freezer and All-Refrigerator models EI32AF65JS and EI32AR65JS; as a replacement option for models E32AF75FPS and E32AR75FPS and for new-build installation.



Electrolux

Signature Styling

All Freezer & All Refrigerator
(EI32AF65JS & EI32AR65JS)

38 Cu. Ft. Total Capacity
19 cu. ft. freezer capacity,
19 cu. ft. refrigerator capacity.

Perfect Organization System
Our organization system features Luxury-Glide® drawers with removable / adjustable dividers and two mini baskets, Perfect Bins™ door storage that tilts out for easy access and a condiment shelf, so you can keep food organized and easily at hand.



Alarm System
Notifies you if there's been a power failure, if a door stays open longer than five minutes and if the interior temperature of the refrigerator rises above 56 degrees or if the freezer rises above 23 degrees for more than 60 minutes.

Luxury-Quiet™ Design
Designed for consistently quiet operation.

Sure-2-Fit® Capacity
Our most usable space inside gives you plenty of space for everything from party platters and beverages to kids' snacks and juice boxes.

PureAdvantage® Air Filter
Filter replacement reset button and indicator.



IQ-Touch™ Controls
For those who like to have their options always visible on the IQ-Touch™ control panel.

PureAdvantage® Air Filter
Keeps clean, filtered air circulated throughout to prevent odor transfer.

Automatic Ice Maker
Ensures you'll always have extra ice on hand.

IQ-Touch™ Controls

Optional Louvered Trim Kit (TRIMKITSS2)



Soft Freeze™ Bin
Perfect storage for things like ice cream or anything you want to keep frozen, but still soft for serving.

Luxury-Design® Lighting
Our ramp-up designer LED lighting is as beautiful as it is functional, keeping the contents clearly visible.

Adjustable Full-Width Glass Shelves
Full-width shelves provide easy access for large items like party trays – up to 26" wide.



Perfect Bins™ Door Storage
Convenient door storage bins tilt-out for easy access and can even be removed for even easier access.

Luxury-Glide® Full-Width Freezer Drawers
Drawers glide out smoothly and fully extend giving you easy access to what's inside.



Luxury-Glide® Crisper Drawers
Drawers smoothly glide out and keep produce fresh with adjustable humidity control and minimal temperature variation.



Sabbath Mode
Star-K® Certified

The Trim Kits are designed for replacement installation of specified Sub-Zero® brand units when installed with an Electrolux ICON® All Freezer and/or All Refrigerator; or for a new-build installation.



Stainless Steel Louvered Trim Kits

Designed for built-in installation with All-Freezer and All-Refrigerator models E32AF75JPS and E32AR75JPS; and as a replacement option for the Sub-Zero® brand 650 Series models and for new-build installation.



Stainless Steel Collar Trim Kits

Designed for built-in installation with All-Freezer and All-Refrigerator models E32AF75JPS and E32AR75JPS; and as a replacement option for the Sub-Zero® brand 601 Series models and for new-build installation.



Louvered/ Collar Trim Kits

Designed for built-in installation with All-Freezer and All-Refrigerator models E32AF75JPS and E32AR75JPS; as a replacement option for models E32AF75FPS and E32AR75FPS and for new-build installation.

Signature Styling

All Freezer & All Refrigerator
(E32AF75JPS & E32AR75JPS)

38 Cu. Ft. Total Capacity
19 cu. ft. freezer capacity,
19 cu. ft. refrigerator capacity.

Custom-Design™ Organization System
The ultimate organization system features Smooth-Glide® drawers with removable/adjustable dividers and two mini baskets and Perfect Door Storage Bins.



Alarm System
Notifies you if there's been a power failure, if a door stays open longer than five minutes and if the interior temperature of the refrigerator rises above 56 degrees or if the freezer rises above 23 degrees for more than 60 minutes.

Luxury-Quiet™ Design
Designed for consistently quiet operation.

Custom-Fit™ Capacity
More space inside to store whatever you need including large platters.

PureAdvantage® Air Filter
Filter replacement reset button and indicator.



PureAdvantage® Air Filter
Keeps clean, filtered air circulated throughout to prevent odor transfer.

Automatic Ice Maker
Ensures you'll always have extra ice on hand.

Custom-Set™ Controls
Offer more precise temperature control.

Optional Louvered Trim Kit (TRIMKITSS2)

Custom-Set™ Controls



Soft Freeze™ Bin
Perfect storage for things like ice cream or anything you want to keep frozen, but still soft for serving.

Theatre Lighting
Transition LED lighting gradually illuminates the interior with soft but ample light as you open the door.

Custom-Design™ Adjustable Glass Shelves
Extra-wide glass shelves provide enough space for large platters.



Perfect Bins™ Door Storage
Convenient door storage bins tilt-out for easy access and can even be removed for even easier access.

Smooth-Glide® Freezer Drawers
Full-width drawers glide out smoothly and fully extend giving you easy access to what's inside.



Smooth-Glide® Crisper Drawers
Crisper Drawers smoothly glide out and keep even the most delicate fruits and vegetables fresh with adjustable humidity control and minimal temperature variation.



Sabbath Mode
Star-K® Certified

Installation Options	Trim-Kit Compatible Refrigeration Models	Refrigeration Trim Kits								
		Single Louvered Trim Kit (ECP8436SS)	Double Louvered Trim Kit (ECP8472SS)	Single Collar Trim Kit (ECP7236SS)	Double Collar Trim Kit (ECP7272SS)	Single 79" Louvered/75" Collar Trim Kit (TRIMKITSS1)	Double 79" Louvered/75" Collar Trim Kit (TRIMKITSS2)	Louvered Trim Kit (241723001)	Louvered Trim Kit (4480)	Collar Kit (ECK23CDS)
All Freezers & All Refrigerators										
New Build for	EI32AF65JS / EI32AR65JS	●	●	●	●	● (79" or 75")	● (79" or 75")			
	E32AF75JPS / E32AR75JPS	●	●	●	●	● (79" or 75")	● (79" or 75")			
Replacement of	E32AF75FPS / E32AR75FPS					○ (79")	○ (79")			
Replacement of	Sub-Zero® 650 Series	○	○							
	Sub-Zero® 601 Series			○	○					
Counter-Depth French Door Refrigerators										
New Build for	E23BC78IPS							●		●
	E23BC78ISS							●		●
	E23BC68JPS							●		●
	E23BC68JSS							●		●
Counter-Depth Side-By-Side Refrigerators										
New Build for	E23CS78HPS								●	●
	E23CS78HSS								●	●

● New-Build Installation ○ Replacement Installation

Built-In Trim Kits

For specifications and installation information, refer to Trim Kits' Planning Information.

All Freezers & All Refrigerators



Louvered Trim Kit
PN# ECP8436SS



Louvered Trim Kit
PN# ECP8472SS



Collar Trim Kit
PN# ECP7236SS



Collar Trim Kit
PN# ECP7272SS



Louvered Trim Kit (79")
PN# TRIMKITSS1



Louvered Trim Kit (75")
PN# TRIMKITSS2



Collar Trim Kit (75")
PN# TRIMKITSS1



Collar Trim Kit (75")
PN# TRIMKITSS2

Counter-Depth French Door Refrigerators



Louvered Trim Kit
PN# 241723001



Collar Kit
PN# ECK23CDS

Counter-Depth Side-by-Side Refrigerators



Louvered Trim Kit
PN# 4480



Collar Kit
PN# ECK23CDS

Planning Information

For replacement installation of Sub-Zero® brand 650 Series models or for new-build installation – when installed with All-Freezer models EI32AF65FS, E32AF75FPS and All-Refrigerator models EI32AR65FS, E32AR75FPS

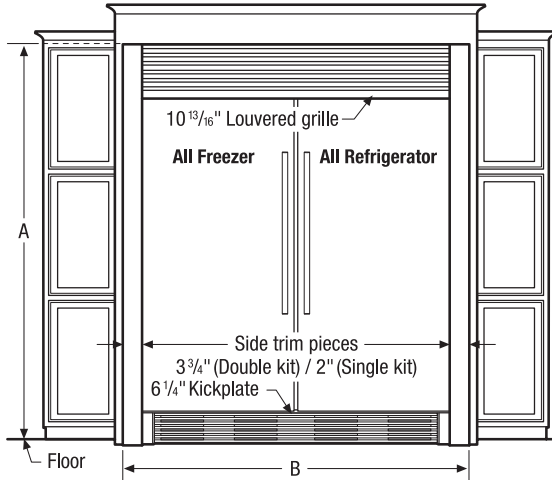
84" Single & Double Louvered Trim Kits for All Freezer and All Refrigerator

Designed for replacement installation of any built-in model(s) having pre-existing opening(s) with same cutout dimensions as stated below; or for new-build installation.

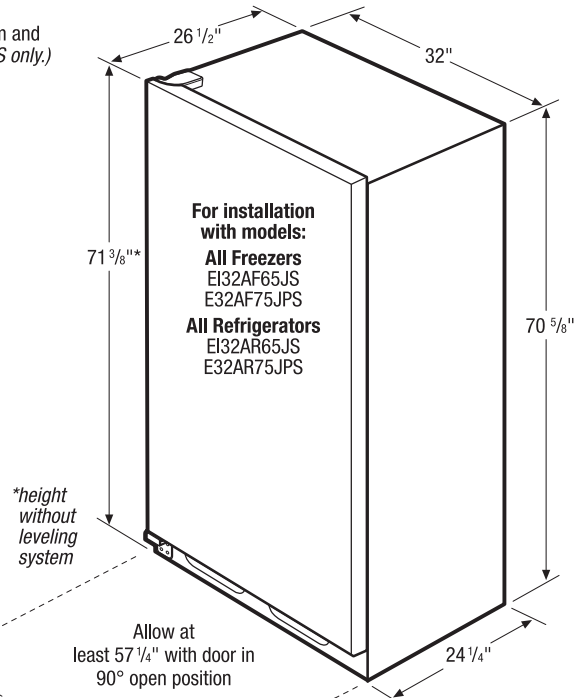
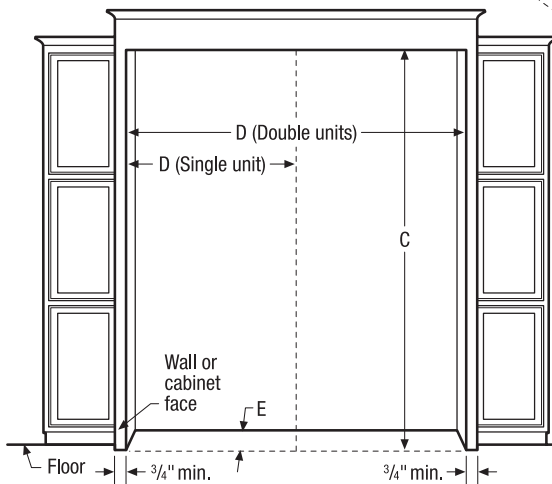
Kits Include:

Louvered grille, side and center trim pieces, kickplate, leveling system and hardware. (Center trim included with Double Trim Kit PN# ECP8472SS only.)

Single & Double Trim Kit Dimensions



Single & Double Cutout Dimensions



Single Trim Kit PN# ECP8436SS

Trim Kit Dimensions
(A) 83 13/16" (B) 36 3/16"

Cutout Dimensions
(C) 83 3/4" (D) 35 1/2"
(E) 24" min.†

Double Trim Kit PN# ECP8472SS

Trim Kit Dimensions
(A) 83 13/16" (B) 72"

Cutout Dimensions
(C) 83 3/4" (D) 71 1/2"
(E) 24" min.†

Leveling System

(2) per unit raises height 2 9/16" min. Only available with trim kits.

† Minimum depth from face of wall or cabinet side panels and requires recessed electrical outlet(s) and water line.

Installation Notes:

Trim kit attaches directly to unit(s) and can be secured to cutout opening. Double Trim Kit also includes hardware to secure side-by-side units together. Refer to detailed kit installation instructions packed with kit or on web.

Installation Specifications

- New-Build Installation** – Louvered Trim Kits (PN# ECP8436SS & PN# ECP8472SS) are designed for built-in installation with All-Freezer models EI32AF65JS, E32AF75JPS and All-Refrigerator models EI32AR65JS, E32AR75JPS.
- Replacement Installation** – Louvered Trim Kits (PN# ECP8436SS & PN# ECP8472SS) are designed as built-in replacement option for Sub-Zero® brand 650 Series models when installed with All-Freezer models EI32AF65JS, E32AF75JPS and All-Refrigerator models EI32AR65JS, E32AR75JPS into pre-existing cutout opening(s).
- To use Single Louvered Trim Kit (PN# ECP8436SS), an enclosure is required around All Freezer or All Refrigerator having an opening of 83-3/4" H x 35-1/2" W with minimum cabinet side panels of 24" D x 3/4" W.
- To use Double Louvered Trim Kit (PN# ECP8472SS), an enclosure is required around All Freezer and All Refrigerator having an opening of

83-3/4" H x 71-1/2" W with minimum cabinet side panels of 24" D x 3/4" W. (Double Trim Kit includes hardware to secure side-by-side units together.)

- Trim Kit attaches directly to unit(s) and can be secured to cutout opening.
- Minimum 24" depth requires recessed electrical outlet(s) and water line.
- Cabinet or soffit above unit must extend out to same depth as side panels.
- Clear, adequate floor space required for Trim Kit assembly.
- For detailed Trim Kit installation, refer to instructions packed with kit or on web.
- For detailed All Freezer and/or All Refrigerator installation, refer to model-specific product page and installation guide on web.

Note: For planning purposes only. Refer to product information on the web at electroluxappliances.com or electroluxicon.com for detailed installation instructions. Specifications subject to change.

Planning Information

Collar Trim Kits
(ECP7236SS & ECP7272SS)

For replacement installation of Sub-Zero® brand 601 Series models or for new-build installation – when installed with All-Freezer models EI32AF65FS, E32AF75FPS and All-Refrigerator models EI32AR65FS, E32AR75FPS

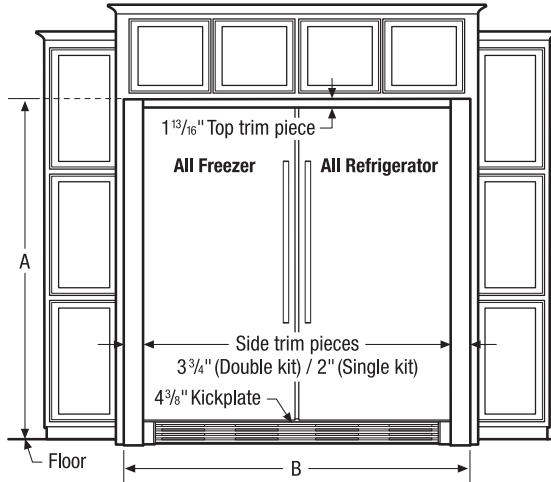
72" Single & Double Collar Trim Kits for All Freezer and All Refrigerator

Designed for replacement installation of any built-in model(s) having pre-existing opening(s) with same cutout dimensions as stated below; or for new-build installation.

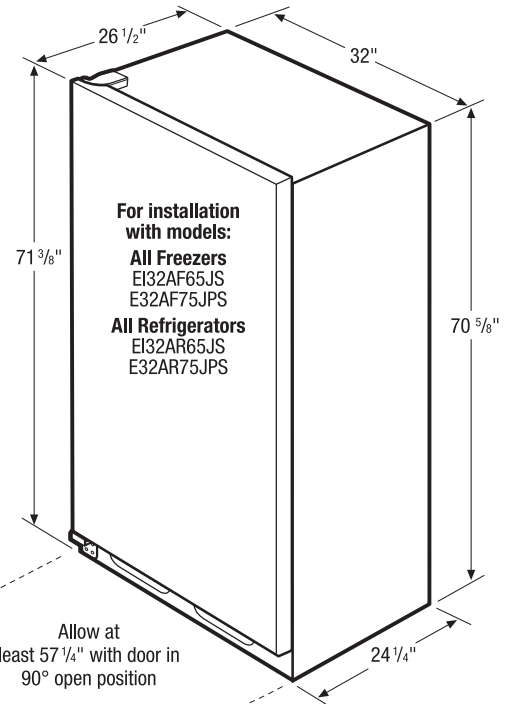
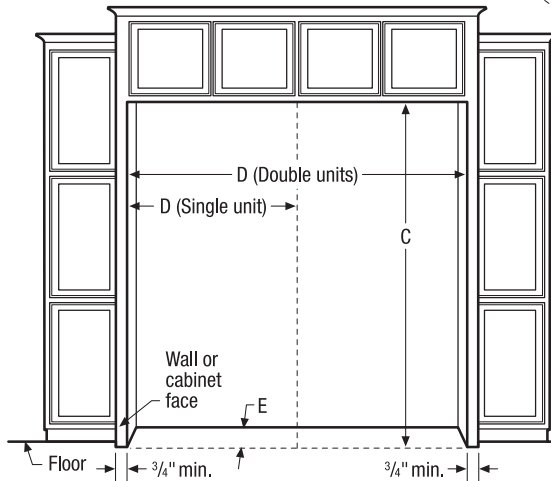
Kits Include:

Top, side and center trim pieces, kickplate and hardware.
(Center trim included with Double Trim Kit PN# ECP7272SS only.)

Single & Double Trim Kit Dimensions



Single & Double Cutout Dimensions



Single Trim Kit
PN# ECP7236SS

Trim Kit Dimensions
(A) 72 13/16" (B) 36 3/16"

Cutout Dimensions
(C) 72 3/4" (D) 35 1/2"
(E) 24" min.†

Double Trim Kit
PN# ECP7272SS

Trim Kit Dimensions
(A) 72 13/16" (B) 72"

Cutout Dimensions
(C) 72 3/4" (D) 71 1/2"
(E) 24" min.†

†Minimum depth from face of wall or cabinet side panels and requires recessed electrical outlet(s) and water line.

Installation Notes:

Trim kit attaches directly to unit(s) and can be secured to cutout opening. Double Trim Kit also includes hardware to secure side-by-side units together. Refer to detailed kit installation instructions packed with kit or on web.

Installation Specifications

- New-Build Installation** – Collar Trim Kits (PN# ECP7236SS & PN# ECP7272SS) are designed for built-in installation with All-Freezer models EI32AF65JS, E32AF75JPS and All-Refrigerator models EI32AR65JS, E32AR75JPS.
- Replacement Installation** – Collar Trim Kits (PN# ECP7236SS & PN# ECP7272SS) are designed as built-in replacement option for Sub-Zero® brand 601 Series models when installed with All-Freezer models EI32AF65JS, E32AF75JPS and All-Refrigerator models EI32AR65JS, E32AR75JPS into pre-existing cutout opening(s).
- To use Single Collar Trim Kit (PN# ECP7236SS), an enclosure is required around All Freezer or All Refrigerator having an opening of 72-3/4" H x 35-1/2"W with minimum cabinet side panels of 24" D x 3/4" W.
- To use Double Collar Trim Kit (PN# ECP7272SS), an enclosure is required around All Freezer and All Refrigerator having an opening of 72-3/4" H x 71-1/2"W with minimum cabinet side panels of 24" D x 3/4" W.
(Double Trim Kit includes hardware to secure side-by-side units together.)

- Trim Kit attaches directly to unit(s) and can be secured to cutout opening.
- Minimum 24" depth requires recessed electrical outlet(s) and water line.
- Cabinet or soffit above unit must extend out to same depth as side panels.
- Clear, adequate floor space required for Trim Kit assembly.
- For detailed Trim Kit installation, refer to instructions packed with kit or on web.
- For detailed All Freezer and/or All Refrigerator installation, refer to model-specific product page and installation guide on web.

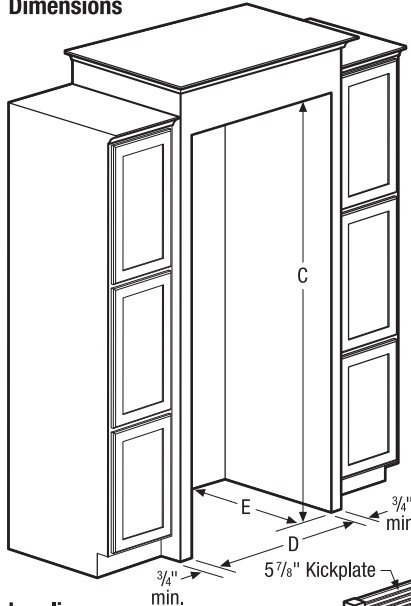
Note: For planning purposes only. Refer to product information on the web at electroluxappliances.com or electroluxicon.com for detailed installation instructions. Specifications subject to change.

For replacement installation of models E32AF75FPS, E32AR75FPS or for new-build installation – when installed with All-Freezer models EI32AF65FS, E32AR65FS and All-Refrigerator models EI32AR65FS, E32AR75FPS

**79" Single & Double Louvered Trim Kit or
75" Single & Double Collar Trim Kit for All Freezer and All Refrigerator**

Designed for replacement installation of any built-in model(s) having pre-existing opening(s) with same cutout dimensions as stated below; or for new-build installation.

Single & Double Cutout Dimensions



Leveling System

(2) per unit
raises height 2 9/16" min.
Only available with trim kits.

**Single Trim Kit
PN# TRIMKITSS1**

Trim Kit Dimensions
(A) 75 1/8" or 79 1/8"
(B) 34 3/4"

Cutout Dimensions
(C) 75" or 79" (D) 33"
(E) 25 1/4" min.†

† Minimum depth from face of wall or cabinet side panels and requires recessed electrical outlet(s) and water line.

**Double Trim Kit
PN# TRIMKITSS2**

Trim Kit Dimensions
(A) 75 1/8" or 79 1/8"
(B) 67 1/8"

Cutout Dimensions
(C) 75" or 79" (D) 66"
(E) 25 1/4" min.†

Optional top collar trim piece (used for 75" opening)

6 3/16" Louvered grille (used for 79" opening)

Single & Double Trim Kit Dimensions

Cut off 4" for 75" opening

3/4" min.

5 7/8" Kickplate

71 3/8"

26 1/2"

32"

70 5/8"

24 1/4"

Allow at least 57 1/4" with door in 90° open position

Kits Include:

Louvered grille, optional top collar trim piece, side and center trim pieces, kickplate, leveling system and hardware. (Center trim included with Double Trim Kit PN# TRIMKITSS2 only.)

For installation with models:

- All Freezers
EI32AF65JS
E32AF75JPS
- All Refrigerators
EI32AR65JS
E32AR75JPS

Installation Notes:

Trim kit attaches directly to cutout opening through louvered grille or optional top collar trim piece to stabilize unit(s). Louvered grille used for 79" opening height and optional top collar trim piece used for 75" opening height. Installation into 75" opening requires side trim pieces be shortened by 4". Double Trim Kit also includes hardware to secure side-by-side units together. Refer to detailed kit installation instructions packed with kit or on web.

Installation Specifications

- New-Build Installations** – Louvered/Collar Trim Kits (PN # TRIMKITSS1 & PN # TRIMKITSS2) are designed for built-in installation with All-Freezer models EI32AF65JS, E32AF75JPS and All-Refrigerator models EI32AR65FS, E32AR75JPS. New-build installation can use 79" opening height with use of louvered grille; or 75" opening height with use of optional top collar trim piece which also requires side trim pieces to be shortened by 4".
- Replacement Installations** – Louvered/Collar Trim Kits (PN # TRIMKITSS1 & PN # TRIMKITSS2) are designed as built-in replacement option for All-Freezer model E32AF75FPS and All-Refrigerator model E32AR75FPS when installed with All-Freezer models EI32AF65JS, E32AF75JPS and All-Refrigerator models EI32AR65FS, E32AR75JPS requiring 79" opening height and use of louvered grille; or as built-in replacement option for any other built-in model(s) having pre-existing 75" or 79" opening height.
- To use Single Louvered/Collar Trim Kit (PN # TRIMKITSS1), an enclosure is required around All Freezer or All Refrigerator having an opening of 75" or 79" H x 33" W with minimum cabinet side panels of 25-1/4" D x 3/4" W.

- To use Double Louvered/Collar Trim Kit (PN # TRIMKITSS2), an enclosure is required around All Freezer and All Refrigerator having an opening of 75" or 79" H x 66" W with minimum cabinet side panels of 25-1/4" D x 3/4" W. (Double Trim Kit includes hardware to secure side-by-side units together.)
- Trim Kit attaches directly to cutout opening through louvered grille or optional top collar trim piece to stabilize unit(s).
- Minimum 25-1/4" depth requires recessed electrical outlet(s) and water line.
- Cabinet or soffit above unit must extend out to same depth as side panels.
- Clear, adequate floor space required for Trim Kit assembly.
- For detailed Trim Kit installation, refer to instructions packed with kit or on web.
- For detailed All Freezer and/or All Refrigerator installation, refer to model-specific product page and installation guide on web.

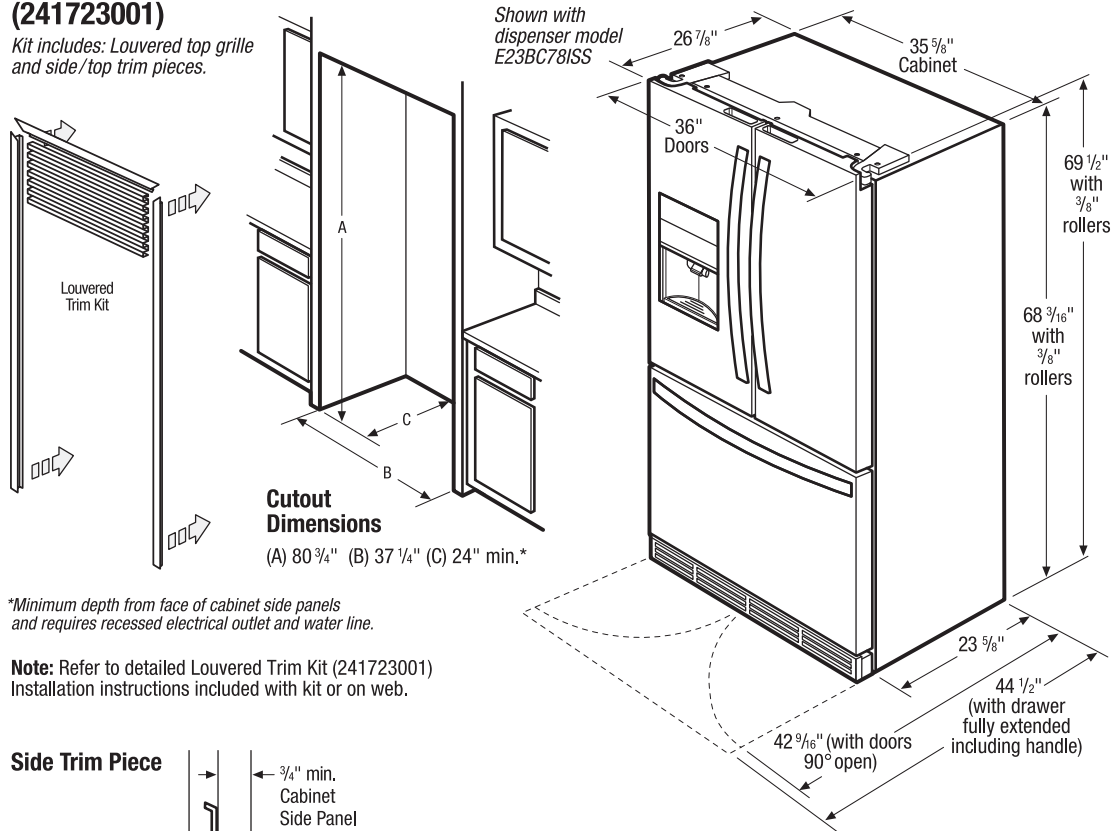
Note: For planning purposes only. Refer to product information on the web at electroluxappliances.com or electroluxicon.com for detailed installation instructions. Specifications subject to change.

Planning Information

For new-build installation when installed with Counter-Depth French Door Refrigerator models E23BC78IPS, E23BC78ISS, E23BC68FPS and E23BC68FSS

Louvered Trim Kit (241723001)

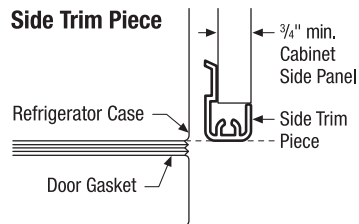
Kit includes: Louvered top grille and side/top trim pieces.



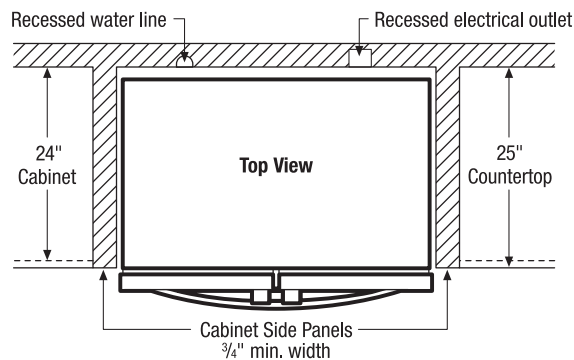
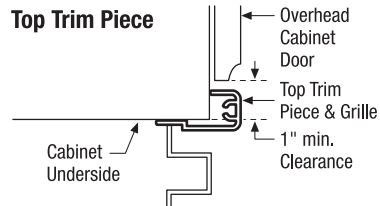
*Minimum depth from face of cabinet side panels and requires recessed electrical outlet and water line.

Note: Refer to detailed Louvered Trim Kit (241723001) Installation instructions included with kit or on web.

Side Trim Piece



Top Trim Piece



Installation Specifications

- **New-Build Installation** – Louvered Trim Kit (PN# 241723001) is designed for built-in installation with Counter-Depth French Door Refrigerator models E23BC78IPS, E23BC78ISS, E23BC68JPS and E23BC68JSS.
- To use Louvered Trim Kit (PN# 241723001), an enclosure is required around Counter-Depth French Door Refrigerator having an opening of 80-3/4" H x 37-1/4" W with minimum cabinet side panels of 24" D x 3/4" W.
- Minimum 24" depth requires recessed electrical outlet and water line.
- Cabinet or soffit above unit must extend out to same depth as side panels.

- Minimum 7' x 7' clear floor space required for Trim Kit assembly.
- For detailed Trim Kit installation, refer to instructions packed with kit or on web.
- For detailed Counter-Depth French Door Refrigerator installation, refer to model-specific product page and installation guide on web.

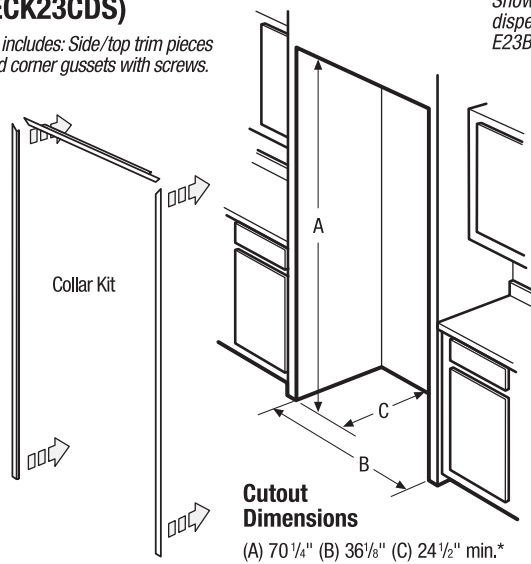
Note: For planning purposes only. Refer to product information on the web at electroluxicon.com for detailed installation instructions. Specifications subject to change.

Planning Information

For new-build installation when installed with Counter-Depth French Door Refrigerator models E23BC781PS, E23BC781SS, E23BC68FPS and E23BC68FSS

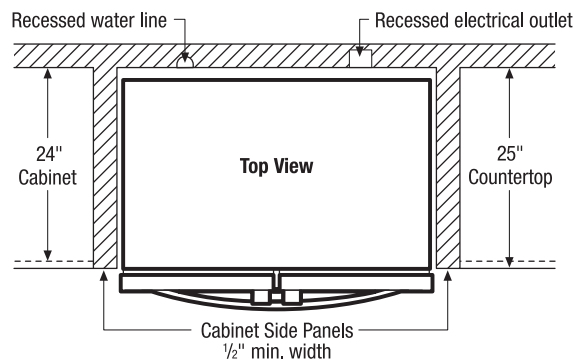
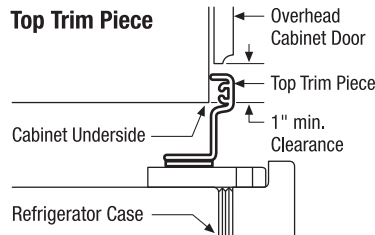
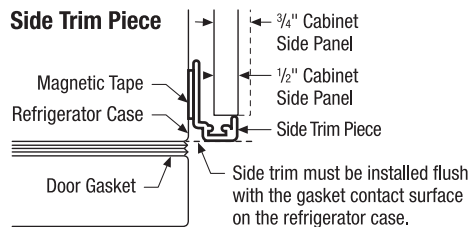
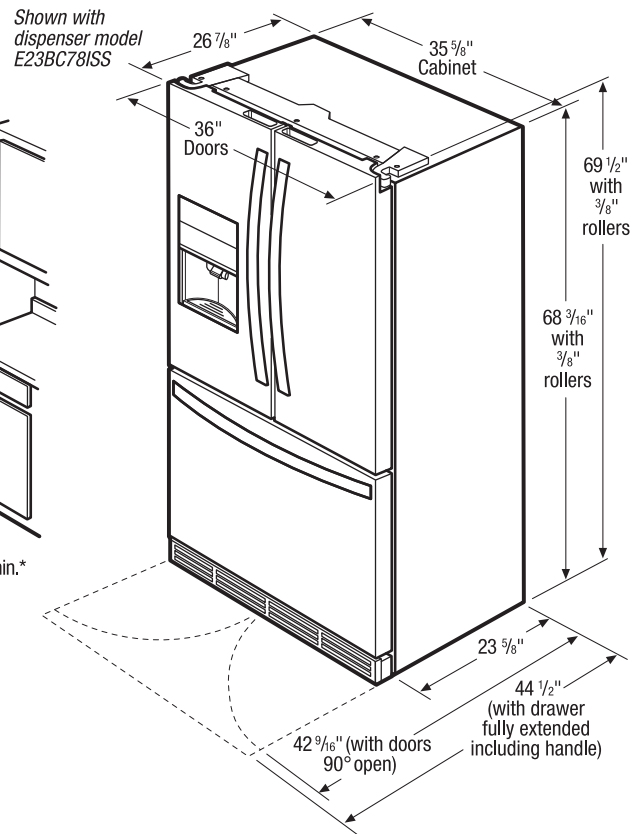
Collar Kit (ECK23CDS)

Kit includes: Side/top trim pieces and corner gussets with screws.



*Minimum depth from face of cabinet side panels and requires recessed electrical outlet and water line.

Note: Refer to detailed Collar Kit (ECK23CDS) Installation instructions included with kit or on web.



Installation Specifications

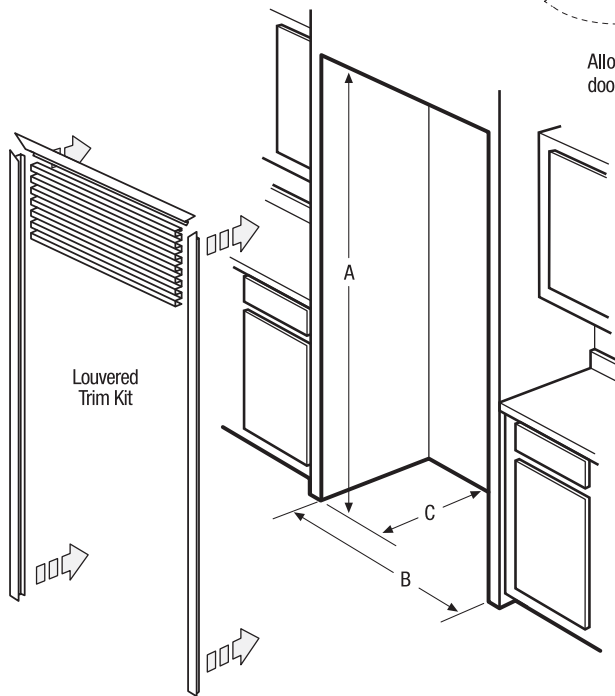
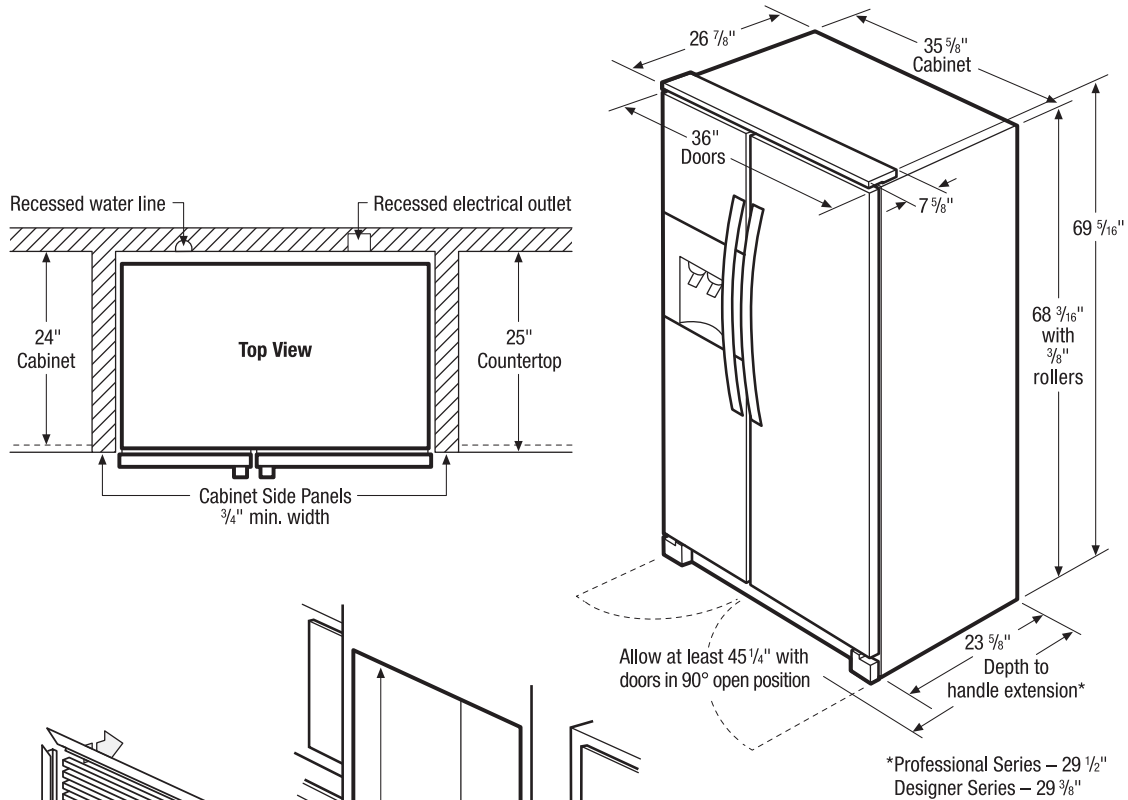
- **New-Build Installation** – Collar Kit (PN # ECK23CDS) is designed for built-in installation with Counter-Depth French Door Refrigerator models E23BC781PS, E23BC781SS, E23BC68JPS and E23BC68JSS.
- To use Collar Kit (PN # ECK23CDS), an enclosure is required around Counter-Depth French Door Refrigerator having an opening of 70-1/4" H x 36-1/8" W with minimum cabinet side panels of 24-1/2" D x 1/2" W.
- Minimum 24-1/2" depth requires recessed electrical outlet and water line.
- Add maximum of 1/4" to 70-1/4" opening height when installed with frameless-style overhead cabinets, for door opening clearance.
- Cabinet or soffit above unit must extend out to same depth as side panels.
- To provide additional clearance for overhead cabinet doors when in open position, allow 1" from underside of cabinet to bottom of cabinet door.

- A minimum width of 36-1/8" is required for refrigerator installation with an additional 1/2" or 3/4" added for each side panel.
- If 1/2" side panels are used, then side trim piece and panel will be even.
- If 3/4" side panels are used, then 1/4" of side panel will extend beyond collar trim and must be finished.
- For detailed Collar Kit installation, refer to instructions packed with kit or on web.
- For detailed Counter-Depth French Door Refrigerator installation, refer to model-specific product page and installation guide on web.

Note: For planning purposes only. Refer to product information on the web at electroluxicon.com for detailed installation instructions. Specifications subject to change.

Planning Information

For new-build installation when installed with Counter-Depth Side-by-Side Refrigerator models E23CS78HPS and E23CS78HSS



Louvered Trim Kit (4480)

Kit includes: Louvered top grille and side/top trim pieces.

Cutout Dimensions

(A) 80 3/4" (B) 37 1/4" (C) 24" min.*

*Minimum depth from face of cabinet side panels and requires recessed electrical outlet and water line.

Note: Refer to detailed Louvered Trim Kit (4480) Installation instructions included with kit or on web.

Installation Specifications

- **New-Build Installation** – Louvered Trim Kit (PN # 4480) is designed for built-in installation with Counter-Depth Side-by-Side Refrigerator models E23CS78HPS and E23CS78HSS.
- To use Louvered Trim Kit (PN # 4480), an enclosure is required around Counter-Depth Side-by-Side Refrigerator having an opening of 80-3/4" H x 37-1/4" W with minimum cabinet side panels of 24" D x 3/4" W.
- Minimum 24" depth requires recessed electrical outlet and water line.
- Cabinet or soffit above unit must extend out to same depth as side panels.
- Minimum 7' x 7' clear floor space required for Trim Kit assembly.

- For detailed Trim Kit installation, refer to instructions packed with kit or on web.
- For detailed Counter-Depth Side-by-Side Refrigerator installation, refer to model-specific product page and installation guide on web.
- Louvered Trim Kit (PN # 4480) can also be used with Counter-Depth Side-by-Side Refrigerator models E23CS75DSS, E23CS78EPS, E23CS78ESS, E23CS78GPS and E23CS78GSS.

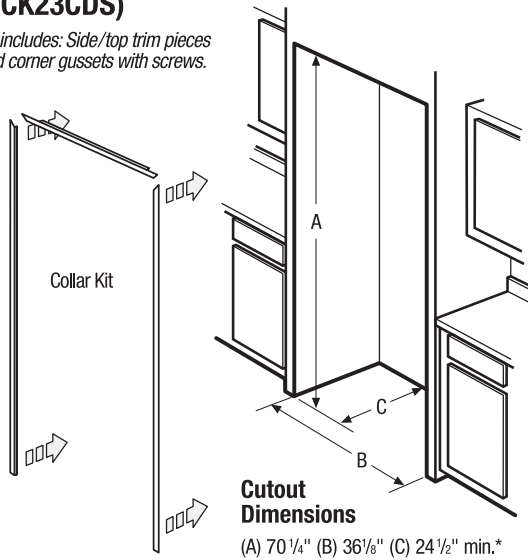
Note: For planning purposes only. Refer to product information on the web at electroluxicon.com for detailed installation instructions. Specifications subject to change.

Planning Information

For new-build installation when installed with Counter-Depth Side-by-Side Refrigerator models E23CS78HPS and E23CS78HSS

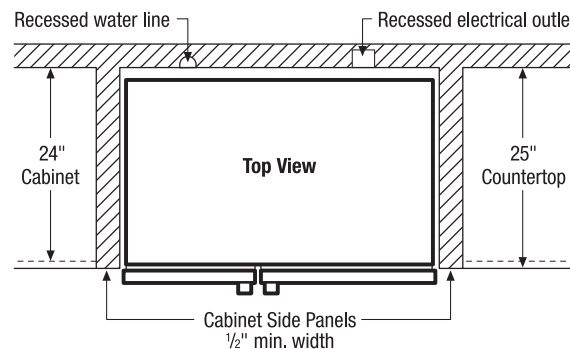
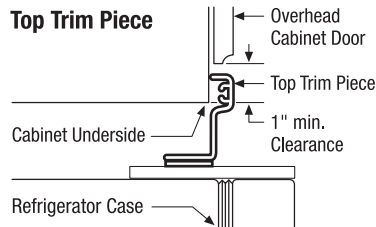
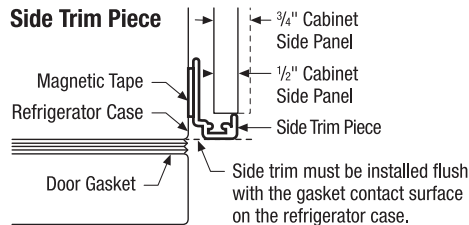
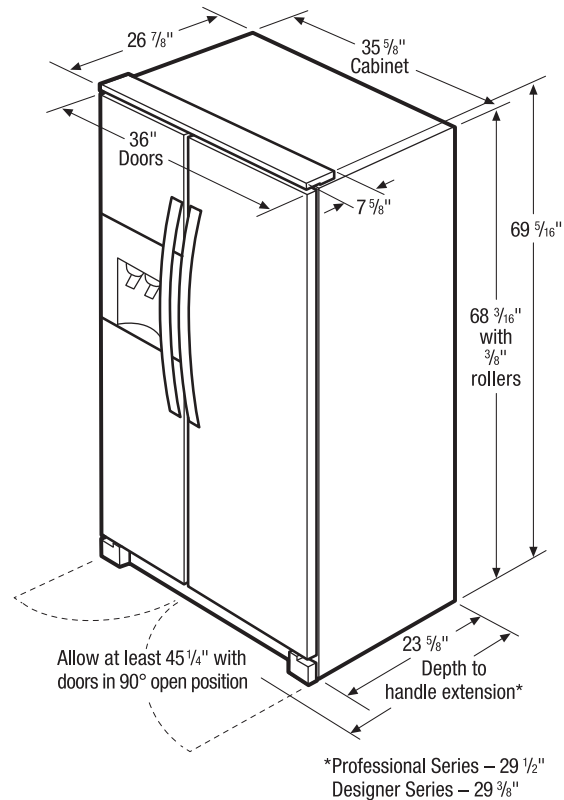
Collar Kit (ECK23CDS)

Kit includes: Side/top trim pieces and corner gussets with screws.



*Minimum depth from face of cabinet side panels and requires recessed electrical outlet and water line.

Note: Refer to detailed Collar Kit (ECK23CDS) Installation instructions included with kit or on web.



Installation Specifications

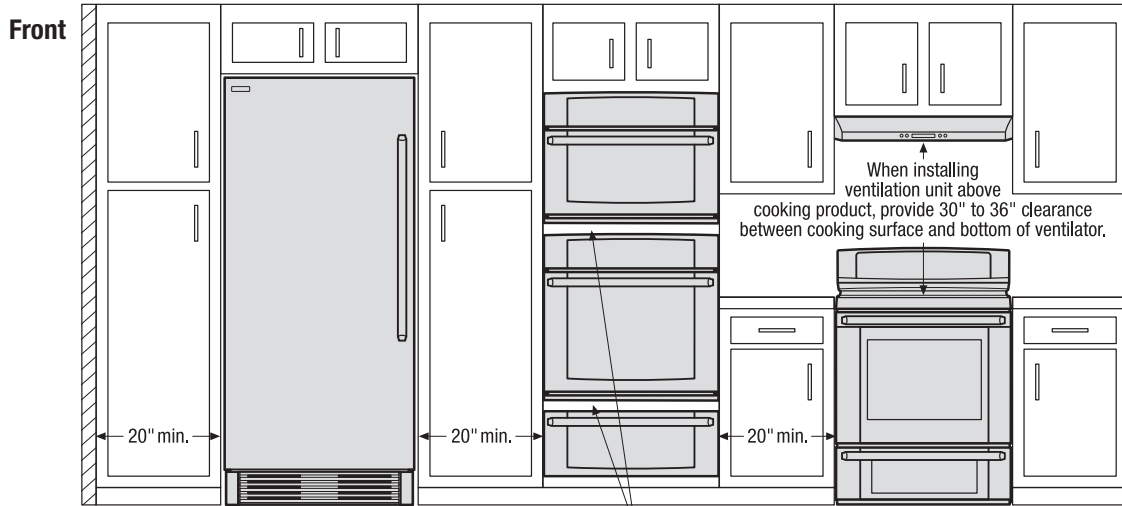
- **New-Build Installation** – Collar Kit (PN # ECK23CDS) is designed for built-in installation with Counter-Depth Side-by-Side Refrigerator models E23CS78HPS and E23CS78HSS.
- To use Collar Kit (PN # ECK23CDS), an enclosure is required around Counter-Depth Side-by-Side Refrigerator having an opening of 70-1/4" H x 36-1/8" W with minimum cabinet side panels of 24-1/2" D x 1/2" W.
- Minimum 24-1/2" depth requires recessed electrical outlet and water line.
- Add maximum of 1/4" to 70-1/4" opening height when installed with frameless-style overhead cabinets, for door opening clearance.
- Cabinet or soffit above unit must extend out to same depth as side panels.
- To provide additional clearance for overhead cabinet doors when in open position, allow 1" from underside of cabinet to bottom of cabinet door.
- A minimum width of 36-1/8" is required for refrigerator installation with an additional 1/2" or 3/4" added for each side panel.

- If 1/2" side panels are used, then side trim piece and panel will be even. If 3/4" side panels are used, then 1/4" of side panel will extend beyond collar trim and must be finished.
- For detailed Collar Kit installation, refer to instructions packed with kit or on web.
- For detailed Counter-Depth Side-by-Side Refrigerator installation, refer to model-specific product page and installation guide on web.
- Collar Kit (PN # ECK23CDS) can also be used with Counter-Depth Side-by-Side Refrigerator models E23CS75DSS, E23CS78EPS, E23CS78ESS, E23CS78GPS and E23CS78GSS.

Note: For planning purposes only. Refer to product information on the web at electroluxicon.com for detailed installation instructions. Specifications subject to change.

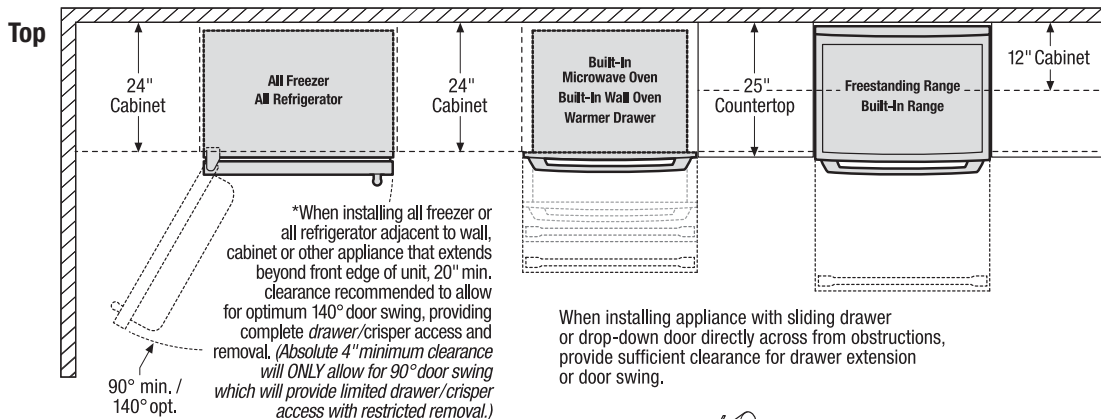
For Installation with All Freezer or All Refrigerator

Use these dimensions and clearance instructions for planning purposes only. For detailed installation instructions, refer to installation guide, packed with product, or on the web at electroluxappliances.com or electroluxicon.com.



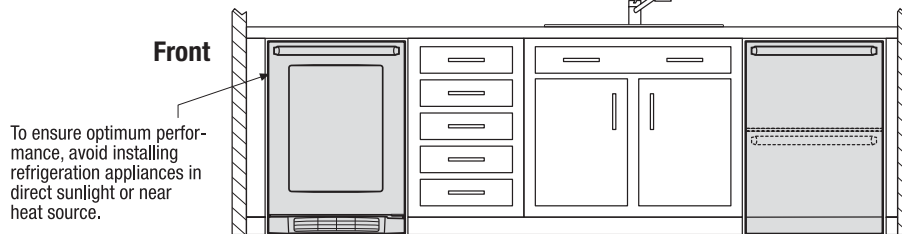
When installing appliances adjacent to each other, 20" minimum distance between each appliance required.

When installing built-in cooking appliances in combination, 2" minimum visible gap between appliance faceplates required.

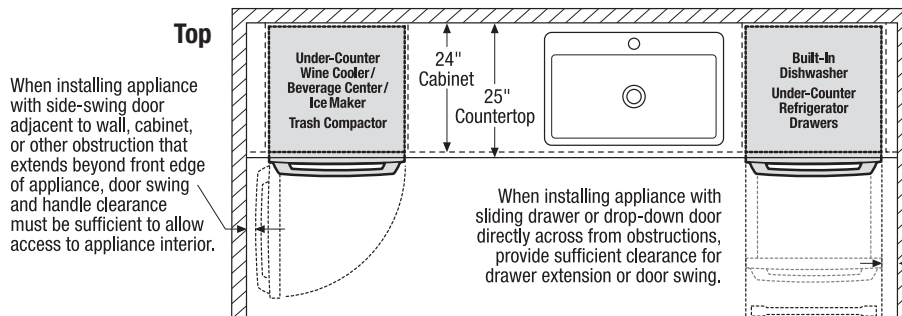


90° min. / 140° opt.

When installing appliance with sliding drawer or drop-down door directly across from obstructions, provide sufficient clearance for drawer extension or door swing.



To ensure optimum performance, avoid installing refrigeration appliances in direct sunlight or near heat source.



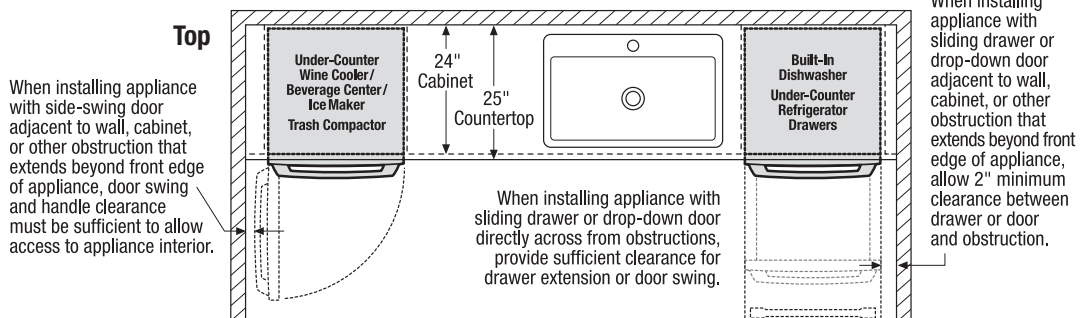
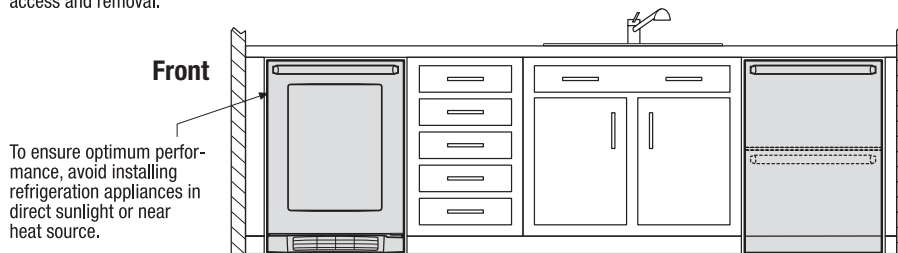
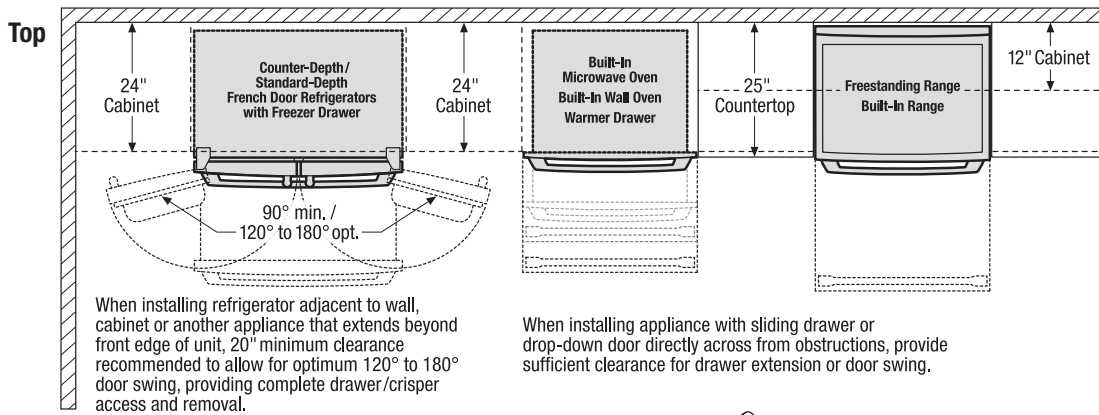
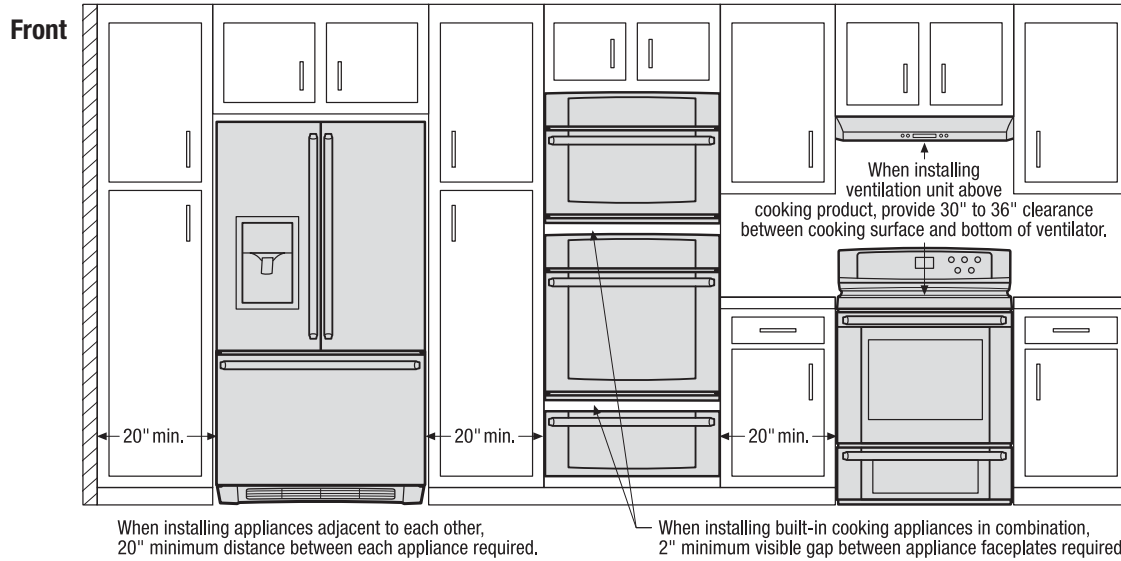
When installing appliance with side-swing door adjacent to wall, cabinet, or other obstruction that extends beyond front edge of appliance, door swing and handle clearance must be sufficient to allow access to appliance interior.

When installing appliance with sliding drawer or drop-down door directly across from obstructions, provide sufficient clearance for drawer extension or door swing.

When installing appliance with sliding drawer or drop-down door adjacent to wall, cabinet, or other obstruction that extends beyond front edge of appliance, allow 2" minimum clearance between drawer or door and obstruction.

For Installation with Counter-Depth or Standard-Depth French Door Refrigerator

Use these dimensions and clearance instructions for planning purposes only. For detailed installation instructions, refer to installation guide, packed with product, or on the web at electroluxappliances.com or electroluxicon.com.

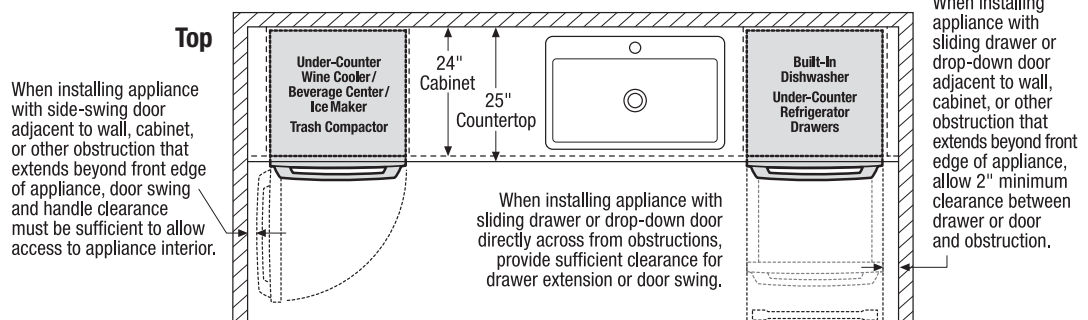
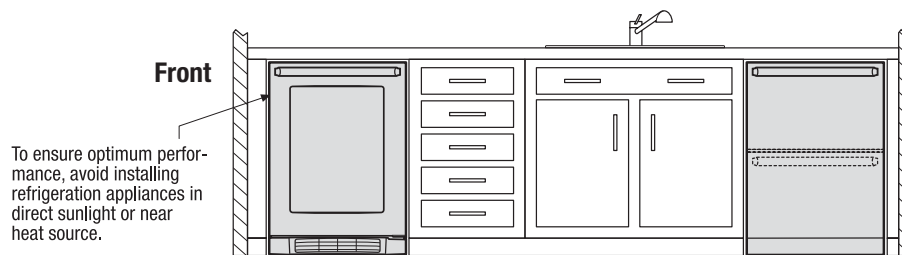
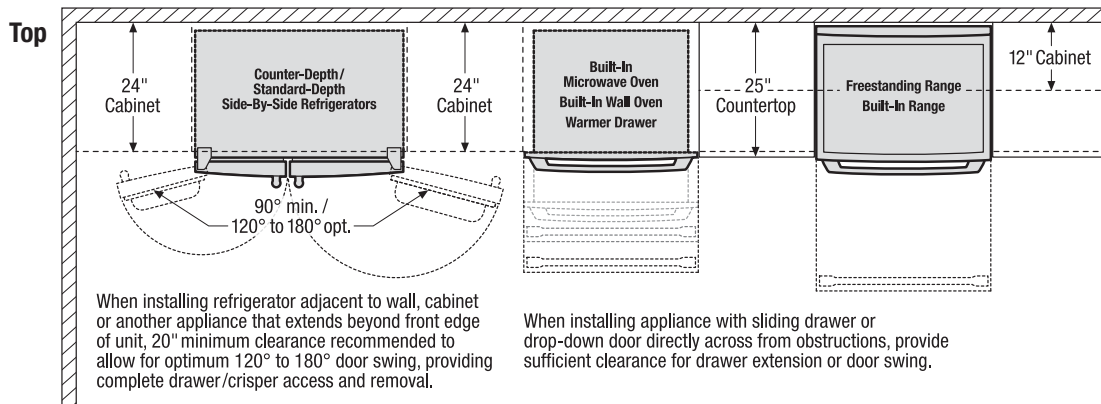
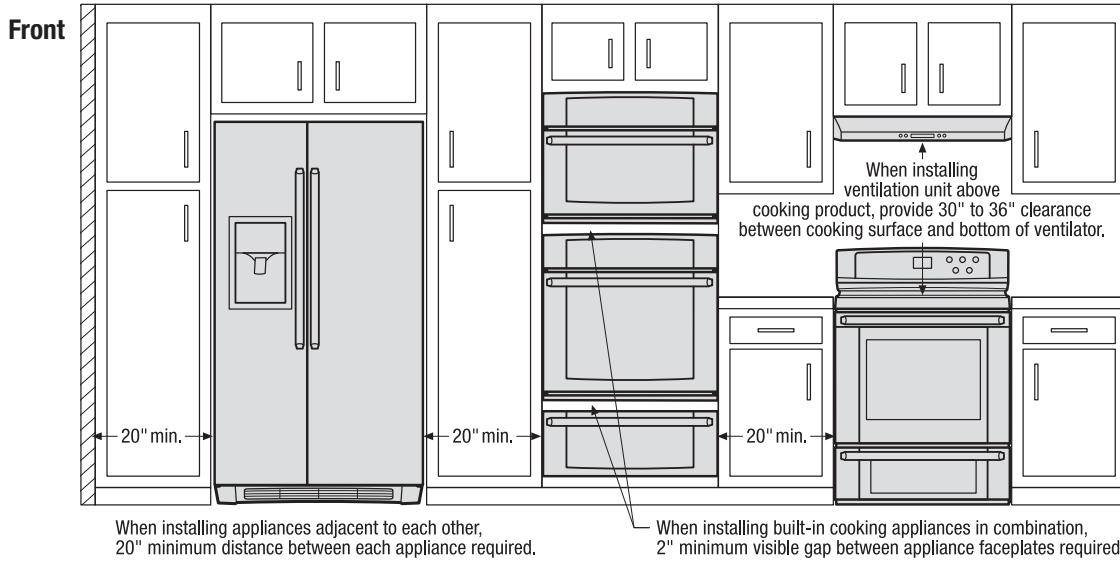


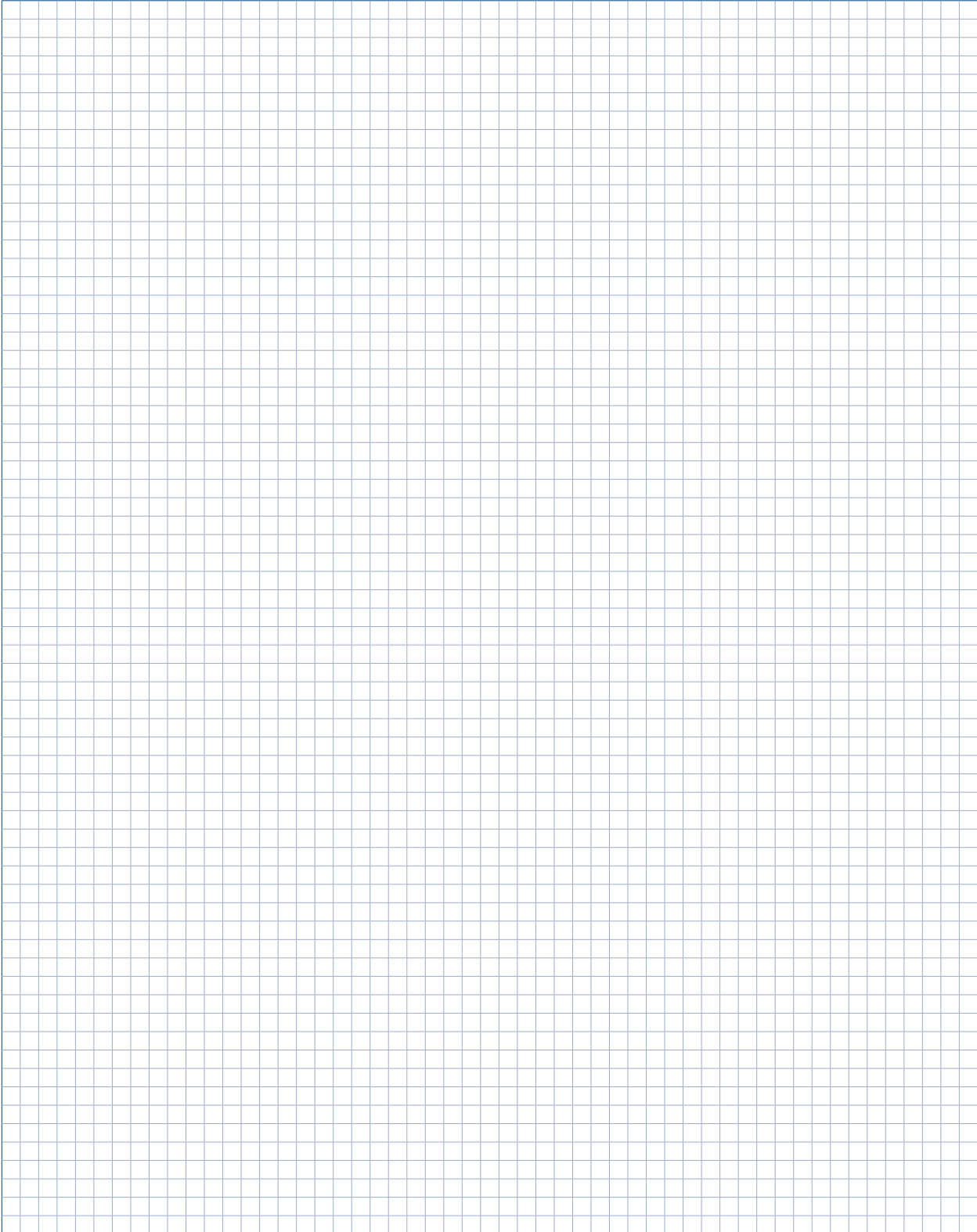
Planning Information

General Installation Guidelines

For Installation with Counter-Depth or Standard-Depth Side-by-Side Refrigerator

Use these dimensions and clearance instructions for planning purposes only. For detailed installation instructions, refer to installation guide, packed with product, or on the web at electroluxappliances.com or electroluxicon.com.





WHEN LIT FROM FRONT
COMES SOLID - (AS A CANVAS
FOR ART & PROTECTIONS)

UPPER GRANGES
ALSO BECOME
SCRIPTURE
TABLES

When kitchen is in
FUNCTIONAL MODE, THE
WALL BECOMES
CLEAR

ADJUSTABLE
TABLE



Electrolux

Electrolux Major Appliances, N.A.

USA • 10200 David Taylor Drive • Charlotte, NC 28262 • 1-877-4electrolux (1-877-435-3287) • electroluxappliances.com
CANADA • 5855 Terry Fox Way • Mississauga, ON L5V 3E4 • 1-800-265-8352 • electroluxappliances.ca

High standards of quality at Electrolux Home Products, Inc. mean we are constantly working to improve our products. We reserve the right to change specifications or discontinue models without notice.