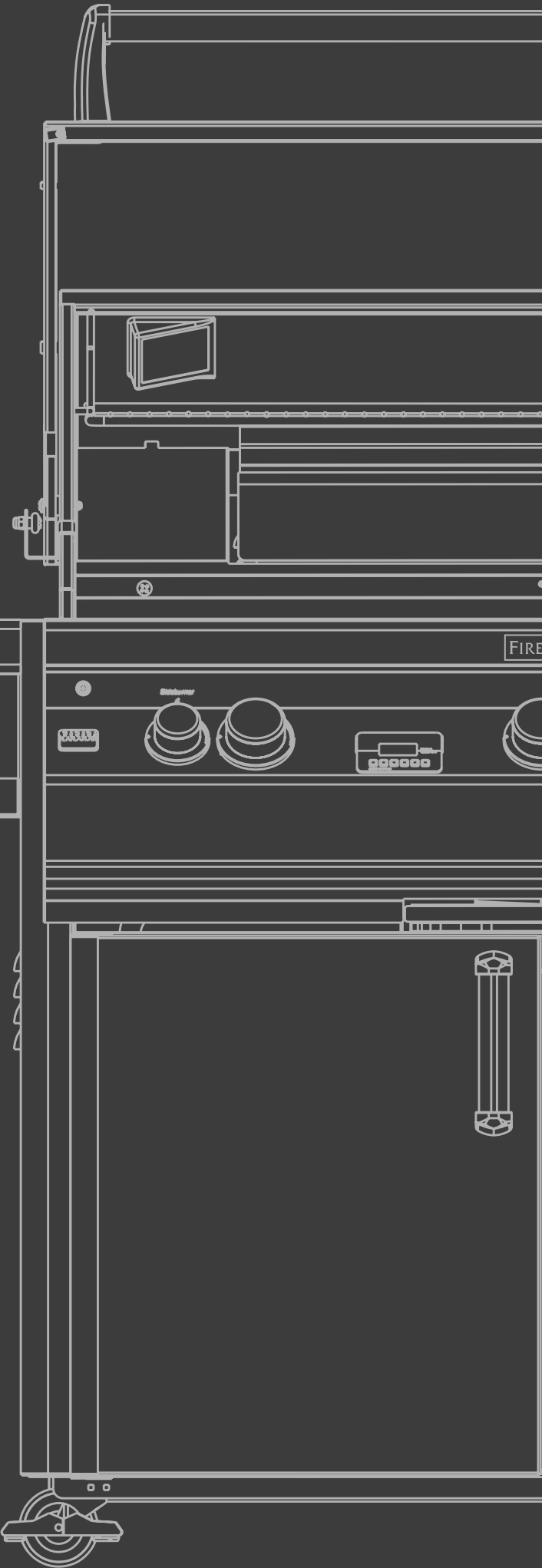
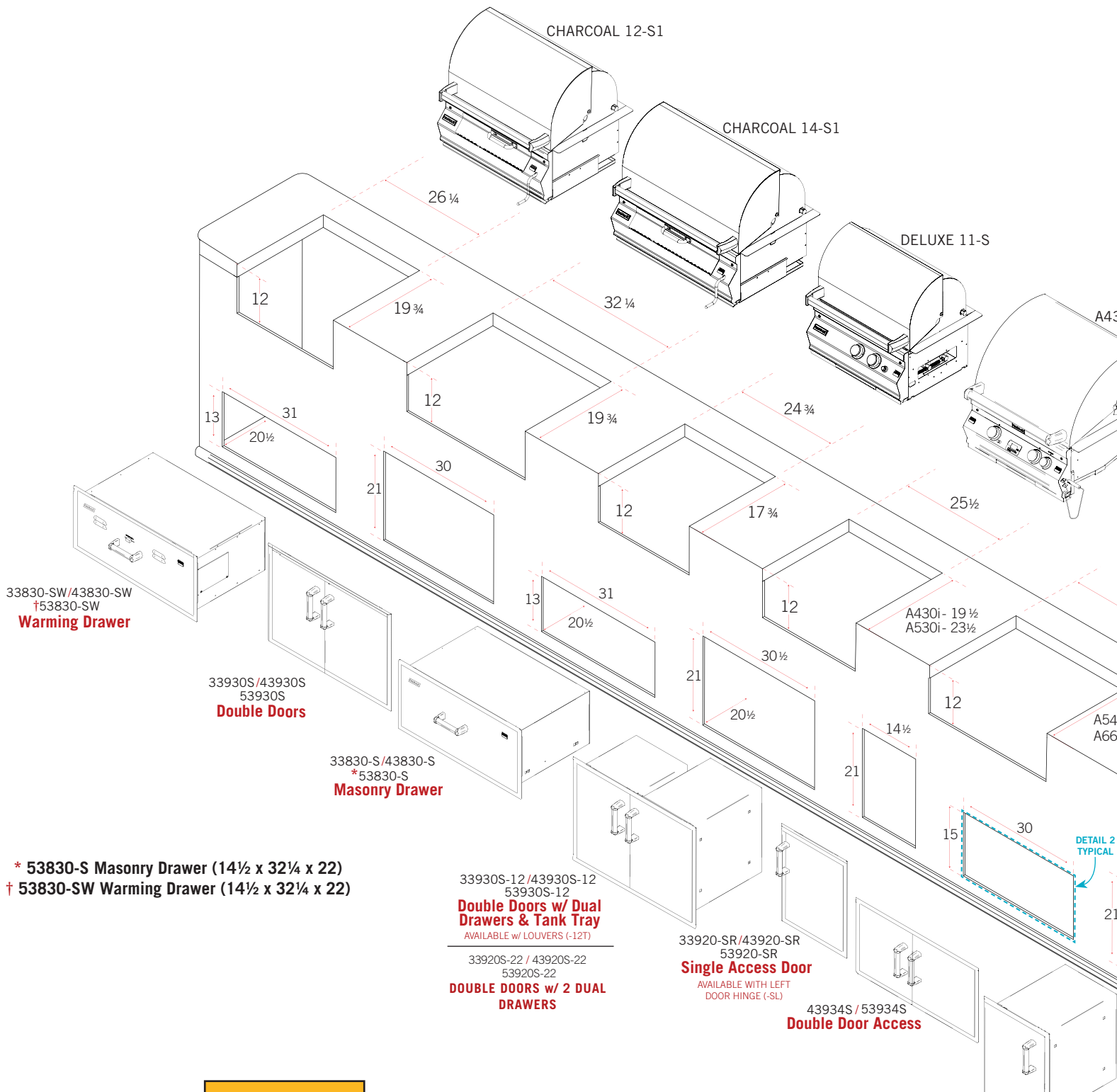




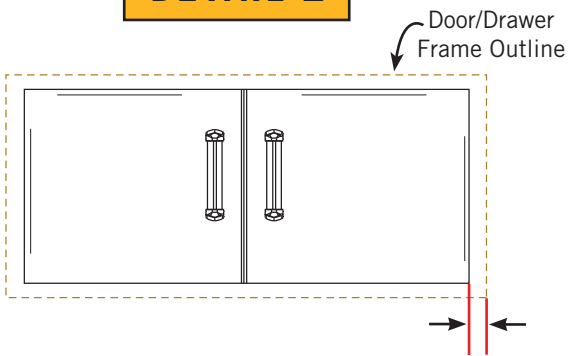
PRODUCT SPECIFICATIONS

INFORMATION FOR BUILT-IN & STAND ALONE GRILLS
DOORS AND DRAWERS

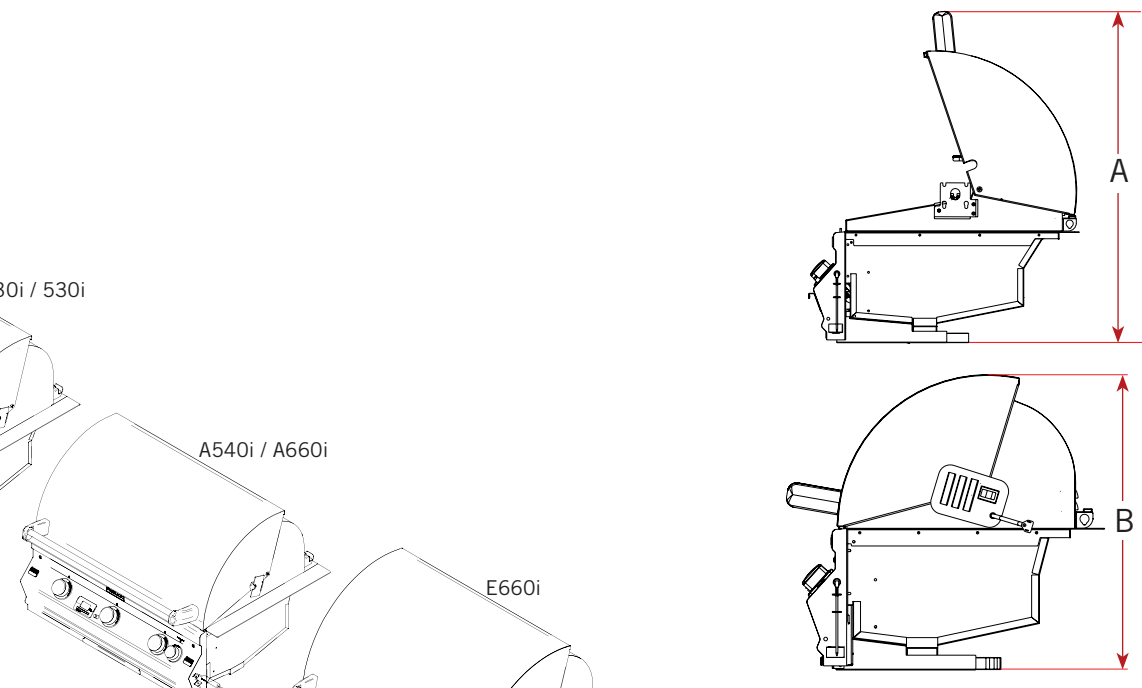




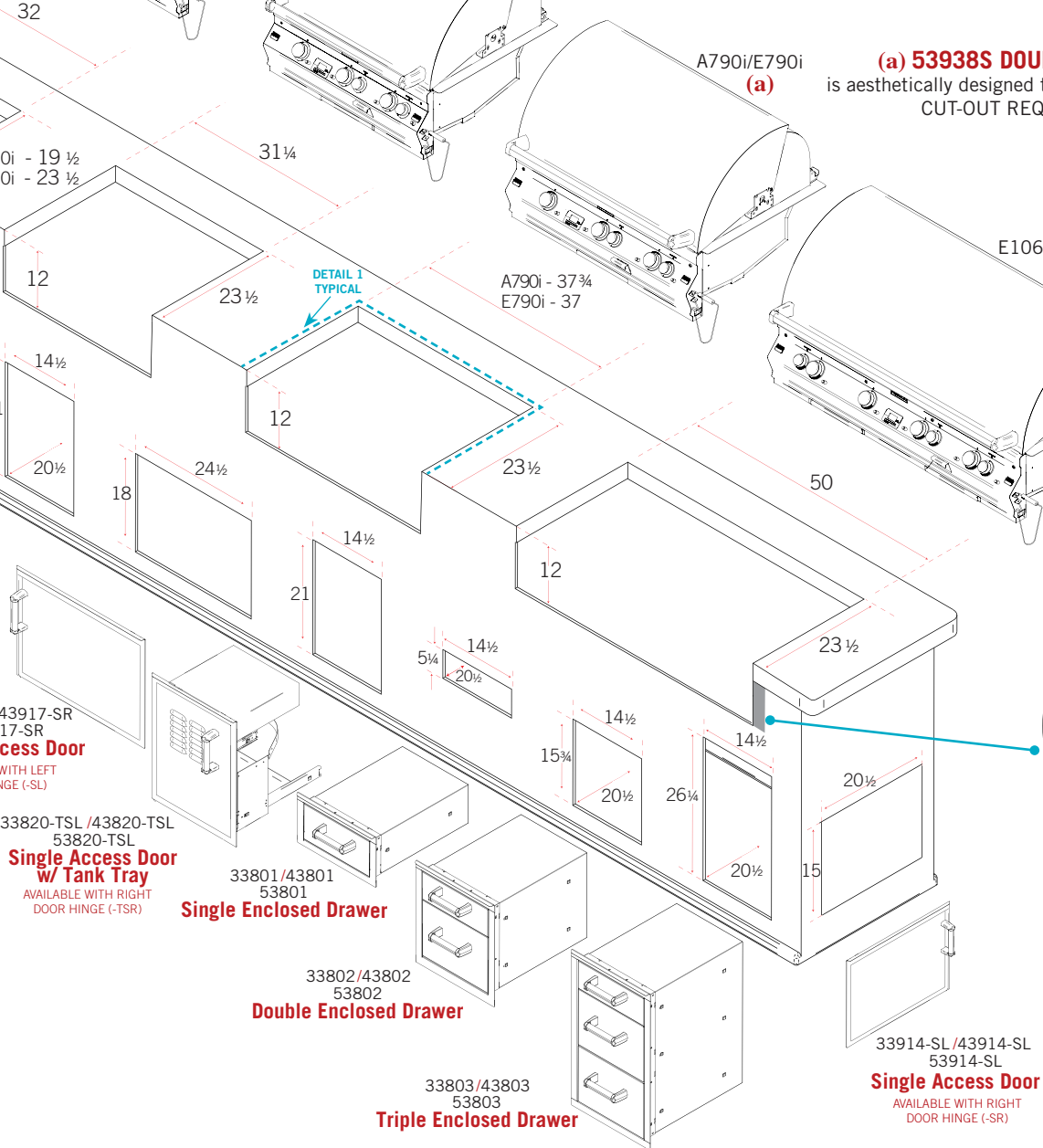
DETAIL 2



Door frame varies in width (1"-2" ALL AROUND) depending on the size & configuration of the door & drawer.



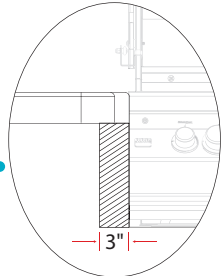
DESCRIPTION	HOOD OPEN	HOOD CLOSED
	A	B
Echelon E1060i	35 5/8"	26 3/4"
Echelon E790i	35 5/8"	26 3/4"
Echelon E660i	35 5/8"	26 3/4"
Aurora 790i	35 7/8"	26 3/8"
Aurora A660i	32 1/4"	25"
Aurora A540i	32 1/4"	25"
Aurora A530i	32 1/4"	25"
Aurora A430i	32 1/4"	25"
Deluxe 11-S	30"	25 1/8"
32" Gourmet Charcoal 14-S1	31 3/4"	32 1/2"
26" Gourmet Charcoal 12-S1	31 3/4"	32 1/2"



(a) 53938S DOUBLE ACCESS DOORS

is aesthetically designed to fit under the A790i/E790i.
CUT-OUT REQUIRED: 16" x 39"

SEE NOTE 6



3" clearance required (on both sides) for access to battery compartment when using material that extends out from island surface.

43917-SR
17-SR
Access Door
WITH LEFT
HINGE (-SL)

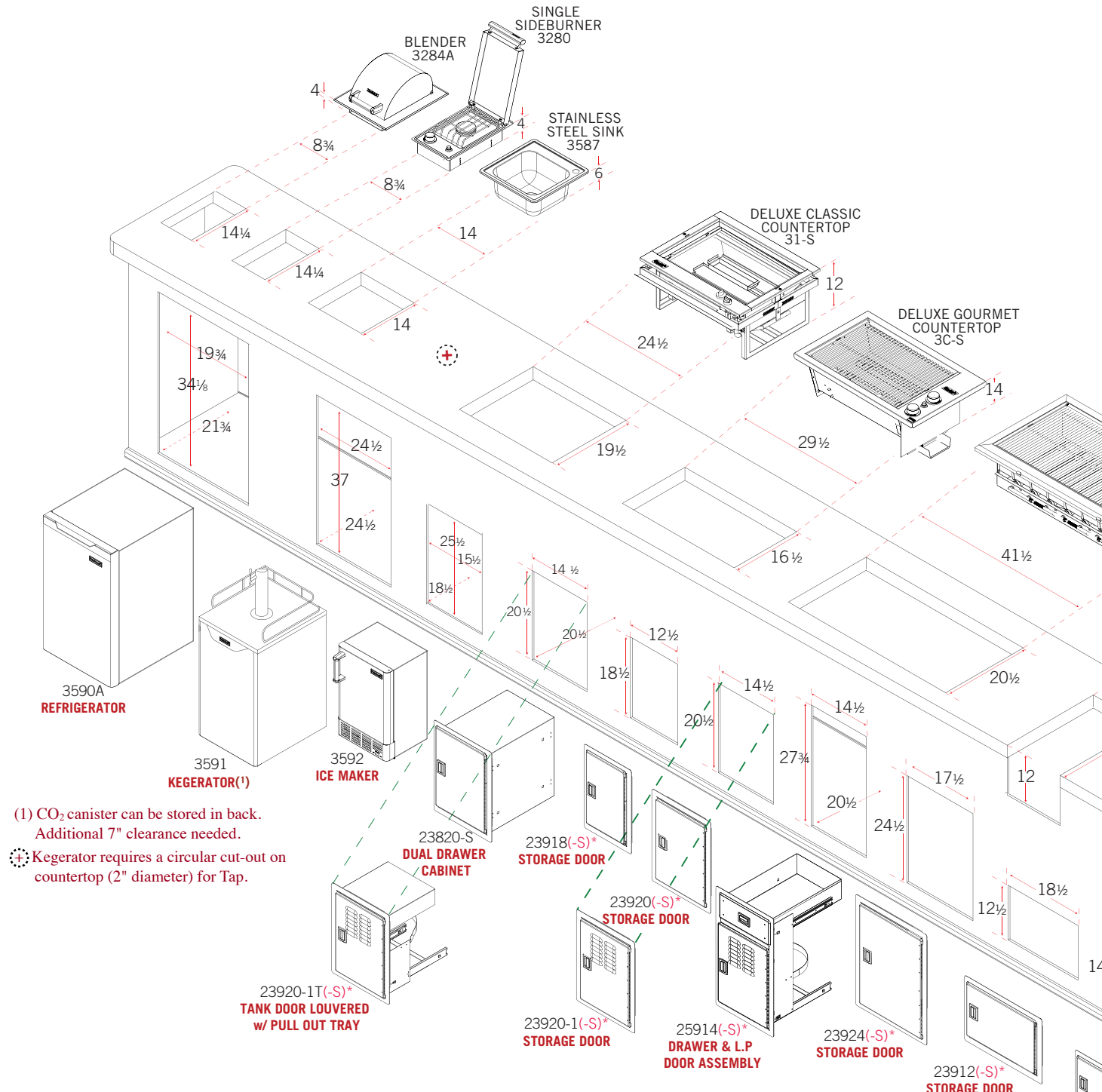
33820-TSL /43820-TSL
53820-TSL
Single Access Door w/ Tank Tray
AVAILABLE WITH RIGHT
DOOR HINGE (-TSR)

33801/43801
53801
Single Enclosed Drawer

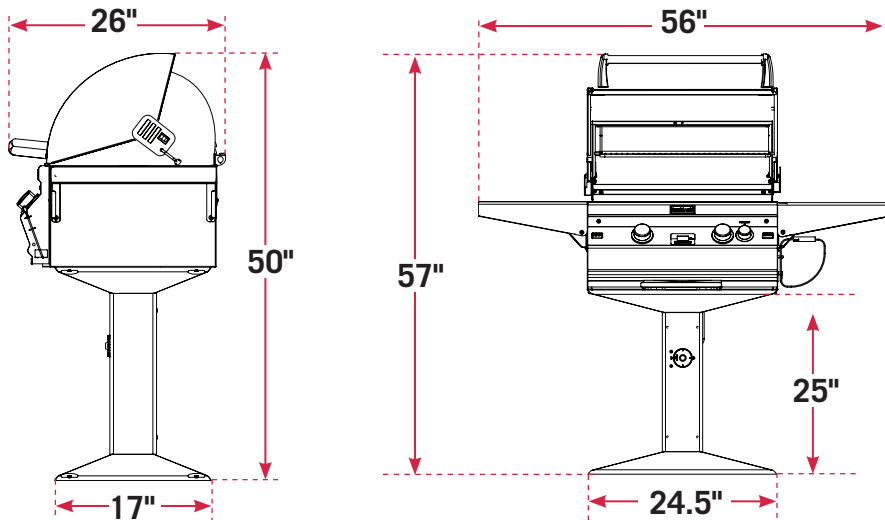
33802/43802
53802
Double Enclosed Drawer

33803/43803
53803
Triple Enclosed Drawer

33914-SL /43914-SL
53914-SL
Single Access Door
AVAILABLE WITH RIGHT
DOOR HINGE (-SR)



A430 Pedestal Dimensions A430s-2E1N-P6

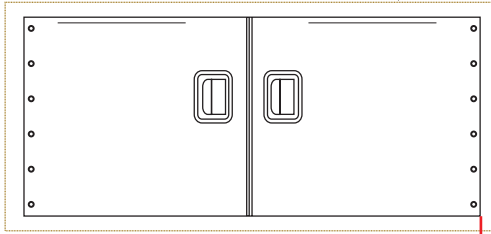


* (-S) signifies w/o (-S) signifies B

— ALL DIMENSIONS ARE IN INCHES —

DETAIL 4

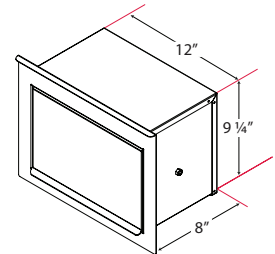
Door/Drawer Frame Outline



Door frame varies in width (1"-2" ALL AROUND) depending on the size & configuration of the door & drawer.

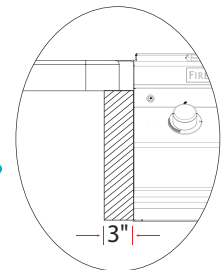
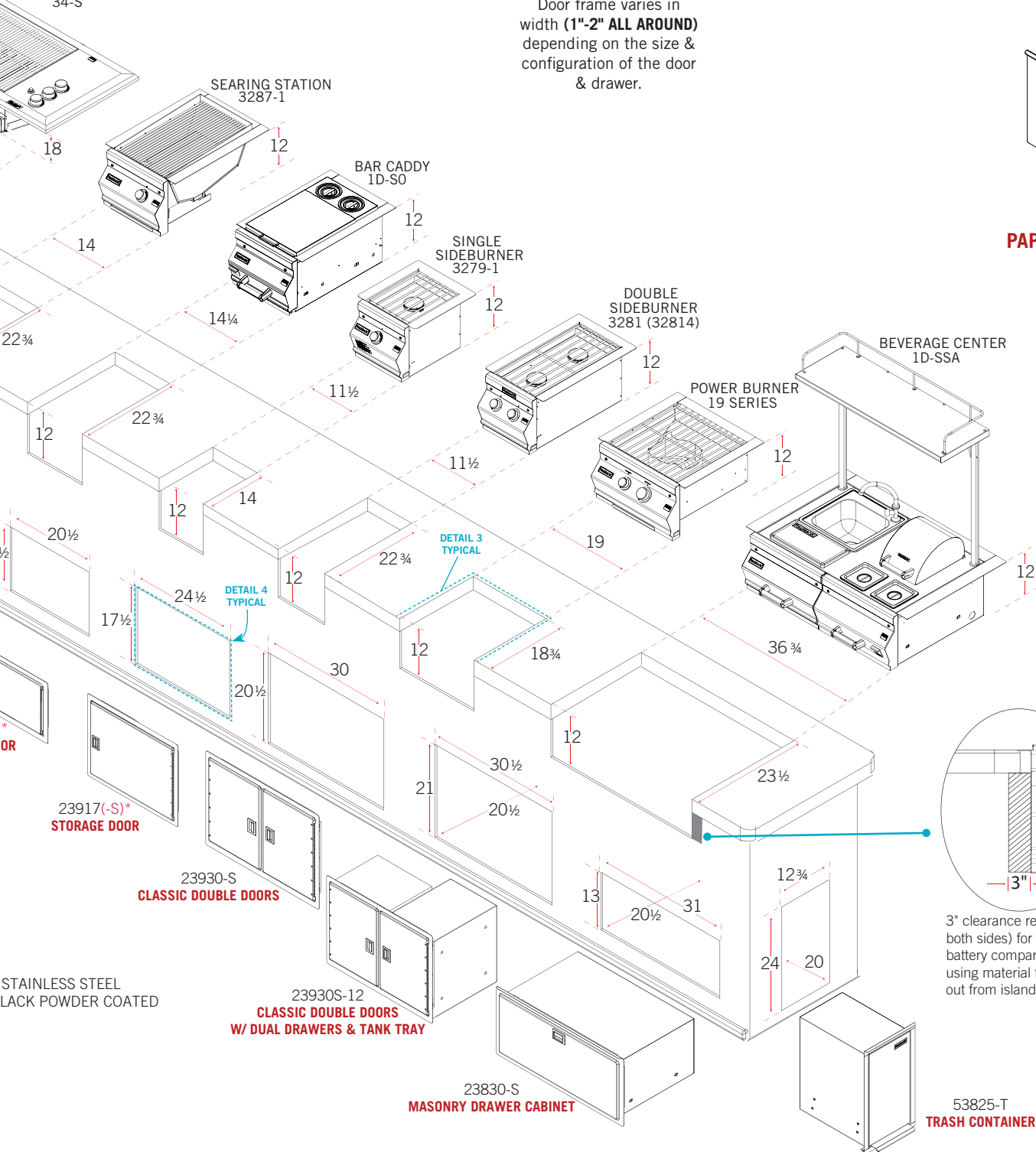
CLASSIC CHARCOAL GRILLS

DESCRIPTION	OPENING REQUIRED		HEIGHT
	WIDTH	DEPTH	
32" Lift-A-Fire Charcoal 3334	32 1/4"	19 3/4"	12"
24" Lift-A-Fire Charcoal 3339	24 3/4"	17 3/4"	12"
31" Firemaster 3324	31 1/4"	21 1/4"	12"
24" Firemaster 3329	24 1/4"	19 1/4"	12"



53812
PAPER TOWEL HOLDER

REGAL | COUNTERTOP 34-S



3" clearance required (on both sides) for access to battery compartment when using material that extends out from island surface.

STAINLESS STEEL
BLACK POWDER COATED

23917(-S)*
STORAGE DOOR

23930-S
CLASSIC DOUBLE DOORS

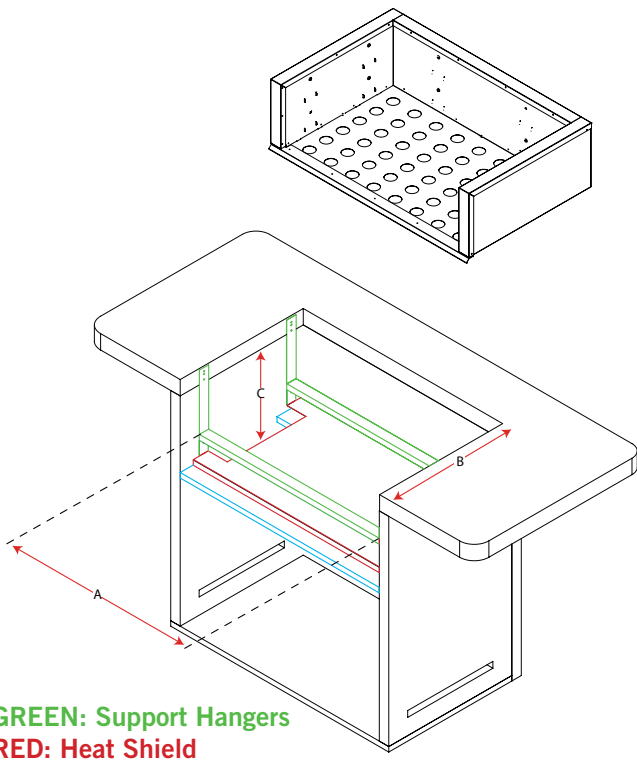
23930S-12
CLASSIC DOUBLE DOORS
W/ DUAL DRAWERS & TANK TRAY

23830-S
MASONRY DRAWER CABINET

53825-T
TRASH CONTAINER

INSULATING LINER MUST BE USED WHEN INSTALLING IN A COMBUSTIBLE ISLAND

Not used on Double Sideburner (3281), Single Sideburner (3279-1) or Drop-In Sideburner (3280)



GREEN: Support Hangers
RED: Heat Shield
BLUE: Combustibile Material

GRILL CUT-OUT DIMENSIONS w/ INSULATING LINER

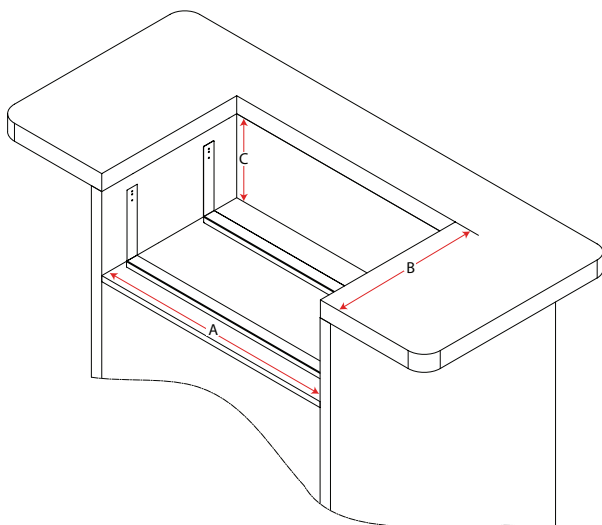
MODEL	OPENING REQUIRED		
	WIDTH	DEPTH	HEIGHT
	A	B	C
Echelon E1060i	55"	26"	12"
Echelon E790i	42 1/8"	26"	12"
Echelon E660i	36 3/8"	26"	12"
Aurora A790i	42 1/8"	26"	12"
Aurora A660i	36 3/8"	26"	12"
Aurora A540i	36 5/8"	22 1/8"	12"
Aurora A530i	30 1/8"	26"	12"
Aurora A430i	30 1/8"	22 1/8"	12"

Maintain proper clearance to combustibile materials.

Notes:

1. A nominal 1/16" gap around the back and sides of the liner is recommended for ease of installation.
2. The countertop material may be placed up to the insulating liner on the back and sides.
3. A minimum of 100 sq. in. in air ventilation is required at cabinet face.
4. Cabinet face may be made of combustibile material up to the front flange of the insulating liner.

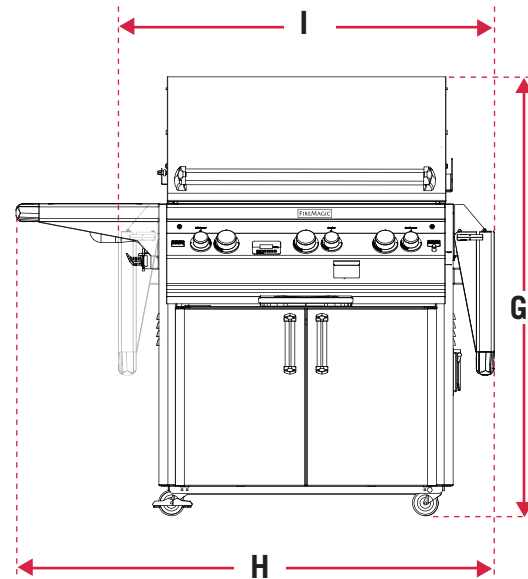
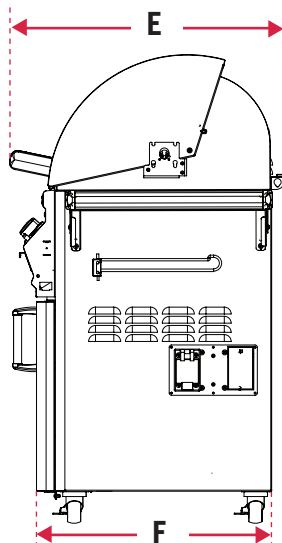
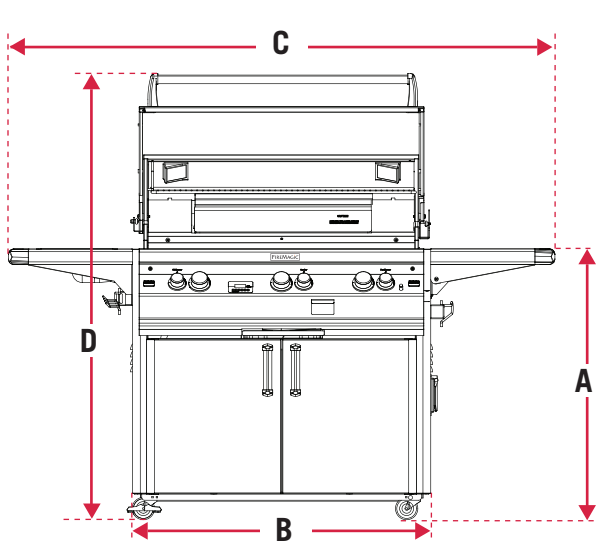
To install and operate the Fire Magic outdoor gas appliance, please refer to the Installation and Operating instructions and safety precautions shipped with the appliance.



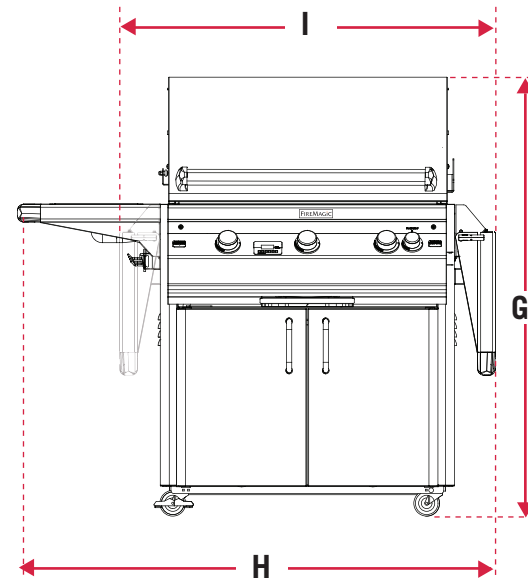
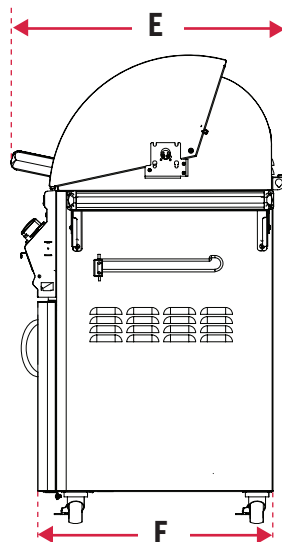
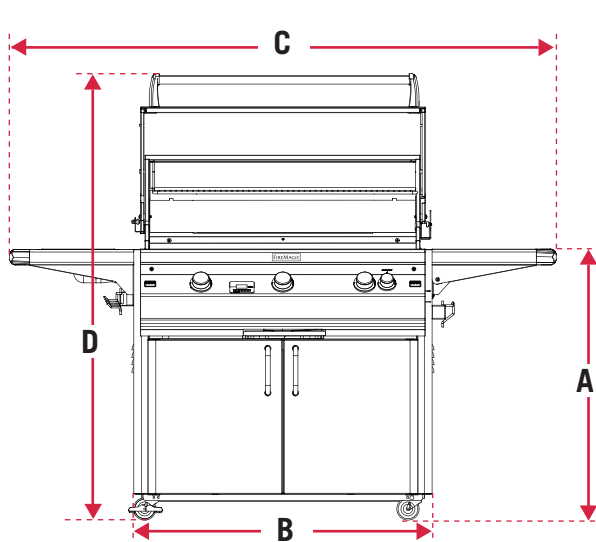
ACCESSORY & LEGACY CUT-OUT DIMENSIONS w/ INSULATING LINER

MODEL	OPENING REQUIRED		
	WIDTH	DEPTH	HEIGHT
	A	B	C
Deluxe	28	19 3/8"	12 1/4"
Power Burner	22 5/8"	20 3/4"	12"
Searing Station	18 3/8"	24 3/4"	11 5/8"

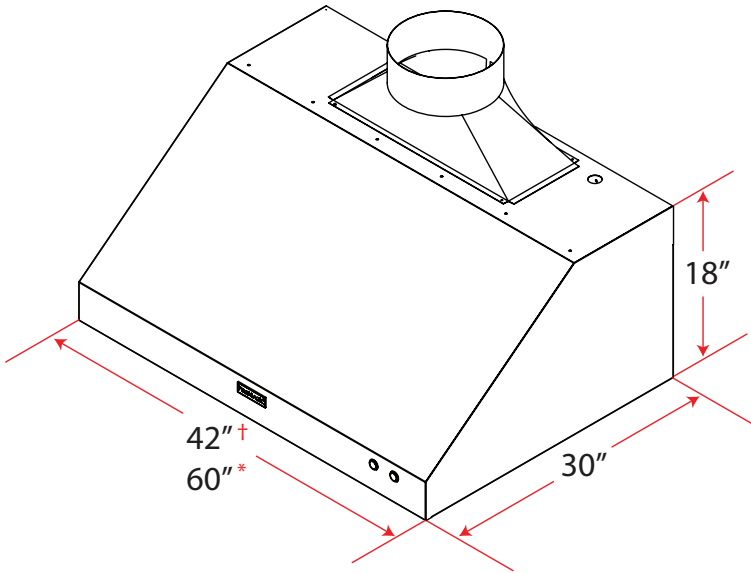
The information provided is for reference only. Detailed instructions are supplied with the insulation liner, unique to the model selected. Read those instructions carefully and completely before starting installation of the liner.



Model #	Series	Top of Face (A)	Cart Base (B)	Shelves Up (C)	Oven Open (D)	Max Outer (E)	Cart Base (F)	Oven Closed (G)	1-Up/1-Down (H)	Shelves Down (I)
E1060	62/63	37"	53"	86 1/4"	60 1/2"	29 3/4"	26"	52"	74 3/4"	n/a
E1060	51/71	37"	77 3/4"	111"	60 1/2"	29 3/4"	26"	52"	99 1/2"	88"
E790	62/63	37"	40"	73 1/4"	60 1/2"	29 3/4"	26"	52"	61 3/4"	n/a
E790	71	37"	58 3/4"	92"	60 1/2"	29 3/4"	26"	52"	80 1/2"	69"
E660	62/63	37"	34 1/4"	67 1/2"	60 1/2"	29 3/4"	26"	52"	56"	n/a
E660	71	37"	53"	86 1/4"	60 1/2"	29 3/4"	26"	52"	74 3/4"	63 1/4"



Model #	Series	Top of Face (A)	Cart Base (B)	Shelves Up (C)	Oven Open (D)	Max Outer (E)	Cart Base (F)	Oven Closed (G)	1-Up/1-Down (H)	Shelves Down (I)
A660s	61/62	37"	32 1/2"	62 1/4"	60 1/2"	29 3/4"	26"	52"	52 1/2"	41 1/2"
A540s	61/62	37"	32 1/2"	62 1/4"	57"	25 3/4"	21 3/4"	50"	52 1/2"	41 1/2"
A530s	61/62	37"	26"	55 3/4"	60 1/2"	29 3/4"	26"	52"	46"	35 1/4"
A430s	61/62	37"	26"	55 3/4"	57"	25 3/4"	21 3/4"	50"	46"	35 1/4"



SPECIFICATION

Electrical requirements	110 volts, 60 hertz, 20 amp; GFI outlet.
Fans	12 VDC, 1400 CFM
Power supply †	12 VDC, 60 watts
Battery Charger ‡	12 VDC, 5 amps
Solar Battery ‡	12 V
Solar Panel ‡	10 watts (panel dimensions: 11 7/8 h x 13 7/8 w)

Models Available

- † 42-VH-3
- * 60-VH-3

(add -S for solar)

FIRE MAGIC OUTDOOR GAS GRILL WARRANTY

LIFETIME WARRANTY

FIRE MAGIC CAST STAINLESS STEEL BURNERS, STAINLESS STEEL ROD COOKING GRIDS, AND STAINLESS STEEL HOUSINGS ARE WARRANTED FOR AS LONG AS YOU OWN YOUR FIRE MAGIC GRILL.

FIFTEEN YEAR WARRANTY

FIRE MAGIC BRASS BURNERS, BRASS VALVES, BACKBURNER ASSEMBLIES (EXCEPT IGNITION SYSTEMS) AND MANIFOLD ASSEMBLIES ARE WARRANTED FOR FIFTEEN (15) YEARS.

FIVE YEAR WARRANTY

INFRARED BURNERS ARE WARRANTED FOR FIVE (5) YEARS.
CHARCOAL STAINLESS STEEL GRILLS ARE WARRANTED FOR FIVE (5) YEARS, EXCEPT FOR THE CHARCOAL PAN AND ASH TRAY, WHICH ARE WARRANTED FOR ONE (1) YEAR.

THREE YEAR WARRANTY

FIRE MAGIC SIDEBURNERS AND ALL OTHER FIRE MAGIC GRILL COMPONENTS (EXCEPT IGNITION SYSTEMS AND ELECTRICAL PARTS) ARE WARRANTED FOR THREE (3) YEARS.

FIRE MAGIC IGNITION SYSTEMS, ELECTRICAL COMPONENTS (INCLUDING LIGHTS AND THERMOMETER) AND GRILL ACCESSORIES ARE WARRANTED FOR ONE YEAR.

THE ROBERT H. PETERSON CO. RESERVES THE RIGHT TO AMEND PRODUCT SPECIFICATIONS WITHOUT PRIOR NOTICE.