

COMBINATION INSTALLATIONS



DR30DI Range with ERV3015 Raised Vent

PLANNING GUIDE

WARNING

- Observe all governing codes and ordinances during planning and installation. Contact your local building department for further information.
- All appliances must be installed in accordance with the accompanying installation instructions.

Self-Rimming Installation With Raised Vent (Option 1)

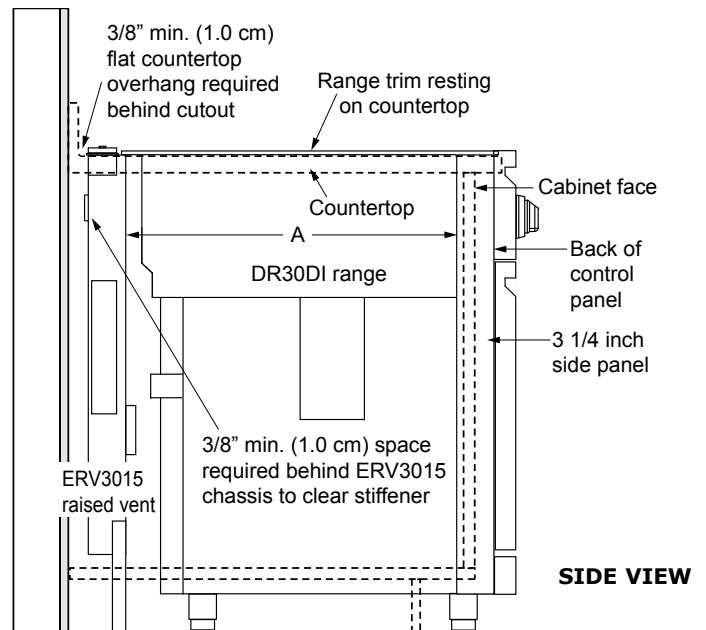
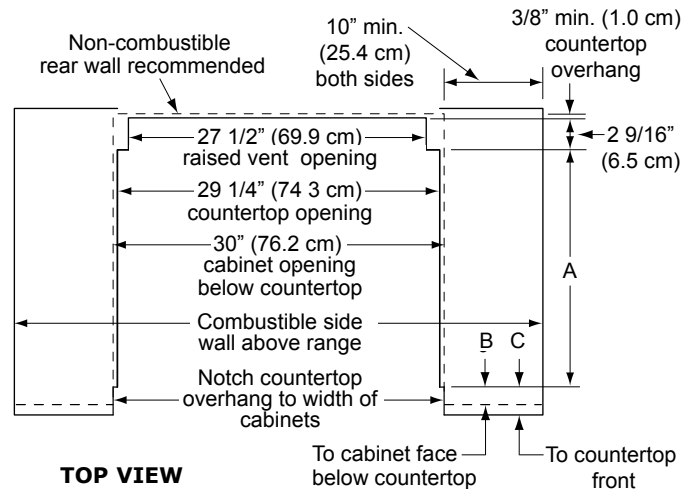
- Only model DR30DI may be installed with a raised vent. Use only Dacor raised vent model ERV3015.
- A self-rimming countertop configuration is required for raised vent installation. On installations with a raised vent, when sliding the range into position, it will stop when the rear of the control panel or side panels contact the notches toward the front of the countertop.
- The self-rimming installation of the DR30DI range and ERV3015 raised vent create a "built-in" look where the range trim overlaps the countertop on both sides and the raised vent overlaps the countertop in back. It is also possible, if the cabinets are deep enough, to self rim the front of the range into the cabinet face immediately behind the control panel and door trim or behind the side panels (see side views on following page). The rear range trim will partially cover the front of the raised vent chassis in back.

Model DR30DI Range and ERV3015 Raised Vent With	A	B	C
Countertop self-rimmed only	20 5/8" (52.4 cm)	0" (0 cm) to 3 1/4" (8.3 cm)	0" (0 cm) to 5 3/8" (13.7 cm)

Countertop height for all self-rimming installations:
35 7/16" (90.0 cm) minimum, 37 7/16" (95.1 cm) maximum

Cabinet tolerances: -1/16", (+1.6 mm) -0

MODEL DR30DI/ERV3015 COUNTERTOP SELF-RIMMED ONLY, 3 1/4 INCH SIDE PANELS NOT REMOVED



COMBINATION INSTALLATIONS



DR30DI Range with ERV3015 Raised Vent

PLANNING GUIDE

Self-Rimming Installation With Raised Vent (Options 2 and 3)

- Only model DR30DI may be installed with a raised vent. Use only Dacor raised vent model ERV3015.
- A self-rimming countertop configuration is required for raised vent installation. On installations with a raised vent, when sliding the range into position, it will stop when the rear of the control panel or side panels contact the notches toward the front of the countertop.
- The self-rimming installation of the DR30DI range and ERV3015 raised vent create a "built-in" look where the range trim overlaps the countertop on both sides and the raised vent overlaps the countertop in back. It is also possible, if the cabinets are deep enough, to self rim the front of the range into the cabinet face immediately behind the control panel and door trim or behind the side panels (see below). The rear range trim will partially cover the front of the raised vent chassis in back.

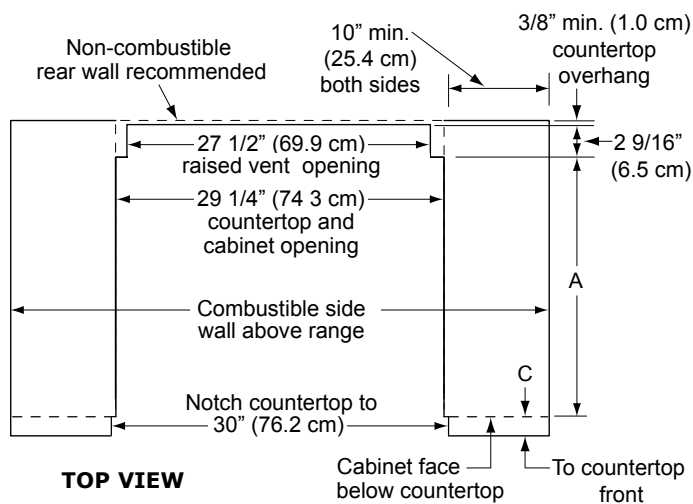
Model DR30DI Range and ERV3015 Raised Vent With	A	B	C
Countertop and Cabinet Front Self-Rimmed,	20 5/8" * (52.4 cm)	NA	0" (0 cm) to 5 3/8" (13.7 cm)
Countertop and Cabinet Front Self-Rimmed (side panels removed)	23 7/8" * (60.6 cm)	NA	0" (0 cm) to 2 1/8" (5.4 cm)

* Cabinet face below countertop must be flush with back of notch in countertop

Countertop height for all self-rimming installations:
35 7/16" (90.0 cm) minimum, 37 7/16" (95.1 cm) maximum

Cabinet tolerances: -1/16", (+1.6 mm) -0

MODEL DR30DI/ERV3015 COUNTERTOP AND CABINET FRONT SELF-RIMMED, 3 1/4 INCH SIDE PANELS NOT REMOVED



MODEL DR30DI/ERV3015 COUNTERTOP AND CABINET FRONT SELF-RIMMED, 3 1/4 INCH SIDE PANELS REMOVED

