



GE Appliances

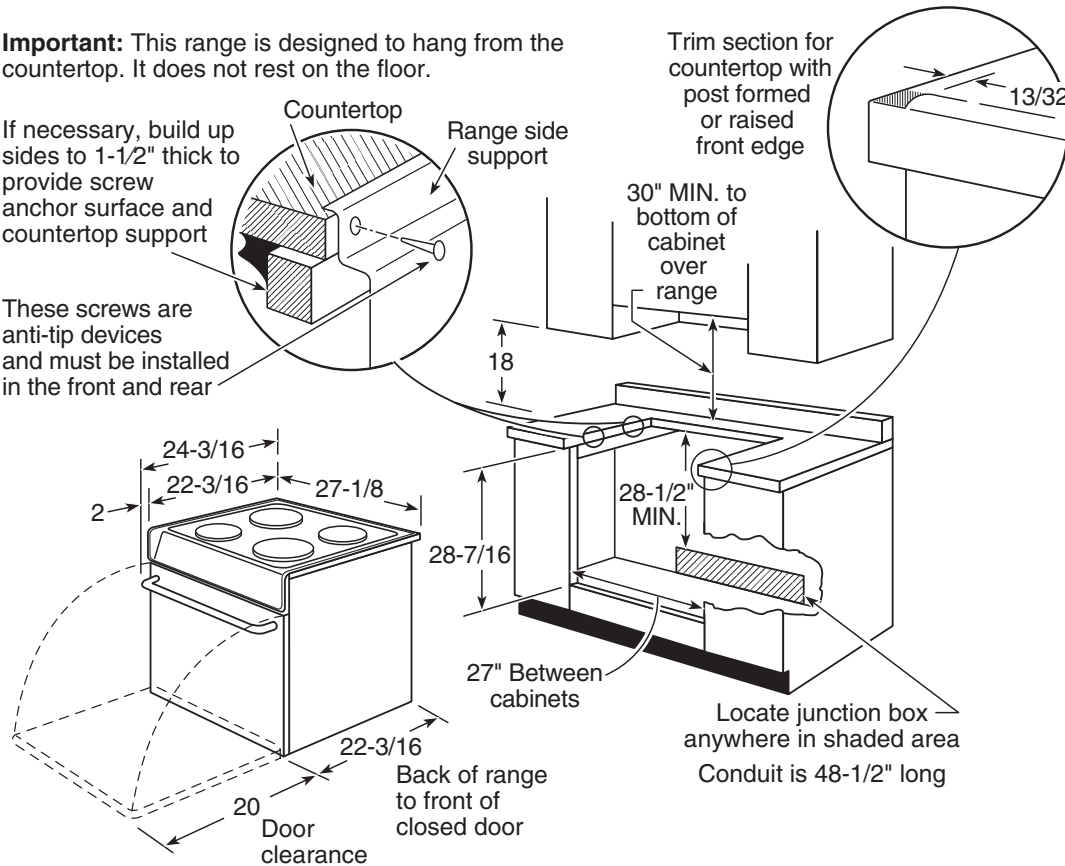
JMP28BDCT – GE Spacemaker™ 27" Drop-In Electric Range with Self-Cleaning Oven

Dimensions (in inches)

Important: This range is designed to hang from the countertop. It does not rest on the floor.

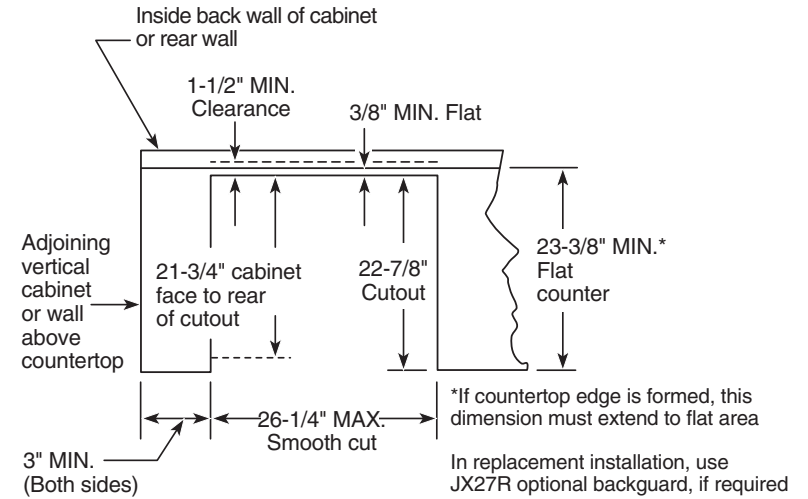
If necessary, build up sides to 1-1/2" thick to provide screw anchor surface and countertop support

These screws are anti-tip devices and must be installed in the front and rear



Note: Cabinets installed adjacent to drop-in electric ranges must have an adhesion spec of at least a 194°F temperature rating.

Countertop Cutout Top View



KW Rating	
240V	9.8
208V	7.3

Optional Backguard
(Available at additional cost)
JX27RBK = Black
JX27RWH = White

Note: All 27" Drop-In Electric Ranges conform to U.L. requirements for minimum spacing between range and side walls below countertop.

Note: Door handle protrudes 2-3/4" from door face. Cabinets and drawers on adjacent 45° and 90° walls should be placed to avoid interference with the handle.

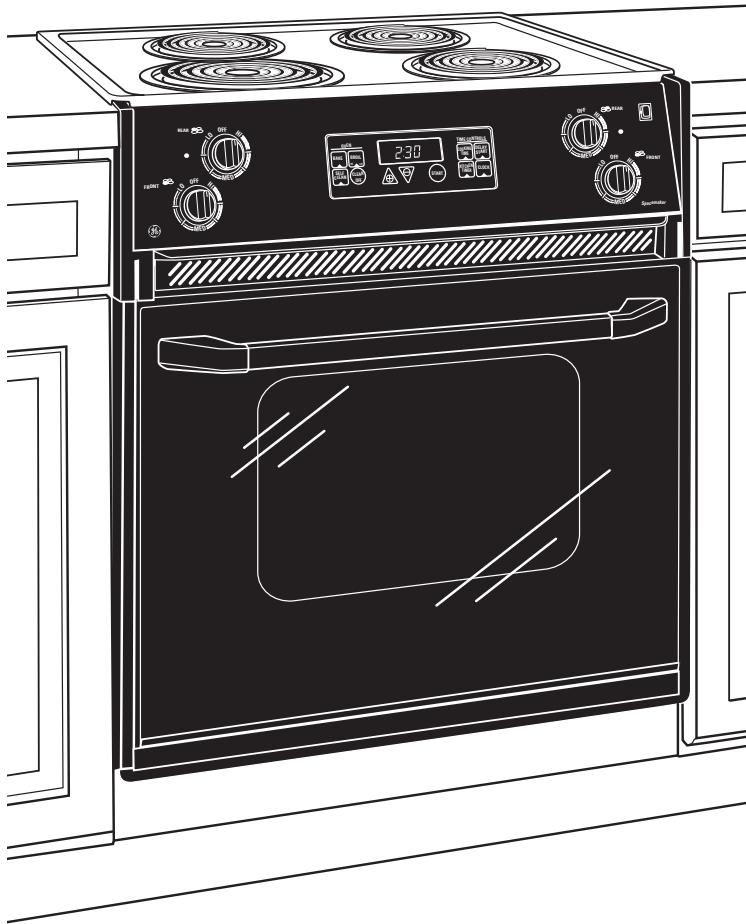
Installation Information: Before installing, consult installation instructions packed with product for current dimensional data.

For answers to your Monogram®, GE Profile™ or GE® appliance questions, visit our website at GEAppliances.com or call GE Answer Center® service, 800.626.2000.



GE Appliances

JMP28BDCT – GE Spacemaker™ 27" Drop-In Electric Range with Self-Cleaning Oven



Features and Benefits

- Self-clean oven – Conveniently cleans the oven cavity without the need for scrubbing
- Coil heating elements – Provides consistent and even heat on the cooktop with a plug-in element that is removable for easy cleaning
- Electronic clock and timer – Features a convenient digital clock and easy-to-use timer with an audible signal to help coordinate cooking times in the kitchen
- Big view window – Provides a large, convenient viewing area to check the progress of food
- Dual element bake – Alternates the upper broiling element and the lower baking element for even heating and optimal baking results
- Lift-up porcelain cooktop – Makes spills and messes under the cooktop easily accessible and within reach
- Frameless glass oven door – Offers an easy-to-clean and stylish design that blends seamlessly into existing cabinetry
- Model JMP28BDCT – Bisque (Black door and bisque cooktop)