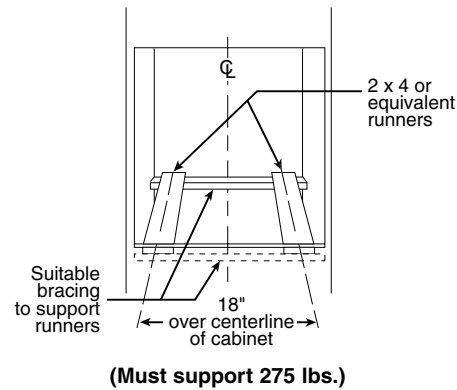
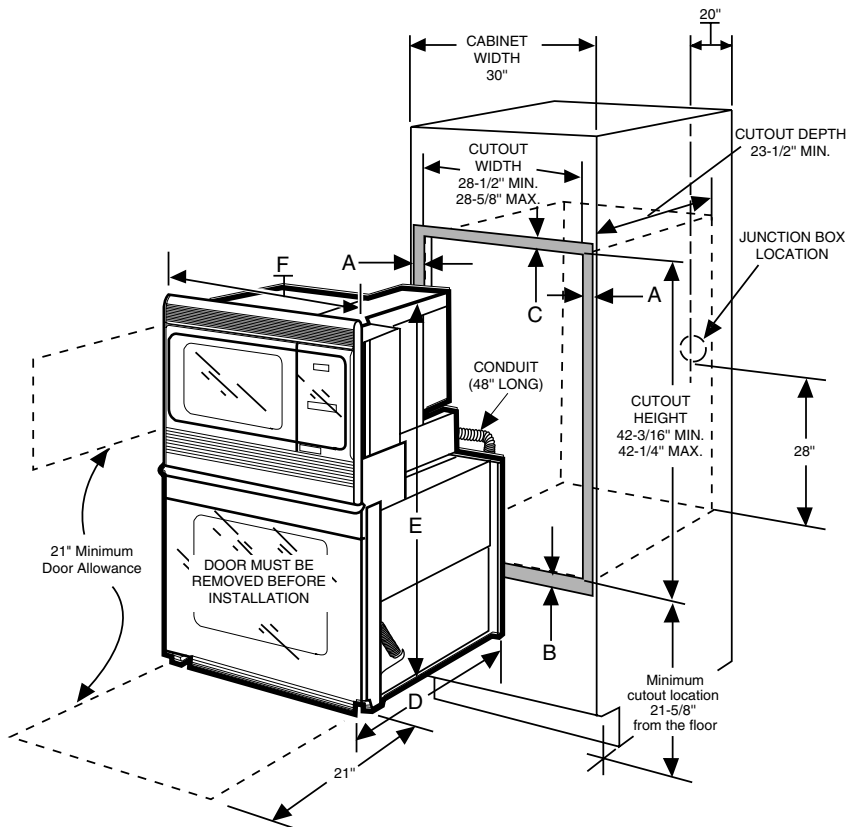




GE Appliances

JTP86SH – GE 30" Built-In Double Microwave/Thermal Oven

Dimensions (in inches)



KW Rating	
240V	6.6
208V	5.3
Breaker Size	
240V	30 Amps
208V	30 Amps

Cabinet	30"
A – Overlap of Oven Over Side Edges of Cutout	11/16"
B – Overlap of Oven at Bottom of Cutout	1"
C – Overlap of Oven at Top of Cutout	1/2"
Oven	
D – Overall Depth	23-1/2"
E – Overall Height	43-1/2"
F – Overall Width	29-3/4"

Note: Cabinets installed adjacent to wall ovens must have an adhesion spec of at least a 194°F temperature rating.

Installation Information: Before installing, consult installation instructions packed with product for current dimensional data.

MOST 30" WALL CABINETS CAN BE USED WITH THIS UNIT.
THE OPENING BETWEEN THE INSIDE WALLS MUST BE AT LEAST 28-1/2" WIDE.

Electric wall ovens are not approved for installation with a plug and receptacle. They must be hard wired in accordance with installation instructions.

Specification Revised 5/04

320134

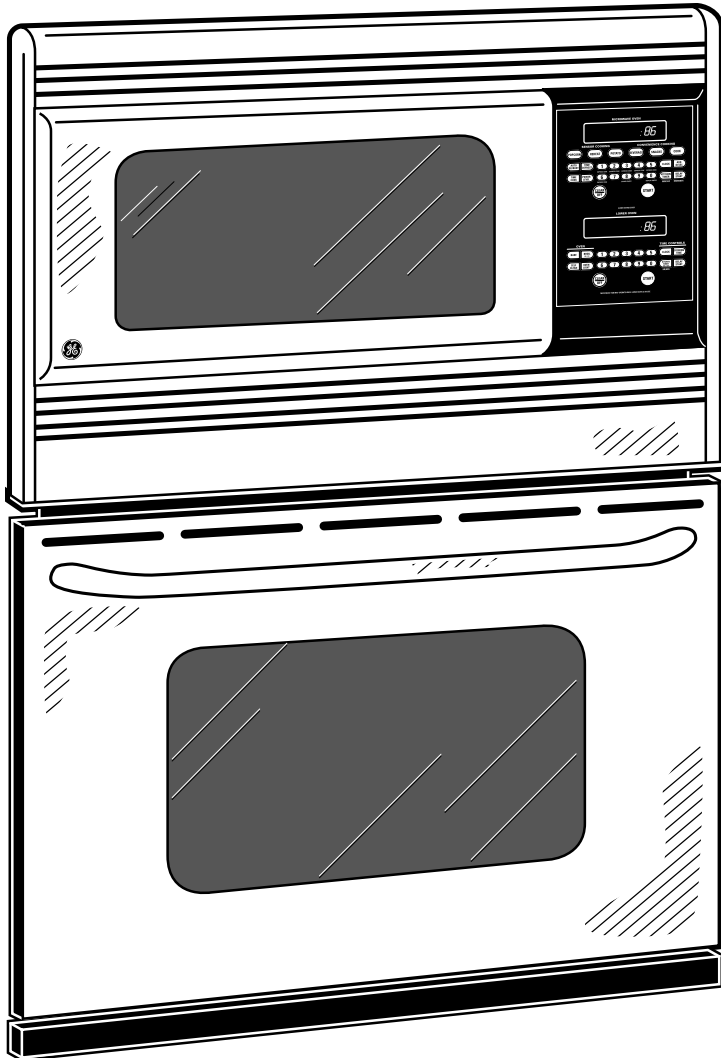


For answers to your Monogram®, GE Profile™ or GE® appliance questions, visit our website at GEAppliances.com or call GE Answer Center® service, 800.626.2000.



GE Appliances

JTP86SH – GE 30" Built-In Double Microwave/Thermal Oven



Features and Benefits

- Upper Oven – 1.6 cu. ft. Capacity Microwave/1000 Watts with Turntable
- Sensor and Convenience Cooking Controls
- Electronic Touch Controls with Kitchen Timer
- Lower Oven – Extra-Large 4.4 cu. ft. Capacity Self-Cleaning Thermal Oven with Delay Clean Option
- TrueTemp™ System
- SmartSet Electronic Oven Controls with Digipad
- 2 Oven Racks with 6 Embossed Positions
- Frameless Glass Oven Door with Big ClearView™ Window and Interior Oven Light
- Model JTP86SHSS – Stainless steel

Specification Revised 5/04

320134