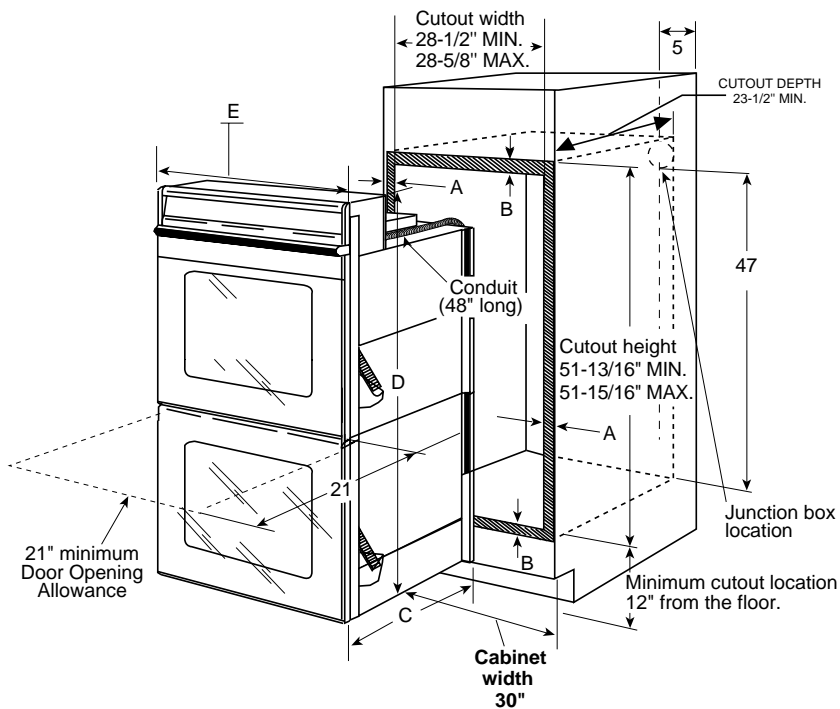




GE Appliances

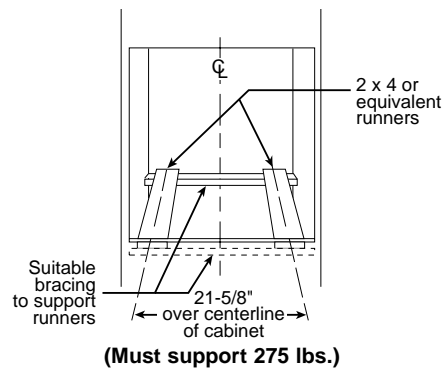
JTP28BF/CF/SF/WF – GE 30" Built-In Double Oven

Dimensions (in inches)



MOST 30" WALL CABINETS CAN BE USED WITH THIS UNIT
THE OPENING BETWEEN THE INSIDE WALLS MUST BE AT LEAST 28-1/2" WIDE

Electric wall ovens are not approved for installation with a plug and receptacle. They must be hard wired in accordance with installation instructions.



Cabinet	30"
A – Overlap of Oven Over Side Edges of Cutout	11/16" – 3/4"
B – Overlap of Oven at Top and Bottom of Cutout	1"
Oven	
C – Overall Depth	23-1/2"
D – Overall Height	52-7/8"
E – Overall Width	29-3/4"

Note: Cabinets installed adjacent to wall ovens must have an adhesion spec of at least a 194°F temperature rating.
Installation Information: Before installing, consult installation instructions packed with product for current dimensional data.

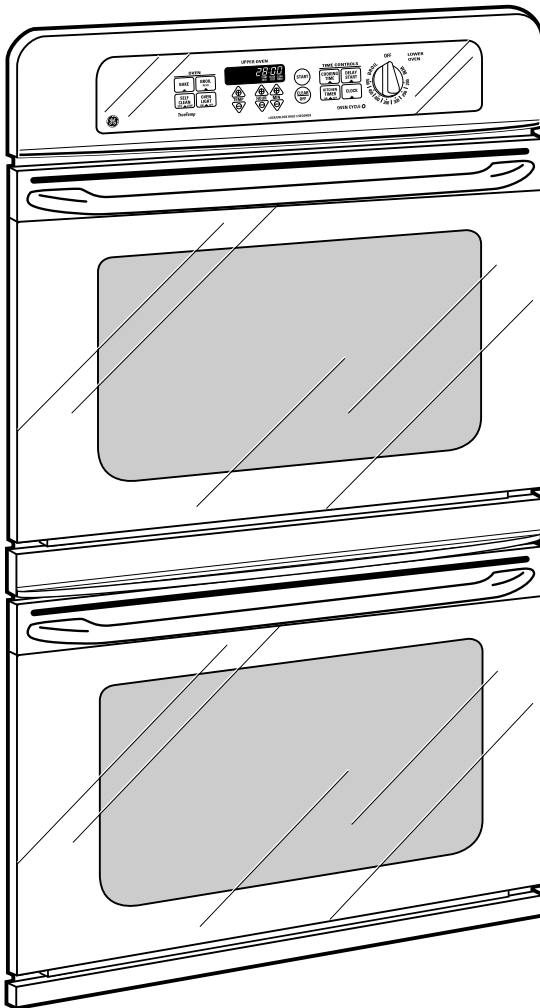
KW Rating	
240V	8.8
208V	6.6
Breaker Size	
240V	40 Amps
208V	30 Amps





GE Appliances

JTP28BF/CF/SF/WF – GE 30" Built-In Double Oven



Features and Benefits

- TrueTemp™ System (Upper Oven)
- 2 Extra-Large 4.4 cu. ft. Capacity Ovens (Self-Clean Upper Oven)
- 2 Oven Racks with 6 Embossed Positions in Each Oven
- Six-Pass Bake Element
- SmartSet Electronic Oven Controls (Upper Oven)
- True Frameless Glass Oven Doors with Big ClearView™ Windows
- Certified Sabbath Mode (Upper Oven)
- Interior Oven Light
- Installation Flexibility
- Model JTP28WFWW – White on white
- Model JTP28BFBB – Black on black
- Model JTP28CFCC – Bisque on bisque
- Model JTP28SFSS – Stainless steel

Specification Created 7/02