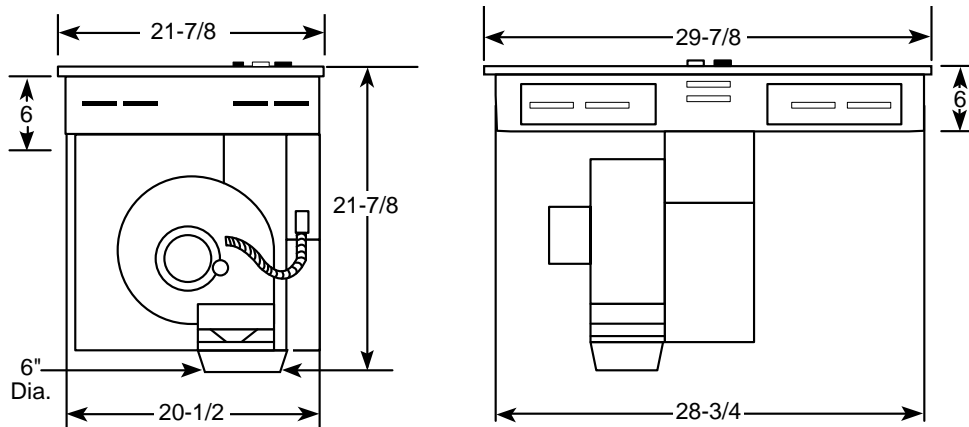




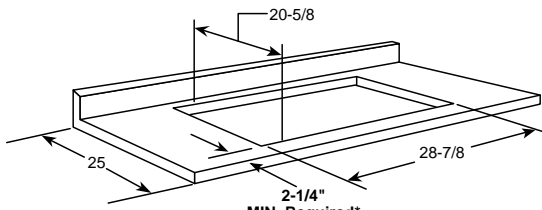
Profile™

## JGP989BC/KC/TC – GE Profile™ 30" Downdraft Gas Cooktop

### Built-In Downdraft Cooktops Dimensions (in inches)



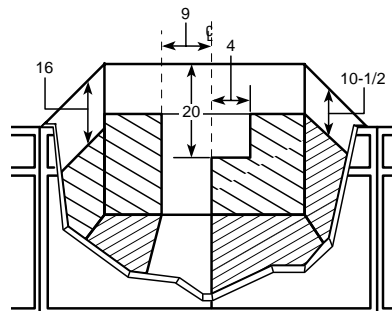
### Cutout Dimensions (in inches)



\*U.L. Requirement.

**Note:** A 5" minimum spacing to adjacent side walls is required.

### Cabinet Dimensions (in inches)



#### Receptacle Location

Install an approved junction box within shaded area shown in diagram. Junction box must be at least 10-1/2" below top of cabinet.

#### Wall Installation

Wall installations require 25" countertop depth. When cabinet is flush against the wall, the fan housing can be rotated to the horizontal position for direct venting through rear wall. Make a countertop cutout in the range cabinet according to unit dimensions and installation type. Duct hole is positioned in back of cabinet for through-the-wall ducting. Requires special offset adapter JXRW89.

#### Peninsula or Island Installation

For peninsula/islands a minimum 26" countertop depth is suggested. Blower should be in vertical position. Island or peninsula cabinets may require adjustment in cutout depth and/or location within the width dimensions. Duct hole is positioned in bottom of cabinet for island or peninsula installation.

#### Slab Installation

For peninsula or island installation and rear wall ducting, **6" PVC duct or locally approved piping should be used if installing under a poured concrete slab.**

**Installation Information:** Before installing, consult installation instructions packed with product for current dimensional data.

**These cooktops are approved for indoor use only.**



Listed by  
Underwriters  
Laboratories

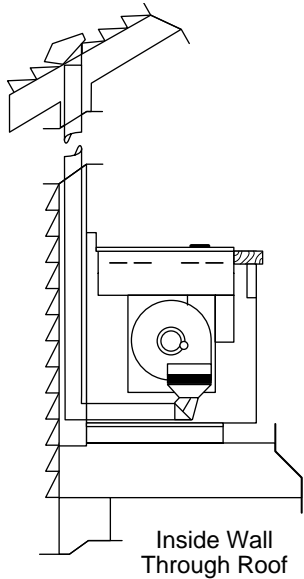
For answers to your Monogram®, GE Profile™ or GE appliance questions, visit our website at [GEAppliances.com](http://GEAppliances.com) or call GE Answer Center® service, 800.626.2000.



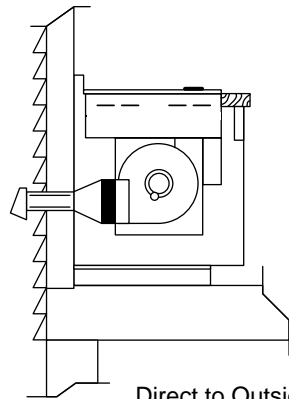
Profile™

## JGP989BC/KC/TC – GE Profile™ 30" Downdraft Gas Cooktop

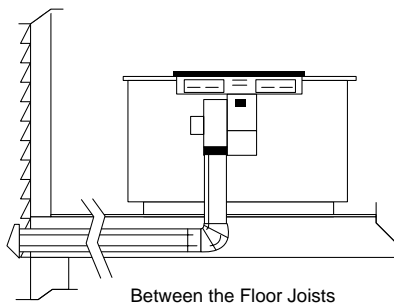
### Venting Options



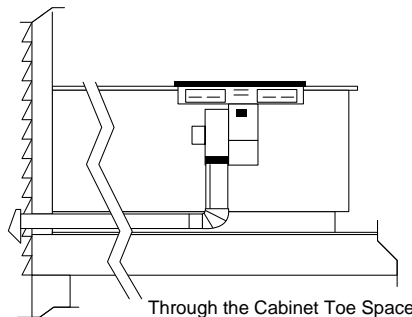
Inside Wall Through Roof



Direct to Outside Straight Duct (requires special offset adapter JXRW89)

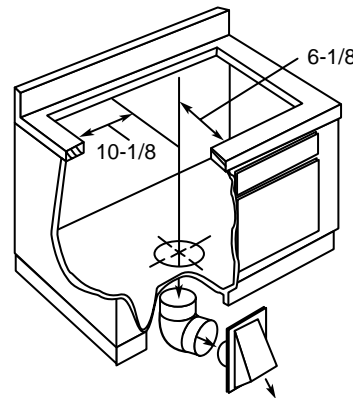


Between the Floor Joists

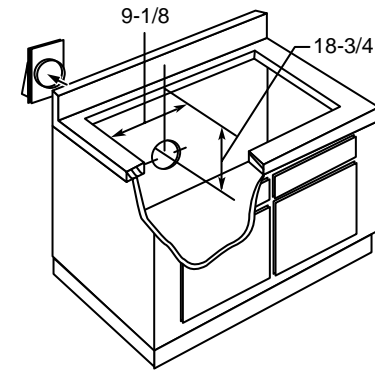


Through the Cabinet Toe Space

### Downward Venting (in inches)



### Rear Wall Venting (in inches)



### Installing the Ductwork

Use galvanized or aluminum duct in 6" round or 3-1/4" x 10" size, or combination of both. **PVC duct or locally approved piping should be used if installing under a poured concrete slab.** Local building code must be followed in specifying type and schedule of all duct used.

**Note:** Ductwork must be vented to outside. Do not vent into a wall, ceiling, crawlspace, attic or any concealed space. Always use an appropriate roof or wall cap with damper. **Laundry-type wall caps should never be used.** For maximum efficiency use the shortest and straightest duct run possible, with as few fittings as possible. For satisfactory performance the duct run should not exceed 100 feet equivalent length. Refer to the table of equivalent lengths (shown in installation instructions) for various duct configurations.



Listed by Underwriters Laboratories

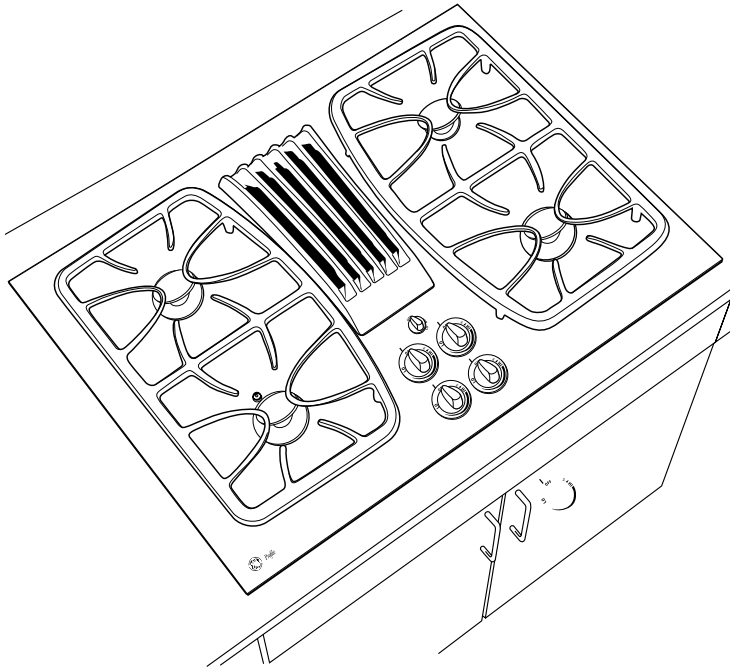
For answers to your Monogram®, GE Profile™ or GE appliance questions, visit our website at [GEAppliances.com](http://GEAppliances.com) or call GE Answer Center® service, 800.626.2000.

Specification Created 7/02



*Profile™*

## JGP989BC/KC/TC – GE Profile™ 30" Downdraft Gas Cooktop



### Features and Benefits

- 4 Sealed Cooktop Burners
- Electronic Pilotless Ignition
- Glass Ceramic Surface
- 400 CFM Downdraft Exhaust
- True Frameless Appearance
- Model JGP989BCBB – Black on black
- Model JGP989KCCC – True Bisque
- Model JGP989TCWW – True White