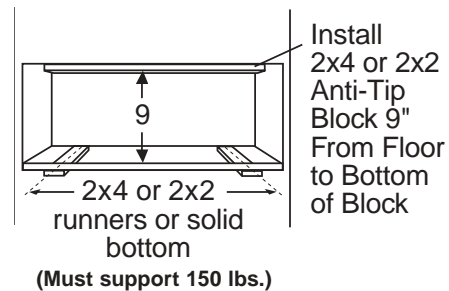
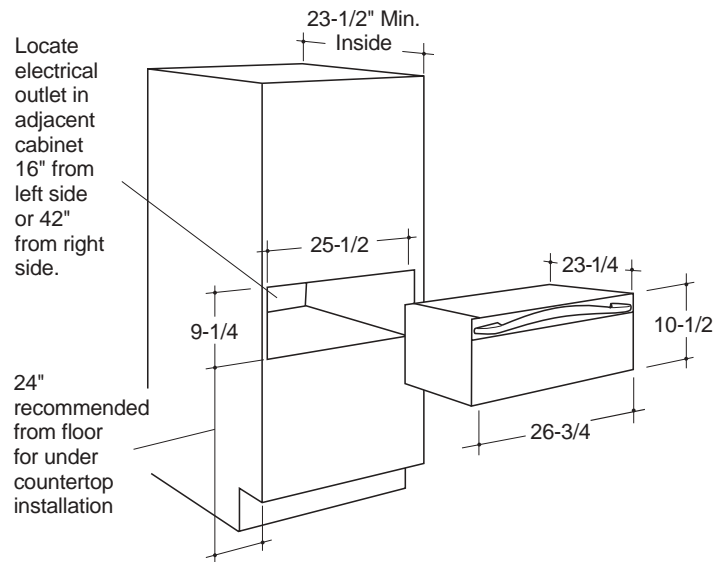




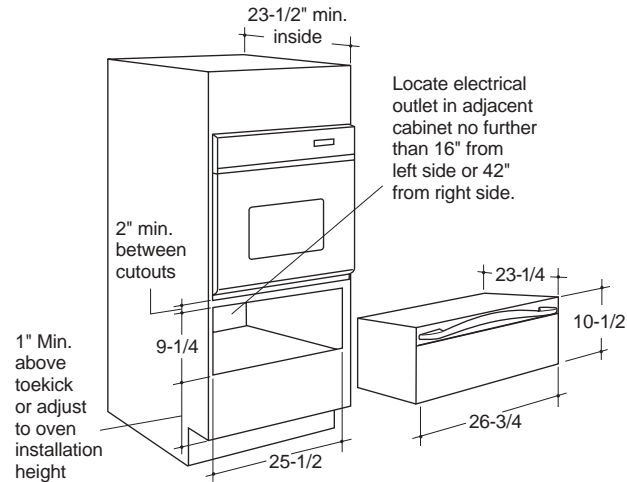
Profile™

## JKD915BF/CF/SF/WF – GE Profile™ 27" Warming Drawer

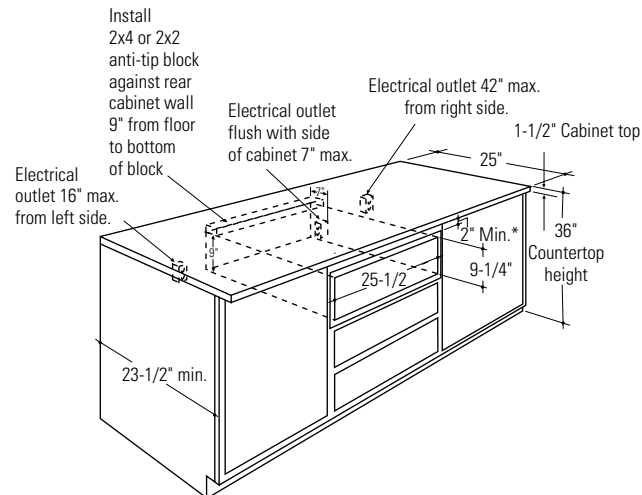
### Warming Drawer Dimensions (in inches)



### Under Oven Installation (in inches)



### Undercounter Installation (in inches)



### Optional Accessories:

**JXPN2**–Optional Pan Set Accessory for Warming Drawer.  
Two commercial pans with lids (4" deep)

**ZXD30B**–1/4" panel kit capability

### Installation Information:

Before installing, consult installation instructions packed with product for current dimensional data.

KW Rating	
120V	.45
Breaker Size	
120V	15 Amps



For answers to your Monogram®, GE Profile™ or GE® appliance questions, visit our website at [GEAppliances.com](http://GEAppliances.com) or call GE Answer Center® service, 800.626.2000.

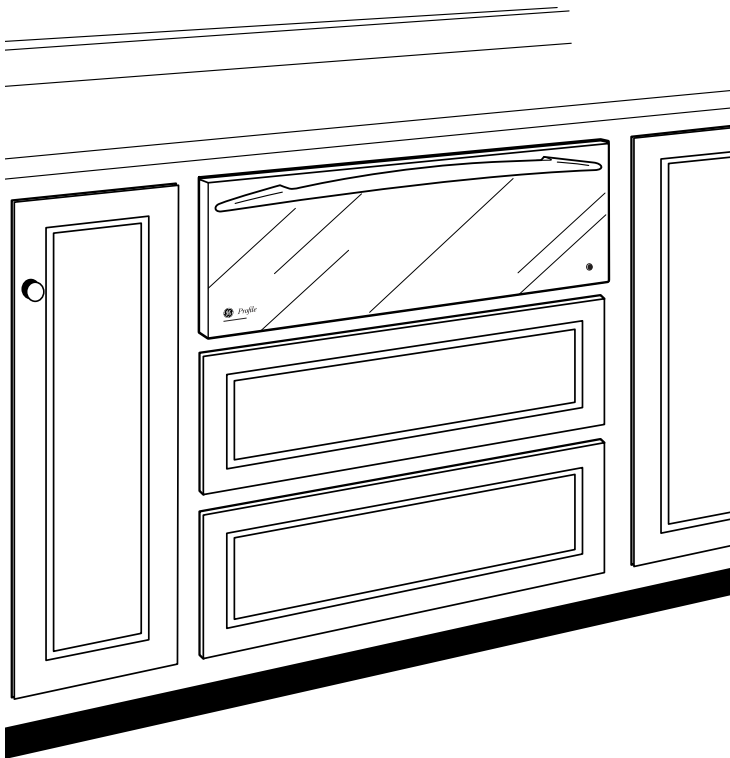
Specification Revised 12/03

221122



*Profile™*

## JKD915BF/CF/SF/WF – GE Profile™ 27" Warming Drawer



### Features and Benefits

- 1.67 cu. ft Capacity
- Variable Temperature Control – Proof (80)/Low (140)/Med (170)/High (210)
- Variable Humidity Control – Crisp to Moist
- “On” Signal Light
- Half Rack
- On/Off Rocker Switch
- Full Extension Ball Bearing Glides
- Removable Stainless Steel Pan
- Hidden Controls Provide Flush Installation Appearance
- Variable Installation Options
- Model JKD915WFWW – White on white
- Model JKD915BFBB – Black on black
- Model JKD915CFCC – Bisque on bisque
- Model JKD915SFSS – Stainless steel