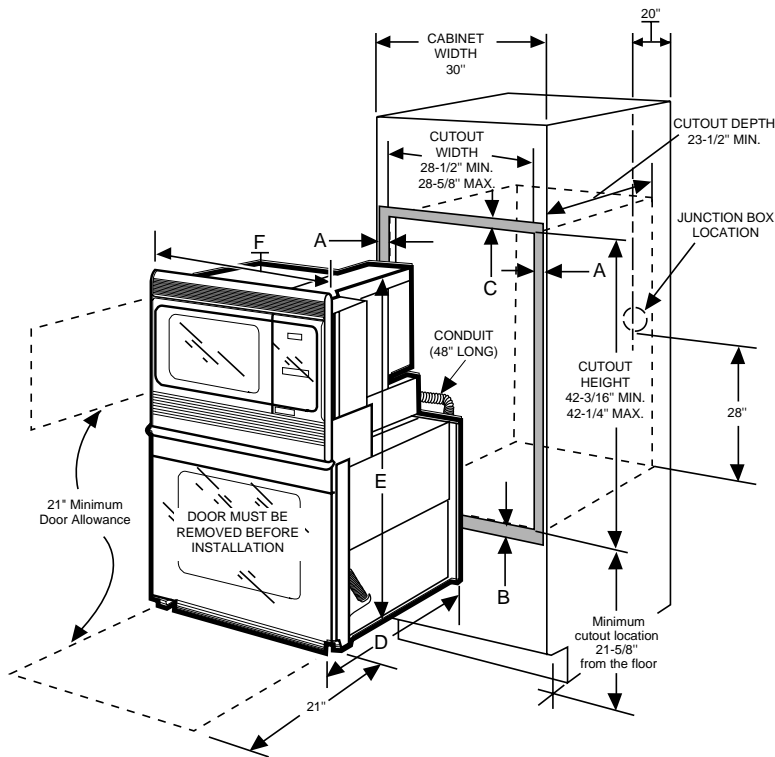




Profile™

JT965BF/CF/SF/WF – GE Profile™ 30" Built-In Double Microwave/Convection Oven

Cabinet Installation Dimensions (in inches)

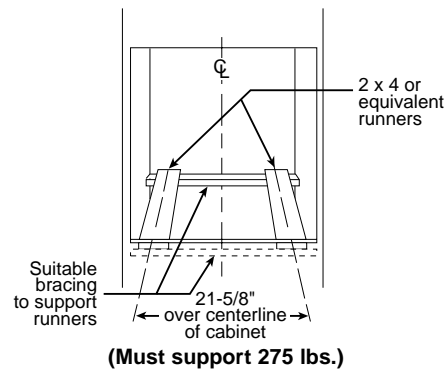


MOST 30" WALL CABINETS CAN BE USED WITH THIS UNIT
THE OPENING BETWEEN THE INSIDE WALLS MUST BE AT LEAST 28-1/2" WIDE

Note: Cabinets installed adjacent to wall ovens must have an adhesion spec of at least 194° temperature rating.

Electric wall ovens are not approved for installation with a plug and receptacle. They must be hard wired in accordance with installation instructions.

Specification Created 7/02



KW Rating	
240V	6.6
208V	5.3
Breaker Size	
240V	30 Amps
208V	30 Amps

Cabinet	30"
A – Overlap of Oven Over Side Edges of Cutout	11/16"
B – Overlap of Oven at Bottom of Cutout	1"
C – Overlap of Oven at Top of Cutout	1/2"
Oven	
D – Overall Depth	23-1/2"
E – Overall Height	43-1/2"
F – Overall Width	29-3/4"

Note: Cabinets installed adjacent to wall ovens must have an adhesion spec of at least a 194°F temperature rating.

Installation Information: Before installing, consult installation instructions packed with product for current dimensional data.

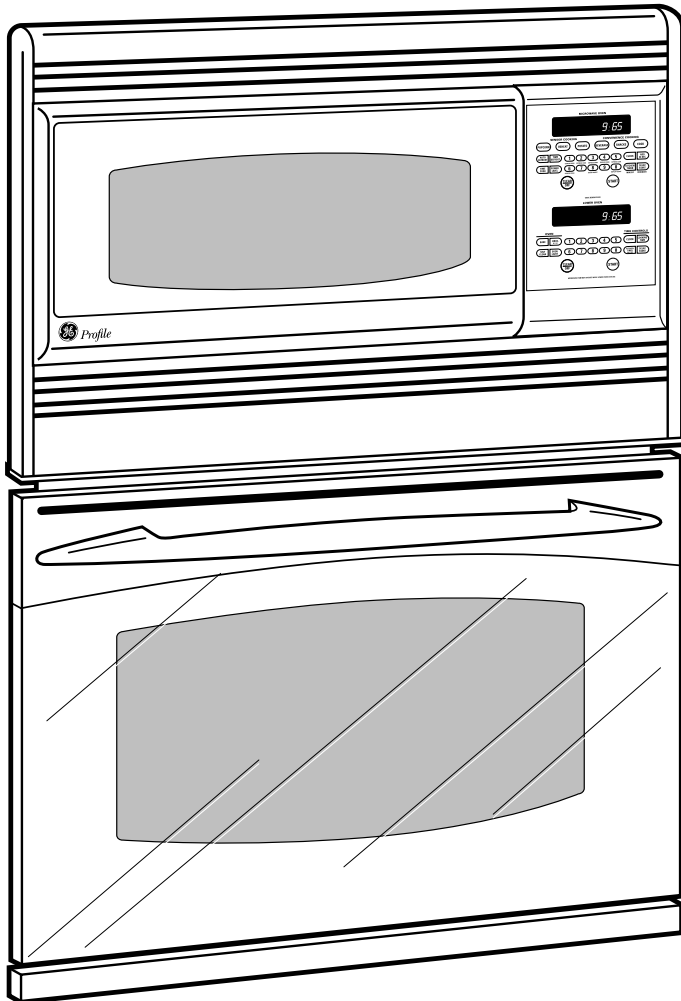
For answers to your Monogram®, GE Profile™ or GE appliance questions, visit our website at GEAppliances.com or call GE Answer Center® service, 800.626.2000.





Profile™

JT965BF/CF/SF/WF – GE Profile™ 30" Built-In Double Microwave/Convection Oven



Features and Benefits

- Upper Oven – 1.6 cu. ft. Capacity Microwave/1000 Watts with Turntable
- Sensor and Convenience Cooking Controls
- Electronic Touch Controls with Kitchen Timer
- Lower Oven – Extra-Large Capacity Self-Cleaning Oven with True European Convection and Delay Clean Option
- Convection Bake and Convection Roast
- TrueTemp™ System
- SmartSet Electronic Oven Controls with Digipad
- 2 Oven Racks with 6 Embossed Positions
- Model JT965WFWW – White on white
- Model JT965BFBB – Black on black
- Model JT965CFCC – Bisque on bisque
- Model JT965SFSS – Stainless steel