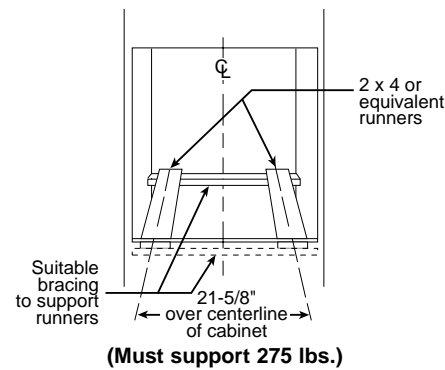
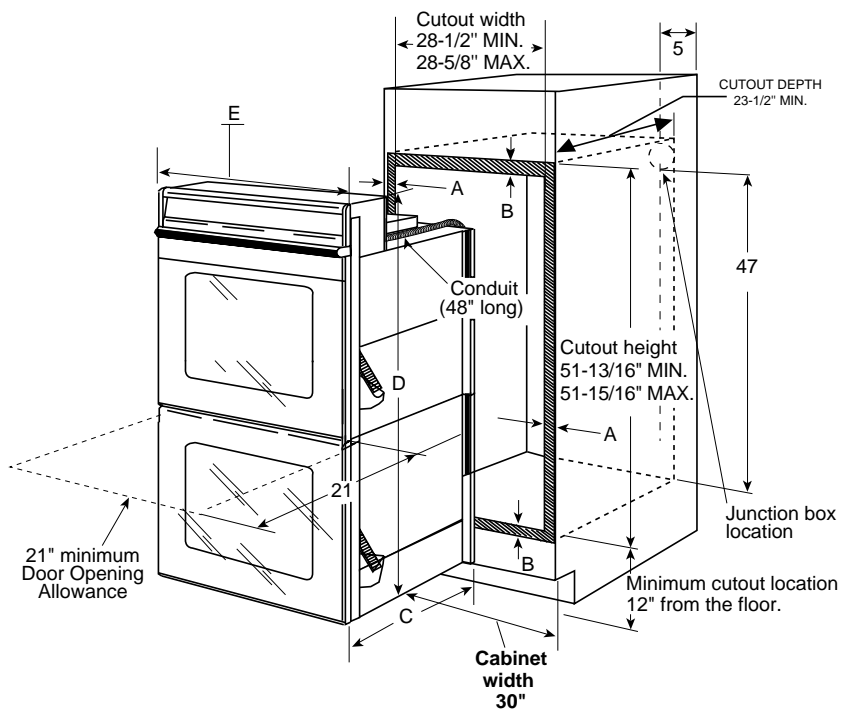




Profile™

## JT952BF/CF/SF/WF – GE Profile™ 30" Built-In Double Oven

Dimensions (in inches)



KW Rating	
240V	7.2
208V	5.4
Breaker Size	
240V	40 Amps
208V	30 Amps

Cabinet	30"
A – Overlap of Oven Over Side Edges of Cutout	11/16" – 3/4"
B – Overlap of Oven at Top and Bottom of Cutout	1"
Oven	
C – Overall Depth	23-1/2"
D – Overall Height	52-7/8"
E – Overall Width	29-3/4"

**Note:** Cabinets installed adjacent to wall ovens must have an adhesion spec of at least a 194°F temperature rating.

**Installation Information:** Before installing, consult installation instructions packed with product for current dimensional data.

MOST 30" WALL CABINETS CAN BE USED WITH THIS UNIT  
THE OPENING BETWEEN THE INSIDE WALLS MUST BE AT LEAST 28-1/2" WIDE

Electric wall ovens are not approved for installation with a plug and receptacle.  
They must be hard wired in accordance with installation instructions.

Specification Created 7/02

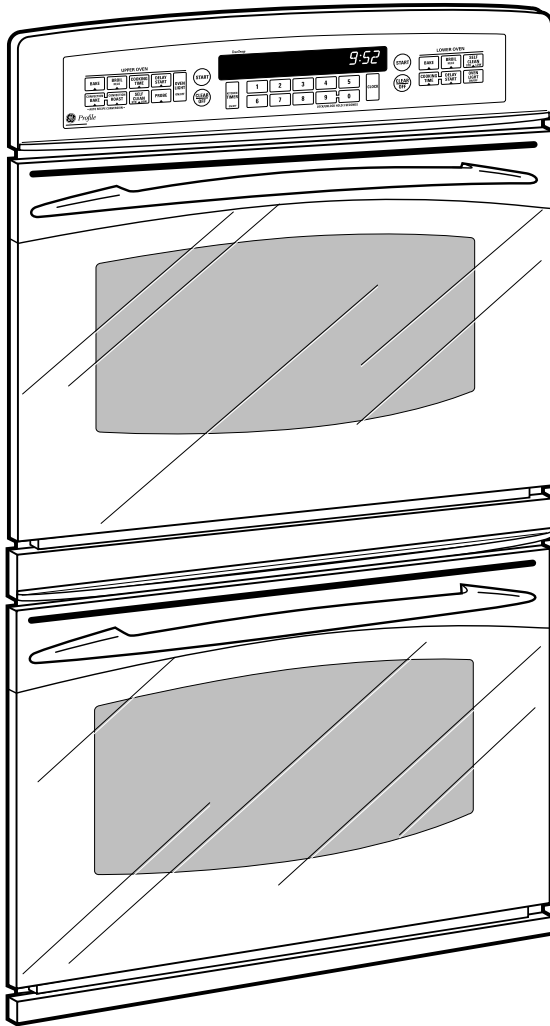
For answers to your Monogram®, GE Profile™ or GE appliance questions, visit our website at [GEAppliances.com](http://GEAppliances.com) or call GE Answer Center® service, 800.626.2000.





*Profile™*

## JT952BF/CF/SF/WF – GE Profile™ 30" Built-In Double Oven



### Features and Benefits

- Upper Oven – Convection Bake and Convection Roast with Auto Recipe™ Conversion
- Precise Air™ Convection System
- Extra-Large 4.1 cu. ft. Capacity Self-Cleaning Convection Oven with Delay Clean Option
- 3 Heavy Duty Oven Racks with 7 Embossed Positions (Upper Oven)
- TrueTemp™ System
- Lower Oven – Extra-Large 4.4 cu. ft. Capacity Self-Cleaning Thermal Oven with Delay Clean Option
- 2 Heavy Duty Oven Racks with 6 Embossed Positions (Lower Oven)
- SmartSet Electronic Oven Controls with Digipad; Certified Sabbath Mode
- True Frameless Glass Oven Doors with Big ClearView™ Windows, CleanDesign Oven Interior
- Convection Cookbook Included
- Model JT952WFWW – White on white
- Model JT952BFBB – Black on black
- Model JT952CFCC – Bisque on bisque
- Model JT952SFSS – Stainless steel