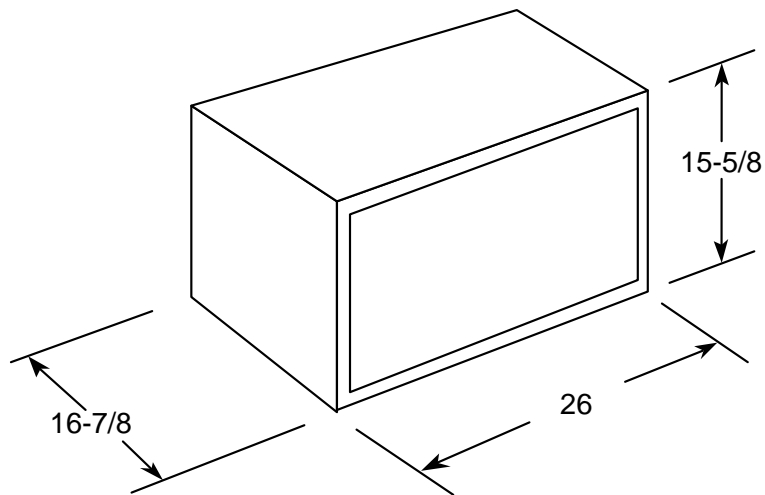




GE Appliances

AJES06LSA—GE 115 Volt "J Series" Window/Wall Mount Heat and Cool Unit with Mechanical Controls

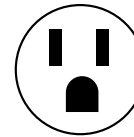
Wall Case Dimensions (in inches)



Note: When installing slide-out chassis units in through-the-wall applications, keep louvers free. Do not restrict air flow areas.

Note: This unit is **not** intended to be the primary source of heat.

Parallel



115V
15 Amp

Specification Created 5/01



Total capacity and E.E.R. ratings are calculated based on the Association of Home Appliance Manufacturers' standards.

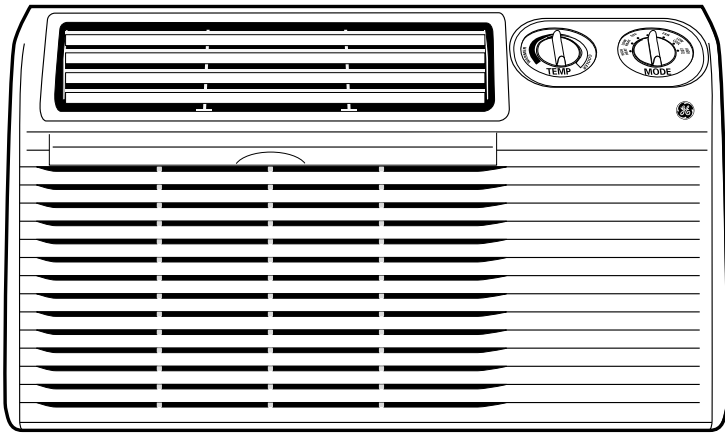


Listed by
Underwriters
Laboratories



GE Appliances

AJES06LSA—GE 115 Volt "J Series" Window/Wall Mount Heat and Cool Unit with Mechanical Controls



Features and Benefits

- 8,000 BTUH (Cooling), 4,100 BTUH (Electric Heat), 115 Volts
- 9.5 E.E.R.
- Mechanical Controls with Variable Setting Thermostat
- 2 Cooling/2 Heating Fan Speeds (2 Fan Positions)
- Fan Cycle Switch
- Slide-Out Chassis
- 1.4 Dehumidification (pints/hr)
- 210 CFM
- Hidden Controls Provide Clean, Contemporary Appearance
- 630 Cooling Watts/5.7 Cooling Amps
- Slide-Out Filter
- Exhaust for Air Exchange
- Plug Type—Parallel
- Standard Window Mounting
- Rotary Compressor
- Model AJES06LSA