

# Dishwashers

**Sleek, flush European styling with a design for everyone.**



Bosch designers believe that form must always be balanced with function. Whether it's a new way to load your silverware and bulky items, or a seamless look with cabinets through our ultra-flush installation, our commitment to purposeful design is clear.



Our German-engineered dishwashers incorporate 18 unique sound reducing technologies, making Bosch the quietest dishwasher brand in the U.S.\* with every quiet level certified by an independent lab. With our innovative third rack, your cutlery, whisks, tongs, and other odd utensils have a place all their own, allowing for 30% more loading area.\*\*

\*Based on an average of sound ratings of 24" Full Size Stainless Steel Tub dishwashers contained in major brands' websites. Major brands defined as TraQline Top 5 Market Share June 2016. \*\*Compared to a Bosch dishwasher with two racks.

# Benchmark® Dishwashers

A place for everything,  
and everything in its well-designed place.



### Quietest Brand

The number one feature homeowners look for in a dishwasher is quietness, and our ingenious German engineering makes Bosch the quietest dishwasher brand in the U.S.\* In fact, our dishwashers are so quiet, we've added an InfoLight® or TimeLight® to let you know a cycle is running.



### Three Racks of Flexible Loading Space

Expandable wings on our flexible third rack provide extra room for ramekins, measuring cups and extra-large utensils. Adjustable tines lower to fit awkward, bulky items while our third rack's unique v-shape accommodates the loading of extra tall stemware in the middle rack.



### Flush and Easy Installation

Our full size tub can be installed perfectly flush to cabinetry. And, new Bosch dishwashers come with a pre-connected heavy-duty braided water inlet hose, as well as a power cord with attached junction box for easy installation.



### A World Leader

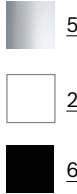
Bosch is the No. 1 dishwasher brand worldwide.\*\*



\*Based on an average of sound ratings of 24" Full Size Stainless Steel Tub dishwashers contained in major brands' websites. Major brands defined as TraQline Top 5 Market Share June 2016. \*\*Source: Euromonitor, volume sales, 2015



# Benchmark® Dishwashers



## Benchmark® \*SHE7PT5\_UC SHP7PT55UC SHX7PT55UC SHV7PT53UC

- 42 dBA
- Flexible Third Rack
- Water Softener
- TimeLight®



## Benchmark® SHE8PT55UC SHX8PT55UC SHV8PT53UC

- + 40 dBA
- + Interior Light
- + SteelTouch Control

+ Indicates a step-up feature

\* Multiple colors available. See color chips to fill in missing digit.

Recessed Handle – SHE7PT5\_UC  
Pocket Handle – SHP7PT55UC  
Bar Handle – SHX7PT55UC  
Custom Panel – SHV7PT53UC

Recessed Handle – SHE8PT55UC  
Bar Handle – SHX8PT55UC  
Custom Panel – SHV8PT53UC

General Properties		
Number of wash cycles / options	6 / 5	6 / 5
dBA	42	40
Third Rack	Flexible	Flexible
Rack Adjustability	RackMatic®	RackMatic®
Tub material	Stainless steel	Stainless steel
Control Type	Touch Control	SteelTouch Control
Concealed heating element	Yes	Yes
Leak protection system	24/7 AquaStop®	24/7 AquaStop®
Water softener	Yes	Yes
Five-level wash	Yes	Yes
ChildLock	Recessed Handle model only	No
TFT display	No	Recessed Handle model only
InfoLight®	No	Bar Handle and Custom Panel models only
TimeLight®	Pocket Handle, Bar Handle and Custom Panel models only	No
Special Features	DoubleFlex Silverware Basket, SpeedPerfect®	Interior Light, DoubleFlex Silverware Basket, SpeedPerfect®
Efficiency and Capacity		
Water usage per cycle	2.9	2.9
Energy efficiency class	Tier 1	Tier 1
ENERGY STAR® qualified	Yes	Yes
Total annual energy / water consumption	259 kWh / 624 g	259 kWh / 624 g
Number of place settings	16	16
Technical Data		
Watts (W)	1300 W	1300 W
Current (A) / Volts (V) / Frequency (Hz)	12 A / 120 V / 60 Hz	12 A / 120 V / 60 Hz
Power cord length	43 1/2"	43 1/2"
Minimum water pressure (lb / sin)	14	14
Length inlet / outlet hose (in)	53" / 67"	53" / 67"
Dimensions & Weight		
Overall appliance dimensions (HxWxD) (in)	33 7/8" x 23 9/16" x 23 3/4"	33 7/8" x 23 9/16" x 23 7/8"
Required cutout size (HxWxD) (in)	33 7/8" x 23 5/8" x 24"	33 7/8" x 23 5/8" x 24"
Adjustable feet	Yes	Yes
Net weight (lbs)	95 / 95 / 95 / 92 lbs	109 / 110 / 92 lbs

### Optional Accessories

SGZ9092UC  
Softener Salt (4.4 lbs)

SGZ1010UC  
Drain Hose  
Extension 76 3/4"

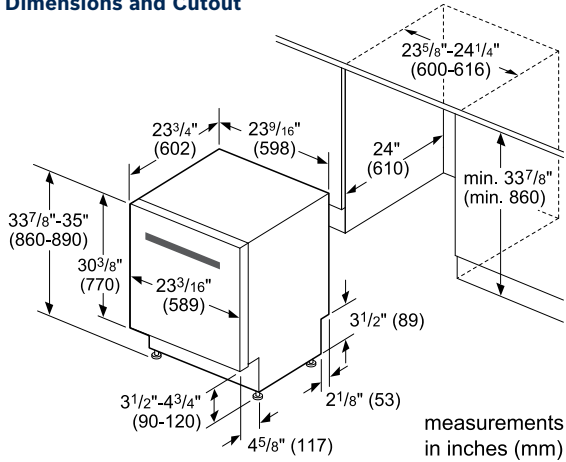
SMZ5000  
Accessory Kit

SMZ5002UC  
Anti-Tarnish  
Silverware Cassette

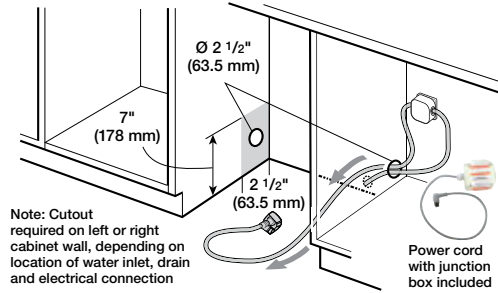
SMZPC002UC  
3-Prong Power Cord  
66 7/8"

# Benchmark® Dishwashers

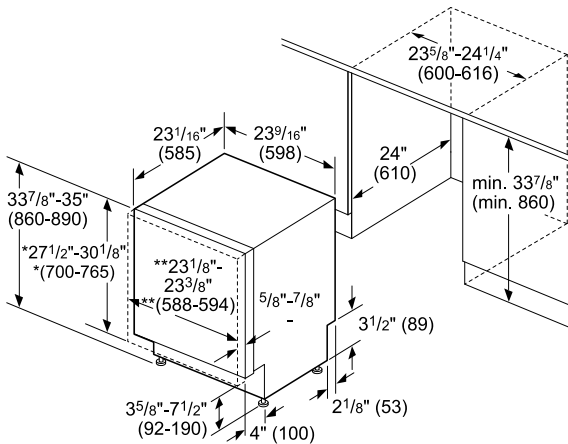
## Dimensions and Cutout



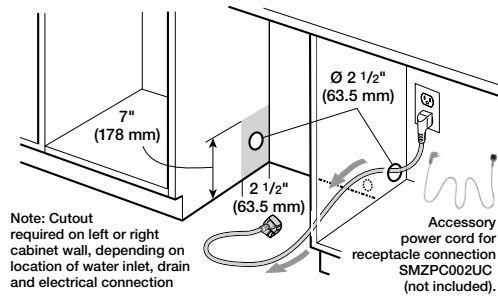
## Example of Hardwire Installation



## Custom Panel – Dimensions and Cutout



## Example of Electrical Receptacle Installation



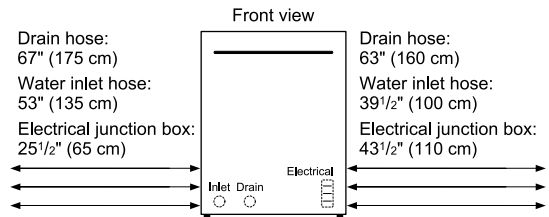
\* measured from the bottom edge of the countertop panel thickness recommended 3/4" (20 mm).

This dishwasher can accept custom door panel weights ranging from 7 to 24 lbs; however, the dishwasher comes from the factory ready for custom panel door weights from 11 to 18 lbs. If you plan on using a door panel that is not 11 to 18 lbs. please contact customer service at (800) 944-2904.

\*\* 24" (610 mm) wide panel may be used depending on cabinet design

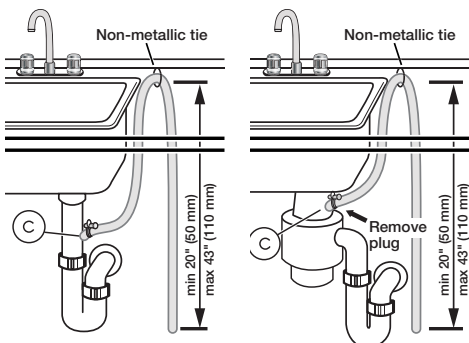
Note: Refer to installation template for mounting hardware locations measurements in inches (mm)

## Water and Electrical Locations



All connections are at the rear of the appliance. Extension for drain hose available as accessory. Power cord for connection to electrical outlet (3-prong plug) available as accessory.

## Plumbing

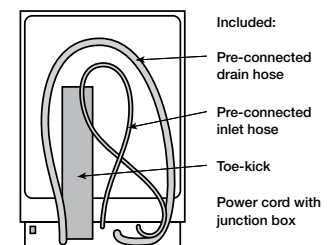


Note: Plumbing installations will vary - refer to local codes. Drain hose included is 79 (201 cm) and can be extended to a maximum of 155 3/4" (396 cm).

Always use the approved drain hose extension kit (SGZ1010UC).

Ensure a portion of the drain hose is raised between min. 20" (50 cm) and max. 43" (110 cm) above the cabinet floor.

## Included Parts & Accessories



# Benchmark® Dishwashers



## Benchmark® SHE9PT55UC SHX9PT55UC SHV9PT53UC

- + 39 dBA
- + 239 kWh / Year
- + Alternating Tines
- + 24/7 AquaStop® Plus
- Pairs well with European size cabinetry



## Benchmark® SHX9PT75UC

- + 38 dBA
- Pairs well with European size cabinetry

+ Indicates a step-up feature

Recessed Handle – SHE9PT55UC  
Bar Handle – SHX9PT55UC  
Custom Panel – SHV9PT53UC

Bar Handle – SHX9PT75UC

General Properties		
Number of wash cycles / options	6 / 5	6 / 5
dBA	39	38
Third Rack	Flexible	Flexible
Rack Adjustability	RackMatic®	RackMatic®
Tub material	Stainless steel	Stainless steel
Control Type	SteelTouch Control	SteelTouch Control
Concealed heating element	Yes	Yes
Leak protection system	24/7 AquaStop® Plus	24/7 AquaStop® Plus
Water softener	Yes	Yes
Five-level wash	Yes	Yes
ChildLock	Recessed Handle model only	No
TFT display	Recessed Handle model only	No
InfoLight®	Bar Handle and Custom Panel models only	Yes
Special Features	Made in Germany, Interior Light, Alternating Folding Tines, Flexible Silverware Basket, SpeedPerfect®	Made in Germany, Interior Light, Alternating Folding Tines, Flexible Silverware Basket, SpeedPerfect®
Efficiency and Capacity		
Water usage per cycle	2.2	2.2
Energy efficiency class	Tier 1	Tier 1
ENERGY STAR® qualified	Yes	Yes
Total annual energy / water consumption	239 kWh / 624 g	239 kWh / 624 g
Number of place settings	15	15
Technical Data		
Watts (W)	1300 W	1300 W
Current (A) / Volts (V) / Frequency (Hz)	12 A / 120 V / 60 Hz	12 A / 120 V / 60 Hz
Power cord length	63"	63"
Minimum water pressure (lb / sin)	7	7
Length inlet / outlet hose (in)	55" / 63"	55" / 63"
Dimensions & Weight		
Overall appliance dimensions (HxWxD) (in)	34 1/8" x 23 9/16" x 22 7/16"	34 1/8" x 23 9/16" x 22 7/16"
Required cutout size (HxWxD) (in)	34 1/8" x 24" x 24"	34 1/8" x 24" x 24"
Net weight (lbs)	118 / 121 / 113 lbs	120 lbs

### Optional Accessories

SGZ9092UC  
Softener Salt (4.4 lbs)

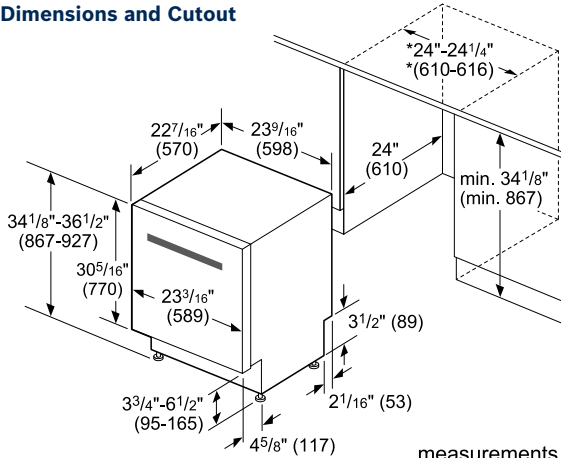
SGZ1010UC  
Drain Hose Extension 76 3/4"

SMZ5000  
Accessory Kit

SMZ5002UC  
Anti-Tarnish  
Silverware Cassette

# Benchmark® Dishwashers

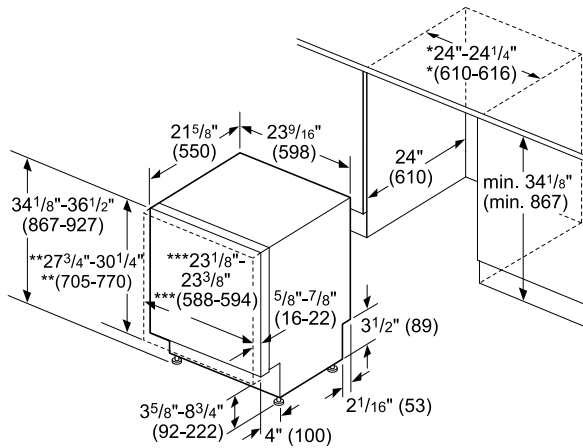
## Dimensions and Cutout



\*23 5/8" (600) without decor strips

measurements in inches (mm)

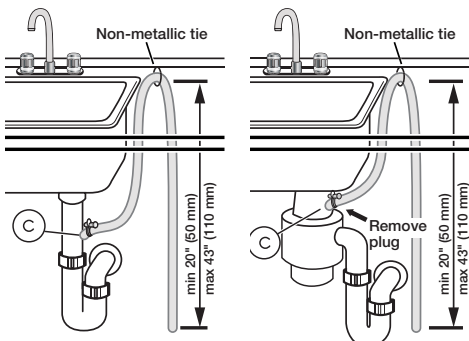
## Custom Panel – Dimensions and Cutout



\* 23 5/8" (600 mm) without decor strips  
 \*\* measured from the bottom edge of the countertop panel thickness recommended 3/4" (20 mm).  
 This dishwasher can accept custom door panel weights ranging from 7 to 24 lbs; however, the dishwasher comes from the factory ready for custom panel door weights from 11 to 18 lbs.  
 If you plan on using a door panel that is not 11 to 18 lbs. please contact customer service at (800) 944-2904.

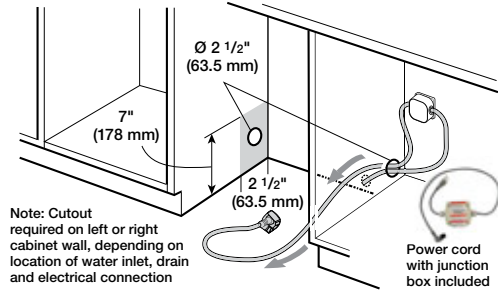
\*\*\* 24" (610 mm) wide panel may be used depending on cabinet design  
 Note: Refer to installation template for mounting hardware locations  
 measurements in inches (mm)

## Plumbing

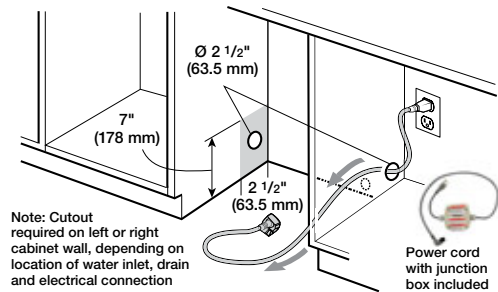


Note: Plumbing installations will vary - refer to local codes. Drain hose included is 88 5/8" (225 cm) and can be extended to a maximum of 165 3/8" (420 cm). Always use the approved drain hose extension kit (SGZ1010UC). Ensure a portion of the drain hose is raised between min. 20" (50 cm) and max. 43" (110 mm) above the cabinet floor.

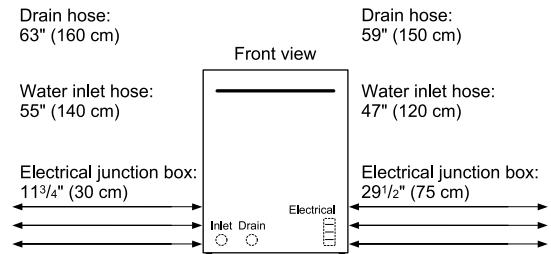
## Example of Hardwire Installation



## Example of Electrical Receptacle Installation

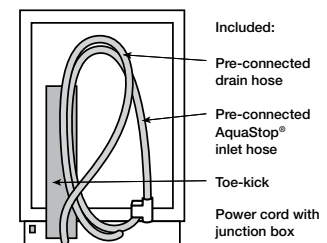


## Water and Electrical Locations



All connections are at the rear of the appliance. Extension for drain hose available as accessory. Power cord for connection to electrical outlet (3-prong plug) available as accessory.

## Included Parts & Accessories





# Ascenta® Dishwashers



- Ascenta®**
- 50 dBA
  - \***SHE3AR7\_UC**
  - \***SHX3AR7\_UC**
  - 6 Cycles / 2 Options
  - Racks with Manual Height Adjustment



- Ascenta®**
- + 46 dBA
  - \***SHS5AV5\_UC**
  - \***SHX5AV5\_UC**
  - + RackMatic® Height Adjustable System
  - + InfoLight®



- Ascenta® DLX**
- + 5 Cycles / 5 Options
  - \***SHS5AVL\_UC**
  - SHX5AVL5UC**
  - + ExtraScrub option

+ Indicates a step-up feature

\* Multiple colors available. See color chips to fill in missing digit.

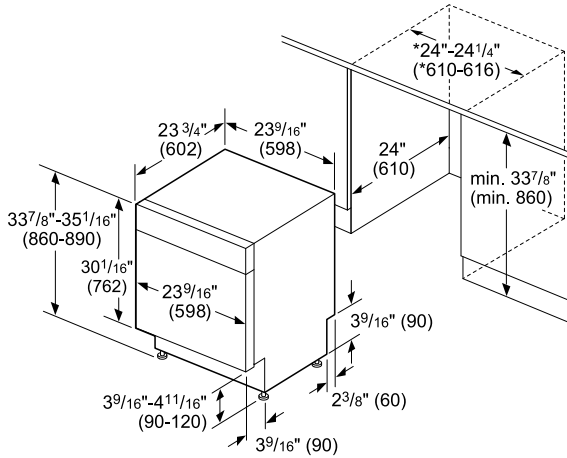
Ascenta®	Ascenta®	Ascenta® DLX
Recessed Handle – SHE3AR7_UC Bar Handle – SHX3AR7_UC	Scoop Handle – SHS5AV5_UC Bar Handle – SHX5AV5_UC	Scoop Handle – SHS5AVL_UC Bar Handle – SHX5AVL5UC

General Properties			
Number of wash cycles / options	6 / 2	Scoop Handle: 6 / 2 Bar Handle: 5 / 4	5 / 5
dBA	50	46	46
Third rack	No	No	No
Rack adjustability	Manual	RackMatic®	RackMatic®
Tub material	Stainless steel / polypropylene	Stainless steel / polypropylene	Stainless steel / polypropylene
Control type	Buttons	Buttons	Buttons
Concealed heating element	Yes	Yes	Yes
Leak protection system	24/7 Overflow Protection	24/7 Overflow Protection	24/7 Overflow Protection
Water softener	No	No	No
Five-level wash	Yes	Yes	Yes
ChildLock	Recessed Handle model only	No	No
TFT Display	No	No	No
InfoLight®	No	Yes	Yes
Special features	Sanitize	InfoLight®	ExtraScrub option
Efficiency and Capacity			
Water usage per cycle	3.2	3.2	3.2
Energy efficiency class	Tier 1	Tier 1	Tier 1
ENERGY STAR® qualified	Yes	Yes	Yes
Total annual energy / water consumption	269 kWh / 688 g	269 kWh / 688 g	269 kWh / 688 g
Number of place settings	14	14	14
Technical Data			
Watts (W)	1400 W	1300 W	1300 W
Current (A) / Volts (V) / Frequency (Hz)	12 A / 120 V / 60 Hz	12 A / 120 V / 60 Hz	12 A / 120 V / 60 Hz
Power cord length	N/A	N/A	N/A
Minimum water pressure (lb / sin)	15	15	15
Length inlet / outlet hose (in)	N/A / 90 1/2"	N/A / 90 1/2"	N/A / 90 1/2"
Dimensions & Weight			
Overall appliance dimensions (HxWxD) (in)	33 7/8" x 23 9/16" x 23 3/4"	33 7/8" x 23 9/16" x 23 3/4"	33 7/8" x 23 9/16" x 23 3/4"
Required cutout size (HxWxD) (in)	33 7/8" x 24" x 24"	33 7/8" x 25 5/8" x 24"	33 7/8" x 25 5/8" x 24"
Adjustable feet	Yes	Yes	Yes
Net weight (lbs)	69 / 71 lbs	68 / 69 lbs	68 / 69 lbs

Optional Accessories				
SGZ1010UC Drain Hose Extension 76 3/4"	SGZPC001UC 3-Prong Power Cord 55 1/4"	SGZ1052UC Accessory Kit	SMZ4000UC DoubleFlex Silverware Basket	SMZ5002UC Anti-Tarnish Silverware Cassette

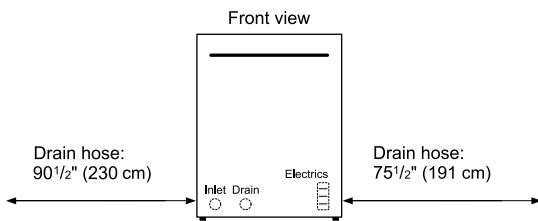
# Ascenta® Dishwashers

## Dimensions and Cutout



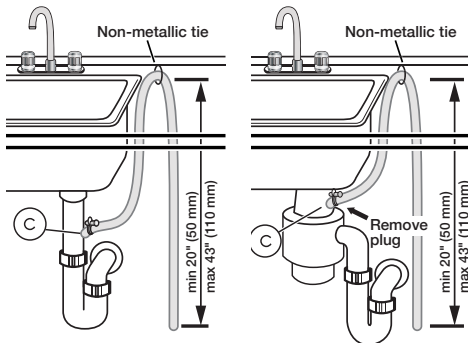
\*23<sup>5</sup>/<sub>8</sub>" (600) without decor strips

## Water and Electrical Locations



The electrical junction box and water inlet are at the front of the appliance, the drain at the rear.

## Plumbing

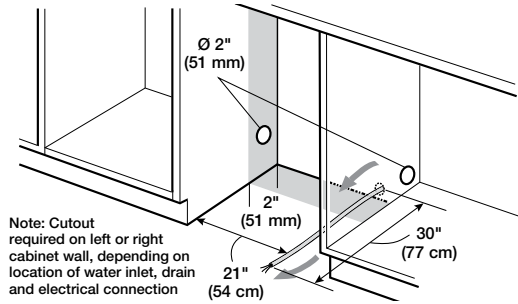


Note: Plumbing installations will vary - refer to local codes. Drain hose included is 90 1/2" (230 cm) and can be extended to a maximum of 168 1/2" (428 cm).

Always use the approved drain hose extension kit (SGZ1010UC).

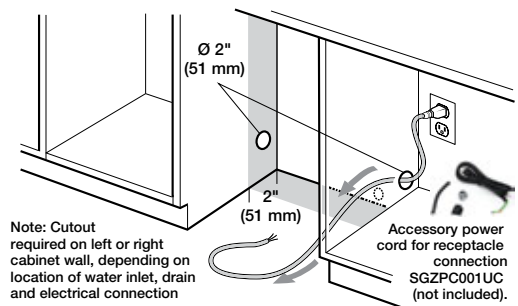
Ensure a portion of the drain hose is raised between min. 20" (50 cm) and max. 43" (110 cm) above the cabinet floor.

## Example of Hardwire Installation



Note: Cutout required on left or right cabinet wall, depending on location of water inlet, drain and electrical connection

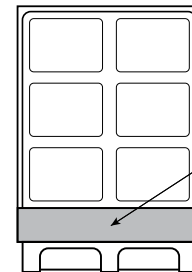
## Example of Electrical Receptacle Installation



Note: Cutout required on left or right cabinet wall, depending on location of water inlet, drain and electrical connection

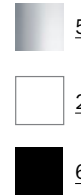
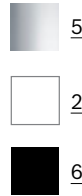
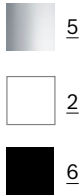
Accessory power cord for receptacle connection SGZPC001UC (not included).

## Included Parts & Accessories



- Included:
- Drain hose
- Toe-kick

# 300 Series Dishwashers



**300 Series** + 4 Cycles / 4 Options  
**\*SHE53T5\_UC** + 46 dBA  
**SHP53T55UC** + 24/7 AquaStop®  
**SHX53T55UC**  
**SHV53T53UC**

**300 Series DLX** + RackMatic® Height Adjustable System  
**\*SHE53TL\_UC**  
**SHP53TL5UC** + SpeedPerfect®  
**SHX53TL5UC** + 4 Cycles / 5 Options  
**SHV53TL3UC**

**300 Series DLX** + 44 dBA  
**\*SHS63VL\_UC** + 24h Delay Start Timer

+ Indicates a step-up feature

\* Multiple colors available. See color chips to fill in missing digit.

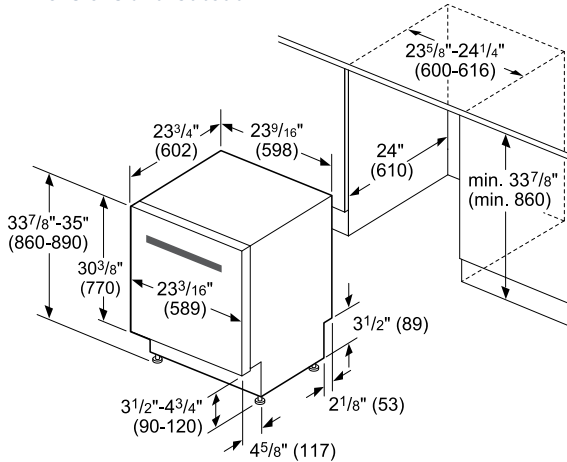
300 Series	300 Series DLX	300 Series DLX
Recessed Handle – SHE53T5_UC Pocket Handle – SHP53T55UC Bar Handle – SHX53T55UC Custom Panel – SHV53T53UC	Recessed Handle – SHE53TL_UC Pocket Handle – SHP53TL5UC Bar Handle – SHX53TL5UC Custom Panel – SHV53TL3UC	Scoop Handle – SHS63VL_UC

General Properties			
Number of wash cycles / options	4 / 4	4 / 5	4 / 5
dBA	46	46	44
Rack adjustability	Manual	RackMatic®	RackMatic®
Tub material	Stainless steel	Stainless steel	Stainless steel
Control type	Buttons	Buttons	Buttons
Concealed heating element	Yes	Yes	Yes
Leak protection system	24/7 AquaStop®	24/7 AquaStop®	24/7 AquaStop®
Five-level wash	Yes	Yes	Yes
ChildLock	Recessed Handle model only	Recessed Handle model only	No
InfoLight®	Pocket Handle, Bar Handle and Custom Panel models only	Pocket Handle, Bar Handle and Custom Panel models only	Yes
Special Features	ExtraShine	SpeedPerfect®	24h Delay Start Timer
Efficiency and Capacity			
Water usage per cycle	2.9	2.9	2.9
Energy efficiency class	Tier 1	Tier 1	Tier 1
ENERGY STAR® qualified	Yes	Yes	Yes
Total annual energy / water consumption	259 kWh / 624 g	259 kWh / 624 g	259 kWh / 624 g
Number of place settings	15	15	15
Technical Data			
Watts (W)	1300 W	1300 W	1300 W
Current (A) / Volts (V) / Frequency (Hz)	12 A / 120 V / 60 Hz	12 A / 120 V / 60 Hz	12 A / 120 V / 60 Hz
Power cord length	43 1/2"	43 1/2"	43 1/2"
Minimum water pressure (lb / sin)	14	14	14
Length inlet / outlet hose (in)	53" / 67"	53" / 67"	53" / 67"
Dimensions & Weight			
Overall appliance dimensions (HxWxD) (in)	33 7/8" x 23 9/16" x 23 3/4"	33 7/8" x 23 9/16" x 23 3/4"	33 7/8" x 23 9/16" x 23 3/4"
Required cutout size (HxWxD) (in)	33 7/8" x 23 5/8" x 24"	33 7/8" x 23 5/8" x 24"	33 7/8" x 23 5/8" x 24"
Adjustable feet	Yes	Yes	Yes
Net weight (lbs)	84 / 84 / 84 / 83 lbs	84 / 84 / 84 / 83 lbs	85 lbs

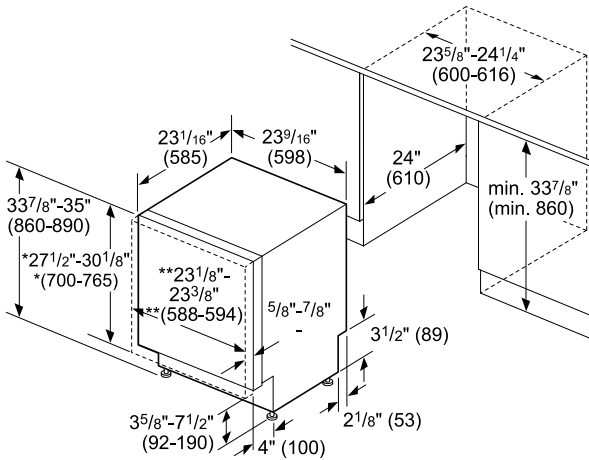
Optional Accessories				
SGZ1010UC Drain Hose Extension 76 3/4"	SMZPC002UC 3-Prong Power Cord 66 7/8"	SMZ5000 Accessory Kit	SMZ4000UC DoubleFlex Silverware Basket	SMZ5002UC Anti-Tarnish Silverware Cassette

# 300 Series Dishwashers

## Dimensions and Cutout



## Custom Panel – Dimensions and Cutout



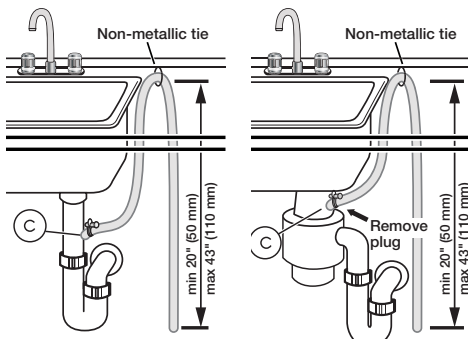
\* measured from the bottom edge of the countertop panel thickness recommended 3/4" (20 mm).

This dishwasher can accept custom door panel weights ranging from 7 to 24 lbs; however, the dishwasher comes from the factory ready for custom panel door weights from 11 to 18 lbs. If you plan on using a door panel that is not 11 to 18 lbs, please contact customer service at (800) 944-2904.

\*\* 24" (610 mm) wide panel may be used depending on cabinet design

Note: Refer to installation template for mounting hardware locations measurements in inches (mm)

## Plumbing

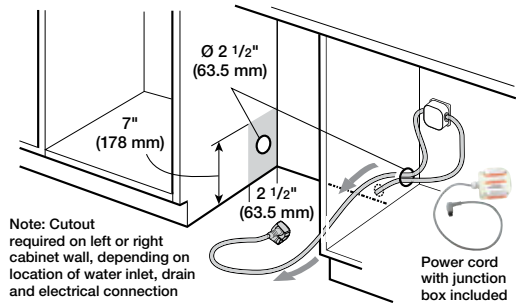


Note: Plumbing installations will vary - refer to local codes. Drain hose included is 79 (201 cm) and can be extended to a maximum of 155 3/4" (396 cm).

Always use the approved drain hose extension kit (SGZ1010UC).

Ensure a portion of the drain hose is raised between min. 20" (50 cm) and max. 43" (110 cm) above the cabinet floor.

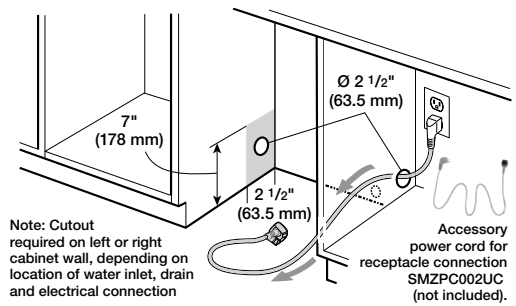
## Example of Hardwire Installation



Note: Cutout required on left or right cabinet wall, depending on location of water inlet, drain and electrical connection

Power cord with junction box included

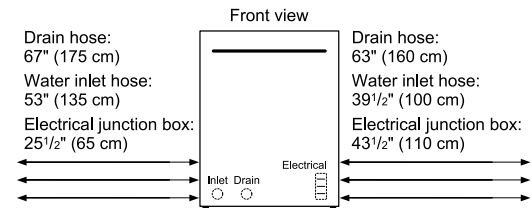
## Example of Electrical Receptacle Installation



Note: Cutout required on left or right cabinet wall, depending on location of water inlet, drain and electrical connection

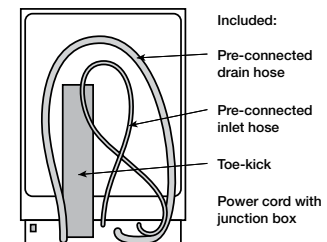
Accessory power cord for receptacle connection SMZPC002UC (not included).

## Water and Electrical Locations



All connections are at the rear of the appliance. Extension for drain hose available as accessory. Power cord for connection to electrical outlet (3-prong plug) available as accessory.

## Included Parts & Accessories



# 500 Series Dishwashers



- 500 Series**  
**\*SHE65T5\_UC**  
**\*SHP65T5\_UC**  
**SHX65T55UC**
- + 44 dBA
  - + 5 Cycles / 5 Options
  - + RackMatic® Height Adjustable System
  - + Third Rack – 16 Place Settings



- 500 Series DLX**  
**\*SHP65TL\_UC**
- + DoubleFlex Silverware Basket
  - + SpeedPerfect®

+ Indicates a step-up feature

\* Multiple colors available. See color chips to fill in missing digit.

500 Series	500 Series DLX
Recessed Handle – SHE65T5_UC Pocket Handle – SHP65T5_UC Bar Handle – SHX65T55UC	Pocket Handle – SHP65TL_UC

## General Properties

Number of wash cycles / options	5 / 5	5 / 5
dBA	44	44
Third rack	Standard	Standard
Rack adjustability	RackMatic®	RackMatic®
Tub material	Stainless steel	Stainless steel
Control type	Buttons	Buttons
Concealed heating element	Yes	Yes
Leak protection system	24/7 AquaStop®	24/7 AquaStop®
Water softener	No	No
Five-level wash	Yes	Yes
ChildLock	Recessed Handle model only	No
TFT Display	No	No
InfoLight®	Pocket Handle and Bar Handle models only	Yes
Special Features	N/A	DoubleFlex Silverware Basket, SpeedPerfect®

## Efficiency and Capacity

Water usage per cycle	2.9	2.9
Energy efficiency class	Tier 1	Tier 1
ENERGY STAR® qualified	Yes	Yes
Total annual energy / water consumption	259 kWh / 624 g	259 kWh / 624 g
Number of place settings	16	16

## Technical Data

Watts (W)	1300 W	1300 W
Current (A) / Volts (V) / Frequency (Hz)	12 A / 120 V / 60 Hz	12 A / 120 V / 60 Hz
Power cord length	43 1/2"	43 1/2"
Minimum water pressure (lb / sin)	14	14
Length inlet / outlet hose (in)	53" / 67"	53" / 67"

## Dimensions & Weight

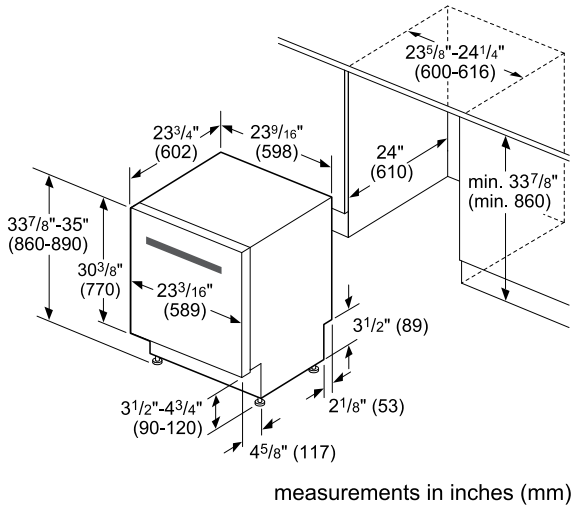
Overall appliance dimensions (HxWxD) (in)	33 7/8" x 23 9/16" x 23 3/4"	33 7/8" x 23 9/16" x 23 3/4"
Required cutout size (HxWxD) (in)	33 7/8" x 23 5/8" x 24"	33 7/8" x 23 5/8" x 24"
Adjustable feet	Yes	Yes
Net weight (lbs)	91 lbs	91 lbs

## Optional Accessories

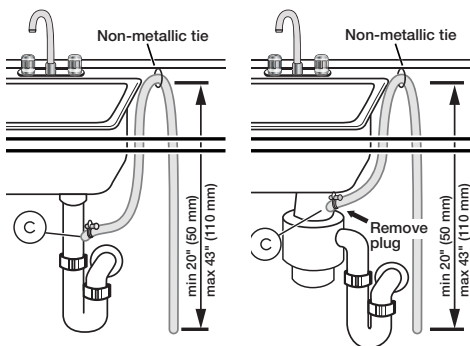
SGZ1010UC Drain Hose Extension 76 3/4"	SMZPC002UC 3-Prong Power Cord 66 7/8"	SMZ5000 Accessory Kit	SMZ4000UC DoubleFlex Silverware Basket	SMZ5002UC Anti-Tarnish Silverware Cassette
--	---	--------------------------	---	---

# 500 Series Dishwashers

## Dimensions and Cutout



## Plumbing

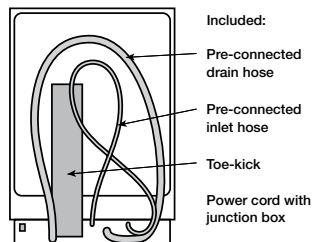


Note: Plumbing installations will vary - refer to local codes. Drain hose included is 79 (201 cm) and can be extended to a maximum of 155 3/4 (396 cm).

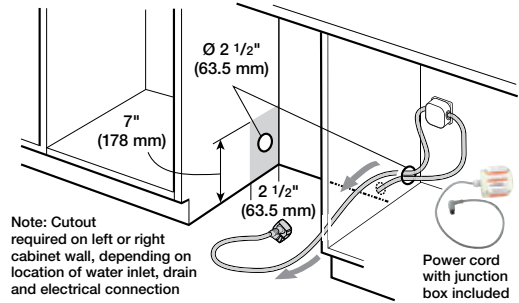
Always use the approved drain hose extension kit (SGZ1010UC).

Ensure a portion of the drain hose is raised between min. 20" (50 cm) and max. 43" (110 cm) above the cabinet floor.

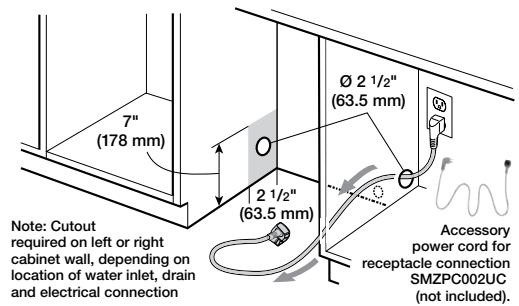
## Included Parts & Accessories



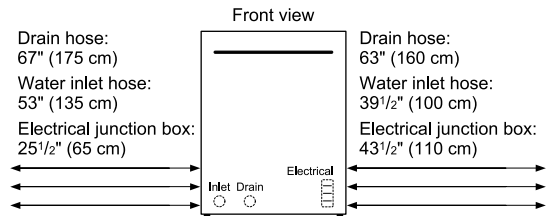
## Example of Hardwire Installation



## Example of Electrical Receptacle Installation



## Water and Electrical Locations



All connections are at the rear of the appliance. Extension for drain hose available as accessory. Power cord for connection to electrical outlet (3-prong plug) available as accessory.

# 800 Series Dishwashers



- 800 Series** + 6 Cycles / 5 Options  
**\*SHE68T5\_UC** + Capacitive Touch Control  
**SHP68T55UC** + Eco Cycle  
**\*SHX68T5\_UC** • Third Rack – 16 Place  
**SHV68T53UC** Settings

- 800 Series** + 40 dBA  
**SHXN8U55UC** + RackMatic® Height Adjustable System  
 + Flexible Third Rack with Folding Tines

- 800 Series DLX** + DoubleFlex  
**SHE68TL5UC** Silverware Basket  
**SHP68TL5UC** + SpeedPerfect®  
**SHX68TL5UC** + 6 Cycles / 6 Options  
**SHV68TL3UC**

+ Indicates a step-up feature

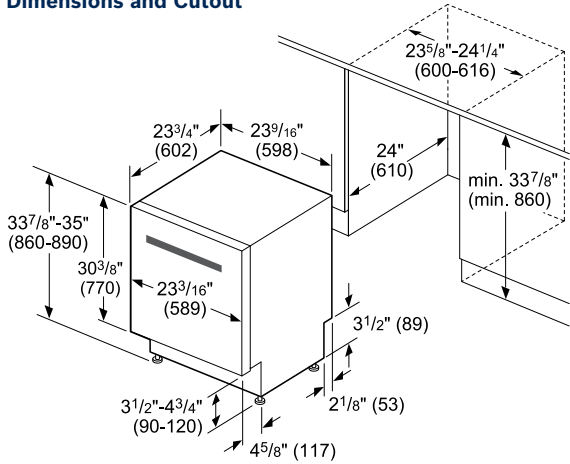
\* Multiple colors available. See color chips to fill in missing digit.

800 Series	800 Series	800 Series DLX
Recessed Handle – SHE68T5_UC Pocket Handle – SHP68T55UC Bar Handle – SHX68T5_UC Custom Panel – SHV68T53UC	Bar Handle – SHXN8U55UC	Recessed Handle – SHE68TL5UC Pocket Handle – SHP68TL5UC Bar Handle – SHX68TL5UC Custom Panel – SHV68TL3UC

General Properties			
Number of wash cycles / options	6 / 5	6 / 5	6 / 6
dBA	44	40	44
Third rack	Standard	Flexible	Standard
Rack adjustability	RackMatic®	RackMatic®	RackMatic®
Tub Material	Stainless Steel	Stainless Steel	Stainless Steel
Control type	Touch Control	Touch Control	Touch Control
Concealed heating element	Yes	Yes	Yes
Leak protection system	24/7 AquaStop®	24/7 AquaStop®	24/7 AquaStop®
Five-level wash	Yes	Yes	Yes
ChildLock	Recessed Handle model only	No	Recessed Handle model only
InfoLight®	Pocket Handle, Bar Handle and Custom Panel models only	Yes	Pocket Handle, Bar Handle and Custom Panel models only
Special Features	Eco Cycle	InfoLight®	DoubleFlex Silverware Basket, SpeedPerfect®, Eco Cycle
Efficiency and Capacity			
Water usage per cycle	2.9	2.9	2.9
Energy efficiency class	Tier 1	Tier 1	Tier 1
ENERGY STAR® qualified	Yes	Yes	Yes
Total annual energy / water consumption	259 kWh / 624 g	269 kWh / 624 g	259 kWh / 624 g
Number of place settings	16	16	16
Technical Data			
Watts (W)	1300 W	1300 W	1300 W
Current (A) / Volts (V) / Frequency (Hz)	12 A / 120 V / 60 Hz	12 A / 120 V / 60 Hz	12 A / 120 V / 60 Hz
Power cord length	43 1/2"	43 1/2"	43 1/2"
Minimum water pressure (lb / sin)	14	14	14
Length inlet / outlet hose (in)	53" / 67"	53" / 67"	53" / 67"
Dimensions & Weight			
Overall appliance dimensions (HxWxD) (in)	33 7/8" x 23 9/16" x 23 3/4"	33 7/8" x 23 9/16" x 23 3/4"	33 7/8" x 23 9/16" x 23 3/4"
Required cutout size (HxWxD) (in)	33 7/8" x 23 5/8" x 24"	33 7/8" x 23 5/8" x 24"	33 7/8" x 23 5/8" x 24"
Adjustable feet	Yes	Yes	Yes
Net weight (lbs)	91 / 91 / 91 / 88 lbs	91 lbs	91 / 91 / 91 / 88 lbs
Optional Accessories			
SGZ1010UC Drain Hose Extension 76 3/4"	SMZPC002UC 3-Prong Power Cord 66 7/8"	SMZ5000 Accessory Kit	SMZ4000UC DoubleFlex Silverware Basket SMZ5002UC Anti-Tarnish Silverware Cassette

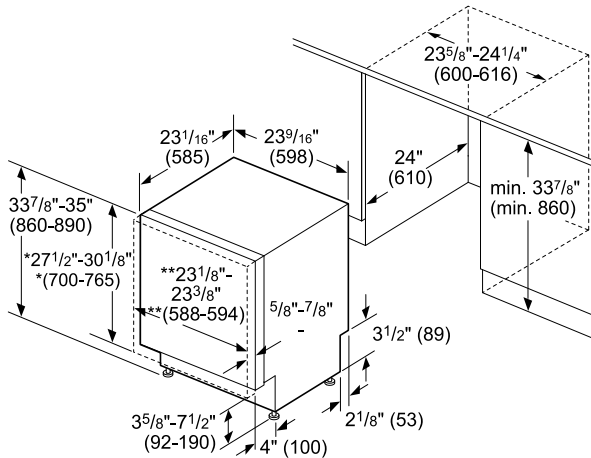
# 800 Series Dishwashers

## Dimensions and Cutout



measurements in inches (mm)

## Custom Panel – Dimensions and Cutout



\* measured from the bottom edge of the countertop panel thickness recommended 3/4" (20 mm).

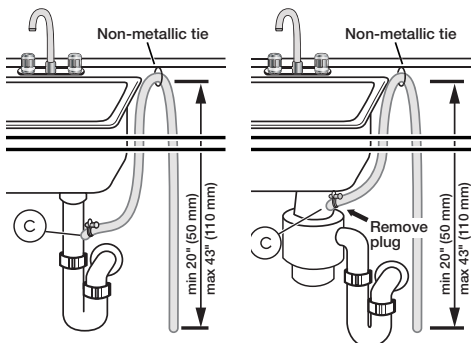
This dishwasher can accept custom door panel weights ranging from 7 to 24 lbs; however, the dishwasher comes from the factory ready for custom panel door weights from 11 to 18 lbs.

If you plan on using a door panel that is not 11 to 18 lbs. please contact customer service at (800) 944-2904.

\*\* 24" (610 mm) wide panel may be used depending on cabinet design

Note: Refer to installation template for mounting hardware locations measurements in inches (mm)

## Plumbing

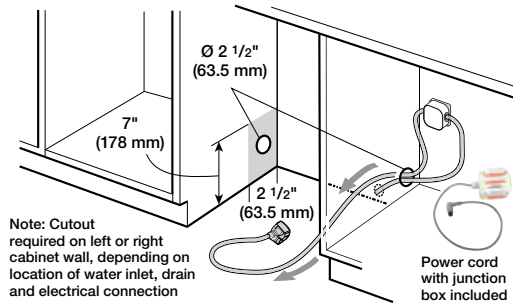


Note: Plumbing installations will vary - refer to local codes. Drain hose included is 79 (201 cm) and can be extended to a maximum of 155 3/4" (396 cm).

Always use the approved drain hose extension kit (SGZ1010UC).

Ensure a portion of the drain hose is raised between min. 20" (50 cm) and max. 43" (110 cm) above the cabinet floor.

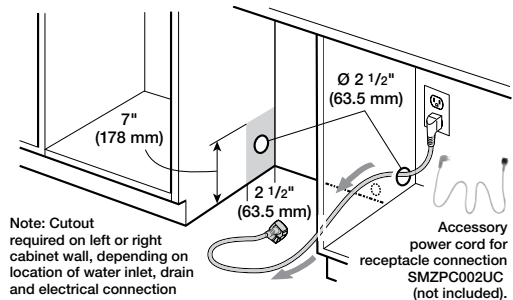
## Example of Hardwire Installation



Note: Cutout required on left or right cabinet wall, depending on location of water inlet, drain and electrical connection

Power cord with junction box included

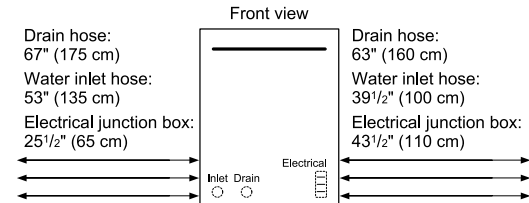
## Example of Electrical Receptacle Installation



Note: Cutout required on left or right cabinet wall, depending on location of water inlet, drain and electrical connection

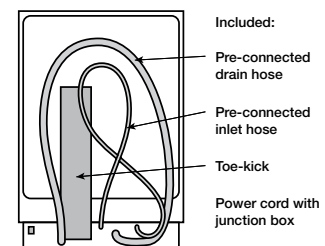
Accessory power cord for receptacle connection SMZPC002UC (not included).

## Water and Electrical Locations



All connections are at the rear of the appliance. Extension for drain hose available as accessory. Power cord for connection to electrical outlet (3-prong plug) available as accessory.

## Included Parts & Accessories





# 18-Inch ADA Special Application Dishwashers



**18-Inch ADA  
300 Series**  
\*SPE53U5\_UC



- 46 dBA
- 4 Cycles / 4 Options
- Water Softener
- 24/7 AquaStop® Plus
- Delay Start Timer



**18-Inch ADA  
800 Series**  
SPE68U55UC  
SPX68U55UC  
SPV68U53UC

- + 44 dBA
- + 6 Cycles / 5 Options
- + Third Rack – 10 Place Settings
- + Eco Cycle

+ Indicates a step-up feature

\* Multiple colors available. See color chips to fill in missing digit.

## 18-Inch ADA 300 Series

Recessed Handle – SPE53U5\_UC

## 18-Inch ADA 800 Series

Recessed Handle – SPE68U55UC  
Bar Handle – SPX68U55UC  
Custom Panel – SPV68U53UC

### General Properties

	18-Inch ADA 300 Series	18-Inch ADA 800 Series
Number of wash cycles / options	4 / 4	6 / 5
dBA	46	44
Third rack	No	Standard
Rack adjustability	RackMatic®	RackMatic®
Tub material	Stainless steel	Stainless steel
Control type	Buttons	Buttons
Concealed heating element	Yes	Yes
Leak protection system	24/7 AquaStop® Plus	24/7 AquaStop® Plus
Water softener	Yes	Yes
Five-level wash	Yes	Yes
ChildLock	Yes	Recessed Handle model only
InfoLight®	No	Bar Handle / Custom Panel only
Special Features	24h Delay Start Timer	Eco Cycle

### Efficiency and Capacity

	18-Inch ADA 300 Series	18-Inch ADA 800 Series
Water usage per cycle	3.0	3.0
Energy efficiency class	Tier 1	Tier 1
ENERGY STAR® qualified	Yes	Yes
Total annual energy / water consumption	259 kWh / 645 g	259 kWh / 645 g
Number of place settings	9	10

### Technical Data

	18-Inch ADA 300 Series	18-Inch ADA 800 Series
Watts (W)	1300 W	1300 W
Current (A) / Volts (V) / Frequency (Hz)	12 A / 120 V / 60 Hz	12 A / 120 V / 60 Hz
Power cord length	68 7/8"	68 7/8"
Minimum water pressure (lb / sin)	7	7
Length inlet / outlet hose (in)	65" / 80 5/8"	65" / 80 5/8"

### Dimensions & Weight

	18-Inch ADA 300 Series	18-Inch ADA 800 Series
ADA Compliant	Yes	Yes
Overall appliance dimensions (HxWxD) (in)	32 1/16" x 17 5/8" x 22 9/16"	32 1/16" x 17 5/8" x 22 7/16" (Custom Panel D: 21 5/8")
Required cutout size (HxWxD) (in)	32 1/8" x 17 3/4" x 24"	32 1/8" x 17 3/4" x 24" (Panel Ready D: 22 7/16")
Adjustable feet	Yes	Yes
Net weight (lbs)	72 lbs	76 / 79 / 75 lbs

### Optional Accessories

SGZ9092UC  
Softener Salt (4.4 lbs)

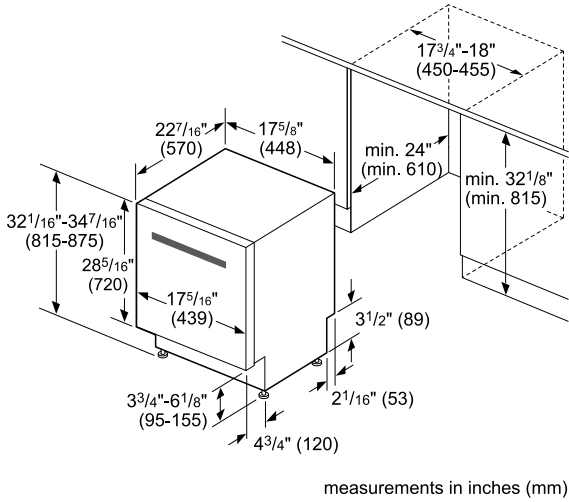
SGZ1010UC  
Drain Hose Extension 76 3/4"

SMZ5000  
Accessory Kit

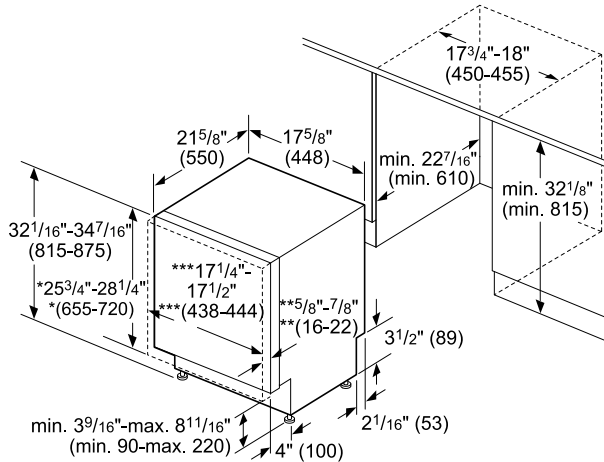
SMZ5003  
Hinge for 4" Toekick Height Installation

# 18-Inch ADA Special Application Dishwashers

## Dimensions and Cutout



## Custom Panel – Dimensions and Cutout



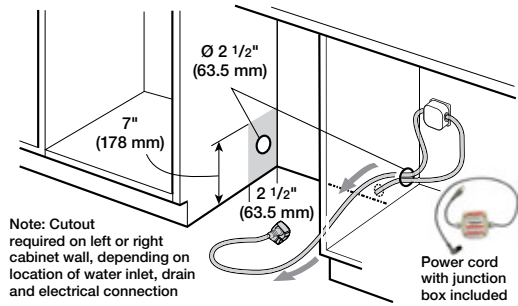
\* measured from the bottom edge of the countertop panel

\*\* panel weight 6-16 lb (2.5-7.5 kg)

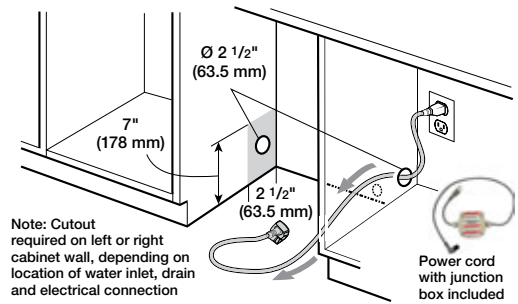
\*\*\* 18" (450 mm) wide panel may be used depending on cabinet design

Note: Refer to installation template for mounting hardware locations

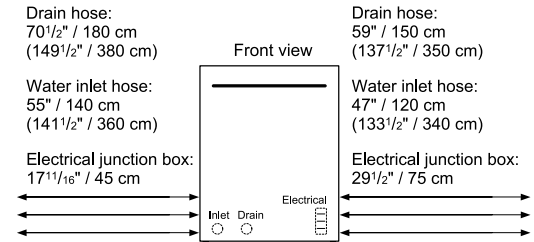
## Example of Hardwire Installation



## Example of Electrical Receptacle Installation

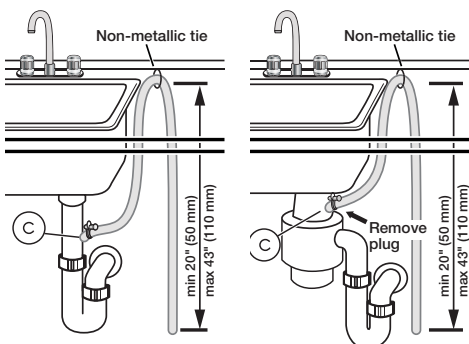


## Water and Electrical Locations

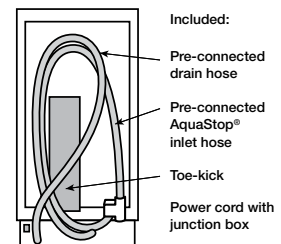


All connections at the rear of the appliance.  
( ) values with extension kit.

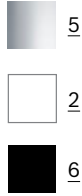
## Plumbing



## Included Parts & Accessories



# 24-Inch ADA Special Application Dishwashers



- 24-Inch ADA 300 Series**  
**\*SGE53U5\_UC**
- 46 dBA
  - 4 Cycles / 4 Options
  - Water Softener
  - 24/7 AquaStop® Plus
  - Delay Start Timer



- 24-Inch ADA 800 Series**  
**SGE68U55UC**  
**SGX68U55UC**  
**SGV68U53UC**
- + 44 dBA
  - + 6 Cycles / 5 Options
  - + Third Rack – 15 Place Settings
  - + Eco Cycle

+ Indicates a step-up feature

\* Multiple colors available. See color chips to fill in missing digit.

24-Inch ADA 300 Series	24-Inch ADA 800 Series
Recessed Handle – SGE53U5_UC	Recessed Handle – SGE68U55UC Bar Handle – SGX68U55UC Custom Panel – SGV68U53UC

General Properties		
Number of wash cycles / options	4 / 4	6 / 5
dBA	46	44
Third rack	No	Standard
Rack adjustability	RackMatic®	RackMatic®
Tub material	Stainless steel	Stainless steel
Control type	Buttons	Buttons
Concealed heating element	Yes	Yes
Leak protection system	24/7 AquaStop® Plus	24/7 AquaStop® Plus
Water softener	Yes	Yes
Five-level wash	Yes	Yes
ChildLock	Yes	Recessed Handle model only
InfoLight®	No	Bar Handle / Custom Panel only
Special Features	24h Delay Start Timer	Eco Cycle
Efficiency and Capacity		
Water usage per cycle	3.0	3.0
Energy efficiency class	Tier 1	Tier 1
ENERGY STAR® qualified	Yes	Yes
Total annual energy / water consumption	259 kWh / 645 g	259 kWh / 645 g
Number of place settings	14	15
Technical Data		
Watts (W)	1300 W	1300 W
Current (A) / Volts (V) / Frequency (Hz)	12 A / 120 V / 60 Hz	12 A / 120 V / 60 Hz
Power cord length	68 7/8"	68 7/8"
Minimum water pressure (lb / sin)	7	7
Length inlet / outlet hose (in)	65" / 74 7/8"	65" / 74 7/8"
Dimensions & Weight		
ADA Compliant	Yes	Yes
Overall appliance dimensions (HxWxD) (in)	32 1/16" x 23 9/16" x 22 9/16"	32 1/16" x 23 9/16" x 22 9/16" (Custom Panel D: 21 5/8")
Required cutout size (HxWxD) (in)	32 1/8" x 24" x 24"	32 1/8" x 24" x 24"
Adjustable feet	Yes	Yes
Net weight (lbs)	84 lbs	89 / 92 / 87 lbs

### Optional Accessories

SGZ9092UC  
Softener Salt (4.4 lbs)

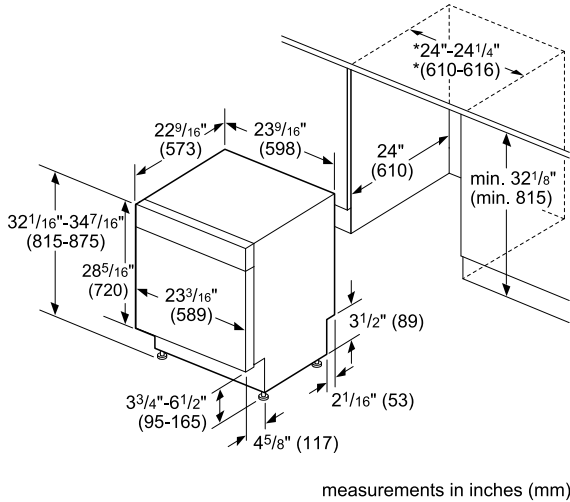
SGZ1010UC  
Drain Hose Extension 76 3/4"

SMZ5000  
Accessory Kit

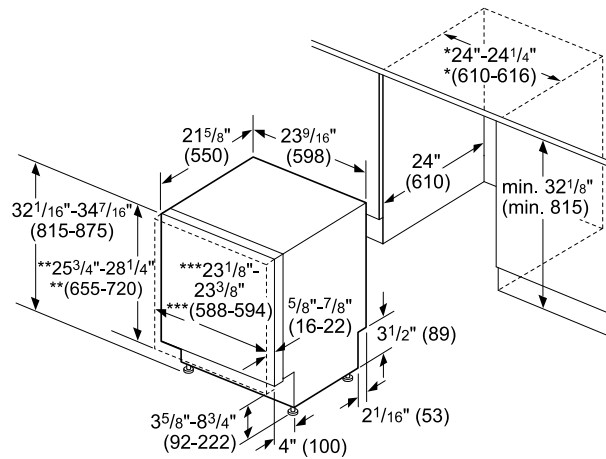
SMZ5002UC  
Anti-tarnish Silverware Cassette

# 24-Inch ADA Special Application Dishwashers

## Dimensions and Cutout

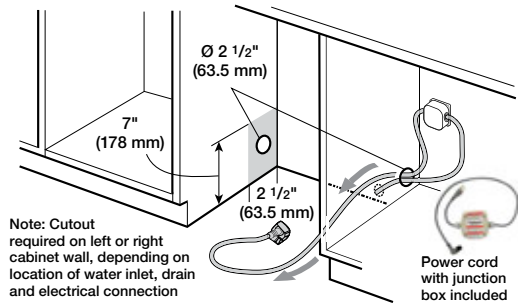


## Custom Panel – Dimensions and Cutout

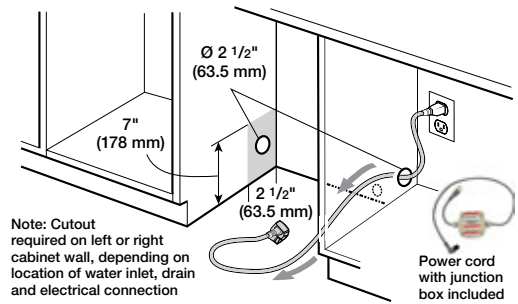


- \*  $23\frac{5}{8}''$  (600 mm) without decor strips
- \*\* measured from the bottom edge of the countertop panel thickness recommended  $\frac{3}{4}''$  (20 mm), panel weight 6-18 lbs (2.5-8.5 kg)
- \*\*\* 24" (610 mm) wide panel may be used depending on cabinet design

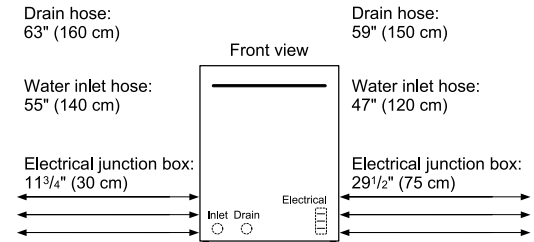
## Example of Hardwire Installation



## Example of Electrical Receptacle Installation

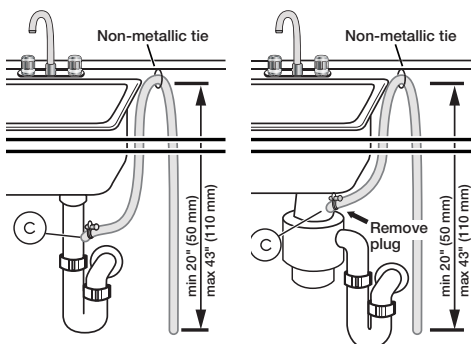


## Water and Electrical Locations



All connections are at the rear of the appliance.  
 Extension for drain hose available as accessory.  
 Power cord for connection to electrical outlet (3-prong plug) available as accessory.

## Plumbing



Note: Plumbing installations will vary - refer to local codes. Drain hose included is 88 5/8" (225 cm) and can be extended to a maximum of 165 3/8" (420 cm). Always use the approved drain hose extension kit (SGZ1010UC). Ensure a portion of the drain hose is raised between min. 20" (50 cm) and max. 43" (110 cm) above the cabinet floor.

## Included Parts & Accessories

