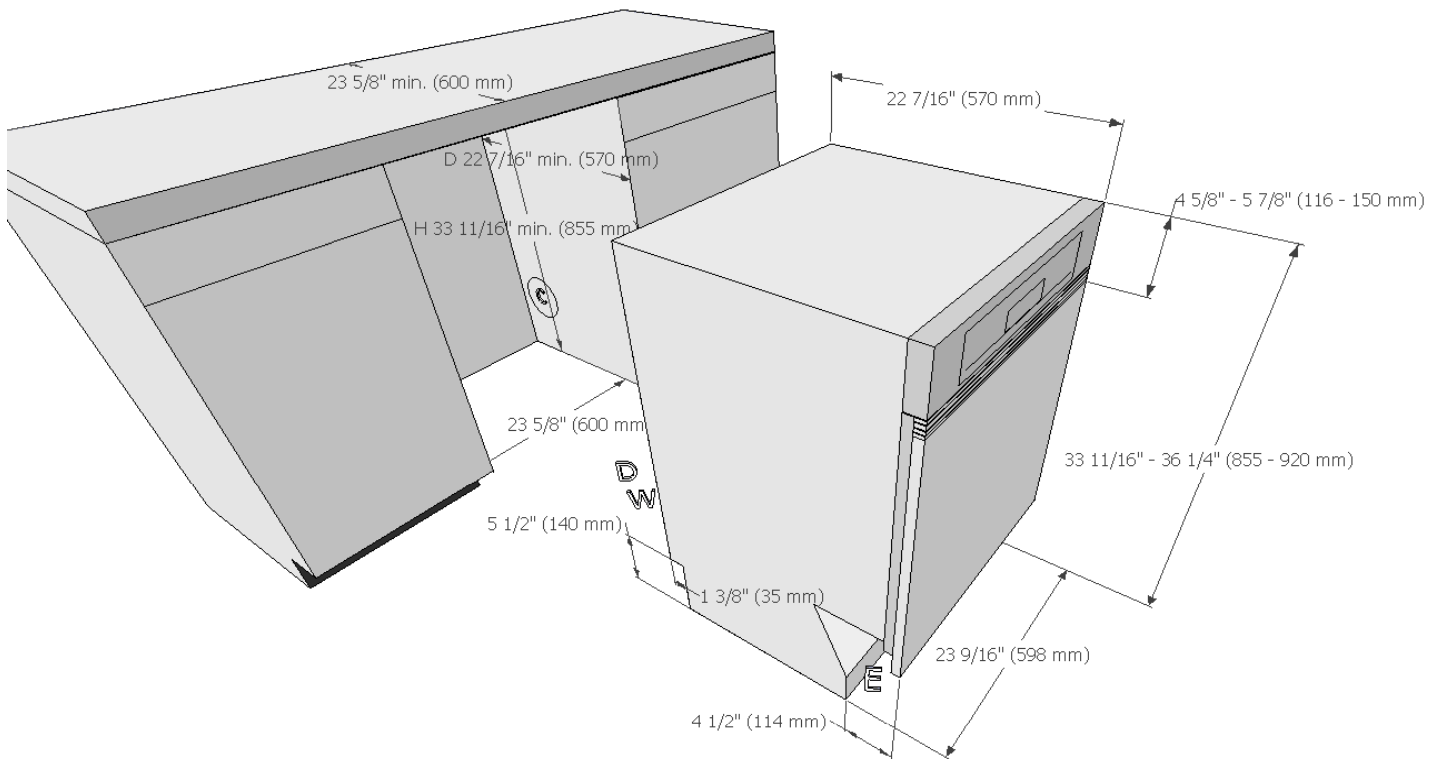


# Product and Cut-out Dimensions

## Dimension G 5505 SCi Integrated Dishwasher



### Location Codes

**C** - Cutout 1 3/8" x 1 3/4" (34 mm x 35 mm) for water, drain and electric pass-through.

Adjust according to water and drain location.

**D** - 5 foot (1.5 meter) flexible drain hose connects lower center rear.

**E** - 5 foot (1.5 meter)– 120 Volt – 15 Amp 3-wire molded plug power supply connects front terminal or can be hardwired.

**W** - 5 foot flexible water intake hose with a 3/8" compression fitting nut connects lower center rear.

### Notes

All installations must be done in accordance with local codes.

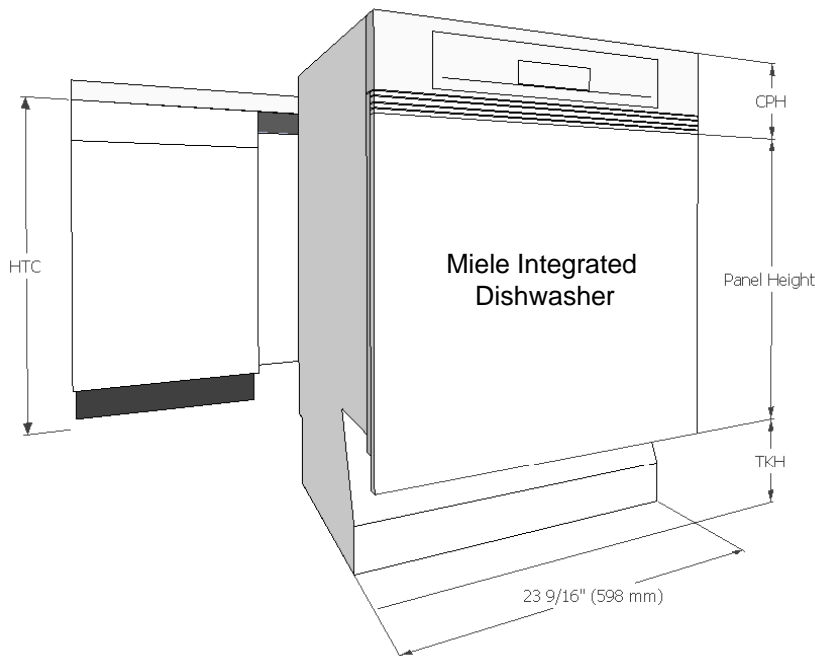
Drawing is not to scale

# Product and Cut-out Dimensions

## Dimension G 5505 SCi Integrated Dishwasher

### Custom Panel Installations

Some Miele dishwashers do not come equipped with a front panel. These dishwashers are designed to accept a custom door panel supplied by the cabinet maker. Miele has a unique panel integration system which allows the dishwasher to align with the surrounding cabinets.



**Width:** 23 7/16" (598 mm) in all cases

**Thickness:** 3/4" (19 mm) in all cases

**Height:** Determined using the following calculation:

$$\text{Panel Height} = \text{HTC} - \text{CPH} - \text{TKH}$$

**HTC** = Height to the underside of countertop

**CPH** = Control panel height (**Note 1**)

**TKH** = Toe kick height

**Note:** Control panel height is determined by the height of the adjoining drawers in the cabinets. The height is adjustable between 4 5/8" and 5 7/8" (116-150 mm) with spacer strips provided.

**Maximum panel height:** 27 1/4" (692 mm)

**Minimum panel height:** 21 1/4" (540 mm)

**Maximum panel weight:** 23 Pounds (10.4 kg)

### GDU Kit Installations

Miele offers pre-fabricated panels for all integrated units called GDU kits. These panels are designed for various toe-kick heights and include a black plastic toe kick cover.

#### GDU 60/65-1 4" Toekick

This GDU accepts a custom insert:  
 Height: 25 11/16" (650 mm)  
 Width 23 1/8" (587 mm)  
 Thick 1/8" (3 mm)

Exposed toe-kick

#### GDU 60/60-1 6" Toekick

This GDU accepts a custom insert:  
 Height: 23 5/8" (600 mm)  
 Width 23 1/8" (587 mm)  
 Thick 1/8" (3 mm)

Exposed toe-kick

# Product and Cut-out Dimensions

## Dimension G 5505 SCi Integrated Dishwasher

		Height to underside of countertop									
		33 3/4	34	34 1/4	34 1/2	34 3/4	35	35 1/4	35 1/2	35 3/4	36
Toe Kick Height	2 1/2										
	3										
	3 1/2										
	4										
	4 1/2										
	5										
	5 1/2										
	6										
	6 1/2										
	7										
	7 1/2										
	8										
8 1/2											

Acceptable combinations  
 Typical American installation