

SPECIFICATIONS

SIRIUS™ TWO HANDLE WIDESPREAD LAVATORY FAUCET

Model

D304144

Description

- Ceramic disc valve
- 8 3/4" high swivel spout, 5 1/2" spout length
- Natural water stream
- Metal touch down drain assembly
- 3 hole mount
- 1.2gpm (4.5L/min) maximum flow rate @60 psi
- Meets CEC Requirement

Standards



NSF/ANSI 372

- NSF/ANSI 372

MEETS ASME A112.18.1M/A112.18.1

- ASME A112.18.1M/A112.18.1



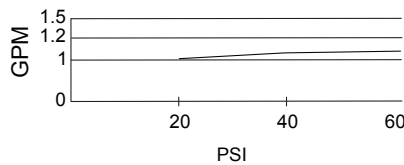
- ADA Accessibility Guidelines for Buildings and Facilities - 309.4 Operation for Operable Parts

- WaterSense Pending

Warranty

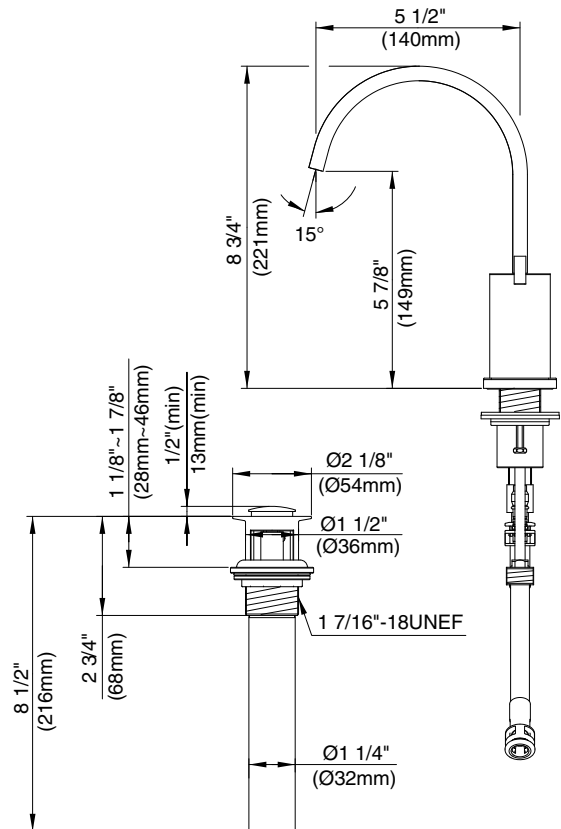
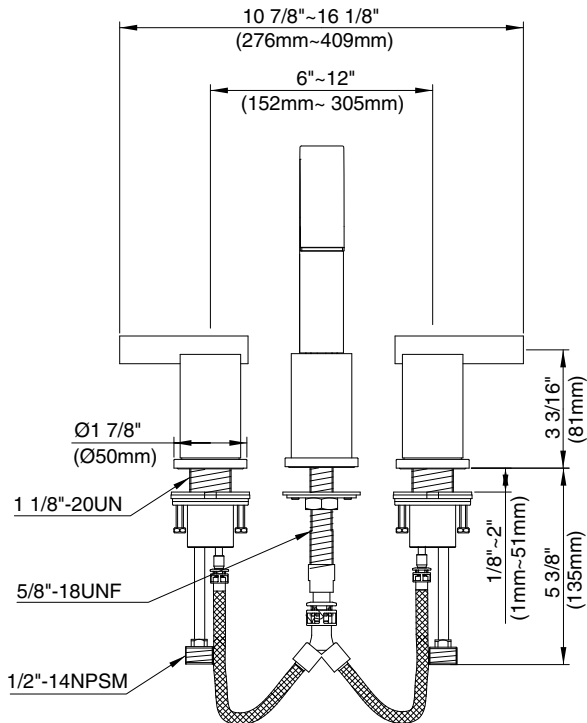
Danze products are covered by a manufacturer s limited "lifetime" warranty for manufacturing defects.

Flow Rate



Finishes Available

- Chrome
- Other: Refer to Price List for additional finish



Submittal Information:

Job Name: _____
 Contractor: _____

Location: _____
 Contact #: _____