

SPECIFICATIONS

BANNOCKBURN™ TWO HANDLE MINI-WIDESPREAD LAVATORY FAUCET

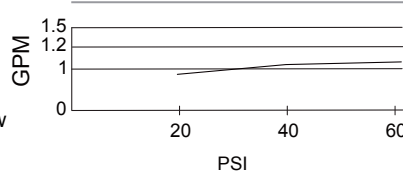
Model

D303156

Description

- Ceramic disc valves
- 5 1/8" high spout, 4 1/8" spout length, laminar flow
- With metal touch down drain assembly
- 3 hole mount, 4" - 12" installation
- 1.2gpm(4.5L/min) maximum flow rate @60 psi
- Meets CEC Requirement

Flow Rate



Standards



NSF/ANSI 372 • NSF/ANSI 372

MEETS ASME A112.18.1M/A112.18.1

• ASME A112.18.1M/A112.18.1



• ADA Accessibility Guidelines for Buildings and Facilities - 309.4 Operation and Operable Parts

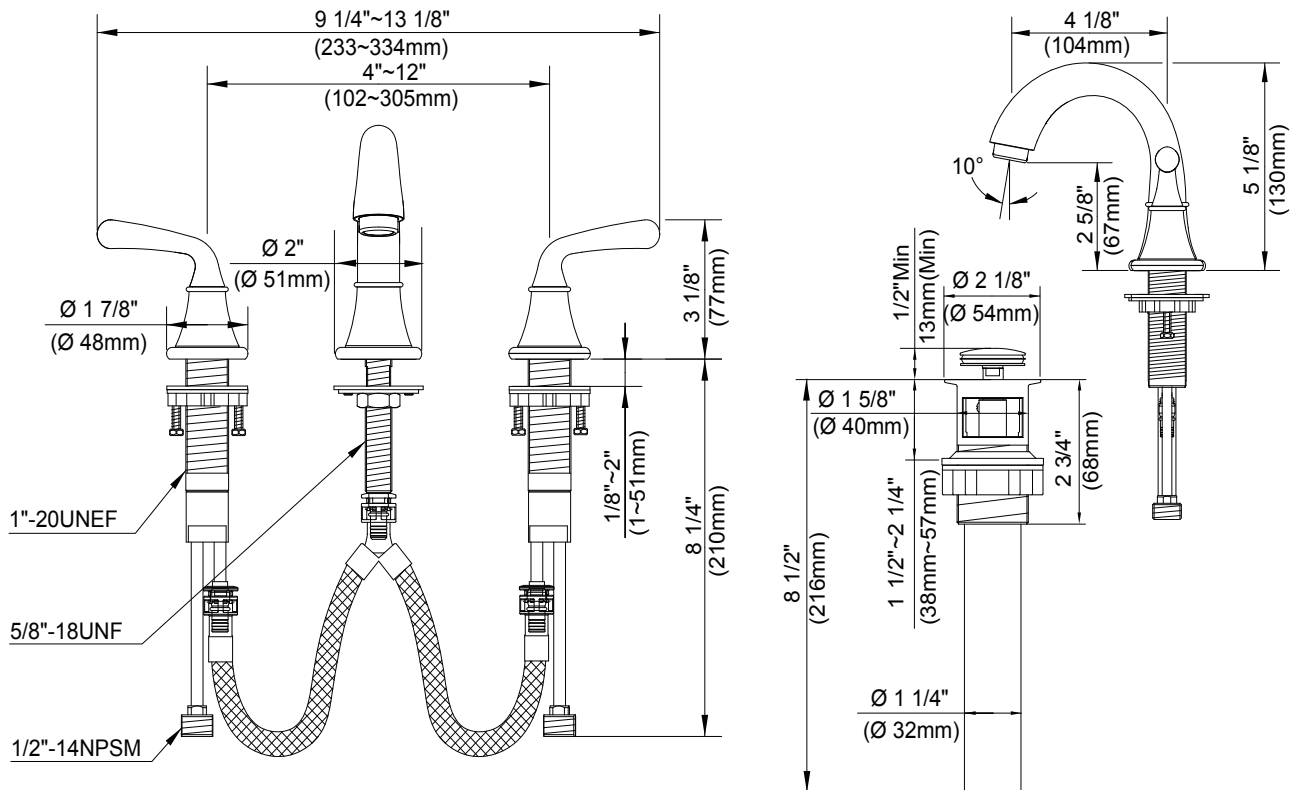
•WaterSense Pending

Finishes Available

- Chrome
- Other: Refer to Price List for additional finish

Warranty

Danze products are covered by a manufacturer's limited "lifetime" warranty for manufacturing defects.



Submittal Information:

Job Name: _____
 Contractor: _____

Location: _____
 Contact #: _____