

SPECIFICATIONS

EASTHAM™ TWO HANDLE CENTERSET LAVATORY FAUCET

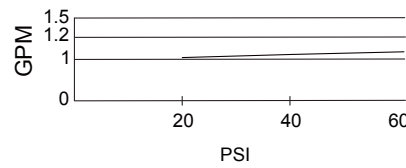
Model

D301115

Description

- Ceramic disc valves
- 6 ¾" high spout , 4 ½" spout length, laminar flow
- With 50/50 pop-up drain assembly
- 3 hole mount
- 1.2gpm (4.5L/min) maximum flow rate @60 psi
- Meets CEC Requirement

Flow Rate



Standards



NSF/ANSI 372

- NSF/ANSI 372

MEETS ASME A112.18.1M/A112.18.1

- ASME A112.18.1M/A112.18.1



- ADA Accessibility Guidelines for Buildings and Facilities - 309.4 Operation for Operable Parts

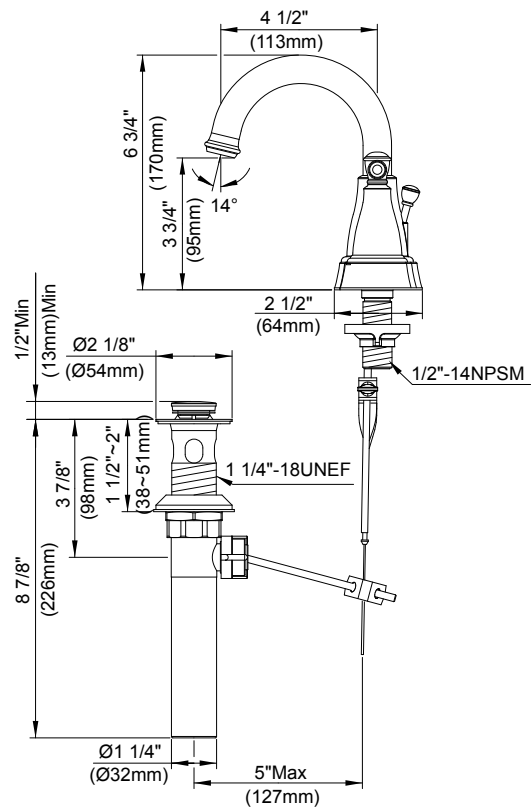
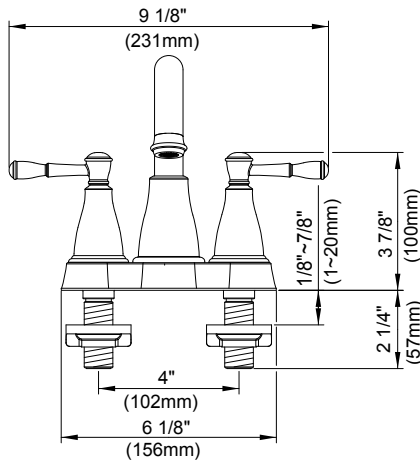
•WaterSense Pending

Finishes Available

- Chrome
- Other: Refer to Price List for additional finish

Warranty

Danze products are covered by a manufacturer's limited "lifetime" warranty for manufacturing defects.



Submittal Information:

Job Name: _____

Location: _____

Contractor: _____

Contact #: _____