

SPECIFICATIONS

SIRIUS™ SINGLE HANDLE LAVATORY FAUCET

Model

D221144

Description

- Ceramic disc valve
- 8 3/4" high swivel spout, 5 1/2" spout length
- 360° spout swivel
- Natural water stream
- With metal touch down drain assembly
- 4" deck plate DA607568 sold separately for single hole mounting
- 1.2gpm (4.5L/min) maximum flow rate @60 psi
- Meets CEC Requirement

Standards



NSF/ANSI 372 • NSF/ANSI 372

MEETS ASME A112.18.1M/A112.18.1

• ASME A112.18.1M/A112.18.1



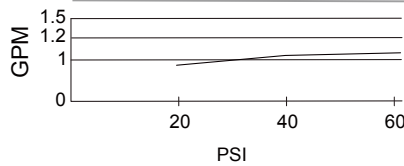
• ADA Accessibility Guidelines for Buildings and Facilities - 309.4 Operation for Operable Parts

•WaterSense Pending

Warranty

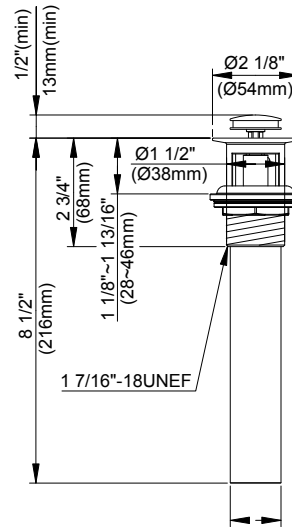
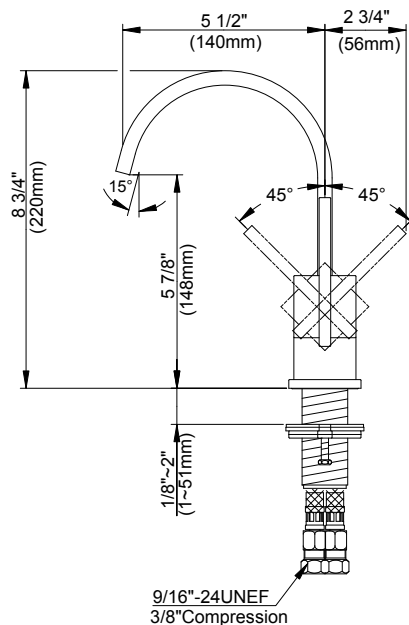
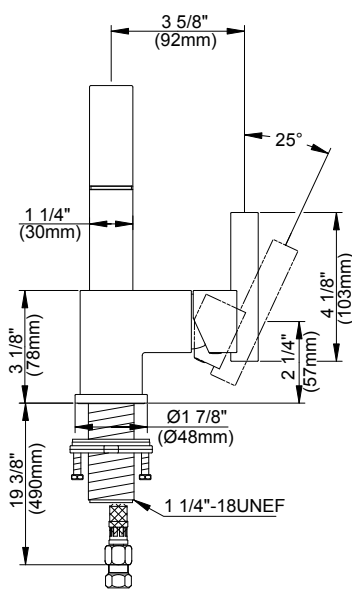
Danze products are covered by a manufacturer's limited "lifetime" warranty for manufacturing defects.

Flow Rate

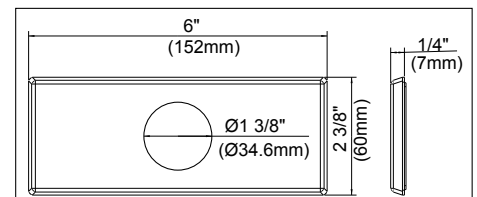


Finishes Available

- Chrome
- Other: Refer to Price List for additional finish



4" Deck Plate DA607568 Sold Separately



Submittal Information:

Job Name: _____
 Contractor: _____

Location: _____
 Contact #: _____