

SPECIFICATIONS

COMO™ SINGLE HANDLE BAR & CONVENIENCE FAUCET

Model

D150542

Description

- Ceramic disc valve
- 13 1/4" high swivel spout, 5 1/2" spout length
- 4" deck plate D493082 sold separately for single hole mounting
- 1.75gpm (6.6L/min) maximum flow rate @60 psi
- Meets CEC requirements

Standards

NSF/ANSI 372 • NSF/ANSI 372

MEETS ASME A112.18.1M/A112.18.1 • ASME A112.18.1M/A112.18.1

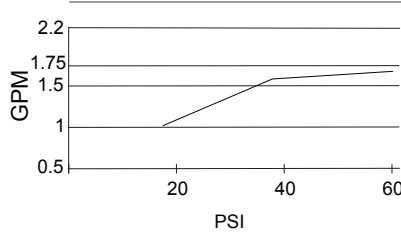


- ADA Accessibility Guidelines for Buildings and Facilities - 309.4 Operation for Operable Parts

Warranty

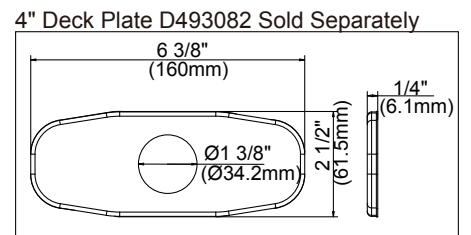
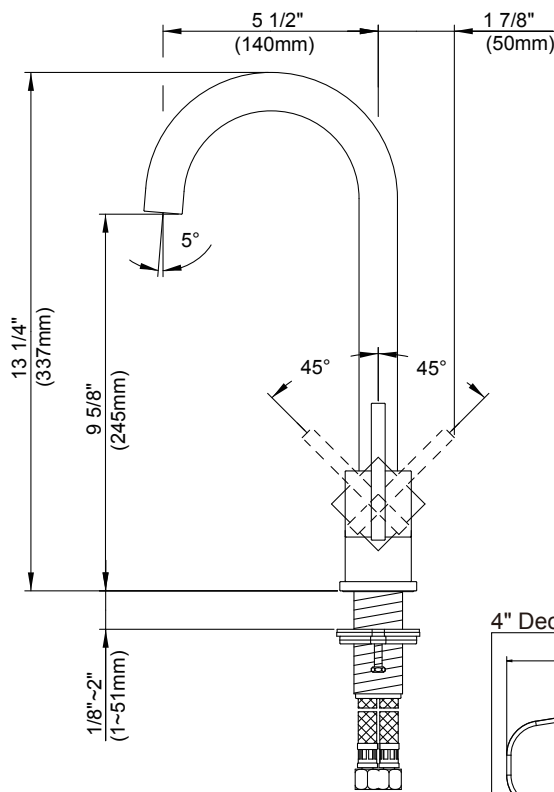
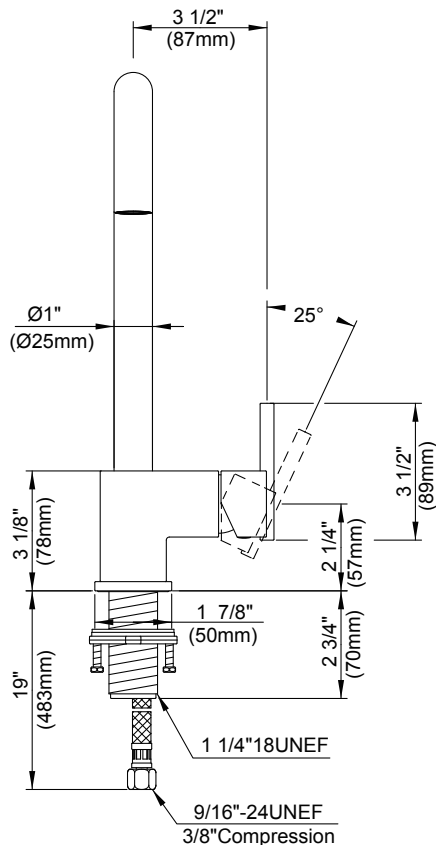
Danze products are covered by a manufacturer's limited "lifetime" warranty for manufacturing defects.

Flow Rate



Finishes Available

- Chrome
- Other: Refer to Price List for additional finish



Submittal Information:

Job Name: _____
 Contractor: _____

Location: _____
 Contact #: _____