

dacor[®]

Installation instructions

Built-In Refrigerator

DRS4253****



Contents

Before you begin...	4
Important	4
Refrigerator safety	5
Important safety instructions	5
State of California Proposition 65 Warning	6
Installation safety	7
Location and installation safety	7
Tipping radius	9
Tipping radius	9
Installation requirements	10
Installation preparation	10
Cutout requirements	12
Product specifications	14
Refrigerator dimensions	14

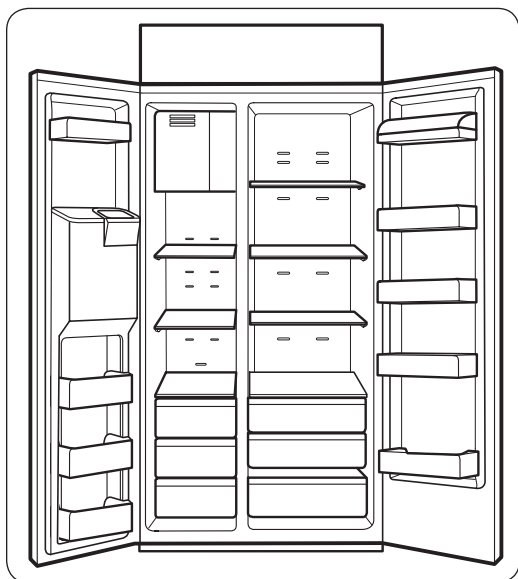


Installation instructions	16
Grounding the refrigerator	16
Connecting to the main water supply	17
Remove packaging	18
Checking the water dispenser line	19
Water line installation	21
Move to the anti-tip brackets	22
Connect power	22
Level refrigerator	23
Secure refrigerator to furniture	24
Connect water supply	24
Start icemaker	25
Install kickplate	25
Door alignment	26

Before you begin...

Important

Before you begin...



Installer

- In the interest of safety and to minimize problems, read this Installation Instructions manual carefully and completely before you begin the installation. Leave these installation instructions with the user.
- Also, write the model and serial number of the appliance(s) you are installing below so our user can reference them in the future.
- This information is found on the data sticker label located inside the refrigerator.

User

- Keep this Installation Instructions manual for future needs and for the local inspector's reference.

SAVE THESE INSTRUCTIONS

Refrigerator safety

Important safety instructions

The Important safety instructions and warnings in these instructions are not meant to cover all possible problems and conditions that can occur.

Use common sense and caution when installing, maintaining, or operating this or any other appliance.

Always contact the Dacor Customer Service Team about problems and conditions that you don't understand.

Safety symbols and labels

These alerts are meant to bring attention to important areas in the manual.

Whenever you see these symbols or labels, read the message carefully before continuing.

DANGER

Immediate hazards that **WILL** result in severe personal injury or death.

WARNING

Hazards or unsafe practices that **COULD** result in severe personal injury or death.

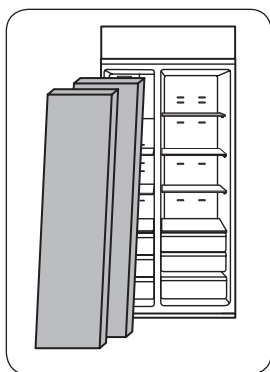
CAUTION

Hazards or unsafe practices that **MIGHT** result in minor personal injury or property damage.

Correct disposal of your old refrigerator

IMPORTANT: Child entrapment and suffocation are not problems of the past. Junked or abandoned refrigerators are still dangerous, even if they will sit for “just a few days.”

If you are getting rid of your old refrigerator, please follow these instructions to help prevent accidents.



Before you discard your old refrigerator or freezer:

- Take off the doors.
- Leave the shelves in place so that children may not easily climb inside.

SAVE THESE INSTRUCTIONS



Refrigerator safety

DANGER

To avoid the possibility of explosion or fire, do not store or use combustible, flammable or explosive vapors and liquids (such as gasoline) inside or in the vicinity of this or any other appliance. Also keep items that could explode, such as aerosol cans away from cooktop burners, ovens and range hoods. Do not store flammable or explosive materials in adjacent cabinets or areas.

WARNING

TO REDUCE THE RISK OF FIRE, ELECTRIC SHOCK, OR INJURY TO PERSONS, OBSERVE THE FOLLOWING:

- A.** Use this unit only in the manner intended by the manufacturer. If you have questions, contact the manufacturer.
- B.** Before servicing or cleaning unit, unplug the power cord from the wall outlet and lock the circuit break panel. When the circuit breaker panel cannot be locked, securely fasten a prominent warning device, such as a tag, to the service panel.

State of California Proposition 65 Warning

WARNING

Cancer and Reproductive Harm - www.P65Warnings.ca.gov.

WARNING

Suffocation Hazard

Remove doors from the old refrigerator:

Failure to do so can allow children to be trapped inside without air, resulting in death or brain damage.

Important information to know about disposal of refrigerants:

Dispose of refrigerator in accordance with Federal and Local regulations. Refrigerants must be evacuated by a licensed, EPA certified refrigerant technician in accordance with established procedures.

SAVE THESE INSTRUCTIONS



Installation safety

Location and installation safety

WARNING

- Before installing the refrigerator, connect it to a power outlet and turn the refrigerator ON to make sure the refrigerator is working.
- Choose a location away from the heat of a heater, boiler, or direct sunlight.
- Install the unit where air flows freely and where the refrigerator is well ventilated.
- Install the unit so that air flows unobstructed through the front air grill. If the air circulation is not ensured, it may interfere with the normal functioning of the product.
- Outside animals (rodents) can chew on the power cord and cause a fire; therefore, install the unit where there is no access to animals.
- If the cabinet is made of soft material (ex: plaster, etc.), it can have a weak structure and be damaged. Therefore, use a cabinet made of sturdy, strong material.
- Install the refrigerator with a team of at least 2 people.
- Refer to the dimensions of the cabinet and prepare the cabinet with good air circulation.
- Use cabinet that will not warp from product heat emissions or humidity from the opening and closing of the refrigerator.

NOTE

If any doorways are too small for the refrigerator to pass through, the doors on the refrigerator can be removed.

This refrigerator is a “built-in” style refrigerator, meaning that the refrigerator requires installation inside a recess in existing kitchen cabinetry.

Before moving the refrigerator, clear the route to the location where it will be installed. Check all product dimensions and the tipping radius with any doorways, hallways, stairs, corners, etc., to ensure a clear passageway.

Installation safety

WARNING



Tip Hazard

Refrigerator is top-heavy and tips easily when not securely installed.

Keep doors taped closed until refrigerator is in its final position and ready to be secured in place.

Use two or more people to move and install refrigerator.

Failure to do so can result in death or serious injury.

DANGER



Explosion Risk

Keep flammable materials and vapors - such as gasoline - away from the refrigerator.

Failure to do so can result in death, explosion, or fire.

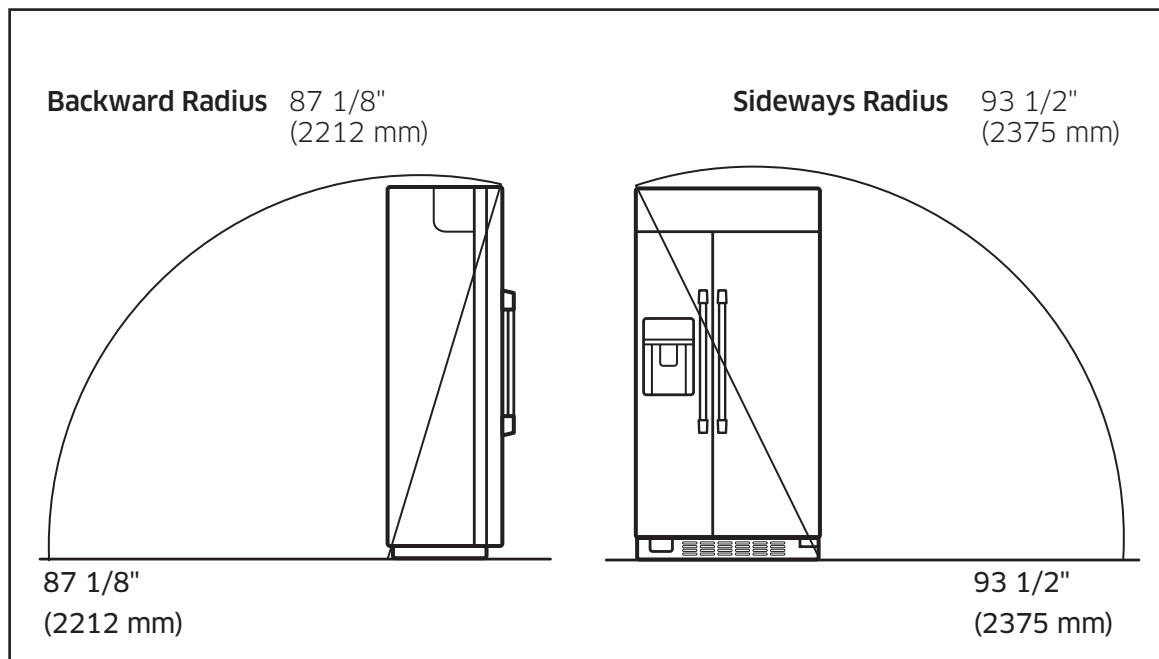
Tipping radius

Tipping radius

WARNING

Because the refrigerator is top-heavy, it will tip easily when it is not permanently attached to the cabinet.

Below is the radius measurement from the top of the refrigerator to the floor:

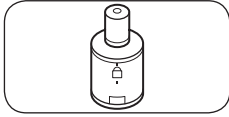


Tipping radius

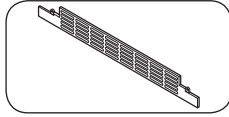
Installation requirements

Installation preparation

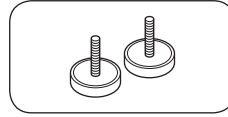
Hardware supplied



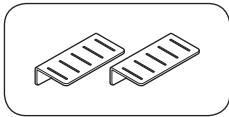
Filter



Kickplate

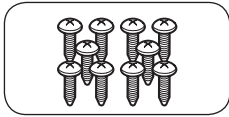


Kickplate Screw x 2 ea

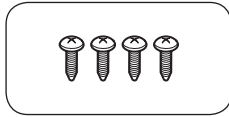


Anti-tip brackets x 2 ea

Pe bag



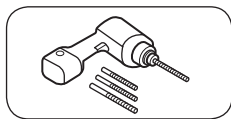
Tapping screw L16 x 10 ea



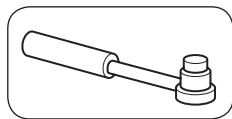
Tapping screw L20 x 4 ea

Installation requirements

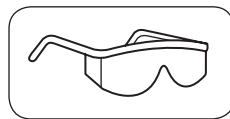
Tools required



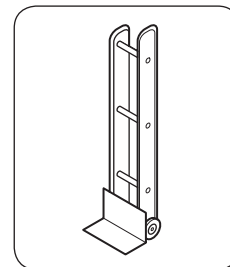
Drill & Bits



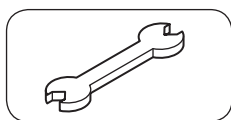
Sockets (6, 12 mm)



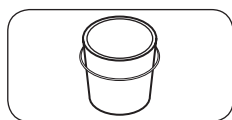
Safety glasses



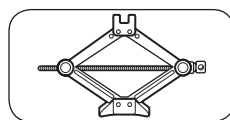
Appliance trolley



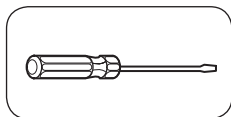
Open-end wrenches
(11, 12 mm)



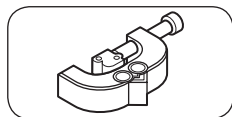
Bucket



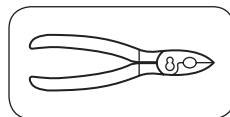
Jack x 2 ea



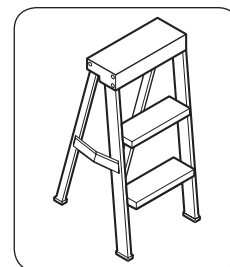
Flathead
screwdriver



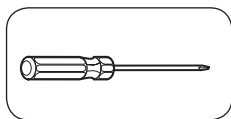
Tubing cutter



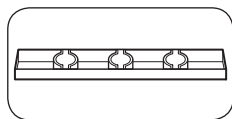
Pliers



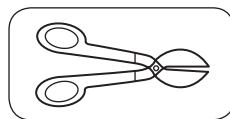
Stepladder



Philips head
screwdriver



Level



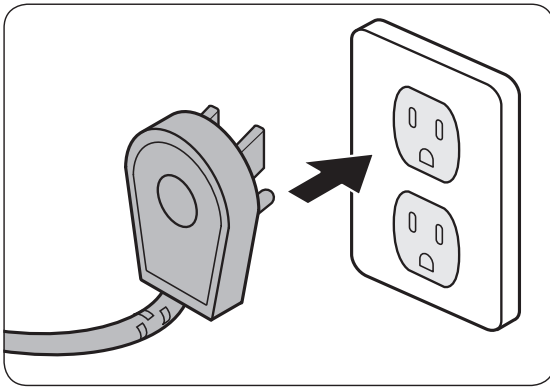
Tinsnips

Installation requirements

Cutout requirements

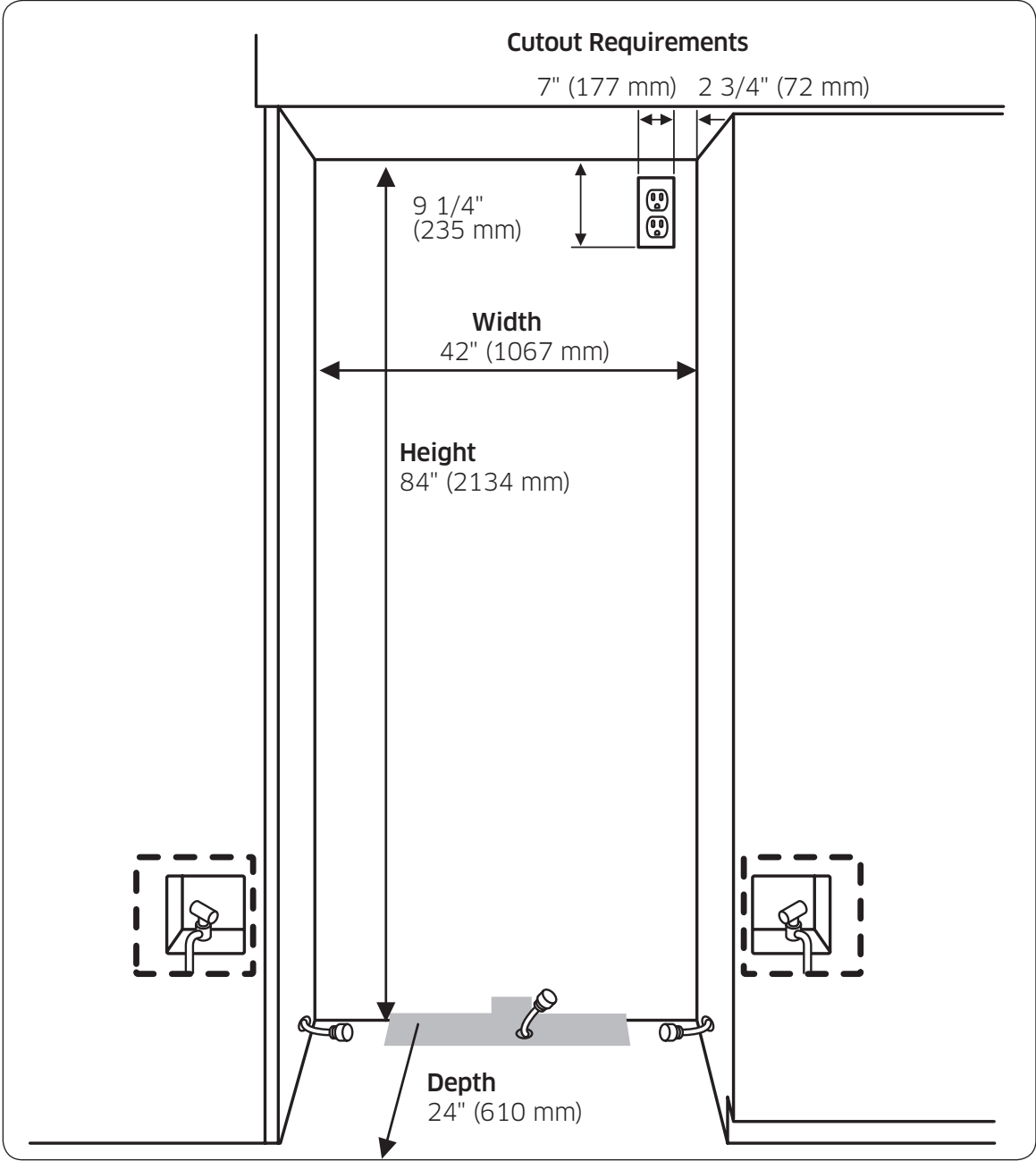
Cutout dimensions (W x H x D) : 42" x 84" x 24" (1067 x 2134 x 610 mm)

- Install the refrigerator so that it can be pulled away from the wall if service becomes necessary.
- The flooring under the refrigerator must be level with the kitchen flooring. (The refrigerator cannot be on a raised or lowered floor.)
- The face of the surrounding cabinetry must be plumb.
- Water line can enter the opening through the floor or rear wall. The water line should be used for supplied connecting between the cold water line and water connection location. The line should be long enough to extend to the front of the refrigerator. Installation of an easily accessible shutoff valve in the water line is required.
- It is recommended that you use a mat to prevent the floor from damage.



⚠ WARNING

- Make sure a dedicated, grounded, 3-prong outlet is installed to supply electrical power to the refrigerator.
- Use a 3-prong power cord plugged directly into the grounded outlet. Do not alter into a 2-prong power cord or use a power strip.
- Make sure the house's main water supply is accessible where the refrigerator will be placed. Water is needed for the refrigerator's ice maker and drinking water dispenser.
- See the suggested water line locations in the image below.



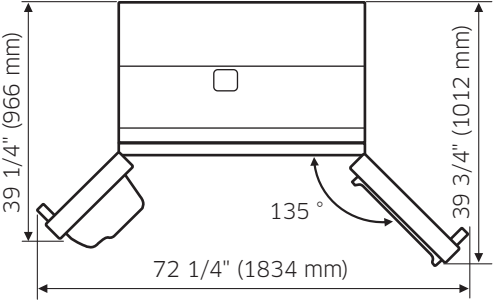
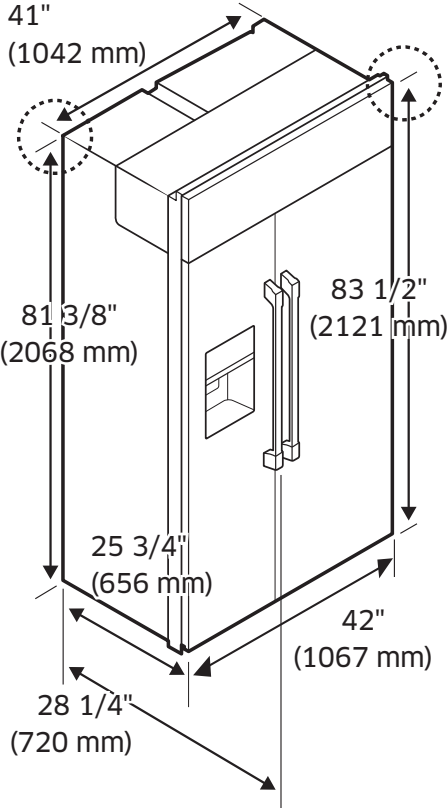
Installation requirements

Product specifications

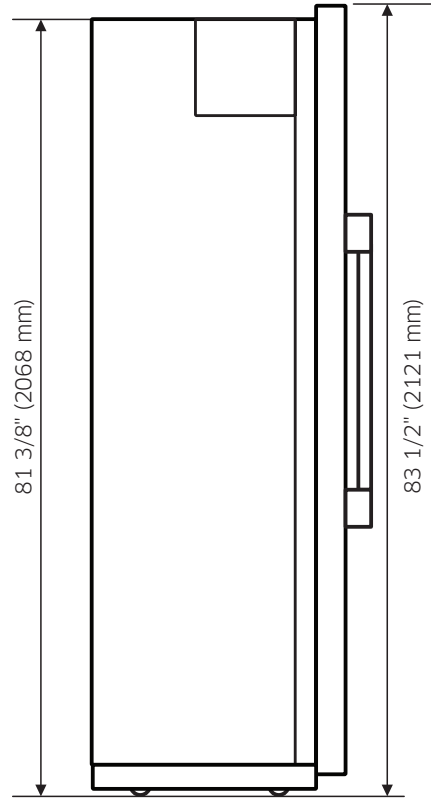
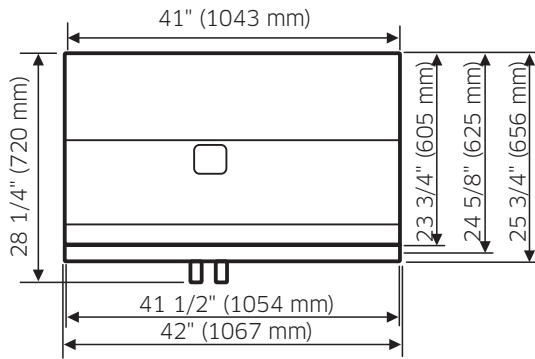
Refrigerator dimensions

Outside dimensions (W x H x D) : 42" x 83 1/2" x 28 1/4" (1067 x 2121 x 720 mm)

See the pictures and table below and on the next page for installation space requirements.



Product specifications



NOTE

The measurements of your refrigerator may differ from those listed above, depending on the measuring method.

Installation instructions

Grounding the refrigerator

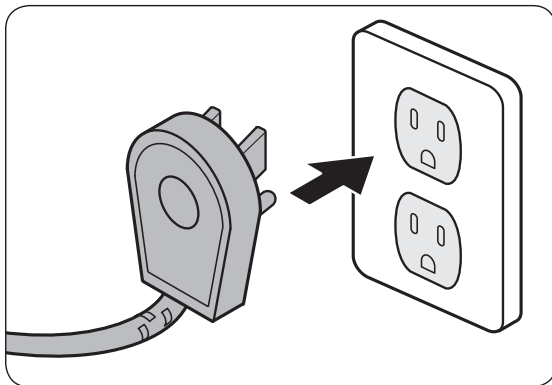
CAUTION

FOR PERSONAL SAFETY, THIS APPLIANCE MUST BE PROPERLY GROUNDED.

The power supply cord of this appliance is equipped with a three-pin (earthing) plug which mates with a standard three-pin (earthing) wall receptacle to minimize the possibility of electric shock hazard from this appliance.

Have the wall outlet and circuit checked by a qualified electrician to make sure the outlet is properly earthed.

Where a standard 2-pin wall outlet is encountered, it is your personal responsibility and obligation to have it replaced with a properly grounded 3-pin wall outlet.



DO NOT, UNDER ANY CIRCUMSTANCES, CUT OR REMOVE THE THIRD (EARTH) PIN FROM THE POWER CORD.

DO NOT USE AN ADAPTER PLUG TO CONNECT THE REFRIGERATOR TO A 2-PIN OUTLET.

DO NOT USE AN EXTENSION CORD WITH THIS APPLIANCE.

WARNING



Electrical Shock Hazard

Plug into a grounded, dedicated 3-prong outlet.

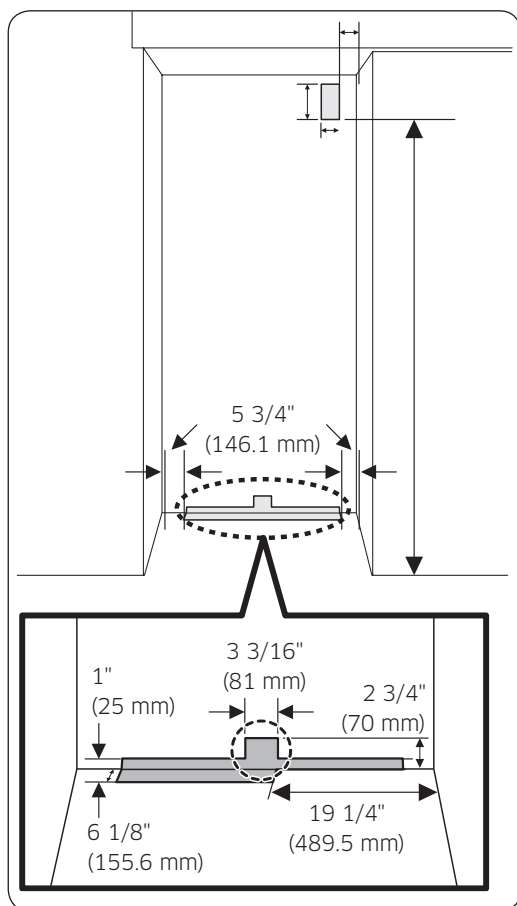
Do not remove the ground prong.

Do not use an adapter.

Do not use an extension cord.

Failure to follow these instructions can result in death, fire, or electrical shock.

Connecting to the main water supply



Before connecting the refrigerator's water line to the house's main water supply, the house's plumbing layout must be understood.

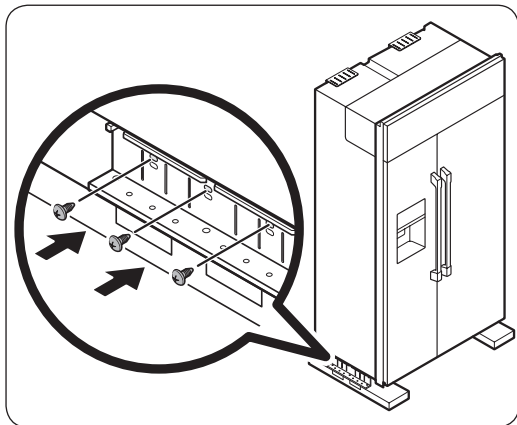
1. Decide the best way to utilize the plumbing layout, then
2. Tap into the main water line while following these requirements:
 - The installer must provide the 5/16-in (8 mm) water line and all fittings.
 - The water line must be long enough to provide slack to allow the refrigerator to be moved for floor cleaning and servicing, without the need to first disconnect the water line.
 - All new installations must meet local plumbing code requirements.
 - The water shutoff should be placed in the base cabinet on either side of the refrigerator (the right-side is recommended) or in some other easily accessible area.
 - If the water shut-off valve is placed in the back wall behind the refrigerator, it must be at an angle so that the water line is not kinked when the refrigerator is pushed into its final position.
 - Make sure the water supply pipe is within the range shown in the illustrations at right.

Installation instructions

Remove packaging

⚠ CAUTION

Refrigerator is **Top-Heavy** - be careful when moving. When using an appliance trolley, handle from Freezer side only.



- Carefully cut banding at the top and bottom, remove outer carton.
- Slide out rear corner posts (2).
- Slide carton off top of cabinet.

📄 NOTE

Do not lay cabinet down in order to remove skid!

- The unit is secured to the skid with six 1/2" (11 mm) bolts.
- Remove all six 11 mm bolts that secure metal brackets to the refrigerator.
- Tilt unit up on Freezer side toward Fresh Food side.
- Push bolts down, remove metal bracket from Freezer side.
- Slide the appliance trolley underneath the Freezer side.
- Using corner posts (2 on front corners) to prevent damage, secure unit to appliance trolley.

📄 NOTE

If corner posts are too long, cut the posts to a shorter length

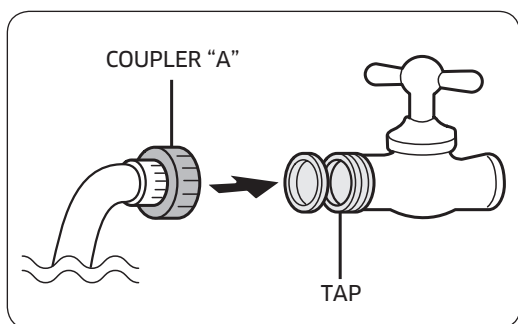
- Lift the unit off the skid with the appliance trolley.
- Remove kickplate taped to the top of the unit.
- Set kickplate aside for final installation.

⚠ CAUTION

- Do not attempt to roll or drag until unit is off skid.
- Make sure the water line is clear of appliance trolley to avoid damage.

Checking the water dispenser line

- In order to operate the ice maker properly, water pressure between 30 and 120 psi (207 and 827 kPa) is required.
- The water filter removes particles. It does not sterilize or destroy any micro-organisms.
- If the refrigerator is installed in an area with low water pressure (below 30 psi (207 kPa)), you should install a booster pump to compensate for the low pressure.
- Ensure the water storage tank inside the refrigerator is properly filled initially. Push the water dispenser lever until the air is out of the tank and continuous stream of water is being dispensed.



Connect to the water supply line

Connect the water pipe with coupler and tap.

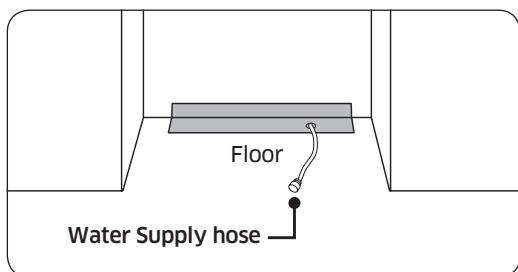
- Close the main water tap.
- Connect coupler "A" to the tap.
- Every join should be sealed with sealing tape.

CAUTION

It is recommended that a pressure valve be installed by the plumber (30 psi (207 kPa)).

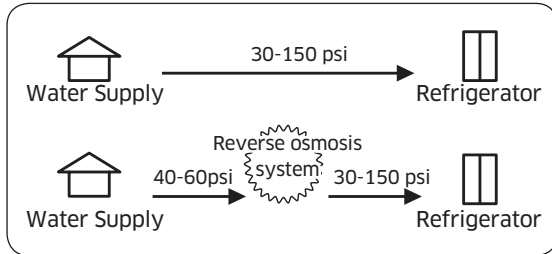
NOTE

Supplied water line and fitting valve must be connected to water pipe.



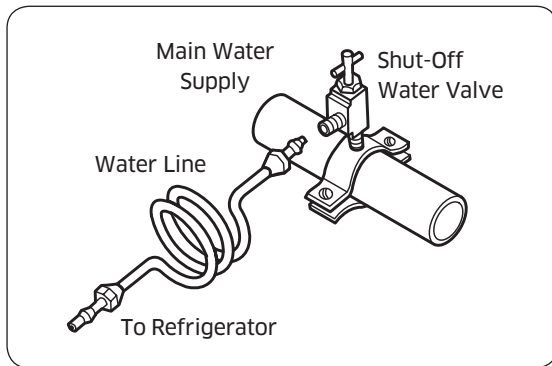
Installation instructions

Water pressure requirements



A cold water supply with water pressure between 30 and 120 psi (207 and 827 kPa) is required to operate the water dispenser and ice maker.

If you have questions about your water pressure, call a licensed, qualified plumber.



Reverse osmosis system in the water supply

IMPORTANT: The pressure of the water supply leaving a reverse osmosis system going to the refrigerator's water inlet valve must be between 30 and 120 psi (207 and 827 kPa).

The water pressure from the cold water supply to the reverse osmosis system needs to be a minimum of 40 to 60 psi (276 to 414 kPa).

WARRANTY INFORMATION

This water line installation is not covered by the refrigerator or ice maker manufacturer's warranty.

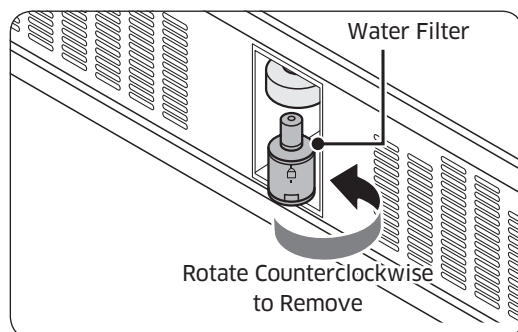
Follow these instructions carefully to minimise the risk of expensive water damage.

The water line must be connected to the cold water pipe. If it is connected to the hot water pipe, it may cause the filter to malfunction.

NOTE

If the coupler does not fit on the current tap, go to the nearest authorised service dealer and purchase the right fittings.

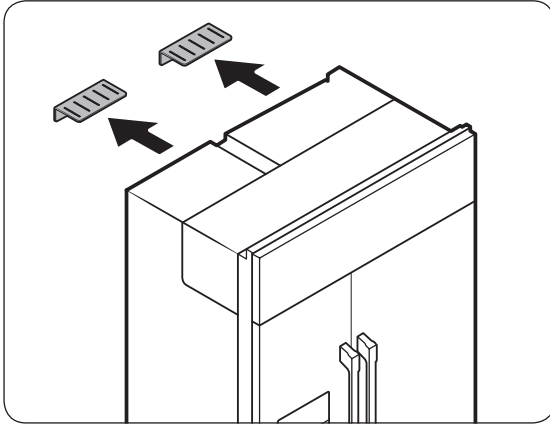
Water line installation



- This refrigerator is bypassed automatically if water filter is removed.
- To remove or change the water filter, open the top grille.
- Rotate the water filter counterclockwise until removed.
- Insert new water filter and rotate the filter clockwise until tightly secured in place.

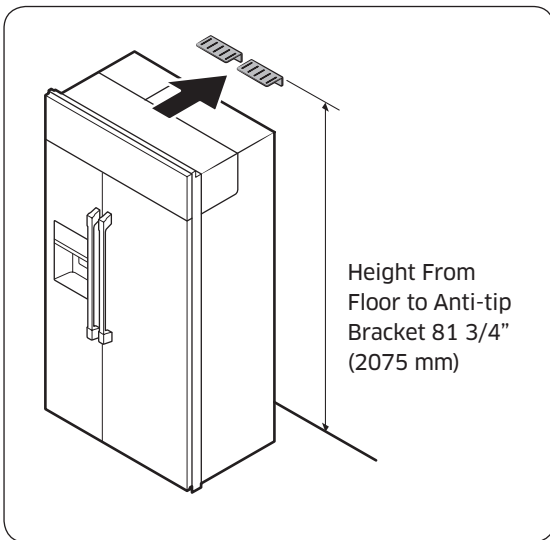
Installation instructions

Move to the anti-tip brackets



The specified height of the installed refrigerator is 2075 mm, which is the sum of the rear height (2068 mm) of the refrigerator and the thickness of the anti-tip bracket (7 mm).

1. Fix the anti-tip brackets on the rear wall using screws. To ensure proper alignment, mark a line at the specified height on the rear wall beforehand.
2. Tape the power plug to the top of the refrigerator so that the plug does not fall off.
3. Move the refrigerator all the way back to the anti-tip brackets until it fits in. Make sure the refrigerator is secured to the brackets.



CAUTION

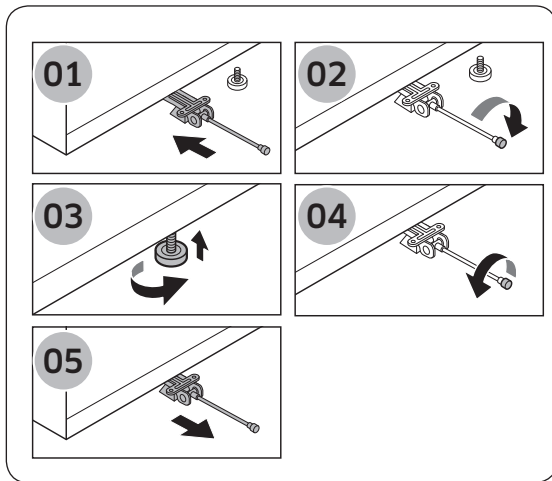
While moving the refrigerator, use caution not to pinch the power plug behind the back of the refrigerator.

Connect power

- Connect refrigerator power cord plug to a properly earthed receptacle.
- Check to make sure power to refrigerator is on by opening refrigerator door to see if interior lights are on.

Level refrigerator

Before installing refrigerator, assemble the leveling legs carried with installation parts.



⚠ CAUTION

After assemble the leveling legs possible to be damaged the floor due to small gap between leveling legs and floor.

First, push the jack between a caster and evaporation tray with caring for water hose.

Second, lift the refrigerator up turning clockwise the jack.

And then, insert the leveling legs fully.

📄 NOTE

The refrigerator must be level. If it is not, the doors may not align evenly at the top.

⚠ CAUTION

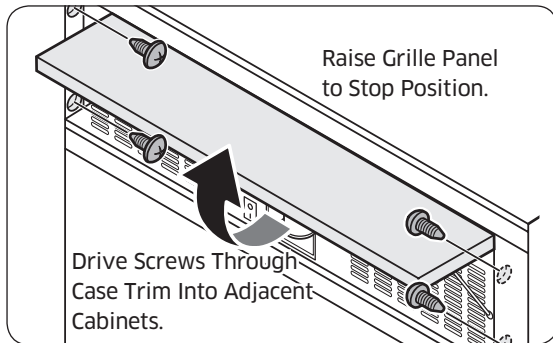
The rear leveling legs and front leveling legs are limited to a maximum height adjustment of 3/4" (20 mm). If the installation requires more than 2118 mm height, the installer should elevate the refrigerator on a sheet of plywood or runners. Cabinet trim could be added across the top of the opening to shorten the opening.

If you attempt to raise the refrigerator more than 20 mm you will damage the front and rear leveling legs.

Installation instructions

Secure refrigerator to furniture

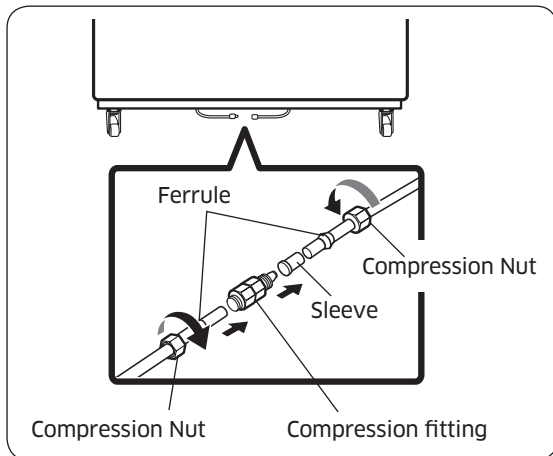
Whenever possible, perform this step for anti-tip security.



The refrigerator must be secured to prevent tipping.

- Raise the grille panel to access case trim.
- Drive a screw through the trim and into the adjacent FURNITURE using holes provided.
- Follow the same procedure on the opposite side.

Connect water supply



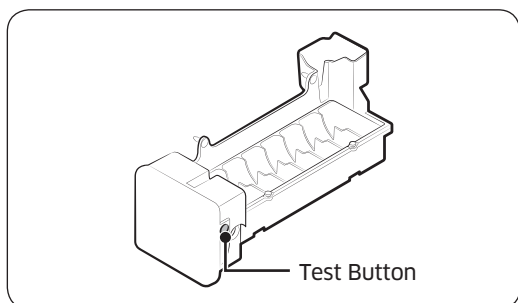
Connect a hose from refrigerator and water line, installed to water pipe like above figure.

- Turn on the water to check for leaks.

NOTE

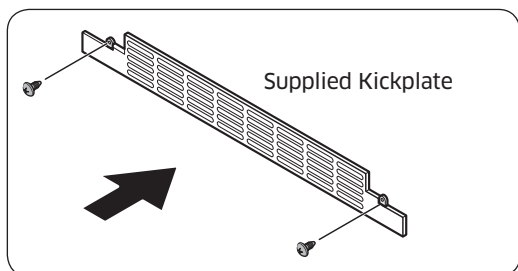
Make sure excess tubing length does not interfere with kickplate installation.

Start icemaker



- Press the icemaker **Test Button** at the upper part of the freezer compartment for 2 seconds.
 - After the ice tray rotates, it goes back to its initial position. When it completes its rotation and water is supplied to the supply line, the operation of the icemaker is normal.
- Discard the first full bucket of ice cubes.

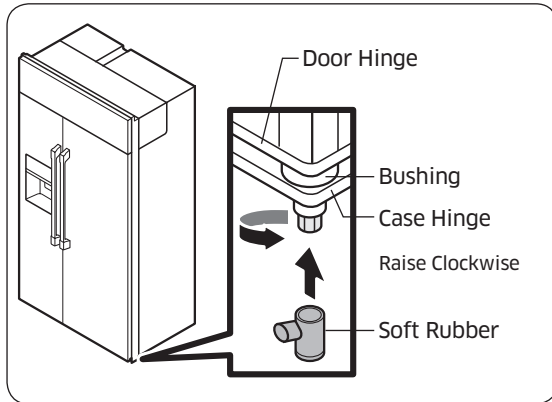
Install kickplate



- Locate the supplied kickplate (shipped taped to the top of the refrigerator). Install with 2 screws provided.
- The vented kickplate must remain unobstructed for proper air flow.

Installation instructions

Door alignment



- Stand back from the refrigerator to inspect the door alignment.
- Shipping or the addition of heavy door panels may have caused the doors to move slightly out of alignment.
- If necessary, the Fresh Food door may be adjusted up or down to align with the Freezer door.
- After removing the Soft rubber, loosen the leveling mechanism.
- To adjust the leveling leg, use a Philips screwdriver to loosen the screw. Then, use a 7/32" (6 mm) wrench to adjust the hinge pin.
- Tighten the leveling mechanism.
- Cover the lower part of the leveling mechanism with cap (soft rubber).

NOTE

After the unit has been leveled, if the fresh food door is higher than the freezer door, adjust the front right leveling leg lower to align the doors and, if required, raise the left leveling leg to level the unit side to side.

Memo



DA68-03583B-00

dacor[®]



dacor[®]

Instrucciones de instalación

Refrigerador incorporado

DRS4253****



Contenido

Antes de comenzar...	4
Importante	4
Seguridad del refrigerador	5
Instrucciones importantes de seguridad	5
Advertencias de la Proposición 65 del Estado de California	6
Seguridad de la instalación	7
Seguridad de la instalación y la ubicación	7
Radio de inclinación	9
Radio de inclinación	9
Requisitos de instalación	10
Preparación para la instalación	10
Requisitos para la abertura recortada	12
Especificaciones del producto	14
Dimensiones del refrigerador	14

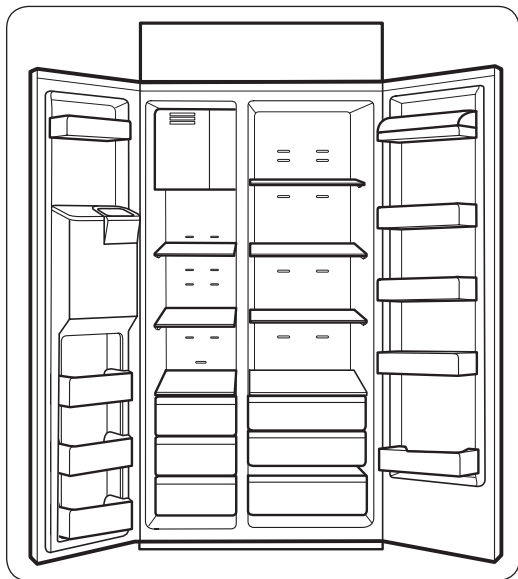


Instrucciones de instalación	16
Conexión a tierra del refrigerador	16
Conexión al suministro de agua principal	17
Quitar el empaque	18
Comprobación del conducto del dispensador de agua	19
Instalación del conducto de agua	21
Desplazamiento hasta los soportes antivuelco	22
Conexión de la alimentación	22
Nivelación del refrigerador	23
Sujeción del refrigerador a los muebles	24
Conexión del suministro de agua	24
Inicio de la fábrica de hielo	25
Instalación de la placa de protección	25
Alineación de las puertas	26

Antes de comenzar...

Importante

Antes de comenzar...



Instalador

- Por razones de seguridad y para minimizar los problemas, lea atentamente este manual de instrucciones de instalación en su totalidad antes de comenzar la instalación. Déjele estas instrucciones de instalación al usuario.
- Además, escriba el modelo y número de serie de los electrodomésticos que está instalando a continuación para que el usuario pueda consultarlos en el futuro.
- Esta información figura en la etiqueta adhesiva de datos que se encuentra en el interior del refrigerador.

Usuario

- Guarde este manual de instrucciones de instalación para futuras necesidades y para la referencia del inspector local.

GUARDE ESTAS INSTRUCCIONES

Seguridad del refrigerador

Instrucciones importantes de seguridad

Las instrucciones importantes de seguridad y las advertencias que aparecen en estas instrucciones no tienen por objeto cubrir todos los posibles problemas y condiciones que pueden ocurrir.

Utilice el sentido común y tenga precaución al instalar, mantener u operar este o cualquier otro electrodoméstico.

Siempre póngase en contacto con el equipo de servicio al cliente de Dacor por cualquier problema o condiciones que no entienda.

Etiquetas y símbolos de seguridad

Estas alertas están destinadas a llamar la atención sobre áreas importantes en el manual. Siempre que vea estos símbolos o etiquetas, lea el mensaje atentamente antes de continuar.

⚠ PELIGRO

Riesgos inminentes que **CAUSARÁN** lesiones físicas graves o la muerte.

⚠ ADVERTENCIA

Riesgos o prácticas inseguras que **PUEDEN** causar lesiones físicas graves o la muerte.

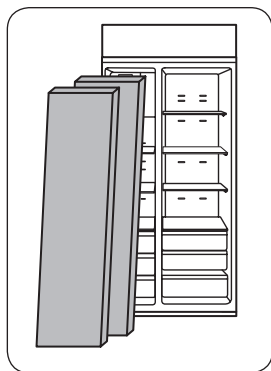
⚠ PRECAUCIÓN

Riesgos o prácticas inseguras que **PODRÍAN** causar lesiones físicas leves o daños materiales.

Eliminación apropiada de su viejo refrigerador

IMPORTANTE: El riesgo de que los niños resulten asfixiados o queden atrapados no son problemas del pasado. Los refrigeradores desechados o abandonados siguen siendo peligrosos, aunque estén allí “sólo unos días”.

Si va a deshacerse de su refrigerador viejo, siga estas instrucciones para prevenir accidentes.



Antes de desechar su antiguo refrigerador o congelador:

- Retire las puertas.
- Deje los estantes en su lugar de manera tal que los niños no puedan trepar fácilmente.

GUARDE ESTAS INSTRUCCIONES



Seguridad del refrigerador

PELIGRO

Para evitar posibles explosiones o incendios, no guarde ni utilice vapores o líquidos inflamables o explosivos (como gasolina) dentro o cerca de este o de cualquier otro electrodoméstico. También mantenga los objetos que podrían explotar, como latas de aerosol, lejós de quemadores de estufa, hornos y campanas de cocina. No almacene materiales inflamables o explosivos en gabinetes o áreas adyacentes.

ADVERTENCIA

PARA REDUCIR EL RIESGO DE INCENDIO, DESCARGA ELÉCTRICA O LESIONES PERSONALES, RESPETE LAS SIGUIENTES RECOMENDACIONES:

- A. Utilice esta unidad solo de la manera indicada por el fabricante. Si tiene preguntas, póngase en contacto con el fabricante.
- B. Antes de realizar el mantenimiento o la limpieza de la unidad, desenchufe el cable de alimentación de la toma de pared y cierre con llave el panel del disyuntor. Si el panel del disyuntor no se puede cerrar, coloque un dispositivo de advertencia prominente, tal como una etiqueta, en el panel de servicio.

Advertencias de la Proposición 65 del Estado de California

ADVERTENCIA

Cáncer y afecciones reproductivas - www.P65Warnings.ca.gov.

ADVERTENCIA

Peligro de asfixia

Retire las puertas del refrigerador viejo:

De lo contrario, los niños pueden quedar atrapados en el interior sin aire, lo que podría provocarles la muerte o daño cerebral.

Información importante sobre la eliminación de refrigerantes:

Deseche el refrigerador de acuerdo con las regulaciones federales y locales. Los refrigerantes deben ser evacuados por un técnico autorizado certificado por EPA de acuerdo con los procedimientos establecidos.

GUARDE ESTAS INSTRUCCIONES



Seguridad de la instalación

Seguridad de la instalación y la ubicación

ADVERTENCIA

- Antes de instalar el refrigerador, conéctelo a un tomacorriente y enciéndalo para asegurarse de que funcione.
- Elija un lugar alejado del calor de calentadores, calderas o la luz solar directa.
- Instale la unidad donde el aire fluya libremente y donde el refrigerador esté bien ventilado.
- Instale la unidad de modo que el aire fluya sin obstrucciones a través de la parrilla delantera. Si no se asegura la circulación del aire, esto puede interferir con el funcionamiento normal del producto.
- Ciertos animales (roedores) pueden masticar el cable de alimentación y provocar un incendio; por lo tanto, instale la unidad en un lugar donde los animales no puedan acceder.
- Si el gabinete está hecho de material blando (por ejemplo, yeso, etc.), puede tener una estructura débil y dañarse. Por lo tanto, utilice un gabinete de material robusto y resistente.
- Instale el refrigerador con un equipo de al menos 2 personas.
- Consulte las dimensiones del gabinete y prepárelo con buena circulación de aire.
- Utilice un gabinete que no se deforme debido a las emisiones de calor del producto o a la humedad por la apertura y cierre del refrigerador.

NOTA

Si las puertas del lugar son demasiado pequeñas para que el refrigerador pase, las puertas del refrigerador se pueden quitar.

Este es un refrigerador de estilo “incorporado”, lo que significa que debe ser instalado dentro de un hueco en gabinetes de cocina existentes.

Antes de mover el refrigerador, despeje el camino hasta el lugar donde se instalará.

Verifique todas las dimensiones del producto y el radio de inclinación con cualquier puerta, pasillo, escalera, esquina, etc., para asegurar un paso sin obstrucciones.

Seguridad de la instalación

ADVERTENCIA



Peligro de caída

El refrigerador es muy pesado en la parte superior y se inclina fácilmente cuando no está bien instalado.

Mantenga las puertas cerradas con cinta adhesiva hasta que el refrigerador esté en su posición final y listo para ser asegurado en su lugar.

Hacen falta dos o más personas para trasladar e instalar el refrigerador.

De lo contrario, podría sufrir lesiones graves o incluso la muerte.

PELIGRO



Riesgo de explosión

Mantenga los materiales y vapores inflamables, como la gasolina, lejos del refrigerador.

No hacerlo puede provocar la muerte, una explosión o un incendio.

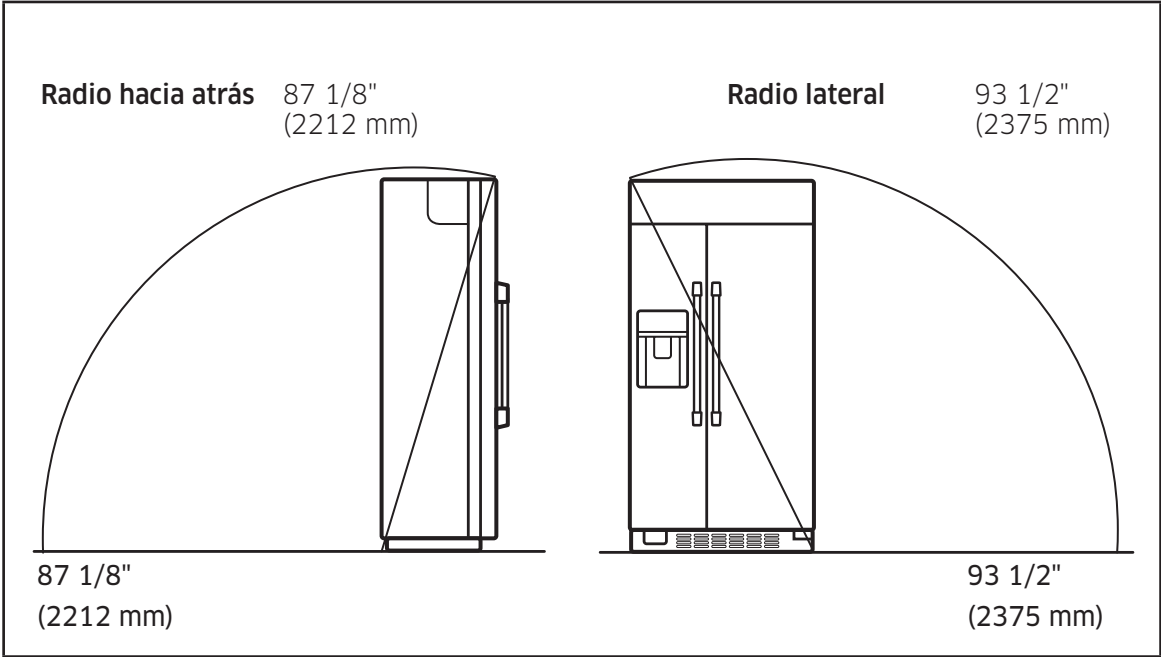
Radio de inclinación

Radio de inclinación

⚠ ADVERTENCIA

Debido a que el refrigerador es muy pesado en la parte superior, se inclina fácilmente cuando no está bien fijado al gabinete.

A continuación se muestra la medición del radio desde la parte superior del refrigerador hasta el piso:

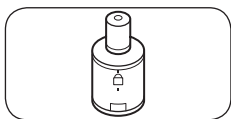


Radio de inclinación

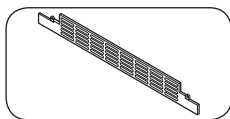
Requisitos de instalación

Preparación para la instalación

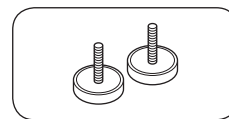
Hardware suministrado



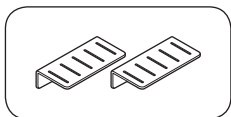
Filtro



Placa de protección

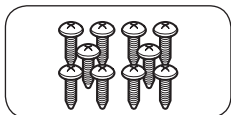


Tornillo de placa de protección x 2 uds.

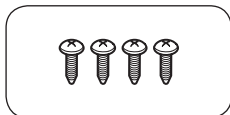


Soportes antivuelco x 2 uds.

Bolsa de PE

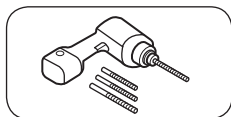


Tornillo de rosca L16 x 10 uds.

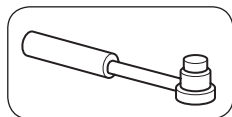


Tornillo de rosca L20 x 4 uds.

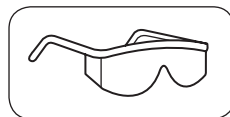
Herramientas necesarias



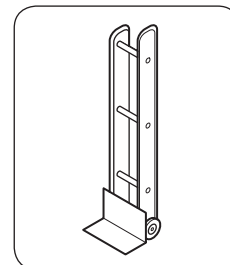
Taladro y brocas



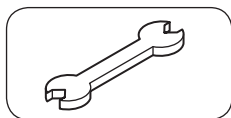
Zócalos (6, 12 mm)



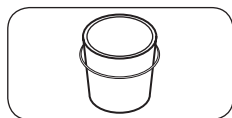
Gafas de seguridad



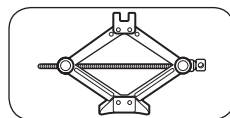
Carrito de electrodomésticos



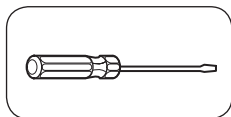
Llaves de boca abierta (11, 12 mm)



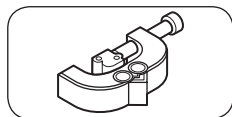
Cubeta



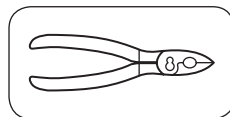
Gato x 2 uds.



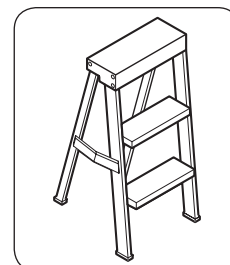
Destornillador de punta chata



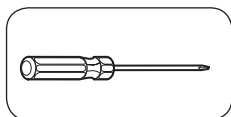
Cortador de tubos



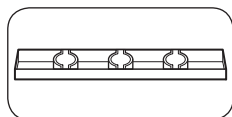
Pinzas



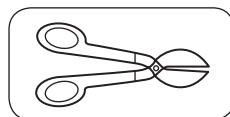
Escalera de tijera



Destornillador Phillips



Nivel



Tijeras para hojalata

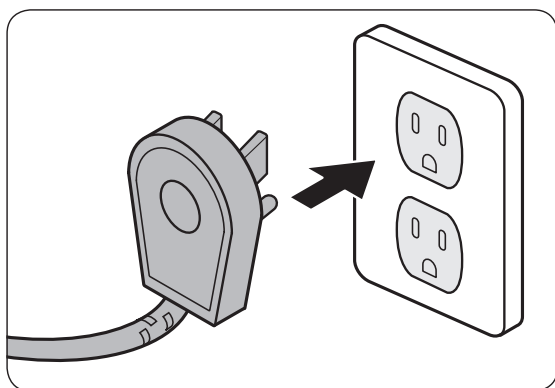
Requisitos de instalación

Requisitos para la abertura recortada

Dimensiones de la abertura recortada (An. x Al. x Prof.):

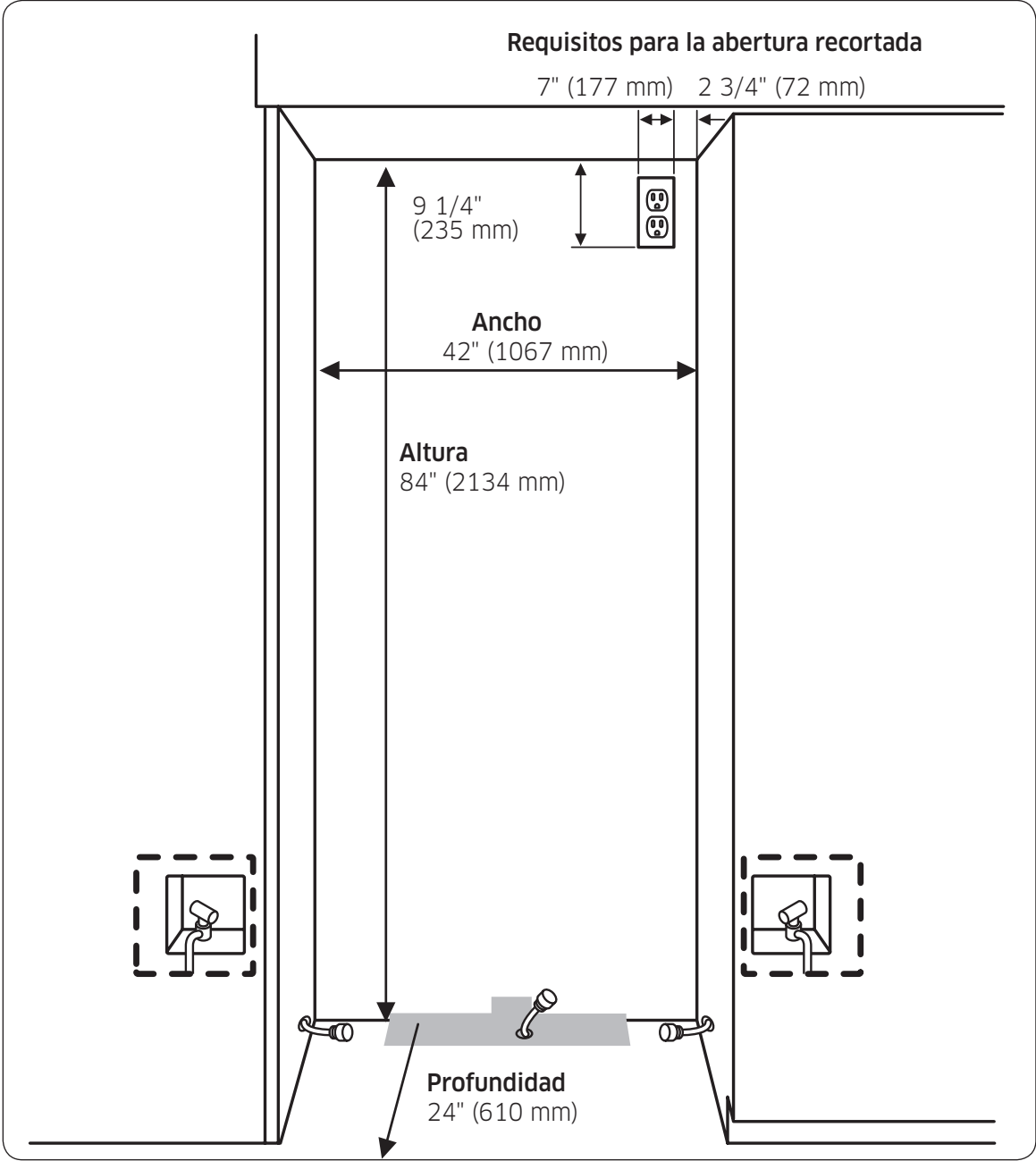
42" x 84" x 24" (1067 x 2134 x 610 mm)

- Instale el refrigerador de modo que pueda retirarse de la pared si es necesario realizar tareas de servicio.
- El piso debajo del refrigerador debe estar nivelado con el piso de la cocina. (El refrigerador no puede estar en un piso elevado o más bajo.)
- La cara de los gabinetes circundantes debe estar aplomada.
- El conducto de agua puede entrar en la abertura a través del suelo o la pared trasera. El conducto de agua debe utilizarse para la conexión suministrada entre la tubería de agua fría y la ubicación de la conexión de agua. El conducto debe ser lo suficientemente largo como para extenderse hasta el frente del refrigerador. Se requiere la instalación de una válvula de cierre de fácil acceso en el conducto de agua.
- Se recomienda utilizar una alfombrilla para evitar que el piso se dañe.



⚠ ADVERTENCIA

- Asegúrese de que haya una toma de tierra de 3 clavijas exclusiva para suministrar energía eléctrica al refrigerador.
- Utilice un cable de alimentación de 3 clavijas conectado directamente a la toma de tierra. No modifique un cable de alimentación de 2 clavijas ni utilice una toma múltiple.
- Asegúrese de que haya un fácil acceso al suministro principal de agua de la casa en el lugar donde se colocará el refrigerador. El agua es necesaria para la fábrica de hielo y el dispensador de agua potable del refrigerador.
- Vea las localizaciones sugeridas del conducto de agua en la imagen a continuación.



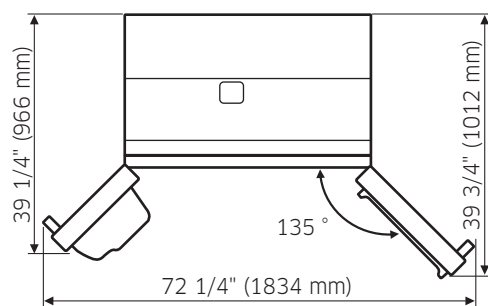
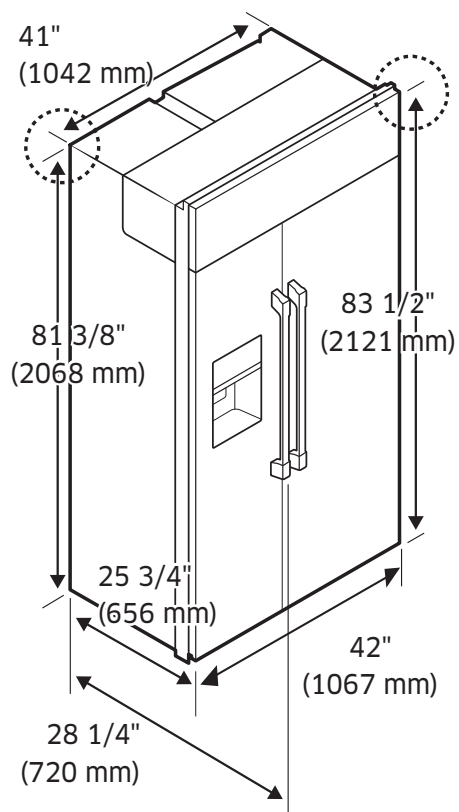
Requisitos de instalación

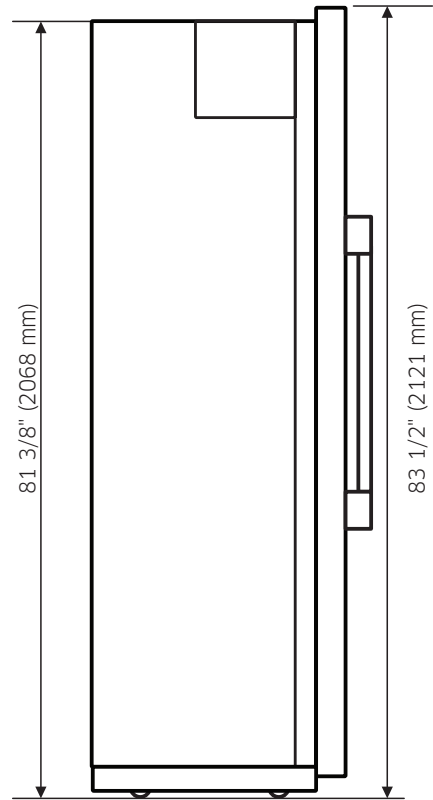
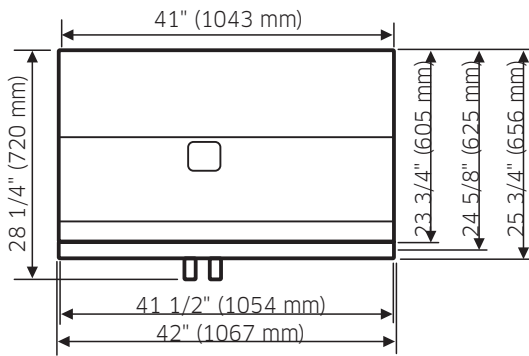
Especificaciones del producto

Dimensiones del refrigerador

Dimensiones externas (An. x Al. x Prof.): 42" x 83 1/2" x 28 1/4" (1067 x 2121 x 720 mm)

Consulte las imágenes y la tabla que aparecen a continuación y en la siguiente página para conocer los requisitos de espacio de instalación.





NOTA

Las medidas de su refrigerador pueden diferir de las que figuran anteriormente, dependiendo del método de medición.

Instrucciones de instalación

Conexión a tierra del refrigerador

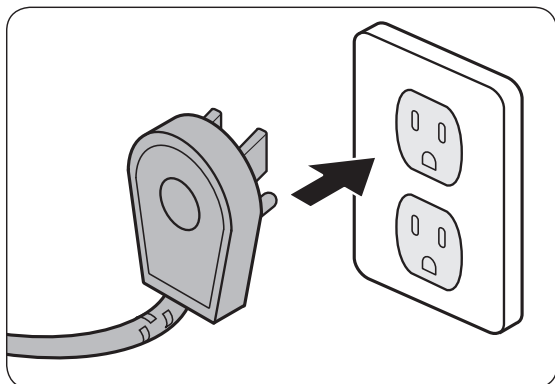
PRECAUCIÓN

PARA SU SEGURIDAD PERSONAL, ESTE ELECTRODOMÉSTICO DEBE ESTAR CORRECTAMENTE CONECTADO A TIERRA.

El cable de alimentación de este electrodoméstico cuenta con un enchufe de tres pines (con conexión a tierra) que se conecta al tomacorriente de tres pines (con conexión a tierra) para minimizar la posibilidad de descargas eléctricas de este electrodoméstico.

Un electricista calificado debe verificar el tomacorriente de pared y el circuito para asegurarse de que el tomacorriente tenga una conexión a tierra adecuada.

En el caso de un tomacorriente de pared estándar de dos pines, será su responsabilidad y obligación personal encargarse del reemplazo por un tomacorriente de pared de tres clavijas con conexión a tierra.



BAJO NINGUNA CIRCUNSTANCIA CORTE O QUILTE EL TERCER PIN (CONEXIÓN A TIERRA) DEL CABLE DE ALIMENTACIÓN.

NO UTILICE UN ENCHUFE ADAPTADOR PARA CONECTAR EL REFRIGERADOR A UN TOMACORRIENTE DE 2 PINES.

NO UTILICE UN CABLE PROLONGADOR CON ESTE ELECTRODOMÉSTICO.

ADVERTENCIA



Riesgo de descarga eléctrica

Enchufe a un tomacorriente de 3 clavijas exclusivo, conectado a tierra.

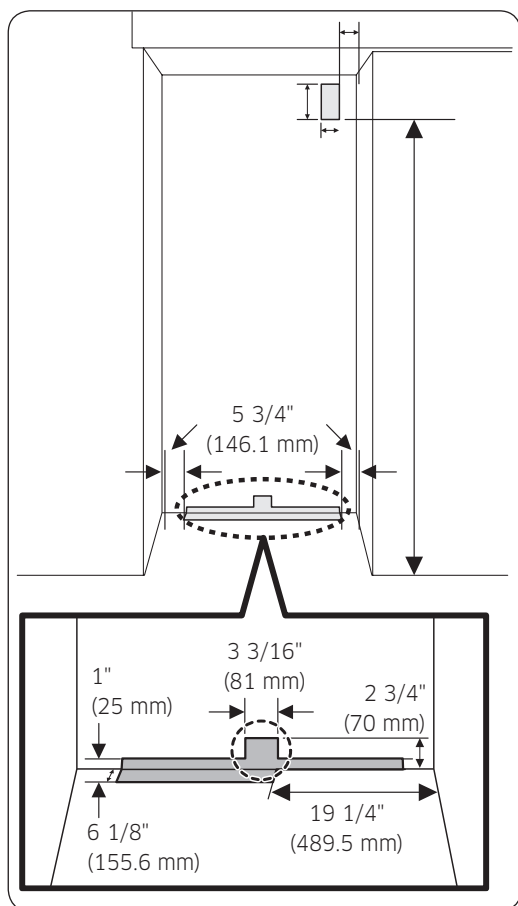
No retire la clavija de conexión a tierra.

No utilice un adaptador.

No utilice un cable prolongador.

No seguir estas instrucciones puede provocar la muerte, un incendio o una descarga eléctrica.

Conexión al suministro de agua principal



Antes de conectar el conducto de agua del refrigerador al suministro principal de agua de la casa, se debe conocer la disposición de las tuberías de la casa.

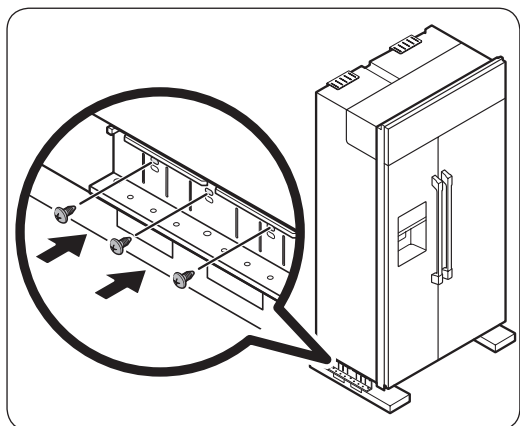
1. Decida la mejor manera de utilizar la disposición de las tuberías, luego
2. Acceda al conducto principal de agua siguiendo estos requisitos:
 - El instalador debe proporcionar el conducto de agua de 5/16 pulgadas (8 mm) y todos los accesorios.
 - El conducto de agua debe ser lo suficientemente largo como para permitir el traslado del refrigerador para la limpieza y el mantenimiento del piso, sin necesidad de desconectar primero el conducto.
 - Todas las nuevas instalaciones deben cumplir con los requisitos del código de plomería local.
 - El cierre de agua debe colocarse en el gabinete de la base en cualquiera de los laterales del refrigerador (se recomienda el lado derecho) o en alguna otra zona de fácil acceso.
 - Si la válvula de cierre de agua se coloca en la pared trasera detrás del refrigerador, debe quedar en un ángulo que impida que el conducto de agua se doble cuando el refrigerador sea empujado a su posición final.
 - Asegúrese de que la tubería de suministro de agua esté dentro del rango que se muestra en las ilustraciones de la derecha.

Instrucciones de instalación

Quitar el empaque

⚠ PRECAUCIÓN

El refrigerador es **muy pesado en la parte superior** – tenga cuidado al trasladarlo. Cuando utilice un carrito de electrodomésticos, manéjelo únicamente desde el lado del congelador.



- Corte con cuidado las bandas en la parte superior e inferior, retire el embalaje de cartón exterior.
- Deslice hacia fuera los postes esquineros traseros (2).
- Deslice y retire el cartón de la parte superior del gabinete.

📄 NOTA

¡No coloque el gabinete hacia abajo para quitar la plataforma!

- La unidad está sujeta a la plataforma con seis pernos de 1/2" (11 mm).
- Retire los seis pernos de 11 mm que sujetan los soportes metálicos al refrigerador.
- Incline la unidad hacia arriba desde el lado del congelador hacia el lado de los alimentos frescos.
- Empuje los pernos hacia abajo, retire el soporte metálico del lado del congelador.
- Deslice el carrito de electrodomésticos debajo del lado del congelador.
- Utilizando postes esquineros (2 en las esquinas delanteras) para evitar daños, fije la unidad al carrito de electrodomésticos.

📄 NOTA

Si los postes esquineros son demasiado largos, córtelos.

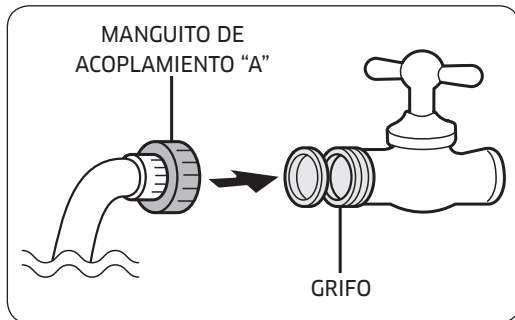
- Levante la unidad de la plataforma con el carrito de electrodomésticos.
- Retire la placa de protección pegada en la parte superior de la unidad.
- Deje a un lado la placa de protección para la instalación final.

⚠ PRECAUCIÓN

- No intente hacer rodar o arrastrar la unidad hasta que esté fuera de la plataforma.
- Asegúrese de que el conducto de agua esté fuera del carrito de electrodomésticos para evitar daños.

Comprobación del conducto del dispensador de agua

- A fin de que la fábrica de hielo funcione correctamente, se necesita una presión de agua de 30 y 120 psi (207 y 827 kPa).
- El filtro de agua elimina partículas. No esteriliza ni destruye ningún microorganismo.
- Si el refrigerador se instala en una zona con baja presión de agua (inferior a 30 psi (207 kPa)), debería instalar una bomba cebadora para compensar la baja presión.
- Asegúrese de que el tanque de almacenamiento de agua dentro del refrigerador esté correctamente lleno al inicio. Empuje la palanca del dispensador de agua hasta que salga el aire del tanque y se suministre una corriente continua de agua.



Realice la conexión al conducto de suministro de agua

Conecte la tubería con el acoplador y el grifo.

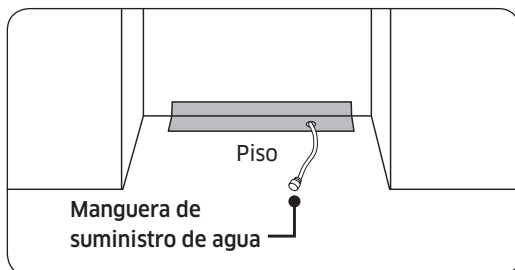
- Cierre el grifo de agua principal.
- Conecte el acoplador "A" al grifo.
- Cada junta debe sellarse con cinta adhesiva.

⚠ PRECAUCIÓN

Se recomienda que un plomero instale una válvula de presión (30 psi (207 kPa)).

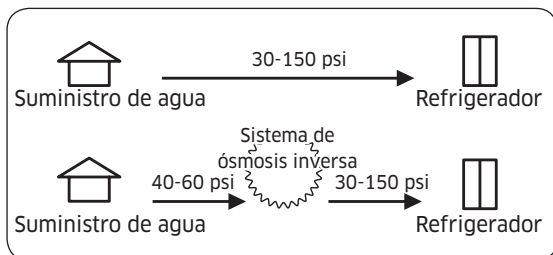
📄 NOTA

El conducto de agua suministrado y la válvula de conexión deben conectarse a la tubería de agua.



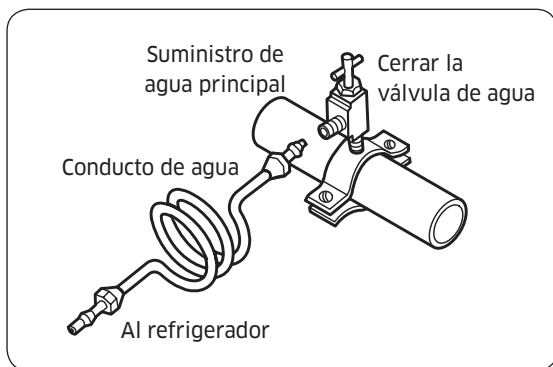
Instrucciones de instalación

Requisitos de presión de agua



Se requiere un suministro de agua fría con presión entre 30 y 120 psi (207 y 827 kPa) para hacer funcionar el dispensador de agua y la fábrica de hielo.

Si tiene dudas sobre la presión del agua, llame a un instalador calificado autorizado.



Sistema de ósmosis inversa en el suministro de agua

IMPORTANTE: La presión del suministro de agua que sale del sistema por ósmosis inversa y va a la válvula de entrada de agua del refrigerador debe estar entre 30 y 120 psi (207 y 827 kPa).

La presión de agua desde el suministro de agua fría al sistema de ósmosis inversa debe ser de 40 a 60 psi (276 a 414 kPa) como mínimo.

INFORMACIÓN SOBRE LA GARANTÍA

Esta instalación del conducto de agua no está cubierta por la garantía del fabricante del refrigerador o la fábrica de hielo.

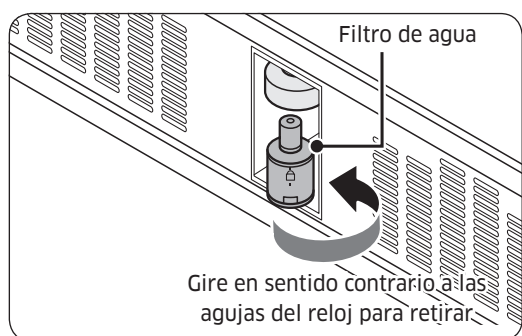
Siga estas instrucciones cuidadosamente para minimizar el riesgo de daños costosos ocasionados por el agua.

El conducto de agua debe conectarse a la tubería de agua fría. Si se conecta a la tubería de agua caliente, el filtro puede funcionar mal.

NOTA

Si el acoplador no encaja en el grifo, vaya al distribuidor de servicio autorizado más cercano y compre los accesorios adecuados.

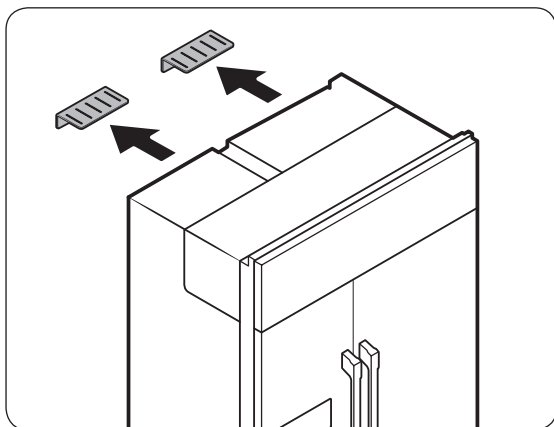
Instalación del conducto de agua



- Este refrigerador se anula automáticamente si se quita el filtro de agua.
- Para retirar o cambiar el filtro, abra la rejilla superior.
- Gire el filtro en el sentido contrario a las agujas del reloj hasta retirarlo.
- Inserte un nuevo filtro y gírelo en el sentido de las agujas del reloj hasta que quede firmemente asegurado en su lugar.

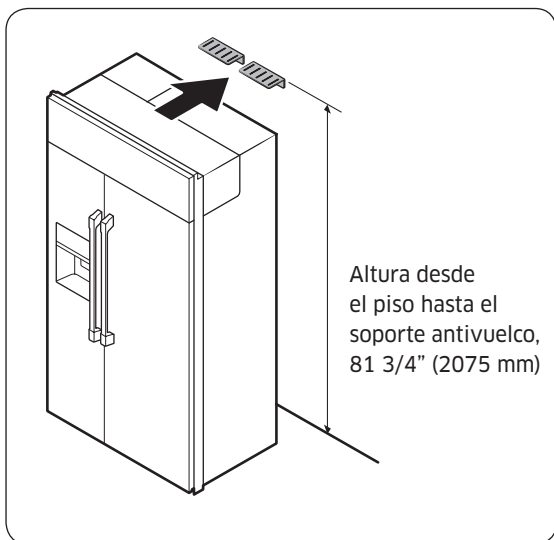
Instrucciones de instalación

Desplazamiento hasta los soportes antivuelco



La altura especificada del refrigerador instalado es de 2075 mm, suma de la altura trasera (2068 mm) del refrigerador y del grosor del soporte antivuelco (7 mm).

1. Fije los soportes antivuelco en la pared posterior mediante tornillos. Para asegurar una alineación correcta, antes trace una línea a la altura especificada de la pared posterior.
2. Adhiera el enchufe a la parte superior del refrigerador para evitar que caiga.
3. Desplace el refrigerador hacia atrás hasta que encaje en los soportes antivuelco. Asegúrese de que el refrigerador queda bien asegurado en los soportes.



⚠ PRECAUCIÓN

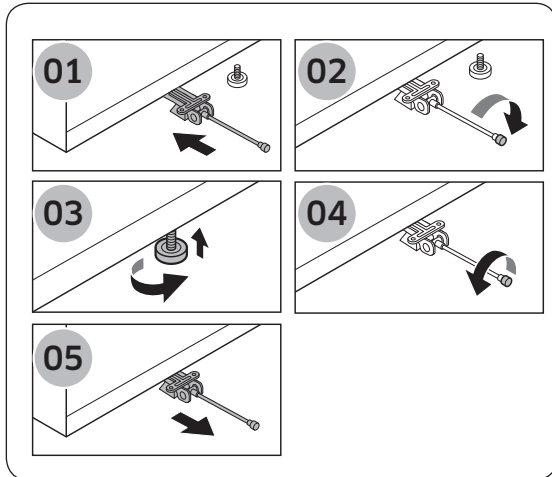
Cuando mueva el refrigerador, tenga cuidado de que el enchufe no quede atrapado en la parte posterior del electrodoméstico.

Conexión de la alimentación

- Conecte el enchufe del cable de alimentación del refrigerador a un tomacorriente con conexión a tierra.
- Para asegurarse de que está encendido, abra la puerta del refrigerador y vea si las luces interiores están encendidas.

Nivelación del refrigerador

Antes de instalar el refrigerador, ensamble las patas de nivelación que vienen con las piezas de instalación.



⚠ PRECAUCIÓN

Después de ensamblar las patas de nivelación, el piso podría dañarse debido a la pequeña brecha entre las patas y el suelo. En primer lugar, empuje el gato entre la rueda y la bandeja de evaporación con cuidado de no dañar la manguera de agua. En segundo lugar, eleve el refrigerador girando el gato en el sentido de las agujas del reloj. Y, luego, inserte las patas de nivelación completamente.

📄 NOTA

El refrigerador debe estar nivelado. De lo contrario, es posible que las puertas no se alineen uniformemente en la parte superior.

⚠ PRECAUCIÓN

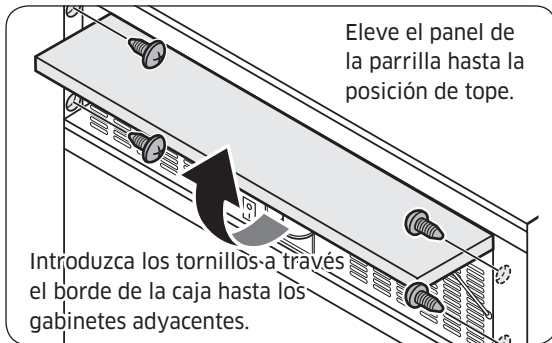
Las patas de nivelación traseras y delanteras tienen un límite de ajuste de altura máximo de 3/4" (20 mm). Si la instalación requiere más de 2118 mm de altura, el instalador debe elevar el refrigerador sobre una hoja de madera contrachapada o correedores. El borde del gabinete podría agregarse a través de la parte superior de la abertura para acortarla.

Si intenta elevar el refrigerador más de 20 mm, dañará las patas de nivelación delanteras y traseras.

Instrucciones de instalación

Sujeción del refrigerador a los muebles

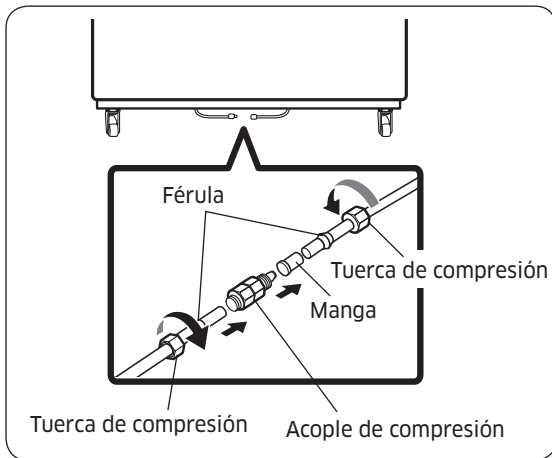
Siempre que sea posible, realice este paso para una mayor seguridad antivuelco.



El refrigerador debe asegurarse para evitar que se caiga.

- Levante el panel de la parrilla para acceder al borde de la caja.
- Introduzca un tornillo a través del borde hasta el MUEBLE adyacente usando los orificios proporcionados.
- Siga el mismo procedimiento en el lado opuesto.

Conexión del suministro de agua



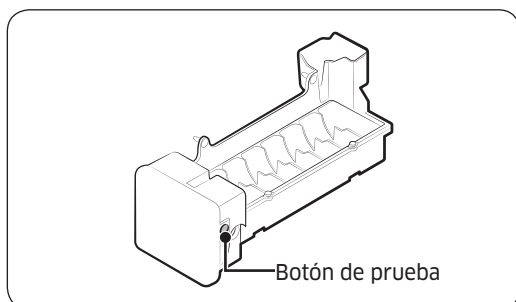
Conecte una manguera desde el refrigerador y el conducto de agua, instalada en la tubería de agua como se muestra en la figura de arriba.

- Abra el grifo de agua para verificar que no haya fugas.

NOTA

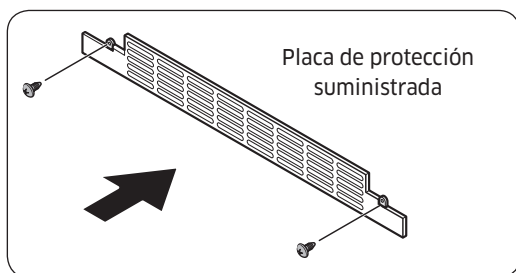
Asegúrese de que el exceso de longitud de la tubería no interfiera con la instalación de la placa de protección.

Inicio de la fábrica de hielo



- Presione el **botón de prueba** de la fábrica de hielo en la parte superior del compartimiento del congelador durante 2 segundos.
 - Después de que la bandeja de hielo gira, vuelve a su posición inicial. Cuando completa su rotación y se suministra agua a la línea de suministro, el funcionamiento de la fábrica de hielo es normal.
- Deseche la primera cubeta llena de cubitos de hielo.

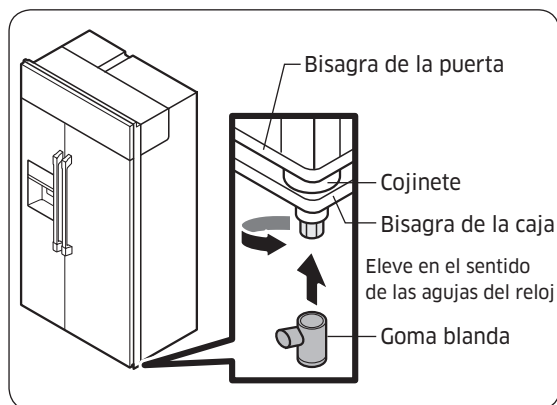
Instalación de la placa de protección



- Localice la placa de protección suministrada (se envía pegada con cinta adhesiva a la parte superior del refrigerador). Se debe instalar con los 2 tornillos provistos.
- La placa con ventilación debe permanecer sin obstrucciones para permitir el flujo de aire adecuado.

Instrucciones de instalación

Alineación de las puertas



- Aléjese del refrigerador para inspeccionar la alineación de las puertas.
- El envío o la adición de los paneles pesados de las puertas pueden haber causado que las puertas se desalíneen ligeramente.
- Si es necesario, la puerta de alimentos frescos se puede ajustar hacia arriba o hacia abajo para alinearla con la puerta del congelador.
- Después de retirar la goma blanda, afloje el mecanismo de nivelación.
- Para ajustar la pata de nivelación, utilice un destornillador Phillips para aflojar el tornillo. A continuación, utilice una llave de 7/32" (6 mm) para ajustar el pasador de la bisagra.
- Apriete el mecanismo de nivelación.
- Cubra la parte inferior del mecanismo de nivelación con tapa (goma blanda).

NOTA

Cuando la unidad esté nivelada, si la puerta de los alimentos frescos es más alta que la del congelador, ajuste la pata de nivelación delantera derecha hacia abajo para alinear las puertas y, si es necesario, eleve la pata de nivelación izquierda para nivelar la unidad de lado a lado.

Notas



DA68-03583B-00

dacor[®]



dacor[®]

Instructions d'installation

Réfrigérateur encastré

DRS4253****



Table des matières

Avant de commencer...	4
Important	4
Sécurité relative au réfrigérateur	5
Consignes importantes relatives à la sécurité	5
Avertissement de la proposition 65 de l'État de Californie	7
Sécurité lors de l'installation	8
Emplacement et sécurité lors de l'installation	8
Rayon de basculement	10
Rayon de basculement	10
Exigences relatives à l'installation	11
Préparation à l'installation	11
Découpes nécessaires	13
Caractéristiques techniques de l'appareil	15
Dimensions du réfrigérateur	15

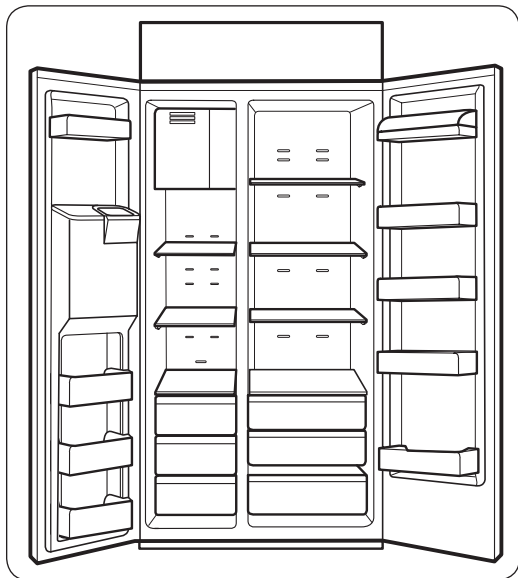


Instructions d'installation	17
Mise à la terre du réfrigérateur	17
Raccordement à l'arrivée d'eau principale	18
Retrait de l'emballage	19
Vérification du circuit du distributeur d'eau	20
Installation du tuyau d'eau	22
Passage aux supports anti-basculement	23
Branchement électrique	23
Mise à niveau du réfrigérateur	24
Fixation du réfrigérateur dans le meuble	25
Raccordement de l'arrivée d'eau	25
Démarrage de la machine à glaçons	26
Installation de la plinthe	26
Alignement des portes	27

Avant de commencer...

Important

Avant de commencer...



Installateur

- Pour des questions de sécurité et afin de minimiser les problèmes, lisez attentivement et intégralement ce manuel d'instructions d'installation avant de commencer l'installation. Remettez ces instructions d'installation à l'utilisateur.
- De plus, inscrivez ci-dessous le nom du modèle et le numéro de série du ou des appareils que vous installez, de sorte que l'utilisateur puisse d'y reporter ultérieurement.
- Ces informations se trouvent sur l'étiquette autocollante de données, apposée à l'intérieur du réfrigérateur.

Utilisateur

- Conservez ce manuel d'instructions d'installation au cas où vous en auriez besoin à l'avenir et pour que l'inspecteur local puisse s'y reporter.

CONSERVEZ CES INSTRUCTIONS

Sécurité relative au réfrigérateur

Consignes importantes relatives à la sécurité

Les Consignes importantes relatives à la sécurité et les avertissements fournis dans les présentes instructions ne sont pas destinés à traiter tous les problèmes et conditions possibles pouvant survenir.

Faites preuve de bon sens et de précaution lors de l'installation, de la maintenance ou de l'utilisation de cet appareil ou de tout autre.

Prenez toujours contact avec l'équipe de service client Dacor en cas de problèmes ou de conditions que vous ne comprenez pas.

Étiquettes et symboles de sécurité

Ces alertes ont pour but d'attirer votre attention sur des éléments importants dans le manuel.

Dès lors que vous voyez ces symboles ou étiquettes, lisez attentivement le message correspondant avant de poursuivre.

DANGER

Dangers immédiats qui **PROVOQUERONT** des blessures graves voire mortelles.

AVERTISSEMENT

Pratiques dangereuses ou risquées qui **POURRAIENT PROVOQUER** des blessures graves voire mortelles.

ATTENTION

Pratiques inadaptées ou dangereuses qui **SERAIENT SUSCEPTIBLES DE PROVOQUER** des blessures légères ou des dommages matériels.

Procédure correcte de mise au rebut de votre ancien réfrigérateur

IMPORTANT : Il n'est pas nouveau que les enfants risquent de se retrouver enfermés ou de s'étouffer. Les réfrigérateurs jetés ou abandonnés sont encore dangereux, même s'ils ne restent là « que pour quelques jours ».

Si vous souhaitez vous débarrasser de votre ancien réfrigérateur, veuillez suivre les instructions ci-après pour empêcher les accidents.

CONSERVEZ CES INSTRUCTIONS



Sécurité relative au réfrigérateur



Avant de mettre au rebut votre ancien réfrigérateur ou congélateur :

- Retirez les portes.
- Ne retirez pas les clayettes afin que les enfants ne puissent pas facilement monter à l'intérieur de l'appareil.

DANGER

Afin d'éviter tout risque d'explosion ou d'incendie, ne stockez pas et n'utilisez pas de vapeurs et de liquides combustibles, inflammables ou explosifs (tels que de l'essence) à l'intérieur ou à proximité de cet appareil ou de tout autre. Conservez également tous les éléments qui risquent d'exposer (aérosols par exemple) à distance des brûleurs de table de cuisson, des fours et des hottes. Ne stockez pas de matériaux inflammables ou explosifs dans des meubles ou des endroits adjacents.

AVERTISSEMENT

AFIN DE RÉDUIRE TOUT RISQUE D'INCENDIE, D'ÉLECTROCUTION OU DE BLESSURE CORPORELLE, RESPECTEZ CE QUI SUIT :

- A. Utilisez cet appareil uniquement de la façon prévue par le fabricant. Si vous avez des questions, prenez contact avec le fabricant.
- B. Avant de procéder à l'entretien ou au nettoyage de l'appareil, débranchez le cordon d'alimentation de la prise murale et verrouillez le panneau du disjoncteur. Lorsque le panneau du disjoncteur ne peut pas être verrouillé, fixez fermement un dispositif d'avertissement bien visible, par exemple une étiquette, sur le panneau de service.

CONSERVEZ CES INSTRUCTIONS



Avertissement de la proposition 65 de l'État de Californie

AVERTISSEMENT

Cancer et troubles de la reproduction : www.P65Warnings.ca.gov.

AVERTISSEMENT

Risque d'étouffement

Retirez les portes sur l'ancien réfrigérateur :

En cas de non-respect de ces consignes, des enfants risquent de se retrouver enfermés à l'intérieur, sans air entrant, et ainsi causer des lésions cérébrales voire la mort.

Informations importantes à connaître concernant la mise au rebut de gaz réfrigérants :

Mettez au rebut le réfrigérateur en respectant les réglementations fédérales ou locales en vigueur. Les gaz réfrigérants doivent être évacués par un technicien de gaz réfrigérants autorisé et certifié par l'EPA, conformément aux procédures établies.

Sécurité relative au réfrigérateur

CONSERVEZ CES INSTRUCTIONS

Sécurité lors de l'installation

Emplacement et sécurité lors de l'installation

AVERTISSEMENT

- Avant d'installer le réfrigérateur, raccordez-le à une prise de courant et allumez l'appareil pour vous assurer qu'il fonctionne.
- Choisissez un emplacement éloigné de toute source de chaleur (radiateur, chaudière ou lumière directe du soleil).
- Installez l'appareil à un endroit où l'air circule librement et où le réfrigérateur peut bien ventiler.
- Installez l'appareil de sorte que l'air circule sans obstruction au niveau de la grille d'aération avant. Si la circulation de l'air ne peut pas se faire, cela peut interférer avec le bon fonctionnement de l'appareil.
- Les animaux venant de l'extérieur (rongeurs) peuvent ronger le cordon d'alimentation et provoquer un incendie. Par conséquent, installez l'appareil à un endroit non accessible aux animaux.
- Si le meuble est composé d'un matériau souple (ex : plâtre, etc.), sa structure peut être fragile et risque d'être endommagée. Par conséquent, utilisez un meuble composé d'un matériau fort et solide.
- Installez le réfrigérateur avec une équipe d'au moins 2 personnes.
- Reportez-vous aux dimensions du meuble et préparez ce dernier pour assurer une circulation appropriée de l'air.
- Utilisez un meuble qui ne va pas se déformer à cause de la chaleur ou de l'humidité émise par l'appareil lors de l'ouverture et la fermeture du réfrigérateur.

REMARQUE

Si toutes les portes sont trop petites pour que le réfrigérateur puisse passer, vous pouvez retirer les portes sur le réfrigérateur.

Ce réfrigérateur est un modèle de type « encastré », ce qui signifie que le réfrigérateur impose une installation à l'intérieur d'un renforcement dans un meuble de cuisine existant.

Avant de déplacer le réfrigérateur, dégagez le chemin vers l'emplacement d'installation.

Comparez toutes les dimensions de l'appareil et le rayon de basculement avec celles des portes, des couloirs, des escaliers, des recoins, etc. afin de vous assurer que vous ayez un chemin clairement défini.

AVERTISSEMENT



Risque de basculement

Le haut du réfrigérateur est lourd et ce dernier bascule facilement lorsqu'il n'est pas solidement installé.

Maintenez les portes fermées avec du ruban adhésif jusqu'à ce que le réfrigérateur se trouve dans sa position finale et qu'il est prêt à être fixé en place.

Faites appel à deux personnes ou plus pour déplacer et installer le réfrigérateur.

Le non-respect de ces consignes peut provoquer des blessures graves voire mortelles.

DANGER



Risque d'explosion

Tenez les matériaux et vapeurs inflammables (essence par exemple) à distance du réfrigérateur.

Le non-respect de ces consignes peut provoquer la mort, une explosion ou un incendie.

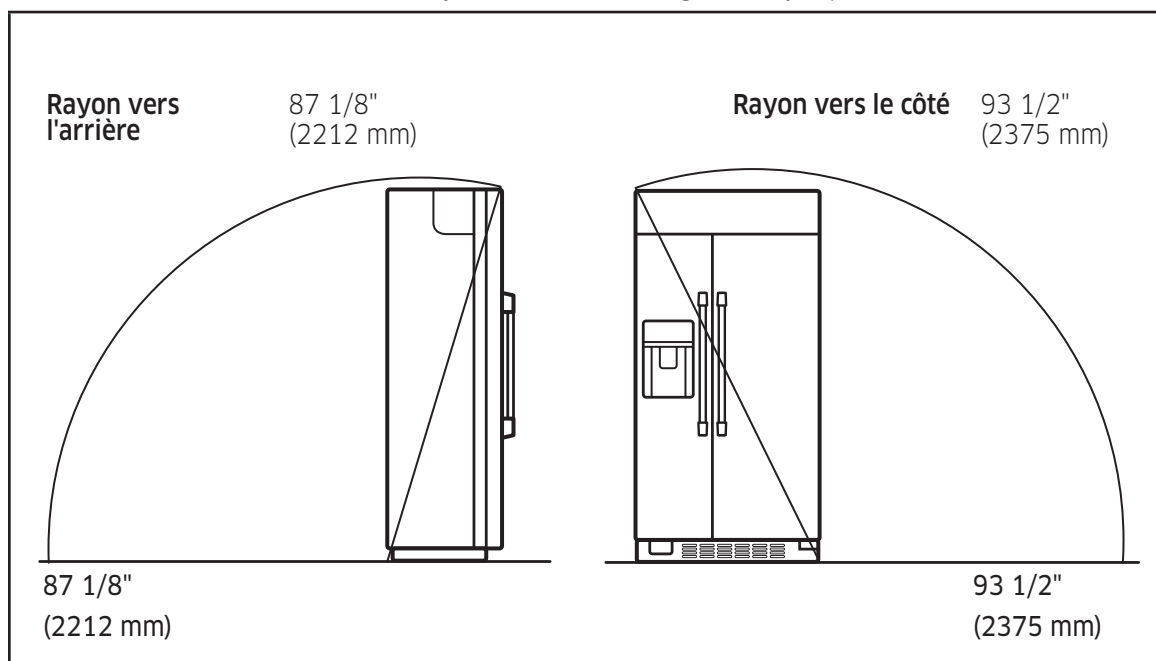
Rayon de basculement

Rayon de basculement

⚠ AVERTISSEMENT

Du fait que le haut du réfrigérateur est lourd, l'appareil bascule facilement lorsqu'il n'est pas définitivement fixé au meuble.

Ci-dessous se trouve la mesure du rayon du haut du réfrigérateur jusqu'au sol :

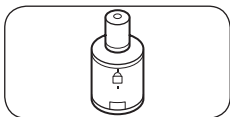


Rayon de basculement

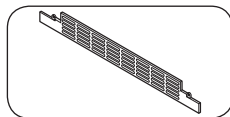
Exigences relatives à l'installation

Préparation à l'installation

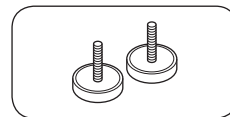
Matériel fourni



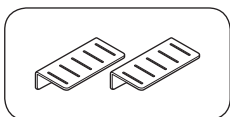
Filtre



Plinthe

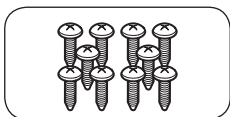


Vis de la plinthe x 2 unités

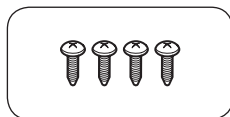


Supports anti-basculement x
2 unités

Sac en polyéthylène



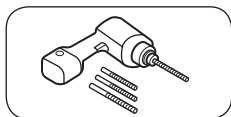
Vis taraudeuse
L16 x 10 unités



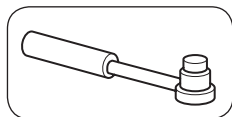
Vis taraudeuse
L20 x 4 unités

Exigences relatives à l'installation

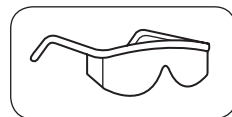
Outils requis



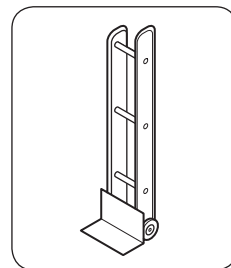
Perceuse et forets



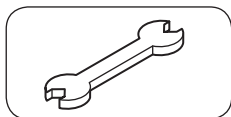
Douilles
(6 et 12 mm)



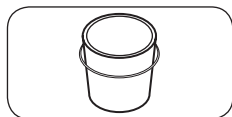
Lunettes de sécurité



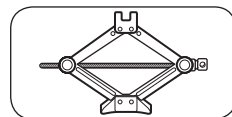
Chariot roulant



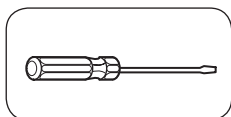
Clés plates
(11 et 12 mm)



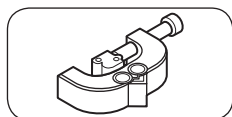
Seau



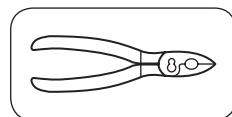
Vérin x 2 unités



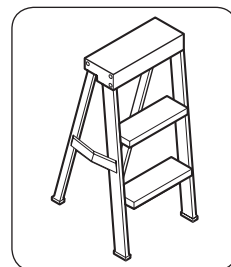
Tournevis à tête plate



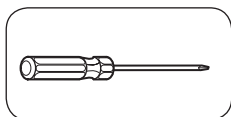
Coupe-tube



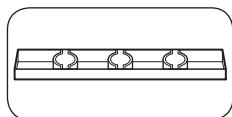
Pinces



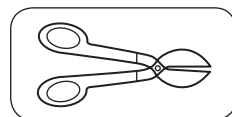
Escabeau



Tournevis cruciforme



Niveau

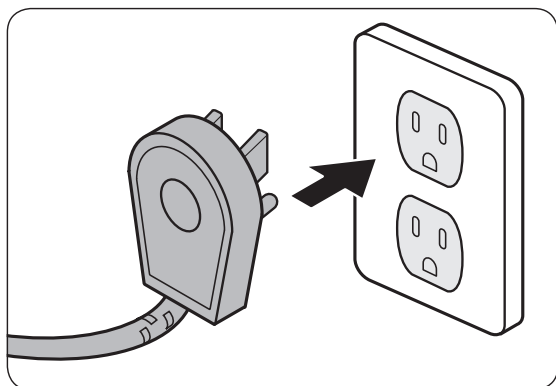


Cisaille

Découpes nécessaires

Dimensions de découpe (L x H x P) : 42" x 84" x 24" (1067 x 2134 x 610 mm)

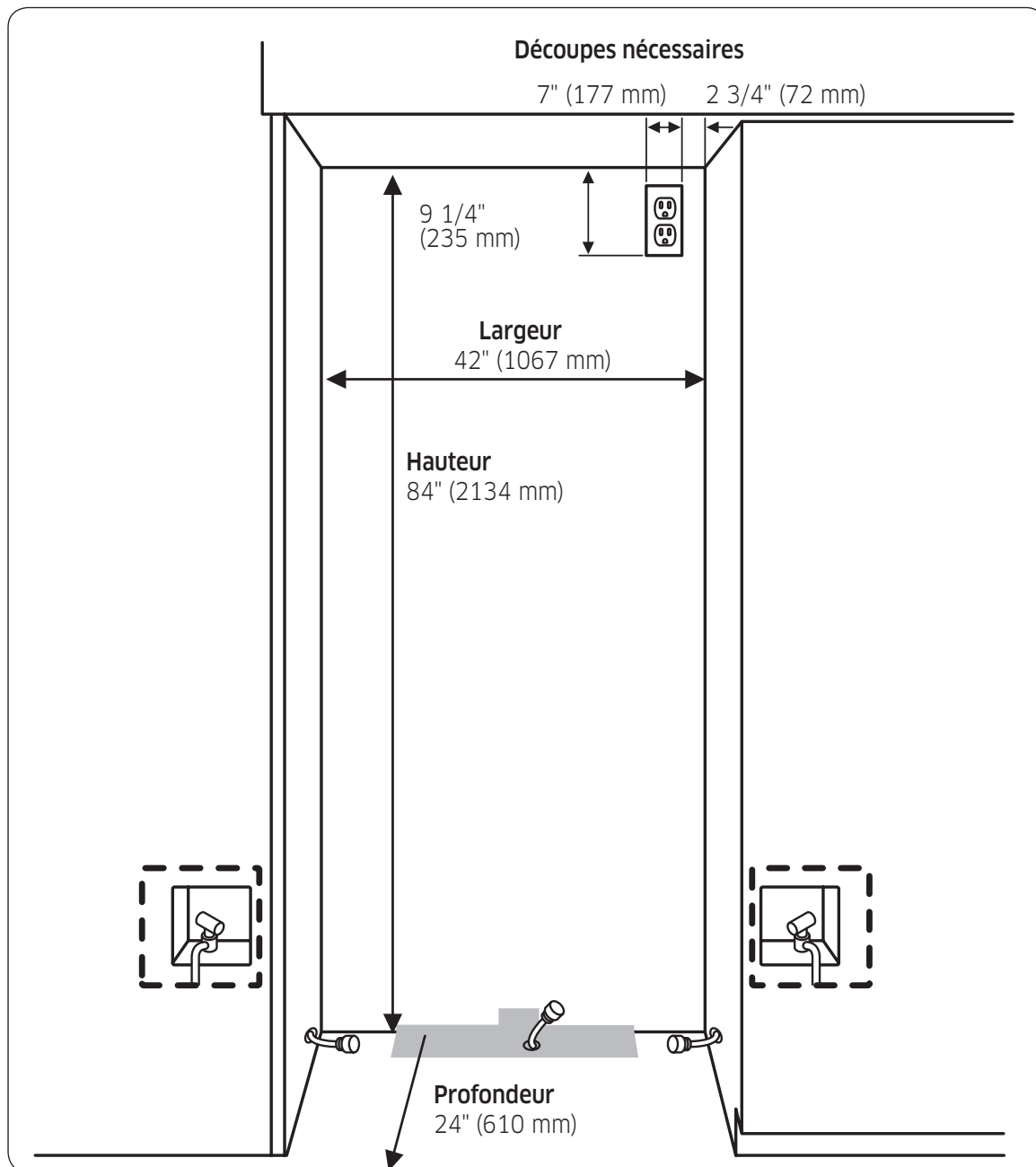
- Installez le réfrigérateur de sorte qu'il puisse être tiré du mur si une intervention s'avère nécessaire.
- Le sol situé sous le réfrigérateur doit être au niveau de celui de la cuisine. (Le réfrigérateur ne peut pas être sur un sol surélevé ou en contrebas.)
- La surface du meuble dans lequel l'appareil est encastré doit être bien verticale.
- L'arrivée du tuyau d'eau peut s'effectuer par le sol ou le mur arrière. Le tuyau d'eau doit être utilisé pour la connexion nécessaire entre le tuyau d'eau froide et l'emplacement du raccordement de l'eau. Le tuyau doit être suffisamment long pour atteindre le devant du réfrigérateur. L'installation d'un robinet de sectionnement facilement accessible sur le tuyau d'eau est requise.
- Il est recommandé d'utiliser un tapis pour éviter d'endommager le sol.



⚠ AVERTISSEMENT

- Assurez-vous qu'une prise 3 broches dédiée et raccordée à la terre est installée pour alimenter le réfrigérateur en électricité.
- Utilisez un cordon d'alimentation muni d'une fiche 3 broches branchée directement dans la prise mise à la terre. Ne modifiez pas un cordon muni d'une fiche 2 broches et n'utilisez pas de multiprise.
- Assurez-vous que l'alimentation d'eau principale du domicile est accessible à l'emplacement où le réfrigérateur sera installé. De l'eau est nécessaire pour la machine à glaçons du réfrigérateur et le distributeur d'eau potable.
- Visualisez les emplacements suggérés du tuyau d'eau sur l'image ci-dessous.

Exigences relatives à l'installation



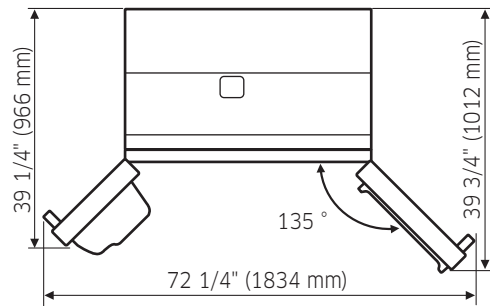
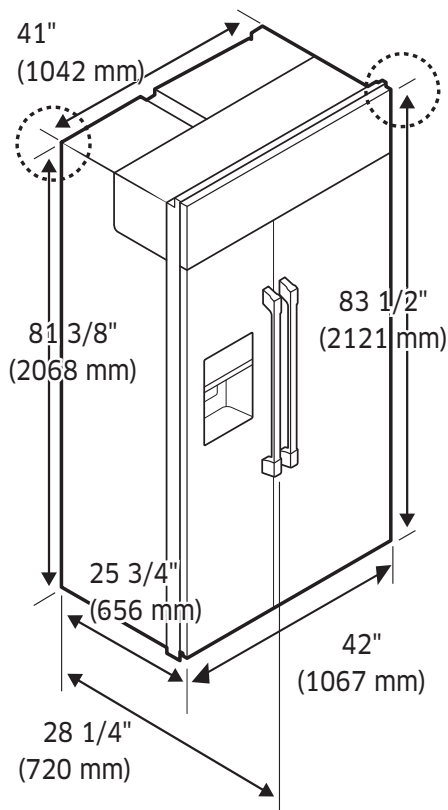
Exigences relatives à l'installation

Caractéristiques techniques de l'appareil

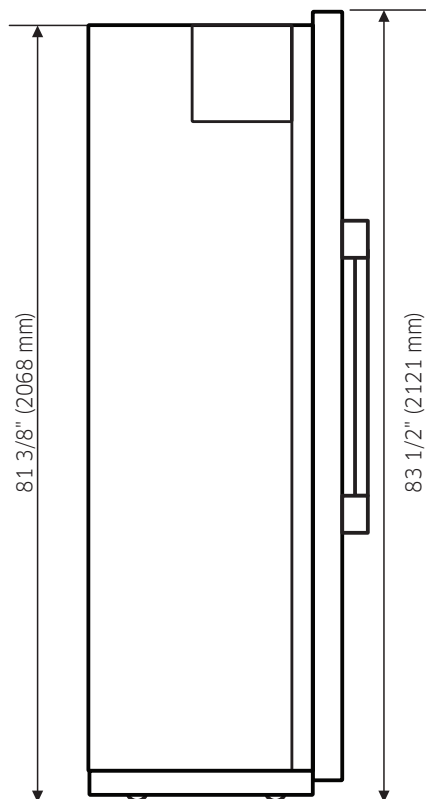
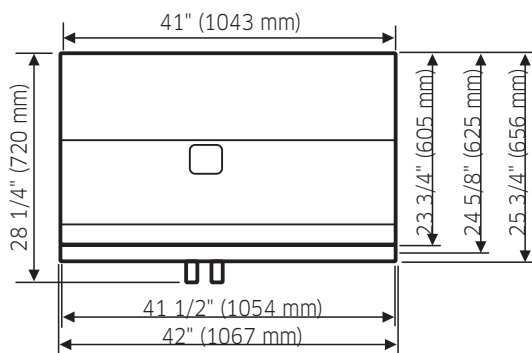
Dimensions du réfrigérateur

Dimensions extérieures (L x H x P) : 42" x 83 1/2" x 28 1/4" (1067 x 2121 x 720 mm)

Reportez-vous aux images et au tableau ci-dessous, ainsi qu'à la page suivante, pour connaître les exigences d'espace pour l'installation.



Caractéristiques techniques de l'appareil



REMARQUE

Les mesures de votre réfrigérateur peuvent différer de celles répertoriées ci-dessus, en fonction de la méthode de mesure.

Instructions d'installation

Mise à la terre du réfrigérateur

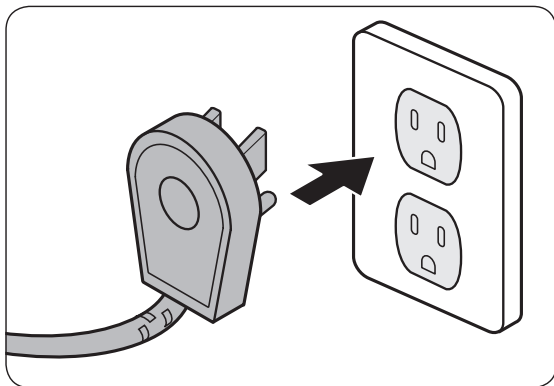
ATTENTION

POUR VOTRE SÉCURITÉ, CET APPAREIL DOIT ÊTRE CORRECTEMENT RELIÉ À LA TERRE.

Le cordon d'alimentation de cet appareil est équipé d'une fiche trois broches (mise à la terre) correspondant à une prise murale trois broches standard (mise à la terre) afin de réduire le risque d'électrocution.

Faites vérifier la prise murale et le circuit par un électricien qualifié afin de vous assurer que la prise est correctement mise à la terre.

Lorsque vous êtes en présence d'une prise murale deux broches standard, il est de votre responsabilité et de votre devoir de la remplacer par une prise murale trois broches correctement mise à la terre.



NE COUPEZ ET NE RETIREZ JAMAIS LA TROISIÈME BROCHE (MISE À LA TERRE) DU CORDON D'ALIMENTATION.

N'UTILISEZ PAS UN ADAPTATEUR POUR BRANCHER LE RÉFRIGÉRATEUR À UNE PRISE 2 BROCHES.

N'UTILISEZ PAS DE RALLONGE AVEC CET APPAREIL.

AVERTISSEMENT



Risque d'électrocution

Branchez l'appareil sur une prise murale 3 broches dédiée reliée à la terre.

Ne retirez pas la broche de mise à la terre.

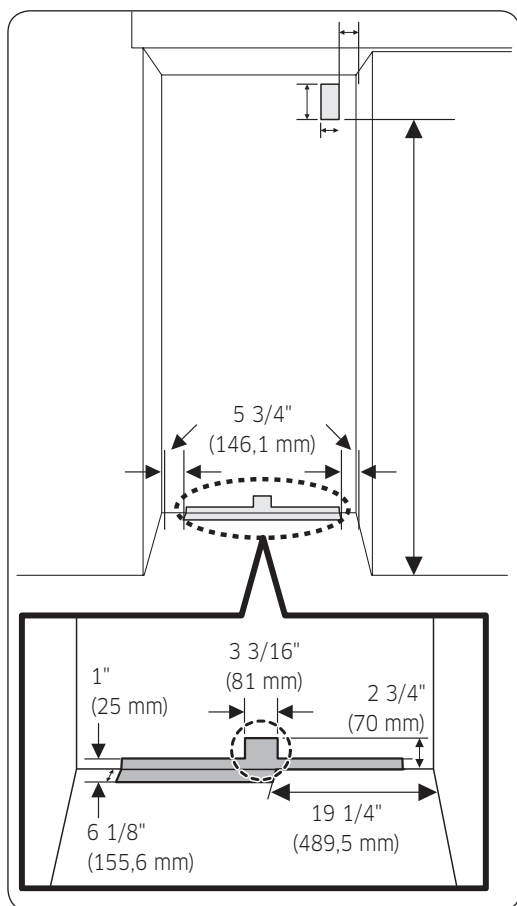
N'utilisez pas d'adaptateur.

N'utilisez pas de rallonge.

Le non-respect de ces consignes peut entraîner un incendie ou une électrocution et avoir des conséquences mortelles.

Instructions d'installation

Raccordement à l'arrivée d'eau principale



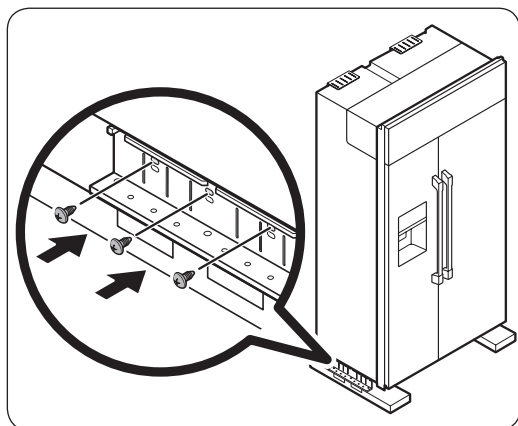
Avant de raccorder le tuyau d'eau du réfrigérateur à l'arrivée d'eau principale de votre domicile, vous devez avoir assimilé la disposition des canalisations au sein de votre domicile.

1. Décidez de la meilleure manière d'utiliser la disposition des canalisations, puis
2. utilisez l'arrivée d'eau principale tout en respectant les exigences suivantes :
 - L'installateur doit fournir le tuyau d'eau de 5/16" (8 mm) et tous les raccords.
 - Le tuyau d'eau doit être suffisamment long pour créer du mou et permettre au réfrigérateur d'être déplacé en vue du nettoyage du sol et d'une intervention technique sans devoir commencer par débrancher le tuyau d'eau.
 - Toute nouvelle installation doit satisfaire aux exigences du code de plomberie local.
 - Le robinet de sectionnement doit être placé dans le meuble inférieur sur l'un des côtés du réfrigérateur (le côté droit est recommandé) ou dans une autre zone facilement accessible.
 - Si le robinet de sectionnement est placé sur le mur derrière le réfrigérateur, il doit être incliné afin que le tuyau d'eau ne soit pas plié lorsque le réfrigérateur est poussé dans sa position finale.
 - Assurez-vous que le tuyau d'alimentation en eau se situe dans la plage indiquée sur les illustrations de droite.

Retrait de l'emballage

ATTENTION

Le haut du réfrigérateur est lourd ; soyez vigilant lors de son déplacement. Lorsque vous utilisez un chariot roulant, manipulez par le côté Congélateur uniquement.



- Coupez prudemment les cerclages en haut et en bas, puis retirez le carton extérieur.
- Faites glisser les montants d'angle arrière vers l'extérieur (2).
- Faites glisser le carton en l'éloignant du haut du meuble.

REMARQUE

Ne couchez pas le meuble dans le but de retirer le socle !

- L'appareil est immobilisé sur le socle avec six boulons de 1/2" (11 mm).
- Retirez l'ensemble des six boulons de 11 mm qui fixent les équerres métalliques au réfrigérateur.
- Inclinez l'appareil sur le côté Congélateur vers le côté Compartiment d'aliments frais.
- Poussez les boulons vers le bas, retirez les équerres métalliques du côté Congélateur.
- Faites glisser le chariot roulant sous le côté Congélateur.
- En utilisant les montants d'angle (2 sur les coins avant) pour éviter tout dommage, sécurisez l'appareil sur le chariot roulant.

REMARQUE

Si les montants d'angle sont trop longs, coupez-les à une longueur inférieure.

- Soulevez l'appareil du socle à l'aide du chariot roulant.
- Retirez la plinthe fixée sur le haut de l'appareil.
- Placez-la de côté pour l'installation finale.

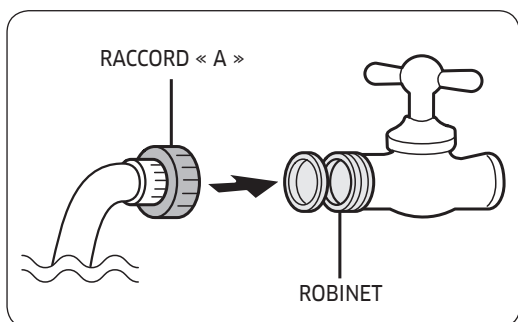
ATTENTION

- Ne tentez pas de faire rouler ou de tirer l'appareil hors du socle.
- Assurez-vous que le tuyau d'eau est dégagé du chariot roulant afin d'éviter tout dommage.

Instructions d'installation

Vérification du circuit du distributeur d'eau

- Pour que la machine à glaçons puisse fonctionner correctement, la pression d'eau doit se situer entre 30 et 120 psi (207 et 827 kPa).
- Le filtre à eau élimine les particules. Il ne permet pas de stériliser ni de détruire tous les micro-organismes.
- Si le réfrigérateur est installé dans une zone où la pression d'eau est faible (inférieure à 30 psi (207 kPa)), vous devez installer une pompe de surpression pour compenser la faible pression.
- Assurez-vous dans un premier temps que le réservoir d'eau à l'intérieur du réfrigérateur est bien rempli. Pressez le levier du distributeur d'eau jusqu'à ce que l'air soit sorti du réservoir et qu'un écoulement d'eau continu soit délivré.



Raccordement du tuyau d'alimentation en eau

Raccordez le tuyau d'eau au raccord et au robinet.

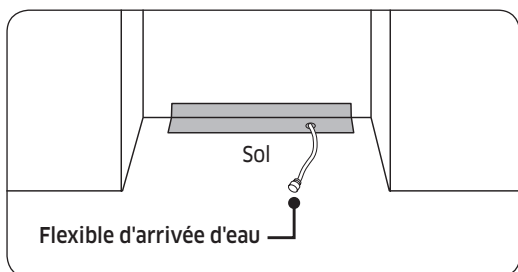
- Fermez le robinet d'arrivée d'eau principal.
- Vissez le raccord «A» sur le robinet.
- Chaque liaison doit être étanchée avec du ruban d'étanchéité.

⚠ ATTENTION

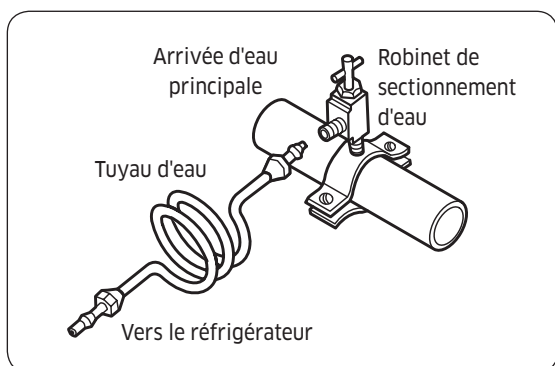
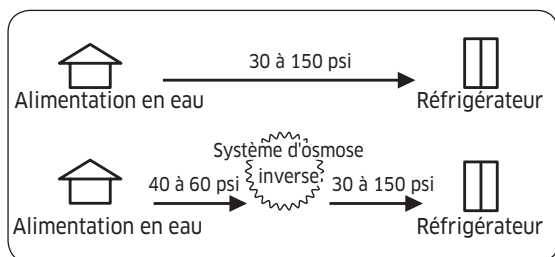
Il est recommandé qu'un plombier installe un régulateur de pression (30 psi (207 kPa)).

📖 REMARQUE

Le tuyau d'eau fourni ainsi que le raccord doivent être raccordés à la canalisation d'eau.



Exigences en matière de pression d'eau



Une arrivée d'eau froide de pression comprise entre 30 et 120 psi (207 et 827 kPa) est nécessaire au bon fonctionnement du distributeur d'eau et de la machine à glaçons. Si vous avez des questions sur votre pression d'eau, communiquez avec un plombier qualifié autorisé.

Système d'osmose inverse dans l'alimentation d'eau

IMPORTANT : La pression de l'eau sortant d'un système d'osmose inverse et arrivant dans la vanne d'arrivée d'eau du réfrigérateur doit être comprise entre 30 et 120 psi (207 et 827 kPa).

La pression de l'eau entre l'alimentation en eau froide et le système d'osmose inverse doit être comprise entre 40 et 60 psi minimum (276 à 414 kPa.)

Instructions d'installation

INFORMATIONS CONCERNANT LA GARANTIE

L'installation du tuyau d'eau n'est pas couverte par la garantie du fabricant du réfrigérateur et de la machine à glaçons.

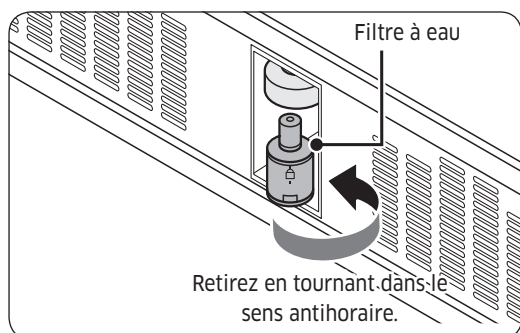
Respectez attentivement les instructions suivantes afin de minimiser le risque onéreux de dégâts des eaux.

Le tuyau d'eau doit être raccordé à la conduite d'eau froide. S'il est raccordé à la conduite d'eau chaude, le filtre risque de ne pas fonctionner correctement.

REMARQUE

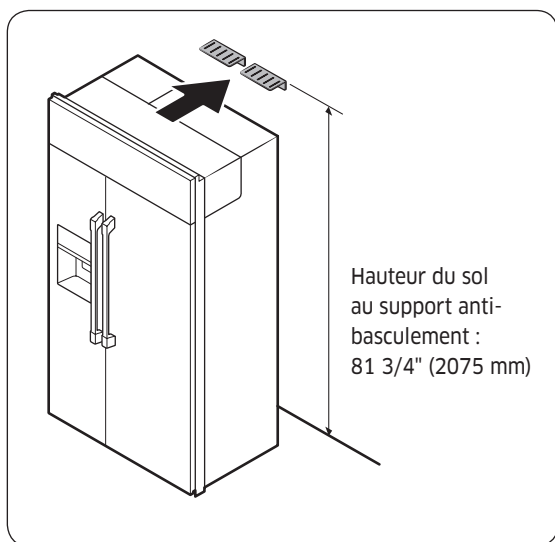
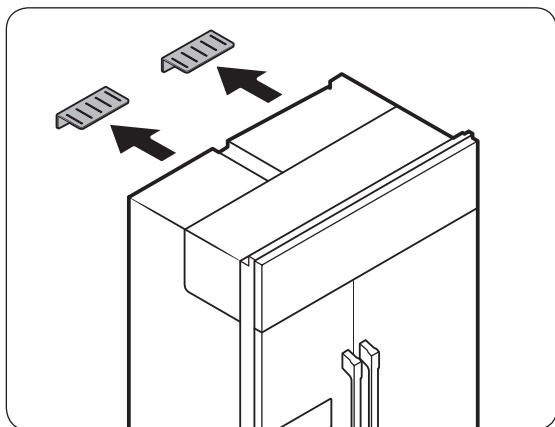
Si le raccord ne se monte pas sur le robinet actuel, rendez-vous chez le revendeur autorisé le plus proche et achetez les bons raccords.

Installation du tuyau d'eau



- Ce réfrigérateur est automatiquement contourné si le filtre à eau est retiré.
- Pour retirer ou changer le filtre à eau, ouvrez la grille supérieure.
- Tournez le filtre à eau dans le sens antihoraire jusqu'à son retrait.
- Insérez un filtre à eau neuf et tournez-le dans le sens horaire jusqu'à le fixer fermement en place.

Passage aux supports anti-basculement



La hauteur spécifiée pour le réfrigérateur installé est de 2075 mm, ce qui correspond à la somme de la hauteur arrière (2068 mm) du réfrigérateur) et de l'épaisseur du support anti-basculement (7 mm).

1. Fixez les supports anti-basculement sur la paroi arrière à l'aide de vis. Pour assurer le bon alignement, tracez au préalable une ligne à la hauteur spécifiée sur la paroi arrière.
2. Fixez la fiche d'alimentation en haut du réfrigérateur avec du ruban adhésif, de sorte qu'elle ne tombe pas.
3. Remettez le réfrigérateur sur les supports anti-basculement jusqu'à ce qu'il se positionne bien en place. Assurez-vous que le réfrigérateur est bien fixé sur les supports.

⚠ ATTENTION

Lors du déplacement du réfrigérateur, faites attention à ne pas coincer la fiche d'alimentation derrière le réfrigérateur.

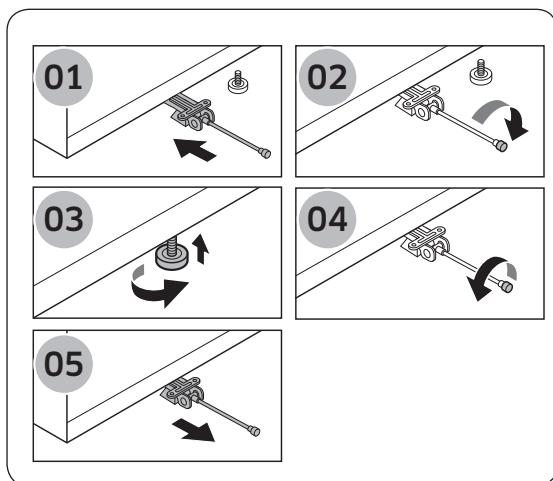
Branchement électrique

- Branchez la fiche du cordon d'alimentation du réfrigérateur à une prise dûment mise à la terre.
- Assurez-vous que le réfrigérateur est sous tension en ouvrant la porte de l'appareil pour voir si l'éclairage intérieur s'allume.

Instructions d'installation

Mise à niveau du réfrigérateur

Avant d'installer le réfrigérateur, assemblez les pieds de mise à niveau fournis avec les pièces d'installation.



⚠ ATTENTION

Après avoir assemblé les pieds de mise à niveau, le sol peut être endommagé en raison du faible jeu entre les pieds et le sol.

Poussez tout d'abord le vérin situé entre une roulette et le bac d'évaporation en faisant attention au tuyau d'eau.

Puis, soulevez le réfrigérateur en tournant le vérin dans le sens horaire.

Enfin, insérez complètement les pieds de mise à niveau.

📄 REMARQUE

Le réfrigérateur doit être de niveau. S'il ne l'est pas, les portes sont susceptibles de ne pas être bien alignées en haut.

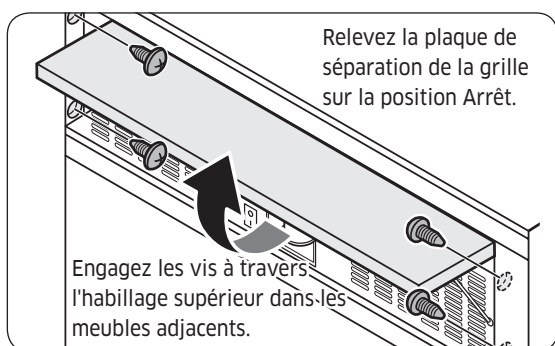
⚠ ATTENTION

Les pieds de mise à niveau arrière et avant sont limités à un réglage de hauteur maximal de 3/4" (20 mm). Si le réfrigérateur nécessite une hauteur supérieure à 2118 mm, l'installateur doit le soulever sur une planche de contreplaqué ou sur des patins. Un habillage du meuble peut être ajouté transversalement sur le haut de l'ouverture pour raccourcir cette dernière.

Si vous tentez de soulever le réfrigérateur de plus de 20 mm, vous endommagerez les pieds de mise à niveau avant et arrière.

Fixation du réfrigérateur dans le meuble

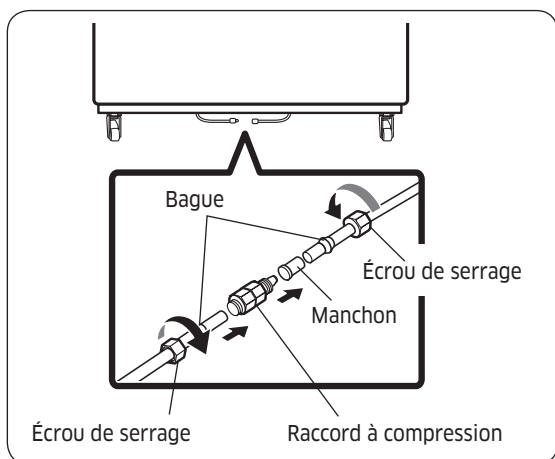
Dans la mesure du possible, effectuez cette étape pour une sécurité anti-basculement.



Le réfrigérateur doit être fixé en place afin d'éviter son basculement.

- Levez la plaque de séparation de la grille pour accéder à l'habillage de la partie supérieure.
- Engagez un tournevis à travers l'habillage et dans le MEUBLE adjacent en utilisant les trous prévus à cet effet.
- Reproduisez la même procédure sur le côté opposé.

Raccordement de l'arrivée d'eau



Raccordez un flexible entre le réfrigérateur et le tuyau d'eau, installé sur la canalisation d'eau comme indiqué sur la figure ci-dessus.

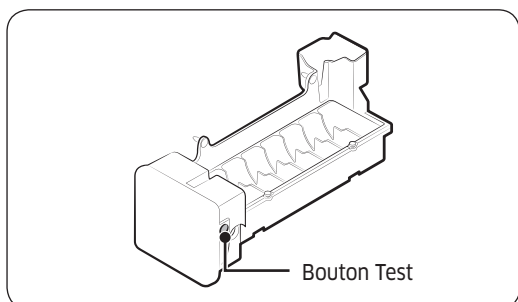
- Ouvrez l'alimentation en eau pour vérifier l'absence de fuite.

REMARQUE

Assurez-vous le flexible en excès n'interfère pas avec l'installation de la plinthe.

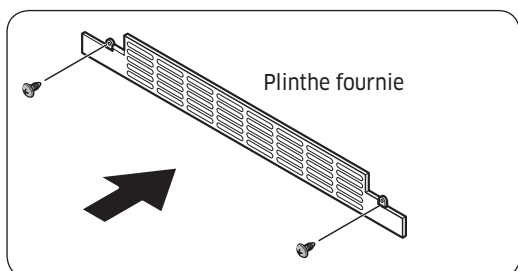
Instructions d'installation

Démarrage de la machine à glaçons



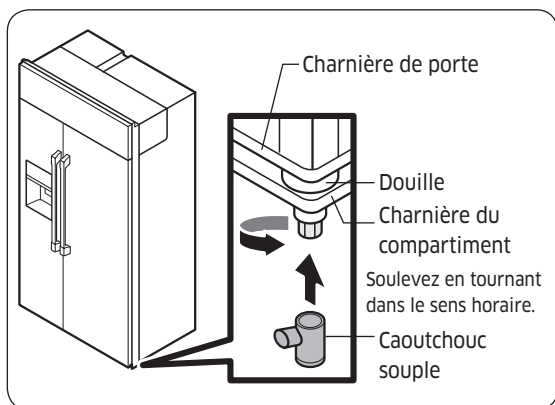
- Appuyez sur le bouton **Test** de la machine à glaçons situé dans la partie supérieure du compartiment congélateur pendant 2 secondes.
 - Après la rotation du bac à glaçons, celui-ci revient dans sa position initiale. Lorsque sa rotation est terminée et que l'eau arrive via le tuyau d'alimentation, la machine à glaçons fonctionne normalement.
- Jetez la totalité du premier bac de glaçons.

Installation de la plinthe



- Repérez la plinthe fournie (fixée sur le dessus du réfrigérateur avec du ruban adhésif). Installez-la à l'aide des 2 vis fournies.
- La plinthe ajourée doit rester libre de toute obstruction pour une circulation d'air correcte.

Alignement des portes



- Prenez du recul par rapport au réfrigérateur pour visualiser l'alignement des portes
- L'expédition ou l'ajout des panneaux de porte lourds peut avoir provoqué un léger décalage des portes.
- La porte du Compartiment d'aliments frais peut devoir être ajustée vers le haut ou vers le bas afin de l'aligner avec la porte du Congélateur.
- Après avoir retiré le caoutchouc souple, desserrez le mécanisme de mise à niveau.
- Pour ajuster le pied de mise à niveau, utilisez un tournevis cruciforme pour desserrer la vis. Puis, utilisez une clé de 7/32" (6 mm) pour ajuster l'axe de la charnière.
- Serrez le mécanisme de mise à niveau.
- Recouvrez la partie inférieure du mécanisme de mise à niveau avec la protection (caoutchouc souple).

REMARQUE

Lorsque l'appareil a été mis de niveau, si la porte du compartiment d'aliments frais est plus haute que la porte du congélateur, abaissez le pied de mise à niveau avant droit pour aligner les portes et, si nécessaire, relevez le pied de mise à niveau gauche pour mettre l'appareil de niveau côté par côté.



DA68-03583B-00

dacor[®]

