

dacor[®]

User Manual

Built-In Fridge

DRR24980^{***} / DRR30980^{***} / DRR30990^{***} /
DRR36980^{***}





Contents

Important Information	4
Before You Begin	4
Safety information	5
What you need to know about the safety instructions	5
Important safety symbols and precautions:	6
State of California Proposition 65 Warning	6
Important safety precautions	6
Severe warning signs for transportation and site	8
Critical installation warnings	9
Installation cautions	11
Critical usage warnings	11
Usage cautions	14
Cleaning cautions	15
Critical disposal warnings	16
What's included	17
Inside Parts, Storage, and Shelving	17
Operations	19
Control panel	19
SmartThings	26
SMART GRID Function (Demand Response)	29
Special features	33
Handle and care	36
Replacement	39
Care and Maintenance	42
Cleaning	42



Troubleshooting	43
General	43
Do you hear abnormal sounds from the refrigerator?	46
Auto Door Open (ADO)	48
SmartThings	49
Smart Grid	50
Warranty	51
United States - Warranty	51
CANADA - Warranty	55
Regulatory Notice	61
FCC Notice	61
IC Notice	62
Open Source Announcement	63

Important Information

Before You Begin

Important Information



Installer

- Leave these Use and Care instructions with the appliance.

Consumer

- Please read this Use and Care Manual completely before using your refrigerator. Save it for future reference.

- The overall design and/or accessories may differ with the model.

Retain your sales receipt or canceled check. Proof of original purchase date is required for warranty service.

Have the complete model and serial number identification for your appliance ready.

These numbers are found on the label located inside of the refrigerator wall. Record these numbers below for easy access.

Model Number	
Serial Number	
Date of Purchase	

Safety information

Before using your new Dacor Refrigerator, please read this manual thoroughly to ensure that you know how to operate the features and functions that your new appliance offers safely and efficiently.

What you need to know about the safety instructions

- This appliance is not intended for use by persons (including children) with reduced physical, sensory or mental capabilities, or lack of experience and knowledge, unless they have been given supervision or instruction concerning use of the appliance by a person responsible for their safety. Children should be supervised to ensure that they do not play with the appliance.
- Because the following instructions cover various models, the characteristics of your refrigerator may differ slightly from the refrigerator described in this manual.
- If you have any question, find help and information online at www.Dacor.com.
- Refrigerant squirting out of the pipes could ignite or cause an eye injury. When refrigerant leaks from the pipe, avoid any naked flames and move anything flammable away from the product and ventilate the room immediately.
 - Failing to do so may result in fire or explosion.
- Improper use of the grounding plug can result in a risk of electric shock. If it is necessary to use an extension cord, use only a 3-wire extension cord that has a 3-blade grounding plug and a 3-slot receptacle that will accept the plug on the appliance. The marked rating of the extension cord should be AC 115-120 V, 10 A, or more. If a grounding adapter is used, make sure the receptacle box is fully grounded.



Safety Information

Important safety symbols and precautions:

Please follow all safety instructions in this manual. This manual uses the following safety symbols.

WARNING

Hazards or unsafe practices that may result in **severe personal injury, property damage, and/or death.**

CAUTION

Hazards or unsafe practices that may result in **severe personal injury and/or property damage.**

NOTE

Useful information that helps users understand or benefit from the refrigerator.

These warning signs are here to prevent injury to you and others.

Please follow them carefully.

After reading this section, keep it in a safe place for future reference.

State of California Proposition 65 Warning

WARNING

Cancer and Reproductive Harm - www.P65Warnings.ca.gov.

Important safety precautions



WARNING; Risk of fire / flammable materials

WARNING

- R-600a is used as a refrigerant. This product contains flammable gas (Refrigerant R-600a), contact your local authority in regard to safe disposal of this product.
- In order to avoid the creation of a flammable gas-air mixture if a leak in the refrigerating circuit occurs, the size of the room in which the appliance may be sited depends on the amount of refrigerant used. The room must be 35.3 ft³ in size for every 8 g of R-600a refrigerant inside the appliance.



- The installation location should not be exposed to direct sunlight and not placed near any electric appliance or heat source, e.g. stove, oven or hob, radiator, etc.
- If you use two products side by side, for safety reason, be sure to use certified products in explosive gas atmospheres.
- Never start up an appliance showing any signs of damage. If in doubt, consult your dealer.
- If the supply cord is damaged, it must be replaced by the manufacturer, its service agent or similarly qualified persons in order to avoid a hazard.
- The socket must be easily accessible so that the appliance can be quickly disconnected from the supply in an emergency. It must be outside the area of the rear of the appliance.
- Do not store explosive substances such as aerosol cans with a flammable propellant in this appliance.
- New hose-sets supplied with the appliance are to be used and that old hose-sets should not be reused.
- When positioning the appliance, ensure the supply cord is not trapped or damaged.
- Do not locate multiple portable socket-outlets or portable power supplies at the rear of the appliance.

WARNING

- Fill with potable water only.
- Keep ventilation openings, in the appliance enclosure or in the built-in structure, clear of obstruction.
- Do not use mechanical devices or other means to accelerate the defrosting process, other than those recommended by the manufacturer.
- Do not damage the refrigerant circuit.
- Do not use electrical appliances inside the food storage compartments of The appliance, unless they are of the type recommended by the manufacturer.
- Connect to potable water supply only.

WARNING

- Risk of child entrapment. Before you throw away your old refrigerator or freezer:
 - Take off the doors.
 - Leave the shelves in place so that children may not easily climb inside.



Safety Information

CAUTION

- Risk Of Fire Or Explosion. Flammable Refrigerant Used. Do Not Use Mechanical Devices To Defrost Refrigerator. Do Not Puncture Refrigerant Tubing.
- Risk Of Fire Or Explosion. Flammable Refrigerant Used. To Be Repaired Only By Trained Service Personnel. Do Not Puncture Refrigerant Tubing.
- Risk Of Fire Or Explosion. Flammable Refrigerant Used. Consult Repair Manual/Owner's Guide Before Attempting to Service This Product. All Safety Precautions Must Be Followed.
- Risk Of Fire Or Explosion. Dispose Of Properly In Accordance With Federal Or Local Regulations. Flammable Refrigerant Used.
- Risk Of Fire Or Explosion Due To Puncture Of Refrigerant Tubing; Follow Handling Instructions Carefully. Flammable Refrigerant Used.
- To Prevent A Child From Being Entrapped, Keep Out Of Reach Of Children And Not In The Vicinity Of Freezer Or Refrigerator.

This appliance is intended to be used in household and similar applications such as

- staff kitchen areas in shops, offices and other working environments;
- farm houses and by clients in hotels, motels and other residential type environments;
- bed and breakfast type environments;
- catering and similar non-retail applications.

Severe warning signs for transportation and site

WARNING

- When transporting and installing the appliance, care should be taken to ensure that no parts of the refrigerating circuit are damaged.
 - Refrigerant leaking from the pipe work could ignite or cause an eye injury. If a leak is detected, avoid any naked flames or potential sources of ignition and air the room in which the appliance is standing for several minutes.
 - This appliance contains a small amount of isobutane refrigerant (R-600a), a natural gas with high environmental compatibility that is, however, also flammable.
 - When transporting and installing the appliance, care should be taken to ensure that no parts of the refrigerating circuit are damaged.



Critical installation warnings

WARNING

- Do not install the refrigerator in a damp location or place where it may come in contact with water.
 - Deteriorated insulation on electrical parts may cause an electric shock or fire.
- Do not place this refrigerator in direct sunlight or expose it to the heat from stoves, room heaters, or other appliances.
- Do not plug several appliances and the refrigerator into the same multiple power strip. The refrigerator should always be plugged into its own individual electrical outlet which has a voltage rating that matches the voltage listed on the refrigerator's rating plate.
 - This provides the best performance and also prevents overloading of house wiring circuits, which could overheat the wires and cause a fire hazard.
- If the wall socket is loose, do not insert the power plug.
 - There is a risk of electric shock or fire.
- Do not use a power cord that has cracks or abrasion damage along its length or at either end.
- Do not bend the power cord excessively or place heavy objects on it.
- Do not pull or excessively bend the power cord.
- Do not twist or tie the power cord.
- Do not hook the power cord over a metal object, place a heavy object on the power cord, insert the power cord between objects, or push the power cord into the space behind the appliance.
- Never unplug your refrigerator by pulling on the power cord. Always grip the plug firmly and pull straight out from the outlet.
 - Damage to the cord may cause a short-circuit, fire, and/or electric shock.
- Do not install this appliance near a heater or flammable material.
- Do not install this appliance in a location where gas may leak.
 - This may result in an electric shock or fire.
- This refrigerator must be properly located and installed in accordance with the instructions in this manual before you use it.
- Connect the power plug in the proper position with the cord hanging down.
 - If you connect the power plug upside down, the wire can get cut off and cause a fire or electric shock.
- Make sure that the power plug is not crushed or damaged by the back of the refrigerator.

Safety Information

- Keep the packing materials out of reach of children.
 - There is a risk of death from suffocation if a child puts the packing materials on his or her head.
- The appliance must be positioned so that the plug is accessible after installation.
 - Failing to do so may result in an electric shock or fire due to electric leakage.
- Do not install this appliance in a humid, oily or dusty location, or in a location exposed to direct sunlight or to water (rain drops).
 - Deteriorated insulation on electrical parts may cause an electric shock or fire.
- If large amounts of dust or water enter the refrigerator, disconnect the power plug and contact a Dacor service center.
 - Otherwise there is a risk of fire.
- You need to remove all the protective plastic film before you initially plug the product in.
- Children should be supervised to ensure that they do not play with the snap rings used for door adjustment or the water tube clips.
 - There is risk of death by suffocation if a child swallows a snap ring or water tube clip. Keep the snap rings and water tube clips out of children's reach.
- The refrigerator must be safely grounded.
 - Always make sure that you have grounded the refrigerator before attempting to investigate or repair any part of the appliance. Power leakages can cause severe electric shock.
- Never use gas pipes, telephone lines, or other potential lightning attractors as an electrical ground.
 - You must ground the refrigerator to prevent any power leakages or electric shocks caused by current leakage from the refrigerator.
 - Current leakage may result in an electric shock, fire, explosion, or problems with the product.
- Plug the power plug into the wall socket firmly. Do not use a damaged power plug, damaged power cord, or loose wall socket.
 - This may result in an electric shock or fire.
- Only a qualified technician or service company should be allowed to change the fuse in the refrigerator.
 - Failing to do so may result in an electric shock or personal injury.
- To avoid a hazard due to instability of the appliance, it must be fixed in accordance with the instructions.

Installation cautions

CAUTION

- Allow sufficient space around the refrigerator and install it on a flat surface.
 - Keep the ventilation space in the appliance enclosure or mounting structure clear of obstructions.
- After you have installed the refrigerator and turned it on, allow the appliance to stand for 2 hours before loading it with food.
- It is strongly recommended you have a qualified technician or service company install the refrigerator.
 - Failing to do so may result in an electric shock, fire, explosion, problems with the product, or injury.
- Overloading one door may make the refrigerator fall, causing physical injury.

Critical usage warnings

WARNING

- Do not insert the power plug into a wall socket with wet hands.
 - This may result in an electric shock.
- Do not store articles on the top of the appliance.
 - When you open or close the door, the articles may fall and cause personal injury and/or material damage.
- Do not insert hands, feet, or metal objects (such as chopsticks, etc.) into the bottom or the back of the refrigerator.
 - This may result in an electric shock or injury.
 - Any sharp edges may cause a personal injury.
- Do not touch the inside walls of the freezer or products stored in the freezer with wet hands.
 - This may cause frostbite.
- Do not put a container filled with water on the refrigerator.
 - If spilled, there is a risk of fire or electric shock.
- Do not keep volatile or flammable objects or substances (benzene, thinner, propane gas, alcohol, ether, LP gas, and other such products) in the refrigerator.
 - This refrigerator is for storing food only.
 - This may result in fire or explosion.
- Children should be supervised to ensure that they do not play with the appliance.
 - Keep fingers out of “pinch point” areas. Clearances between the doors and cabinet are necessarily small. Be careful when you open the doors if children are in the area.



Safety Information

- Do not let children hang on the door or door bins. A serious injury may occur.
- Do not let children go inside the refrigerator. They could become trapped.
- Do not insert your hands into the area under the appliance.
 - Any sharp edges may cause personal injury.
- Do not store pharmaceutical products, scientific materials, or temperature sensitive products in the refrigerator.
 - Products that require strict temperature controls must not be stored in the refrigerator.
- Do not place or use electrical appliances inside the refrigerator/freezer, unless they are of a type recommended by the manufacturer.
- If you smell smoke, pull out the power plug immediately, and then contact a Dacor service center.
- If large amounts of dust or water enter the refrigerator, disconnect the power plug and contact your Dacor service center.
 - Otherwise there is a risk of fire.
- Do not let children step on a drawer.
 - The drawer may break and cause them to slip.
- Do not leave the doors of the refrigerator open while the refrigerator is unattended and do not let children enter the refrigerator.
- Do not allow babies or children to go into a drawer.
 - It can cause death from suffocation by entrapment or personal injury.
- Do not overfill the refrigerator with food.
 - When you open the door, an item may fall out and cause personal injury or material damage.
- Do not spray volatile material such as insecticide onto the surface of the appliance.
 - As well as being harmful to humans, it may also result in an electric shock, fire, or problems with the product.
- Never put fingers or any objects into the water dispenser outlet, ice chute, or ice maker bucket.
 - It may cause a personal injury or material damage.
- Do not use or place any substances sensitive to temperature such as flammable sprays, flammable objects, dry ice, medicine, or chemicals near or inside the refrigerator.
- Do not use a hair dryer to dry the inside of the refrigerator. Do not place a lighted candle in the refrigerator to remove bad odors.
 - This may result in an electric shock or fire.
- Fill the water tank and ice cube trays with potable water only (tap water, mineral water, or purified water).
 - Do not fill the tank with tea, juice, or a sports drink. They can damage the refrigerator.



- Do not stand on top of the appliance or place objects (such as laundry, lighted candles, lighted cigarettes, dishes, chemicals, metal objects, etc.) on the appliance. This may result in an electric shock, fire, problems with the product, or injury. Do not put a container filled with water on the appliance.
 - If spilled, there is a risk of fire or electric shock.
- Never stare directly at the UV LED lamp for long periods of time.
 - This may result in eye strain due to the ultraviolet rays.
- Do not put a fridge shelf into the refrigerator upside down. The shelf stopper will not work.
 - The glass shelf could fall and cause personal injury.
- If a gas leak is detected, avoid any naked flames or potential sources of ignition, and air the room in which the appliance is standing for several minutes.
 - Do not touch the appliance or power cord.
 - Do not use a ventilating fan.
 - A spark may result in an explosion or fire.
- Use only the LED Lamps provided by the manufacturer or its service agents.
- Bottles should be stored tightly together so that they do not fall over or out.
- This product is intended only for the storage of food in a domestic environment.
- Do not attempt to repair, disassemble, or modify the refrigerator yourself.
 - Unauthorized modifications can cause safety problems. To reverse an unauthorized modification, we will charge the full cost of parts and labor.
- Do not use any fuse (such as copper, steel wire, etc.) other than a standard fuse.
- If your refrigerator needs to be repaired or reinstalled, contact your nearest Dacor service center.
 - Failing to do so may result in an electric shock, fire, problems with the product, or injury.
- If the interior or exterior LED lamp has gone out, contact your nearest Dacor service center.
- If the refrigerator emits a burning smell or smoke, unplug the refrigerator immediately and contact a Dacor service center.
 - Failing to do so may result in an electric or fire hazards.
- Pull the power plug out of the socket before changing the interior lamps of the refrigerator.
 - Otherwise, there is a risk of electric shock.
- If you experience difficulty changing a non-LED light, contact a Dacor service center.
- If the product is equipped with LED lamps, do not disassemble the Lamp Covers and LED lamps yourself.
 - Contact a Dacor service center.
- Plug the power plug into the wall socket firmly.

Safety Information

- Do not use a damaged power plug, damaged power cord, or loose wall socket.
 - This may result in an electric shock or fire.

Usage cautions

CAUTION

- Do not re-freeze frozen foods that have thawed completely. Do not place carbonated or fizzy drinks in the freezer compartment. Do not put bottles or glass containers in the freezer.
 - When the contents freeze, the glass may break and cause personal injury.
- Use only the ice maker provided with the refrigerator.
- To get the best performance from the product:
 - Do not place food too close to the vents at the rear of the refrigerator as this can obstruct free air circulation in the refrigerator compartment.
 - Wrap food up properly or place it in airtight containers before putting it into the refrigerator.
 - Please observe maximum storage times and expiration dates of frozen goods.
- Do not put glass containers or bottles or carbonated beverages into the freezer.
 - The container may freeze and break, and this may result in injury.
- Service Warranty and Modification.
 - Any changes or modifications performed by a 3rd party on this finished appliance are not covered under Dacor warranty service, nor is Dacor responsible for safety issues that result from 3rd party modifications.
- Do not block the air vents inside the refrigerator.
 - If the air vents are blocked, especially with a plastic bag, the refrigerator can be over cooled.
- If the refrigerator is disconnected from the power supply, you should wait for at least five minutes before plugging it back in.
- If large amounts of water enter the refrigerator, pull out the power plug and contact a Dacor service center.
- Do not strike or apply excessive force to any glass surface.
 - Broken glass may result in a personal injury and/or property damage.
- Fill the water tank and ice cube trays with potable water only (tap water, mineral water, or purified water).
 - Do not fill the tank with tea, juice, or a sports drink. They can damage the refrigerator.

-
- If the refrigerator is flooded, shut off the power to the refrigerator and contact your nearest Dacor service center.
 - There is a risk of electric shock or fire.
 - Do not keep vegetable oil in your refrigerator's door bins. The oil can solidify, making it foul-tasting and difficult to use. In addition, the open container can leak and the leaked oil can cause the door bin to crack. After opening an oil container, it is best to keep the container in a cool and shaded place such as a cupboard or pantry.
 - Examples of vegetable oil: olive oil, corn oil, grape-seed oil, etc.

Cleaning cautions

CAUTION

- Do not spray water directly on the inside or outside of the refrigerator.
 - There is a risk of fire or electric shock.
- Do not use a hair dryer to dry the inside of the refrigerator.
- Do not place a lighted candle in the refrigerator to remove bad odors.
 - This may result in an electric shock or fire.
- Do not spray cleaning products directly on the display.
 - Printed letters on the display may come off.
- If any foreign substance such as water has entered the appliance, unplug the power plug and contact your nearest Dacor service center.
 - Failing to do so may result in an electric shock or fire.
- Use a clean, dry cloth to remove any foreign matter or dust from the power plug blades. Do not use a wet or damp cloth when cleaning the plug.
 - Otherwise, there is a risk of fire or electric shock.
- Do not clean the appliance by spraying water directly onto it.
- Do not use benzene, thinner, or Clorox (bleach) to clean the refrigerator.
 - They may damage the surface of the appliance and may cause a fire.
- Never put fingers or any objects into the dispenser outlet.
 - This can cause a personal injury or material damage.
- Before cleaning or performing maintenance, unplug the appliance from the wall socket.
 - Failing to do so may result in an electric shock or fire.
- Use a clean sponge or soft cloth and a mild detergent in warm water to clean the refrigerator.

Safety Information

- Do not use abrasive or harsh cleansers such as window sprays, scouring cleansers, flammable fluids, muriatic acid, cleaning waxes, concentrated detergents, bleaches, or cleansers containing petroleum products on exterior surfaces (doors and cabinet), plastic parts, door and interior liners, and gaskets.
 - These can scratch or damage the material.
- Do not clean glass shelves or covers with warm water when they are cold. Glass shelves and covers may break if exposed to sudden temperature changes or impacts such as bumping or dropping.

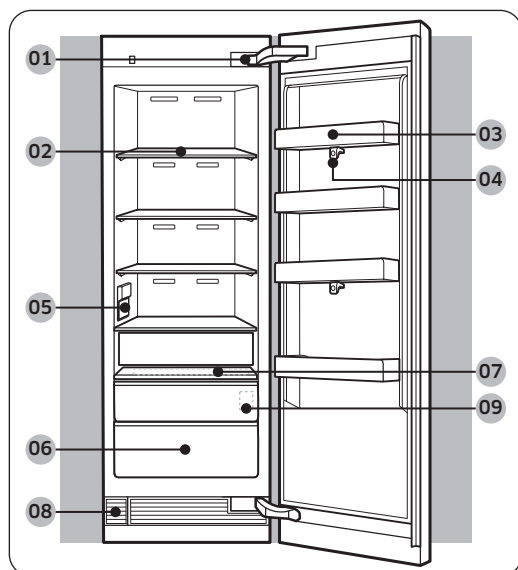
Critical disposal warnings

WARNING

- Children trapped inside a refrigerator can hurt themselves or suffocate to death.
- Please dispose of the packaging material from this product in an environmentally friendly manner.
- Ensure that none of the pipes on the back of the refrigerator are damaged prior to disposal.
- This product contains R-600a, a flammable gas, which is used as the refrigerant. Contact your local authorities regarding safe disposal of this product.
- When disposing of this refrigerator, remove the door/door seals and door latch so that small children or animals cannot become trapped inside. Children should be supervised to ensure that they do not play with the appliance.
 - If trapped inside, the child could be injured or suffocate to death.
- Cyclopentane is used in the insulation. The gases in the insulation material require a special disposal procedure. Please contact your local authorities in regard to the environmentally safe disposal of this product.
- Keep all packaging materials well out of the reach of children, as packaging materials can be dangerous to children.
 - If a child places a bag over his or her head, the child could suffocate.

What's included

Inside Parts, Storage, and Shelving

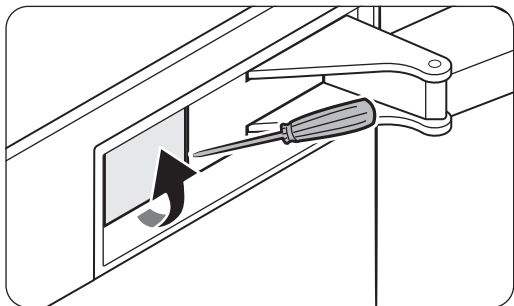


- 01** Power switch, Auto Door Open switch
- 02** Shelves
- 03** Door bins
- 04** Camera
- 05** Water dispenser
- 06** FreshZone
- 07** Control panel
- 08** Water filter (cover)
- 09** Serial Number (on the drawer wall)

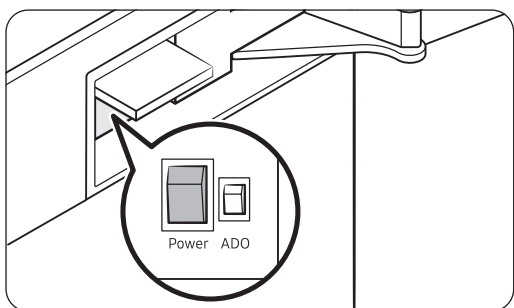
What's included

What's included

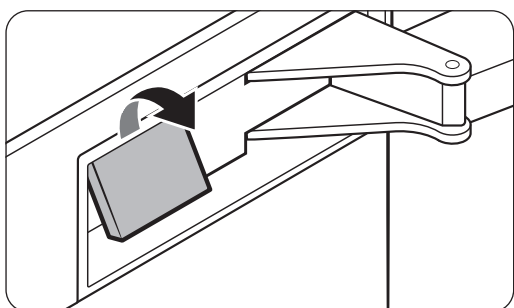
Switch box



- Use a flat head screwdriver to open the switch box cover.



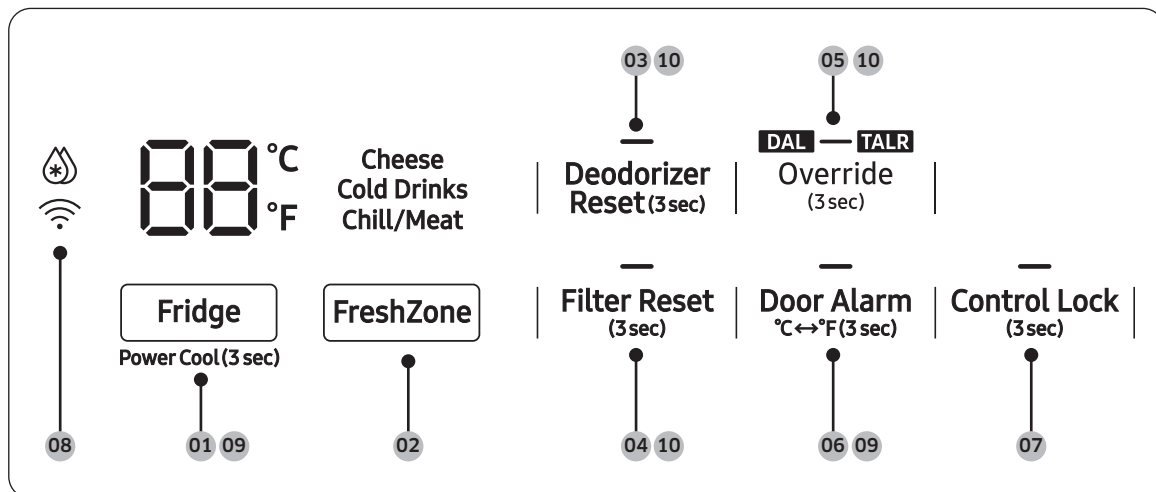
- The black one is the Power switch while the Auto Door Open switch is red next to it.



- Close the switch box cover.

Operations

Control panel



01 Fridge / Power Cool

03 Deodorizer Reset

05 Override

07 Control Lock

09 Sabbath mode

02 FreshZone

04 Filter Reset

06 Door Alarm / °C ↔ °F

08 Network connection

10 Cooling off

NOTE

- When you change the temperature on the panel, the panel displays the actual temperature inside the refrigerator until the temperature matches the temperature you set. Then, the panel displays the new set temperature. Note that it will take time for the refrigerator to reach the new temperature. This is normal. During this time, you need not set the temperature again.
- If no button is input for 10 seconds after Control Lock is deactivated, the display will turn off except for the Control Lock button. To turn the display on, press **Control Lock** again.
- If the control panel moisture or liquid on its surface, it may fail. Wipe the moisture or liquid using a dry cloth, and then try again.

Operations

01 Fridge / Power Cool (3 sec)

Fridge	<p>The Fridge button can be used to set the fridge temperature, or to activate/deactivate Power Cool.</p> <p>You can manually adjust the cooling temperature for the fridge. The temperature indicator informs you of the currently set or selected temperature. Keep pressing Fridge to select a desired temperature between 34 °F (1 °C) and 44 °F (7 °C).</p>
Power Cool	<p>Power Cool speeds up the cooling process at maximum fan speed. The fridge keeps running at full speed for several hours and then returns to the previous temperature.</p> <ul style="list-style-type: none">• To activate Power Cool, press and hold Fridge for 3 seconds. The corresponding indicator (🔥) lights up, and the refrigerator will speed up the cooling process for you.• To deactivate Power Cool, press and hold Fridge again for 3 seconds. The fridge returns to the previous temperature setting. <p>NOTE</p> <p>Using Power Cool increases power consumption. Make sure you turn it off and return to the previous temperature if you don't intend to use it.</p>

02 FreshZone

The FreshZone is a full-width drawer featuring temperature control. It has a temperature sensor that adjusts the amount of cold air allowed into the zone.

- Press **FreshZone** repeatedly to select a desired mode. By default, Cheese is selected.
- The refrigerator adjusts the temperature in the FreshZone according to the selected mode.

Mode	Description	Examples
Cheese	Select this to keep food fresh for a longer time. The temperature of the FreshZone will be kept around 37 °F (3 °C).	Pineapple, lemon, biscuits, potatoes, cheese
Cold Drinks	Select this to keep drinks cold and refreshing. The temperature of the FreshZone will be kept around 33 °F (1 °C).	Bottled water, juice, soft drinks, beer
Chill/Meat	Select this to keep meat or fish fresh for a longer time. The temperature of the FreshZone will be kept around 29 °F (-1 °C).	Steak, cold cut, bacon, chili dog

CAUTION

- Do not use the FreshZone for storing fruit or leafy vegetables. The food items may suffer cold-temperature damage.
- Do not store glass bottles in the FreshZone in Chill/Meat mode. They may break and cause physical injury.

Operations

03 Deodorizer Reset (3 sec)

Deodorizer Reset	After about 18 months of using the original deodorizer filter, the Filter indicator blinks red to remind you that the filter needs to be replaced. If this happens, replace the filter, and press and hold Deodorizer Reset for 3 seconds. The filter lifecycle will be reset and the Filter indicator turns off.
------------------	--

04 Filter Reset (3 sec)

Filter Reset	<p>After about 6 months of using the original water filter (which typically amounts to about 300 gallons (1136 liters) of water), the Filter indicator blinks red to remind you that the filter needs to be replaced. When this happens, replace the filter, and then press and hold Filter Reset for 3 seconds. This resets the filter lifecycle detector and turns off the Filter indicator.</p> <p>NOTE</p> <ul style="list-style-type: none">• Some areas have relatively large amounts of lime in their water. This may reduce the lifecycle of the filter. In these areas, you will have to replace the water filter more often than specified above.• If water is not dispensing properly, the water filter is most likely clogged. Even if the Filter indicator is not blinking, replace the water filter.
--------------	---

05 Override (3 sec)

Override	The Override function activates/deactivates Smart Grid. Press Override for 3 seconds to set the Override function on or off.
----------	---

06 Door Alarm / °C ↔°F (3 sec)

Door Alarm	You can enable or disable the door alarm by pressing Door Alarm . When Door Alarm is enabled and a door is left open for more than 2 minutes, the alarm will sound and the alarm indicator will blink. The Door Alarm function is enabled by factory default.
°C ↔°F	You can use the Door Alarm button to switch the temperature scale between Celsius and Fahrenheit. To switch the temperature scale, press and hold Door Alarm for 3 seconds.

07 Control Lock (3 sec)

Control Lock	To prevent accidental setting changes, press and hold Control Lock for 3 seconds. Main panel will be disabled and the Lock indicator (—) will turn on. If you press and hold the button again for more than 3 seconds, Control Lock will be deactivated. However, Control Lock will be reactivated if no button is input for the next 1 minute.
Device authentication	To authenticate your device, press and hold Control Lock for 5 seconds. A chime sounds with a message of 'on' on the temperature display for 5 seconds. Authorized devices can be used with Samsung Smart TV apps where the privacy information on the refrigerator can be shared to the TV. Availability of this function depends on the device model.

Operations

08 Network connection

You can control and monitor your refrigerator through the SmartThings app. For more information, see the SmartThings section.

NOTE

- Recommended encryption systems include WPA/TKIP and WPA2/AES. Any newer or unstandardized Wi-Fi authentication protocols are not supported.
- Wireless networks may be affected by the surrounding wireless communication environment.
- If your Internet service provider has registered the MAC address of your PC or modem for identification, your Dacor Smart Refrigerator may fail to connect to the Internet. If this happens, contact your Internet service provider for technical assistance.
- The firewall settings of your network system may prevent your Dacor Smart Refrigerator from accessing the Internet. Contact your Internet service provider for technical assistance. If this symptom continues, contact a local Dacor service center or retailer.
- To configure the wireless access point (AP) settings, see the user manual of the AP.
- Dacor Smart Refrigerators support both Wi-Fi 2.4 GHz with IEEE 802.11 b/g/n and Soft-AP protocols (IEEE 802.11 n is recommended).
- Unauthorized Wi-Fi wireless routers may fail to connect to applicable Dacor Smart Refrigerators.

09 Sabbath mode

The Sabbath mode stays active for 85 hours once it is activated. After that, it will be deactivated automatically.

- To activate, press and hold **Fridge** and **Door Alarm** simultaneously for 5 seconds to enter Sabbath mode. Then the refrigerator operates in Sabbath mode where the buttons, the display, and the room lamps are all under control.
- To deactivate, press and hold the buttons again for 5 seconds to exit Sabbath mode.

NOTE

- If the Control Lock indicator turns on, you must first deactivate Control Lock.
- Even after the refrigerator powers off and restarts, the Sabbath mode remains active. To exit, you must deactivate it first.
- If two refrigerator units are installed in pairs, you must set or change the settings of Sabbath mode for each refrigerator respectively.

10 Cooling Off

Cooling Off mode (also called Shop mode) is designed for use by retailers when they are displaying refrigerators on a retail floor.

In Cooling Off mode, the fan motor and lights operate normally, but the compressors do not run so the refrigerator does not get cold.

- To enter Cooling Off mode, press and hold **Deodorizer Reset**, **Filter Reset**, and **Override** simultaneously for 5 seconds. The fridge chime sounds and the temperature display shows “oF”.
- To exit Cooling Off mode, press and hold **Deodorizer Reset**, **Filter Reset**, and **Override** simultaneously for 5 seconds again. The fridge chime sounds and the temperature display shows the current temperature.

NOTE

If the Control Lock indicator turns on, you must first deactivate Control Lock.

Operations

SmartThings

Installation

Visit the Google Play Store, Galaxy Store, or Apple App Store and search for “SmartThings”. Download and install the SmartThings app provided by Samsung Electronics to your smart device.

NOTE

- The supporting software version of the SmartThings app is subject to change according to the OS supporting policy the manufacturer provides. In addition, as for the SmartThings app or the functions that the app supports, the new application update policy on the existing OS version can be suspended due to usability or security reasons.
- The SmartThings app is subject to change without notice to improve usability or performance. As the mobile phone OS version is updated every year, the SmartThings is also updated continually according to the latest OS. If you have enquiries regarding the items mentioned above, please contact us on st.service@samsung.com
- Recommended encryption systems include WPA/TKIP and WPA2/AES. Any newer or non-standard Wi-Fi authentication protocols are not supported.
- In addition, further updates on the app or the function in the app may stop due to usability and security reasons, even if updates are currently supported on your OS.
- Wireless networks may be affected by the surrounding wireless communication environment.
- If your Internet service provider has registered the MAC address of your PC or modem for identification, your Dacor Smart Refrigerator may fail to connect to the Internet. If this happens, contact your Internet service provider for technical assistance.
- The firewall settings of your network system may prevent your Dacor Smart Refrigerator from accessing the Internet. Contact your Internet service provider for technical assistance. If this symptom continues, contact a local Dacor service center or retailer.
- To configure the wireless access point (AP) settings, see the user manual of the AP (router).
- Dacor Smart Refrigerators support both IEEE 802.11 b/g/n (2.4 GHz) and 802.11 a/n/ac (5 GHz) protocols. (IEEE 802.11 n and 802.11 ac are recommended.)
- Unauthorized Wi-Fi wireless routers may fail to connect to applicable Dacor Smart Refrigerators.



Samsung account

You are required to register your Samsung account to use the app. If you don't have a Samsung account, follow the app's onscreen instructions to create a free Samsung account.

Getting started

Turn on the device you want to connect, open the SmartThings app on your phone, and then follow the instructions below.

If a pop-up appears saying that a new device has been found, tap **ADD NOW**.

If a pop-up doesn't appear, tap the **+** button, and then select the device you want to connect from the list of available devices.

If your device isn't in the list of available devices, tap **Supported Devices**, select the device type (Refrigerator), and then select the specific device model.

Follow the instructions in the app to set up your device. Once setup is complete, your refrigerator will appear as a "card" on your **Devices** screen.

Refrigerator app

Integrated control

You can monitor and control your refrigerator at home and on the go.

- Tap the refrigerator icon on the SmartThings Dashboard or tap the Devices icon at the bottom of the Dashboard, and then tap the refrigerator "card" to open the Refrigerator page.
- Check the operation status or notifications related to your refrigerator, and then change options or settings if necessary.

NOTE

Some options or settings of the refrigerator may not be available for remote control.



Operations

Category	Item	Description
Monitoring	Fridge temperature	Displays the current temperature setting of the fridge.
	FreshZone settings	Displays the settings of the FreshZone.
	Self Check	Detects abnormal operations of the refrigerator.
	Energy monitoring	Checks the accumulated power consumption of the refrigerator for the last 180 days.
Functions	Power Cool	You can turn Power Cool on or off, and check the current settings.
Alarms	Abnormally high temperature	This alarm is triggered when the fridge has abnormally high temperatures.
	Door opening	This alarm is triggered if the fridge is left open for a specific time.
	Deodorizer filter replacement (applicable models only)	This alarm reminds you that the deodorizer filter must be replaced.
	Water filter replacement	This alarm reminds you that the water filter must be replaced.
Remote View		You can check the inner view of the refrigerator, and use different labels to register item-specific storage periods and keep track of them for food-management purposes.

SMART GRID Function (Demand Response)

When the refrigerator operates in SMART GRID (Demand Response) mode, the Energy Management Refrigerator function can control energy usage or delay the operation of some functions to save money when energy prices or demand are the highest.

NOTE

- You can deactivate the SMART GRID (Demand Response) function at any time using the Override On/Off function.)
- To use the SMART GRID (Demand Response) function, you need a separate contract with your electric utility company.

In addition, to use the Smart Grid (Demand Response) function, you must register for the service with your electric company. The company must have an EMS (Energy Management System) that supports SEP (Smart Energy profile).

Using the SMART GRID (Demand Response) Function

This feature monitors energy prices and demand information from your utility company and sends notifications to the refrigerator to run high energy consuming tasks during off-peak times when electricity costs and demand are lower.

If the refrigerator receives a control signal from the utility company, the refrigerator will display the **DAL** (L3) ~ **TALR** (L4) levels on the refrigerator display and control the power consumption according to the level.

[Exception condition] The **DAL** and **TALR** control signals from a utility company work as long as product performance is maintained.

If the refrigerator receives the SMART GRID (Demand Response) signal (**DAL** or **TALR**), the refrigerator will operate in Delay Appliance Load (Display: Turn on “**DAL**” icon) or Temporary Appliance Load Reduction (Display: Turn on “**TALR**” icon) mode.

- Delay Appliance Load (L3): The refrigerator responds to a **DAL** signal by providing a moderate load reduction for the duration of the delay period. This function controls functions that consume a lot of energy such as adjusting the Cooling system, running the defrost cycle, and making ice.
 - When the refrigerator operates in **DAL** (L3) mode, turn on the “**DAL**” icon on the refrigerator display.
 - **DAL** mode is automatically deactivated after it lasts for the amount of time stipulated by the **DAL** signal (max. 4.5 hours) or when the Override key is pressed.

Operations

- Temporary Appliance Load Reduction (L4): The refrigerator responds to a **TALR** signal by aggressively reducing the load for a short time period. This function reduces energy consumption by stopping the compressor and controlling the functions that consume a lot of energy such as the defrost cycle and making ice.
 - When the refrigerator operates in **TALR** (L4) mode, turn on the “**TALR**” icon on the refrigerator display.
 - **TALR** (L4) mode is automatically deactivated after it lasts for the received duration (max. 15 minutes), or when the Override key is pressed. The mode is immediately deactivated and the refrigerator returns to the normal state when the door is opened or closed, or the dispenser is used.

To check the MAC address

1. In this mode, the MAC address appears on the temperature panel sequentially for 1 minute.
Press and hold both **Fridge** and **Filter Reset** for 6 seconds. The temperature display blinks. Then, press **Control Lock** to display the MAC address. The fridge beeps.
2. For example, if the MAC address is “11-22-33-44-55-66”, the temperature panel displays the address for 1 minute in this sequence: “--” → “11” → “22” → “33” → “44” → “55” → “66” → “--”.
After the 1 minute, the MAC address disappears and the temperature panel returns to the normal state.

NOTE

The temperature panel displays “-- / --” for an unknown MAC address or if a Wi-Fi connection is not established or is lost.

Override Mode

When you want the refrigerator to ignore the SMART GRID (Demand Response) signal from the utility company, you can activate OVERRIDE mode.

When you activate OVERRIDE mode, the refrigerator ignores the SMART GRID (Demand Response) signal and is not controlled by the utility company.

Activating and deactivating Override mode

1. Press and hold **Override** for 3 seconds.
2. A chime sounds with a message of ‘Or’ on the temperature display for 5 seconds. The Override indicator (—) turns on.
3. If the refrigerator receives a SMART GRID (Demand Response) signal from the utility company, ‘Or’ is displayed in the fridge temperature display.
4. To deactivate OVERRIDE mode, press and hold **Override** for 3 seconds.
5. A chime sounds with a message of ‘Or’ on the temperature display for 5 seconds. The Override indicator (—) turns off.

NOTE

- Alternatively, you can activate or deactivate OVERRIDE mode using the SmartThings app and the Energy Management function. See the next page.

Using the Energy Management Function

The Energy Management function enables you to control and monitor your Energy Management refrigerator using the SmartThings app for your convenience.

NOTE

- To use the Energy Management refrigerator functions, you have to install the corresponding app first.
1. Operational Status, User Settings & Messages
 - You can view the fridge temperature settings.
 - You can receive an alarm when the fridge door is open for 2 minutes.
 - You can check the DR and Override status.
 2. Remote Management
 - Power Cool Setting: You can remotely activate the Power Cool function.
 3. Energy Consumption Reporting
 - Shows the accumulated power consumption. Power consumption data is updated every 10 minutes.

NOTE

The energy consumption report may differ from the power consumption specifications of the product depending on the operating environment and the stored food.

4. Delay Defrost Capability
 - The Delay Defrost Capability function saves energy by delaying the defrost operation to a time specified by the user. You can configure the time, and this function will save energy during the specified period in a 24 hour cycle. If the time is not set, the function works with the default time settings. The default time settings are below:
 - 6 am to 10 am: 1st. November ~ 30th. April
 - 3 pm to 7 pm: 1st. May ~ 31th. October

To change the time setting for the Delay Defrost Capability

You can change the time setting for the Delay Defrost Capability on the app.

Operations

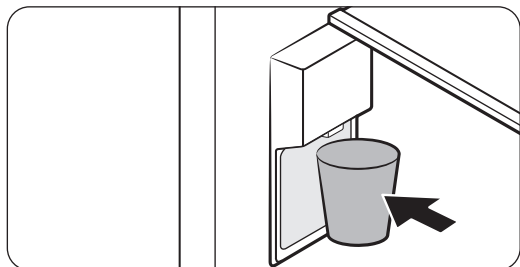
Provision for Open Access to the Connected Product Requirements

1. SGIP Open Standards (Smart Energy Profile 2.0 - <http://www.csep.org/>)
 - Energy Consumption Reporting
 - Demand Response
2. OPEN API
 - Operational Status, User Settings & Messages
 - ICE Maker Status: GET /devices/0/Fridge/iceMaker
 - Door Open Alarm: GET /devices/0/Door/⟨⟨id⟩⟩/openState
 - DR Status: GET /devices/0/drlc
 - Delay Defrost Capability
 - Set Schedule of the Defrost Delay: PUT /devices/0/fridge/⟨⟨id⟩⟩/DefrostReservation
 - Get Schedule of the Defrost Delay: GET /devices/0/fridge/⟨⟨id⟩⟩/DefrostReservation
 - Delete Schedule of the Defrost Delay: DELETE /devices/0/fridge/⟨⟨id⟩⟩/DefrostReservation
 - Defrost Delay On/OFF: PUT /devices/0/Fridge/delayDefrost

Special features

Water dispenser

The dispenser lets you conveniently enjoy chilled water.



To dispense chilled water, put a water glass on the dispenser lever and push it. Chilled water will be dispensed from the dispenser.

CAUTION

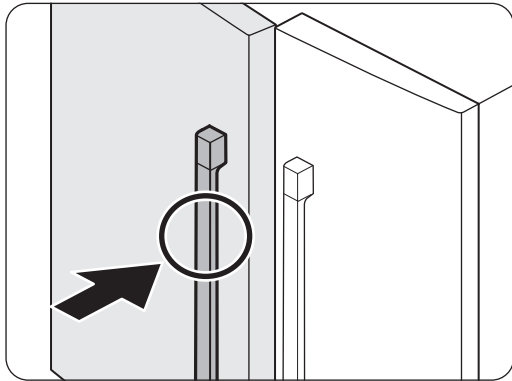
- For first-time use or after you have replaced the water filter, dispense 3 gallons of water (for about 6 minutes) to remove impurities from the water line beforehand.
- If you are going for a business trip or leave home for an extended period of time, shut off the water supply to the refrigerator and close the water valve. This will help prevent an accidental leak.
- Use the new hose-sets supplied with the appliance only. Do not re-use an old hose set.

NOTE

- To prevent spills, wait a second before removing the glass after dispensing. Then, the dispenser lever returns to its position.
- The dispenser will stop dispensing if you keep pushing the dispenser lever for about 1 minute. To dispense more water, release and push the lever again.
- Make sure the glass is in line with the dispenser to prevent the dispensed water from spilling out.

Operations

Auto Door Open system

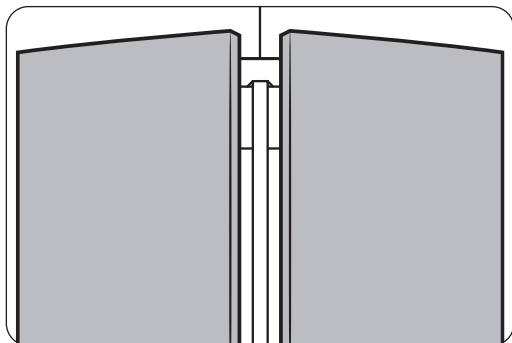


The auto door open system helps the effortless opening of the door with the help of mechanical device.

To open the door with mechanical assistance, simply push the door handle. Then, the door opens automatically.

Touching or snapping does not trigger the auto door open system.

Closing the door early during the auto door system could casues kit damage.



NOTE

- By default, the system is turned on.
- The system is not triggered immediately after the door is closed. Allow 2 seconds and try again. This is not a system failure.
- When the door opens by the system, it remains open for 2 seconds and closes automatically.
- You can adjust the pressure sensitivity. To maximize the pushing sensitivity, press and hold both **Deodorizer Filter Reset** and **Water Filter Reset** simultaneously for 3 seconds. The display shows “01” for 3 seconds. To cancel, press and hold the two buttons for 3 seconds again. The display changes to “00”.

CAUTION

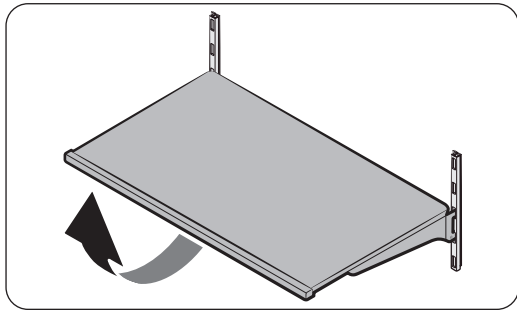
Do not push back the door while it is open. It may cause the mechanical failure of the system.

- The effort to push the door differs by the conditions. It increases right after the door is closed or the refrigeration cycle is turned on by the suction pressure from inside.
- When refrigerators are installed in pair, it is possible that the system can be triggered by closing the door of the adjacent refrigerator. It may happen when the door is closed hard or when the refrigerators are not fixed tight to the cabinet.

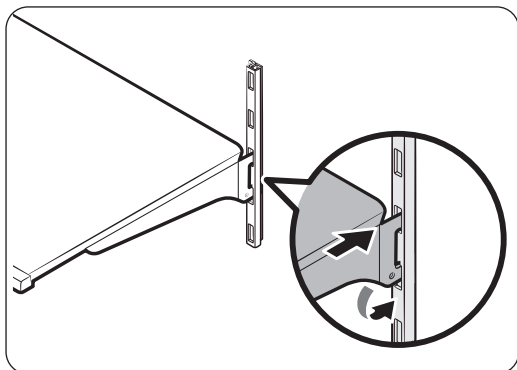
Operations

Handle and care

Tempered glass shelves



To remove a shelf, fully open the corresponding door. Hold the front of the shelf, and then gently lift up and slide out.

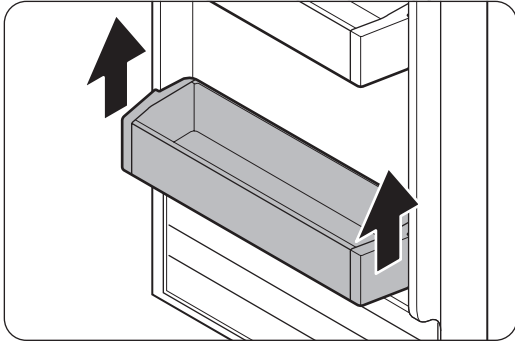


To reinsert, hold the shelf at an angle so the front is higher than the back, and then insert the top hook into the top shelf notch. Then, lower the shelf and insert the bottom shelf hook into the bottom shelf notch.

CAUTION

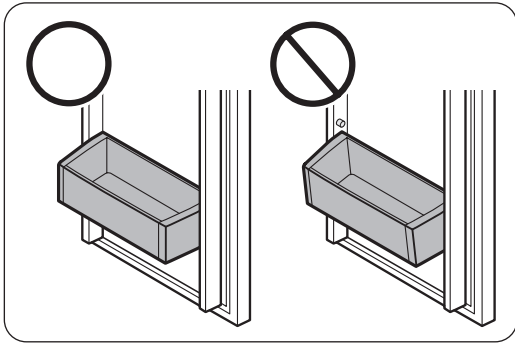
When removing or inserting the shelf, use caution not to scratch the metal/porcelain sides of the refrigerator.

Door bins



To remove, lift up the door bin, and then pull out straight.

The door bin may not move well at first-time use. If this is the case, remove the inner cap of the door first, and then try again.

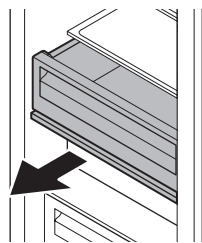


CAUTION

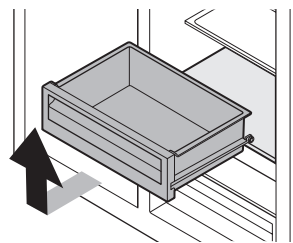
The door bin has 4 fitting holes, 2 for each side. When reinserting the door bin, make sure the 2 holes on one side of the door bin fit into 2 guiding fittings on the corresponding side of the door. In short, 4 holes of the door bin fit in 4 fittings of the door. Otherwise, the door bin cannot be inserted level.

Drawers

To remove, gently lift up the front of the drawer and slide out. We recommend that you remove the door bins before removing the drawer. This is to prevent damage to the door bins.



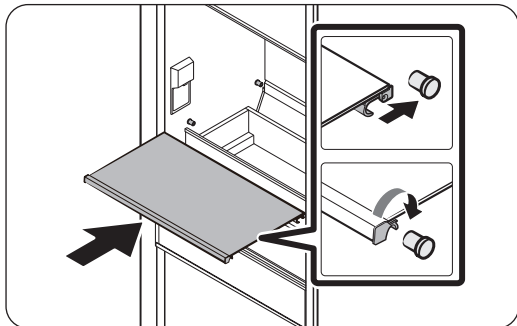
Pulling the Drawers



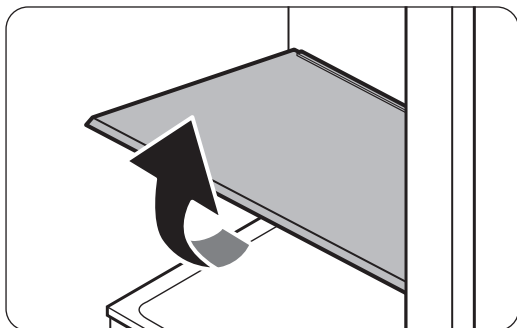
Removing the Drawers

Operations

Metal Shelf

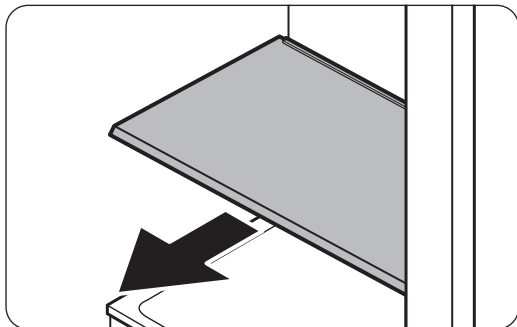


By design, the drawer covers lock into the tabs on each corner of both walls. To attach or detach the cover, make sure the cover locks into or is released from the tabs.



To detach the cover, hold both front sides of the cover. Lift the cover and pull it to the front. Make sure the cover is released from the tabs.

To attach the cover, insert the cover and put it over on the tabs. Gently press it down to lock into the tabs.



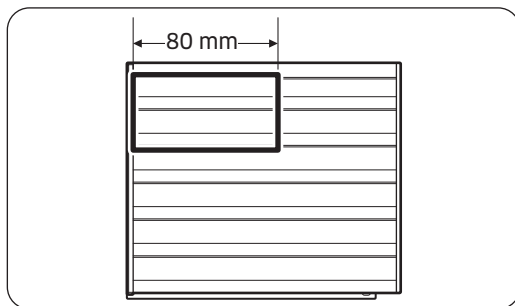
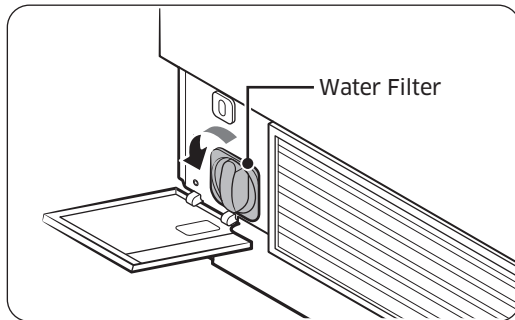
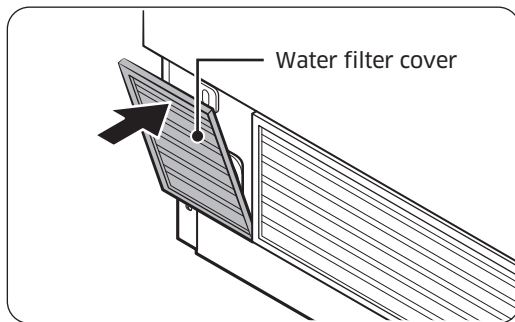
Replacement

Water filter

WARNING

- Do not use third-party water filters. Use only Dacor-provided or approved filters.
- Unapproved filters may leak and damage the refrigerator, causing electric shock. Dacor is not responsible for any damage that may occur from use of third-party water filters.

The filter indicator (—) turns red to let you know it is time to replace the water filter. Before replacing the filter, make sure the water supply line is shut off.



1. Open up the Water Filter cover on the left bottom of the refrigerator.
2. Turn the dispenser filter counter clockwise to remove.
3. Replace with a new dispenser filter.
4. Close the Water Filter cover.
5. Press and hold **Filter Reset** on the feature panel for 3 seconds to reset the life cycle detector. The filter indicator (—) turns off.
6. When you are done replacing the filter, open the water valve and run water through the dispenser for about 7 minutes. This is to remove impurities and air from the water line.

NOTE

The Water Filter cover can be opened only by pressing the marked area in the left figure.

Operations

NOTE

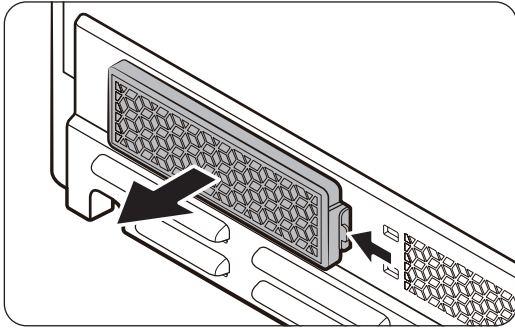
- A newly installed filter may cause the water dispenser to spurt water briefly. This is because air has entered the waterline.
- The replacement process may cause the water dispenser to drip for a short period of time. If it drips, simply wipe up any water on the floor with a dry towel.

Ordering a new filter

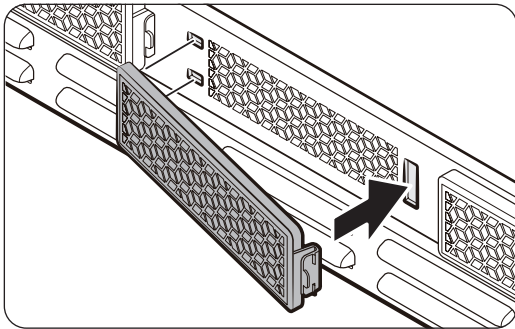
To purchase a new water filter, contact a local service agent.

Deodorizer filter

- The overall design and/or accessories may differ with the model.



To remove, take out the FreshZone drawer first to reveal the filter on the rear wall. Hold down the tabs of the filter to unlock and remove.



To insert, insert the rear of the filter first, and then push the front to lock into position.

NOTE

The lifecycle of the deodorizer filter is 18 months, which differs depending on the use conditions. You can purchase a new filter at a local Dacor service center.

LED Lights

To replace the LED lights on the refrigerator, contact a local service agent.

WARNING

The LED lights are not user-serviceable. Do not attempt to replace an LED light yourself. This can cause electric shock.

Care and Maintenance

Cleaning

WARNING

- Do not use benzene, thinner, or home/car detergent such as Clorox™ for cleaning. They may damage the surface of the refrigerator and cause a fire.
- Do not spray water onto the refrigerator. This may cause electric shock.
- Do not put fingers or any objects into the dispenser outlet.

Regularly use a dry cloth to remove all foreign substances such as dust or water from the power plug terminals and contact points.

1. Power off the refrigerator.
2. Use a moistened, soft, lint-free cloth or paper towel to clean the refrigerator's interior and exterior.
3. When done, use a dry cloth or paper towel to dry well.
4. Power on the refrigerator.

Troubleshooting

Before calling for service, review the checkpoints below. Any service calls regarding normal situations (No Defect Cases) will be charged to users.

General

Temperature

Symptom	Possible causes	Solution
Fridge/freezer does not operate. Fridge/freezer temperature is warm.	<ul style="list-style-type: none">Power cord is not plugged in properly.	<ul style="list-style-type: none">Properly plug in the power cord.
	<ul style="list-style-type: none">Temperature control is not set correctly.	<ul style="list-style-type: none">Set the temperature lower.
	<ul style="list-style-type: none">Refrigerator is located near a heat source or direct sunlight.	<ul style="list-style-type: none">Keep the refrigerator away from direct sunlight or a heat source.
	<ul style="list-style-type: none">Not enough clearance between refrigerator and sides/rear.	<ul style="list-style-type: none">Make sure there are at least 5 cm from the rear and sides.
	<ul style="list-style-type: none">The refrigerator is overloaded. Food is blocking the refrigerator vents.	<ul style="list-style-type: none">Do not overload the refrigerator. Do not allow food to block ventilation.
Fridge/freezer is over-cooling.	<ul style="list-style-type: none">Temperature control is not set correctly.	<ul style="list-style-type: none">Set the temperature higher.

Troubleshooting

Odors

Symptom	Possible causes	Solution
Refrigerator has odors.	<ul style="list-style-type: none">Spoiled food.	<ul style="list-style-type: none">Clean the refrigerator and remove any spoiled food.The lifecycle of the deodorizer filter is 18 months, which differs depending on the use conditions.
	<ul style="list-style-type: none">Food with strong odors.	<ul style="list-style-type: none">Make sure strong smelling food is wrapped airtight.

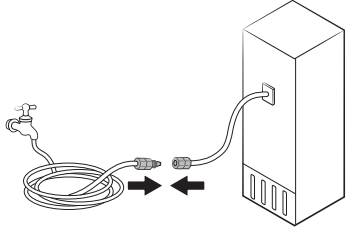
Frost

Symptom	Possible causes	Solution
Frost around the vents.	<ul style="list-style-type: none">Food is blocking the vents.	<ul style="list-style-type: none">Make sure no food blocks the refrigerator vents.
Frost on interior walls.	<ul style="list-style-type: none">Door is not closed properly.	<ul style="list-style-type: none">Make sure food does not block the door. Clean the door gasket.

Condensation

Symptom	Possible causes	Solution
Condensation forms on the interior walls.	<ul style="list-style-type: none">If door is left open, moisture enters the refrigerator.	<ul style="list-style-type: none">Remove the moisture and do not open the door for a long time.
	<ul style="list-style-type: none">Food with high moisture content.	<ul style="list-style-type: none">Make sure food is wrapped airtight.

Water

Symptom	Possible causes	Solution
Water flow is weaker than normal.	<ul style="list-style-type: none"> Water pressure is too low. 	<ul style="list-style-type: none"> Make sure the water pressure is between 20 and 120 psi (138 and 872 KPa).
Water does not dispense.	<ul style="list-style-type: none"> Water line is not connected properly or water supply is not on. 	<ul style="list-style-type: none"> Check the water installation conditions. 
	<ul style="list-style-type: none"> Do not use third-party water filters. 	<ul style="list-style-type: none"> Use only Dacor-provided or approved filters. Unapproved filters may leak and damage the refrigerator.
	<ul style="list-style-type: none"> Water filter indicator turns on or blinks. 	<ul style="list-style-type: none"> Replace the water filter. After replacing, reset the filter indicator sensor.

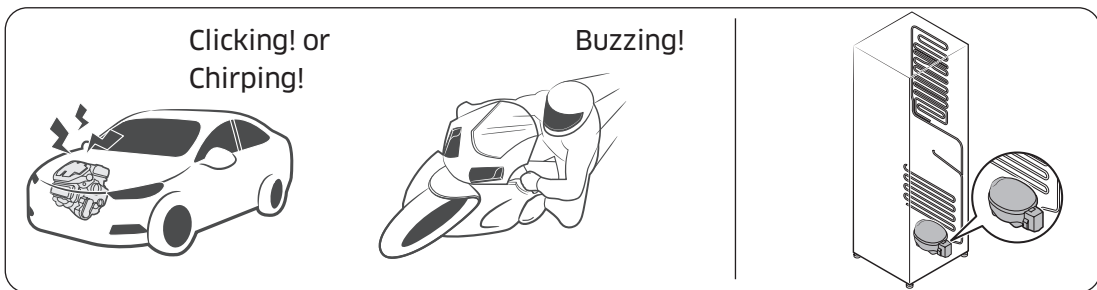
Troubleshooting

Do you hear abnormal sounds from the refrigerator?

Before calling for service, review the checkpoints below. Any service calls related to normal sounds will be charged to the user.

These sounds are normal.

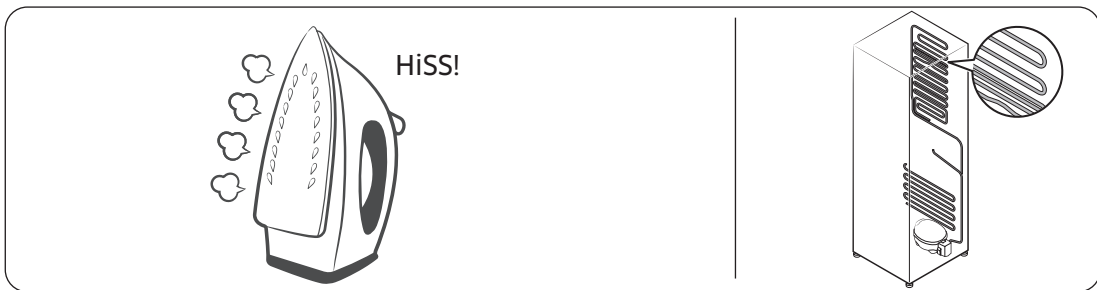
- When starting or ending an operation, the refrigerator may make sounds similar to a car engine igniting. As the operation stabilizes, the sounds will decrease.



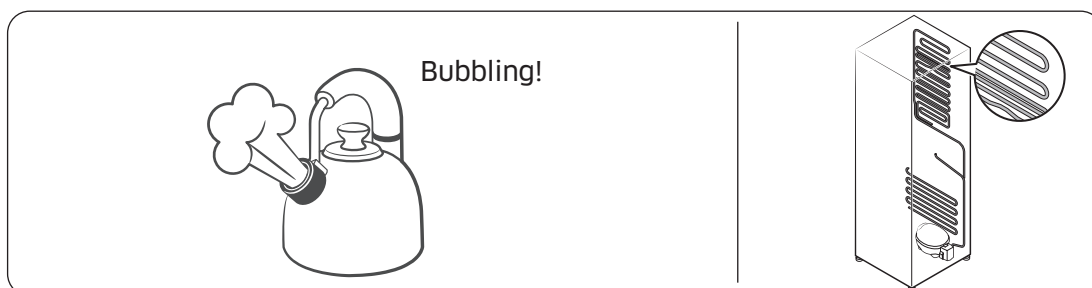
- While the fan is operating, these sounds may occur. When the refrigerator reaches the set temperature, no fan sound will occur.



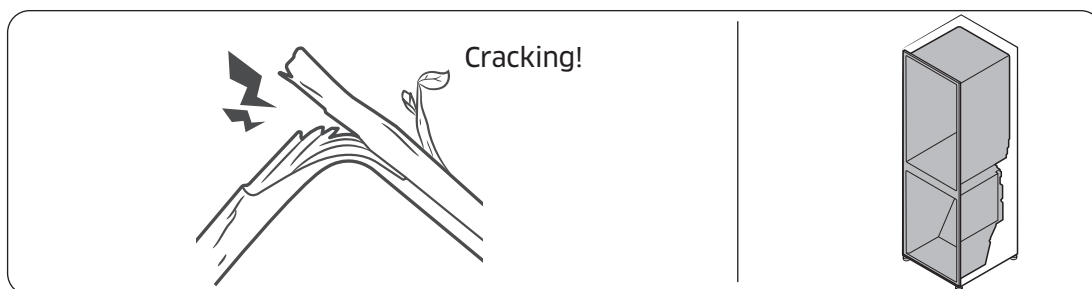
- During a defrost cycle, water may drip on the defrost heater, causing sizzling sounds.



- As the refrigerator cools or freezes, refrigerant gas moves through sealed pipes, causing bubbling sounds.



- As the refrigerator temperature increases or decreases, plastic parts contract and expand, creating knocking noises. These noises occur during the defrosting cycle or when electronic parts are working.



- For ice maker models: When the water valve opens to fill the ice maker, buzzing sounds may occur.
- Due to pressure equalizing when opening and closing the refrigerator door, whooshing sounds may occur.

Troubleshooting

Auto Door Open (ADO)

Symptom	Action
Auto Door Open(ADO) is not working.	<ul style="list-style-type: none">• Turn on Auto Door Open switch. (factory setting is turn off about Auto Door Open switch)• In case of trying to open again directly after use of refrigerator, Auto Door Open system can not working normally. It becomes the normal operation within 1 minute automatically. Try again gently after 1 minute.
When closing the door, the other door opens (Pair installation).	<ul style="list-style-type: none">• When closing the door of one refrigerator, the door of the other refrigerator (installed in a pair) may be opened. This occurs if the door sensor of the other refrigerator is triggered, and is not a system failure. The opened door will be closed in a moment by the Auto Close system.

SmartThings

Symptom	Action
Could not find "SmartThings" in the app market.	<ul style="list-style-type: none"> The supporting software version of the SmartThings app is subject to change according to the OS supporting policy the manufacturer provides. In addition, as for the SmartThings app or the functions that the app supports, the new application update policy on the existing OS version can be suspended due to usability or security reasons.
The SmartThings app fails to operate.	<ul style="list-style-type: none"> The SmartThings app is available for applicable models only. The old Dacor Smart Refrigerator app cannot connect with Dacor Smart Home models.
The SmartThings app is installed but is not connected to my refrigerator.	<ul style="list-style-type: none"> You must log into your Samsung account to use the app. Make sure that your router is operating normally. If the Wi-Fi icon on the refrigerator's display is off, this indicates that no network connection has been established yet. In this case, use the SmartThings app to connect and register your refrigerator to the access point (AP) of your house.
Could not log into the app.	<ul style="list-style-type: none"> You must log into your Samsung account to use the app. If you don't have a Samsung account, follow the app's onscreen instructions to create one.
An error message appears when I try to register my refrigerator.	<ul style="list-style-type: none"> Easy Connection may fail due to the distance from your access point (AP) or electrical interference from the surrounding environment. Wait a moment and try again.
The SmartThings app is successfully connected to my refrigerator but does not run.	<ul style="list-style-type: none"> Exit and restart the SmartThings app, or disconnect and reconnect the router. Power off the refrigerator, and then power it on again after 1 minute.

Troubleshooting

Smart Grid

Symptom	Action
What Do I Need to use the Energy Management and Smart Grid functions?	<ul style="list-style-type: none"> To use the Smart Grid (Demand Response) and Energy Management function on your Refrigerator, you need the following devices and apps: <ul style="list-style-type: none"> Devices: 1) A Wireless Router, 2) A SmartThings Refrigerator, 3) A Smartphone. (Recommended: Android OS 6.0 or later version) Applications: 1) "SmartThings App" from the Google Play Store. You also need to: <ul style="list-style-type: none"> Connect the Refrigerator and the Smartphone to the same Wi-Fi network in your home. Install and run the SmartThings App on your Smartphone. In addition, to use the Smart Grid (Demand Response) function, you must Register for the service with your electric company. The company must have an EMS (Energy Management System) that supports SEP (Smart Energy profile).
Why isn't the Energy Management function working normally?	<ul style="list-style-type: none"> Confirm that the router in your home and the internet are working properly. <ul style="list-style-type: none"> Connect a Smartphone to the router (AP, Access Point), and then confirm that you can browse the Internet on the phone. Confirm that refrigerator is connected to the AP. <ul style="list-style-type: none"> Check for Wi-Fi icon on the panel of the refrigerator. If the refrigerator is connected, the icon will be on. Confirm that the refrigerator and Smartphone are connected to the same router.
Why isn't the Delay Defrost Capability working normally?	<ul style="list-style-type: none"> Confirm that the router in your home and the Internet are working properly. Connect a Smartphone to the router (AP, Access Point), and then confirm that you can browse the Internet on the phone. Confirm that the rear where you live is properly entered into the SmartThings App. Confirm that the Smart Grid function works correctly. (Check the control panel. The DAL or TALR icon should not be displayed on the panel.)

Warranty

Customer Service

Before you request help or schedule service:

1. Try the Solutions offered in the Problem–Solution table in the “Troubleshooting” section.
2. Become familiar with the warranty terms and conditions of your product.
3. If none of these tips or suggestions resolves your problem, visit dacor.com or call our Customer Service center at (833) 353-5483 (United States), (844) 509-4659 (Canada)

United States - Warranty

CERTIFICATE OF WARRANTY ON DACOR REFRIGERATOR - UNITED STATES:

FULL TWO-YEAR WARRANTY

This warranty covers any defects in materials or workmanship in the Dacor-branded new appliance purchased from a Dacor Authorized Dealer or other seller authorized by Dacor.

This full warranty runs for two years starting from the date of delivery or closing date for new construction, whichever period is longer. Dacor will repair or replace your product.

LIMITED WARRANTY

After the Full Warranty period has ended, this product is warranted against defects in materials or workmanship reported to us during the applicable warranty periods as follows:

Years 3-6 of your ownership - Parts and Labor on Sealed System	For the third through sixth years of your ownership, we will pay for factory specified parts and repair labor costs to correct defects in materials or workmanship in the sealed refrigeration system (the compressor, evaporator, condenser, dryer and connecting tubing).
Years 7-10 of your ownership - Parts only on the Sealed System	For the seventh through tenth years of your ownership, we will pay for factory-specified parts only to correct defects in the sealed refrigeration system.

Warranty

Cosmetic Defects. In addition, for 60 days from the date of delivery, your product is warranted to be free from cosmetic defects in material and workmanship (such as scratches of stainless steel, paint/porcelain blemishes, chip, dents, or other damage to the finish). Color variations are excluded, and display, floor-model, “as-is” or refurbished products are specifically excluded.

COVERAGE LIMITATIONS

Service will be provided by a Dacor designated service company during regular business hours. Please note service providers are independent entities and are not agents of Dacor.

The owner must provide proof-of-purchase, proof of delivery, and/or a closing statement for new construction upon request. All Dacor products must be accessible for service.

Warranty will be null and void on product that has altered, defaced, or missing serial numbers and tags.

Warranty is null and void if non-CSA approved product is transported from the U.S.A.

WHAT IS NOT COVERED

<ul style="list-style-type: none"> • Due to differences in painted parts, kitchen lighting, product placement, and other factors; this warranty does not apply to color variation. 	<ul style="list-style-type: none"> • Service calls to educate the customer on proper use and care of the product.
<ul style="list-style-type: none"> • Service fees for travel to islands and remote areas, which include but are not limited to, ferries, toll roads, or other travel expenses. 	<ul style="list-style-type: none"> • Consequential or incidental damage, including but not limited to: food or medicine loss, time away from work, or restaurant meals.
<ul style="list-style-type: none"> • Commercial, business, or rental use, or any application other than residential consumer use. 	<ul style="list-style-type: none"> • Failure of the product caused by improper product installation.
<ul style="list-style-type: none"> • Replacement of house fuses, fuse boxes, or resetting of circuit breakers. 	<ul style="list-style-type: none"> • Damage caused by accident, fire, flood, power interruption, power surges, or acts of God.
<ul style="list-style-type: none"> • Liability or responsibility for damage to surrounding property including cabinetry, floors, ceilings and other structures or objects. 	<ul style="list-style-type: none"> • Breakage, discoloration or damage to glass, metal surfaces, plastic components, trim, paint, or other cosmetic finish caused by improper usage, care, abuse, or neglect.
<ul style="list-style-type: none"> • Except as noted above, consumable parts such as filters and light bulbs are not covered and are the responsibility of the purchaser. 	

Warranty

THE REMEDIES PROVIDED IN THE ABOVE EXPRESS WARRANTIES ARE THE SOLE AND EXCLUSIVE REMEDIES. THEREFORE, NO OTHER EXPRESS WARRANTIES ARE MADE, AND OUTSIDE THE FIFTY STATES OF THE UNITED STATES AND CANADA, ALL IMPLIED WARRANTIES, INCLUDING BUT NOT LIMITED TO, ANY IMPLIED WARRANTY OF MERCHANTABILITY OR FITNESS FOR A PARTICULAR USE OR PURPOSE, ARE LIMITED IN DURATION TO ONE YEAR FROM THE DATE OF ORIGINAL PURCHASE. IN NO EVENT SHALL DACOR BE LIABLE FOR INCIDENTAL EXPENSE OR CONSEQUENTIAL DAMAGES. IN THE EVENT DACOR PREVAILS IN ANY LAWSUIT, DACOR SHALL BE ENTITLED TO REIMBURSEMENT OF ALL COSTS AND EXPENSES, INCLUDING ATTORNEY'S FEES, FROM THE DACOR CUSTOMER. NO WARRANTIES, EXPRESS OR IMPLIED, ARE MADE TO ANY BUYER FOR RESALE.

Some states do not allow limitations on how long an implied warranty lasts, or do not allow the exclusion or limitation of inconsequential damages, therefore the above limitations or exclusions may not apply to you. This warranty gives you specific legal rights, and you may also have other rights that vary from state-to-state.

Warrantor: Samsung Electronics America, Inc.
700 Sylvan Avenue, Englewood Cliffs, NJ 07632

CANADA - Warranty

CERTIFICATE OF WARRANTY ON DACOR REFRIGERATOR - CANADA:

This Limited Warranty covers only those Products supplied and distributed in Canada by us and delivered new, in the original carton or packaging, to the original consumer purchaser that are purchased from an authorized reseller or distributor, except as otherwise stated herein. Except where prohibited by applicable provincial law, only the original consumer purchaser of the Product has any rights under this Limited Warranty and this Limited Warranty may not be transferred or assigned.

Any additional statements such as dealer advertising or presentation, whether oral or written, that make additional warranties or modifications to this Limited Warranty do not constitute warranties by us and should not be relied upon.

1. WHAT IS COVERED AND FOR HOW LONG

We warrant to the original purchaser (“Purchaser”) that your Dacor Refrigerator purchased from an authorized reseller or distributor in Canada (the “Products”) is free from defects in material and workmanship encountered in normal use for the warranty period identified below, effective as of the date of purchase or closing date for new construction, whichever period is longer.

Dacor Product or Part	Warranty Period and Warranty Coverage
Refrigerator	Two (2) Years: Parts and Labour
Refrigerator Sealed System (compressor, evaporator, condenser, dryer and connecting tubing)	Six (6) Years: Parts and Labour
Refrigerator Sealed System (compressor, evaporator, condenser, dryer and connecting tubing)	Ten (10) Years: Parts Only

Cosmetic Defects. For sixty (60) days from the date of purchase, the Product is warranted to be free from cosmetic defects in material and workmanship (such as scratches of stainless steel, paint/porcelain blemishes, chip, dents, or other damage to the finish). Color variations are excluded, and display, floor-model, “as-is” or refurbished products are specifically excluded.

Warranty

2. COVERAGE LIMITATIONS

If the Product fails to operate according to the Product's specifications during the applicable warranty period and the failure is due to improper workmanship or defective material, we will repair or replace, at our sole option, and without charge to the Purchaser, the Product or any defective component part of the Product. We may, at our sole option, use rebuilt, reconditioned, or new parts or components when repairing any Product. If the same model Product or part is not available for replacement, we may, at our sole option, replace the Product or part with any rebuilt, refurbished, reconditioned or new Product or part of similar utility and value to the Product or part being replaced.

We expressly reserve the exclusive right, at our sole option, and in lieu of any service, repair or replacement of a Product under this Limited Warranty, to offer the Purchaser a partial refund of the original purchase price paid by the Purchaser for that Product (a "Partial Refund"). The amount of any Partial Refund to be offered shall be determined in our discretion based on the fair market value of the Product given its age and condition. If Purchaser accepts that offer of a Partial Refund, the Purchaser shall be deemed to have released us from any claim or liability whatsoever under this Limited Warranty or under any other applicable express or implied warranty or condition in respect of that Product.

All repaired parts or replaced Products will be warranted for a period equal to the remainder of the original Limited Warranty on the original Product or for 90 days, whichever is longer.

3. WHAT IS NOT COVERED

The remedies provided for in this Limited Warranty are available only within Canada.

This Limited Warranty does not cover any defect, malfunction, failure or damage caused by or resulting from any of the following:

(a) removal, installation, re-installation, maintenance, or service of the Product that was not authorized by us; (b) accident, fire, flood, power interruption, power surges, incorrect line voltage or supply or electrical current, fuses, house wiring, circuit breakers, connectors not supplied by us, unusual electrical or electromechanical stress, acts of God, or acts of nature; (c) misuse, abuse, neglect, mishandling, misapplication, alteration or modification of the Product or any part of the Product; (d) use of the Product in conjunction with products, equipment, utilities, services, parts, supplies, accessories, applications, external wiring, connectors, or ancillary or peripheral equipment not supplied or authorized by us; (e) uses for which the Product was not intended.

Further, this Limited Warranty does not cover: (i) any Product or part from which the serial number has been removed or on which the serial number has been made illegible. Removing the serial number on any Product or rendering it illegible on any Product will immediately void the Limited Warranty for that Product; (ii) any damage whatsoever that occurs during shipment of the Product once the Product has been accepted by the Purchaser; (iii) any damage whatsoever resulting from any failure to follow operating, maintenance or environmental instructions contained in any instruction booklet or owner's manual available in connection with the Product; (iv) service fees for travel to islands and remote areas, which include but are not limited to, ferries, toll roads, or other travel expenses; (v) replacement of house fuses, fuse boxes, or resetting of circuit breakers; (vi) liability or responsibility for damage to surrounding property including cabinetry, floors, ceilings and other structures or objects; (vii) the cost of service calls for instructions, for the correction of installation errors, for customer adjustments that are explained in the Product owner's manual, or where the Product operates according to the Product's specifications. There may be a service charge for service calls made for issues not covered under this Limited Warranty; (viii) breakage, discoloration or damage to glass, metal surfaces, plastic components, trim, paint, or other cosmetic finish caused by improper usage, care, abuse, or neglect; (ix) except as noted above, consumable parts such as filters and light bulbs are not covered and are the responsibility of the Purchaser; (x) commercial, business, or rental use, or any application other than residential consumer use; (xi) colour variation due to differences in painted parts, kitchen lighting, product placement, and other factors;

We do not warrant or guarantee uninterrupted or error-free operation of the Product.

Warranty

4. WHAT ARE THE LIMITATIONS ON IN-HOME WARRANTY SERVICE?

In-home service is subject to availability, and it is not available in all areas of Canada. In-home service will only be provided if the Product is unobstructed and easily accessible from floor level to service personnel. If repair cannot be completed during in-home service or if in-home service is not available in your area, you may be directed to deliver the Product to a Dacor Authorized Service Center for warranty service. The cost of transportation of the Product to and from a Dacor Authorized Service Centre shall be paid by the Purchaser unless we elect to provide that transportation at our discretion.

To receive in-home service, the Purchaser must first contact Dacor Customer Care for problem determination and service procedures. All in-home warranty repairs must be performed by a Dacor Authorized Service Center. Valid proof of purchase must be presented to us at the time that service is requested and before warranty services are rendered.

When in-home service is not available, the Purchaser must return the Product to a Dacor Authorized Service Center for analysis. Assistance on where to deliver the Product can be obtained by contacting our Customer Service center. The cost of transporting the Product to or from the Authorized Service Center must be paid by the Purchaser.

5. WHAT ARE THE LIMITS OF OUR LIABILITY?

EXCEPT AS EXPRESSLY SET FORTH IN THIS LIMITED WARRANTY, OUR LIABILITY IS SUBJECT TO THE FOLLOWING LIMITATIONS:

(A) THE PURCHASER TAKES THE PRODUCT "AS IS" AND WE MAKE NO WARRANTY OR REPRESENTATION OF ANY KIND WHATSOEVER WITH RESPECT TO THE PRODUCT.

(B) THERE ARE NO CONDITIONS, EXPRESS OR IMPLIED, STATUTORY OR OTHERWISE, WITH RESPECT TO THE PRODUCT

(C) IN PARTICULAR, AND WITHOUT LIMITING THE GENERALITY OF THE FOREGOING PARAGRAPHS (A) AND (B), WE MAKE NO WARRANTY, CONDITION OR REPRESENTATION AS TO ANY OF THE FOLLOWING: (i) THE MERCHANTABILITY OF THE PRODUCT OR ITS FITNESS FOR ANY PARTICULAR PURPOSE OR USE; (ii) TITLE OR NON-INFRINGEMENT; (iii) DESIGN, CONDITION, QUALITY, OR PERFORMANCE OF THE PRODUCT; (iv) THE WORKMANSHIP OF THE PRODUCT OR THE COMPONENTS CONTAINED THEREIN; (v) COMPLIANCE OF THE PRODUCT WITH THE REQUIREMENTS OF ANY LAW, RULE, SPECIFICATION OR CONTRACT PERTAINING TO THE PRODUCT.

(D) NOTHING CONTAINED IN ANY INSTRUCTION MANUAL OR OWNER'S MANUAL SHALL BE CONSTRUED TO CREATE AN EXPRESS WARRANTY OF ANY KIND WHATSOEVER WITH RESPECT TO THE PRODUCT.

THE PROVISIONS FOUND IN PARAGRAPHS (E) AND (F) BELOW DO NOT APPLY IN CIRCUMSTANCES WHERE THIS LIMITED WARRANTY IS GOVERNED BY THE LAWS OF THE PROVINCE OF QUEBEC.

(E) ALL IMPLIED WARRANTIES AND CONDITIONS THAT MAY ARISE BY OPERATION OF LAW, INCLUDING ANY APPLICABLE IMPLIED WARRANTY OR CONDITION OF MERCHANTABILITY OR FITNESS FOR A PARTICULAR PURPOSE, ARE HEREBY LIMITED TO THE SAME DURATION OF TIME AS THIS LIMITED WARRANTY. SOME PROVINCES PROHIBIT LIMITATIONS ON HOW LONG AN IMPLIED WARRANTY LASTS, AND THE LIMITATION ON THE DURATION OF THE IMPLIED WARRANTY WILL NOT APPLY TO THE EXTENT THAT THE LIMITATION IS PROHIBITED BY APPLICABLE PROVINCIAL LAW.

(F) WE SHALL NOT BE LIABLE FOR DAMAGES OF ANY KIND (INCLUDING, WITHOUT LIMITATION, ANY INCIDENTAL, SPECIAL, CONSEQUENTIAL OR SIMILAR DAMAGES) THAT RESULT OR ARISE DIRECTLY OR INDIRECTLY FROM ANY OF THE FOLLOWING: (i) THE PURCHASE, USE, OR MISUSE OF THE PRODUCT; (ii) ANY LOSS OF USE OF THE PRODUCT OR INABILITY TO USE THE PRODUCT; (iii) ANY BREACH OF THE EXPRESS WARRANTY; (iv) ANY LOSS OF ANTICIPATED PROFITS OR BENEFITS; (v) ANY LOSS OF FOOD OR CONSUMABLES; (vi) ANY TORT (INCLUDING NEGLIGENCE OR GROSS NEGLIGENCE) OR FAULT COMMITTED BY US, ITS AGENTS OR EMPLOYEES; (vii) ANY BREACH OF CONTRACT; (viii) ANY CLAIM BROUGHT AGAINST THE PURCHASER BY ANY OTHER PARTY. SOME PROVINCES PROHIBIT THE EXCLUSION OR LIMITATION OF INCIDENTAL OR CONSEQUENTIAL DAMAGES, AND THE ABOVE EXCLUSION OF INCIDENTAL OR CONSEQUENTIAL DAMAGES WILL NOT APPLY TO THE EXTENT THAT THE EXCLUSION IS PROHIBITED BY APPLICABLE PROVINCIAL LAW.

(G) THIS WARRANTY GIVES YOU SPECIFIC LEGAL RIGHTS, AND YOU MAY ALSO HAVE OTHER RIGHTS, WHICH VARY FROM PROVINCE TO PROVINCE. THIS LIMITED WARRANTY STATES THE PURCHASER'S EXCLUSIVE REMEDY. EXCEPT WHERE PROHIBITED BY APPLICABLE PROVINCIAL LAW, THIS LIMITED WARRANTY IS NOT TRANSFERABLE WITHOUT OUR EXPRESS CONSENT.

(H) IF ANY PORTION OF THIS LIMITED WARRANTY IS HELD ILLEGAL OR UNENFORCEABLE BY REASON OF ANY LAW, SUCH PARTIAL ILLEGALITY OR UNENFORCEABILITY SHALL NOT AFFECT THE ENFORCEABILITY FOR THE REMAINDER OF THIS LIMITED WARRANTY.

If the Product is purchased from a non-authorized reseller or distributor or purchased outside of Canada, this Limited Warranty does not apply except that the above limitations specified in Sections 5(A) through 5(l) shall apply.

Warrantor in Canada: Samsung Electronics Canada Inc., Mississauga, ON, L5N 0B9 Canada

Warranty

OUTSIDE THE UNITED STATES AND CANADA:

LIMITED FIRST YEAR WARRANTY

If your Dacor product fails to function within one year of the original date of purchase due to a defect in material or workmanship, Dacor will furnish a new part, F.O.B. factory to replace the defective part.

All delivery, installation, labor costs, and other service fees are the responsibility of the purchaser.

NOTICE TO QUEBEC CONSUMERS – Warranty of Availability of Replacement Parts, Repair Services, and Maintenance and Repair Information

Replacement Parts

Although Samsung Canada will use reasonable efforts to make replacement parts available to customers (subject to availability and applicable lead times), Samsung Canada **does not guarantee** the availability of replacement parts within the meaning of the warranty of availability set out in sections 39 (paragraph 3), 39.1 and 39.2 of the Quebec Consumer Protection Act.

To purchase replacement parts and tools for self-repair, please visit:
samsung.com/ca/support/buy-certified-parts

Repair Services

Although Samsung Canada offers repair services for Samsung products through Samsung Authorized Service Centers located in most major urban centers (defined as a city in Canada with a population equal or greater than 50,000) across Canada, Samsung Canada **does not guarantee** the availability of any repair services within the meaning of the warranty of availability set out in sections 39 (paragraph 3), 39.1 and 39.2 of the Quebec Consumer Protection Act in all locations, cities, or regions in Quebec.

To find your nearest Samsung Authorized Service Center, please visit:
samsung.com/ca/support/service-center

Information for Maintenance or Repair

Although Samsung Canada provides information on the maintenance and/or repair of goods for select Samsung products (please visit samsung.com/ca/support/self-repair for more information), Samsung Canada **does not guarantee** the availability of information that is necessary to maintain or repair Samsung products within the meaning of the warranty of availability set out in sections 39 (paragraph 3), 39.1 and 39.2 of the Quebec Consumer Protection Act.

DISCLAIMER OF LIABILITY

Samsung is not liable for any damage or defect determined to be caused by repair by a non-authorized service provider, self-repair or non-professional repair of the product. Samsung is not liable for any resulting damage to the product, person, or property, or any injury or other product safety issue caused by or resulting from any repair, or any attempt to repair, any diagnosis, maintenance, or modification performed by any person, including, but not limited to, any of the following: (i) any indirect, incidental, special, or consequential damages (including but not limited to, damage to or loss of personal or commercial property, damage to reputation, loss of use, cost of purchase of replacement goods, etc.); (ii) any loss of data, goodwill, privacy, or profits or loss of business opportunity; and (iii) any inability to use, or reduced functionality of, the product. Any damage or defect to product resulting from a repair, or an attempt to repair, the product by any person (other than a Samsung certified service provider) will not be covered by the warranty. Samsung's liability shall be limited to the greatest extent permitted by law.

All text, graphics, user interfaces, visual interfaces, photographs, trademarks, and logos (collectively, "Content"), including but not limited to the design, structure, selection, coordination, "look and feel" and arrangement of such Content, contained in this manual is owned, controlled or licensed by or to Samsung, and is protected by trade dress, copyright, patent and trademark laws, and various other intellectual property rights and unfair competition laws.

No part of this manual or the Content may be copied, reproduced, republished, uploaded, posted, publicly displayed, encoded, translated, transmitted or distributed in any way (including "mirroring") to anyone, any entity, any other computer, server, Web site or other medium for publication or distribution or for any commercial purpose, without Samsung's express prior written consent.

Limitation of Liability. WHILE SAMSUNG MAKES ALL REASONABLE EFFORTS TO ENSURE THAT ALL INFORMATION IN THIS MANUAL IS CORRECT, SAMSUNG DOES NOT ASSUME ANY RESPONSIBILITY FOR THE ACCURACY OR COMPLETENESS OF ANY INFORMATION CONTAINED IN THIS MANUAL. SAMSUNG PROVIDES INFORMATION AND MATERIALS CONTAINED IN THIS MANUAL TO YOU ON AN "AS IS" BASIS WITHOUT WARRANTY OF ANY KIND, EITHER EXPRESS OR IMPLIED. SAMSUNG SPECIFICALLY DISCLAIMS ANY LIABILITY FOR ANY DIRECT, INDIRECT, INCIDENTAL, CONSEQUENTIAL OR SPECIAL DAMAGES ARISING OUT OF OR IN ANY WAY CONNECTED WITH YOUR ACCESS TO OR USE OF THE INFORMATION IN THIS MANUAL, INCLUDING BUT NOT LIMITED TO ANY LOSS OR DAMAGE CAUSED BY YOUR RELIANCE ON INFORMATION OBTAINED THROUGH THIS MANUAL. Some jurisdictions do not allow exclusion of certain warranties or limitations of liability, so the above limitations or exclusions may not apply to you. Samsung's liability in any case shall be limited to the greatest extent permitted by law.

Warranty

Samsung reserves the right, at its sole discretion, to change, modify, add or remove portions of any part of this manual at any time. It is your responsibility to check the manual periodically for changes. Your use of the manual will mean that you accept and agree to the terms and conditions set out in this manual. If you do not agree to comply with the terms and conditions of this manual, in whole or in part, please stop using this manual immediately.

Regulatory Notice

FCC Notice

FCC CAUTION:

Any changes or modifications not expressly approved by the party responsible for compliance could void the user's authority to operate the equipment.

Contains Transmitter Module FCC ID: A3LWIDT30Q

This device complies with Part 15 of FCC Rules. Operation is Subject to the following two conditions:

- (1) This device may not cause harmful interference, and
- (2) This device must accept any interference received including interference that cause undesired operation.

For products available in the US and Canadian markets, only channels 1~11 are available. You cannot select other channels.

FCC STATEMENT:

This equipment has been tested and found to comply within the limits for a Class B digital device, pursuant to part 15 of the FCC Rules. These limits are designed to provide reasonable protection against harmful interference in a residential installation.

This equipment generates, uses, and can radiate radio frequency energy and, if not installed and used in accordance with the instructions, may cause harmful interference to radio communications. However, there is no guarantee that interference will not occur in a particular installation. If this equipment does cause harmful interference to radio or television reception, which can be determined by turning the equipment off and on, the user is encouraged to try to correct the interference by one or more of the following measures:

- Reorient or relocate the receiving antenna
- Increase the separation between the equipment and receiver
- Connect the equipment to an outlet that is on a different circuit than the receiver.
- Consult the dealer or an experienced radio/TV technician for help.

FCC RADIATION EXPOSURE STATEMENT:

This equipment complies with FCC radiation exposure limits set forth for an uncontrolled environment.

This equipment should be installed and operated so there is at least 8 inches (20 cm) between the radiator and your body. This device and its antennas must not be co-located or operated in conjunction with any other antenna or transmitter except in accordance with FCC multi-transmitter product procedures.

Regulatory Notice

IC Notice

Contains Transmitter Module IC: 649E-WIDT30Q

The term “IC” before the radio certification number only signifies that Industry Canada technical specifications were met. Operation is subject to the following two conditions : (1) this device may not cause interference, and (2) this device must accept any interference, including interference that may cause undesired operation of the device.

This Class B digital apparatus complies with Canadian ICES-003.

Cet appareil numérique de la classe B est conforme à la norme NMB-003 du Canada.

For products available in the US and Canadian markets, only channels 1~11 are available. You cannot select other channels.

IC RADIATION EXPOSURE STATEMENT:

This equipment complies with IC RSS-102 radiation exposure limits set forth for an uncontrolled environment. This equipment should be installed and operated so there is at least 8 inches (20 cm) between the radiator and your body. This device and its antennas must not be co-located or operated in conjunction with any other antenna or transmitter except in accordance with FCC multi-transmitter product procedures.

SAVE THESE INSTRUCTION

Open Source Announcement

The software included in this product contains open source software. You may obtain the complete corresponding source code for a period of three years after the last shipment of this product by sending an email to <mailto:oss.request@samsung.com>.

It is also possible to obtain the complete corresponding source code in a physical medium such as a CD-ROM; a minimal charge will be required.

The following URL http://opensource.samsung.com/opensource/REF_A20_TZ/seq/0 leads to the download page of the source code made available and open source license information as related to this product. This offer is valid to anyone in receipt of this information.



Memo

Memo

Contact Dacor

If you have any questions or comments relating to Dacor appliances, please contact the Dacor Customer Service Center.

Country	Contact Center	Web Site
U.S.A	1-833-353-5483	www.dacor.com
CANADA	1-844-509-4659	www.dacor.com



DA68-03607B-11

dacor[®]

dacor[®]

Manual del usuario

Refrigerador incorporado

DRR24980*** / DRR30980*** / DRR30990*** /
DRR36980***



Contenido

Información importante	4
Antes de comenzar	4
Información sobre seguridad	5
Qué debe saber sobre las instrucciones de seguridad	5
Símbolos y advertencias de seguridad importantes:	6
Advertencias de la Proposición 65 del Estado de California	6
Precauciones importantes de seguridad	6
Señales de advertencia importantes para el transporte y el emplazamiento	8
Advertencias muy importantes para la instalación	9
Precauciones para la instalación	11
Advertencias muy importantes para el uso	11
Precauciones de uso	14
Precauciones para la limpieza	15
Advertencias muy importantes para la eliminación de residuos	16
Elementos incluidos	17
Partes internas, almacenamiento y estantes	17
Funcionamiento	19
Panel de control	19
SmartThings	26
Función SMART GRID (respuesta a la demanda)	29
Funciones especiales	33
Manipulación y cuidado	36
Reemplazo	39
Cuidado y mantenimiento	42
Limpieza	42

Solución de problemas	43
General	43
¿Se oyen ruidos anómalos procedentes del refrigerador?	46
Apertura automática de la puerta (ADO)	48
SmartThings	49
Smart Grid	50
Garantía	51
Estados Unidos - Garantía	51
Aviso regulatorio	55
Aviso de la FCC (Federal Communications Commission)	55
Aviso de la IC	56

Información importante

Antes de comenzar



Instalador

- Conserve las instrucciones de uso y cuidado junto con el electrodoméstico.

Cliente

- Lea este manual de uso y cuidado en su totalidad antes de utilizar el refrigerador. Guárdelo para futura referencia.

- El diseño general y/o los accesorios pueden diferir dependiendo del modelo.

Conserve el recibo de compra o el cheque cancelado. Se requiere la prueba de compra original con fecha para recibir el servicio de garantía.

Tenga a mano la identificación completa del modelo y el número de serie.

Estos números se encuentran en una etiqueta en la pared interna del refrigerador. Escriba estos números a continuación para que pueda disponer de ellos fácilmente.

Número de modelo	
Número de serie	
Fecha de compra	

Información sobre seguridad

Antes de utilizar su nuevo refrigerador Dacor, lea detenidamente este manual a fin de aprender a usar las funciones que ofrece de manera segura y eficiente.

Qué debe saber sobre las instrucciones de seguridad

- Este electrodoméstico no debe ser utilizado por personas (incluidos niños) con capacidades mentales, sensoriales o físicas reducidas, o por personas que carezcan de experiencia y de conocimientos, a menos que se encuentren bajo supervisión o hayan recibido las instrucciones de uso por parte de un responsable de su seguridad. Se deberá vigilar a los niños para asegurarse de que no jueguen con el electrodoméstico.
- Debido a que las siguientes instrucciones corresponden a diversos modelos, es posible que las características de su refrigerador difieran ligeramente de las que se describen en este manual.
- Si tiene alguna duda, busque ayuda e información en línea en www.Dacor.com.
- Si el refrigerante sale por los tubos, este podría incendiarse o dañar los ojos. Si hay pérdida de refrigerante del tubo, manténgalo alejado de las llamas, aparte cualquier material inflamable del producto y ventile la habitación inmediatamente.
 - No seguir esta recomendación puede causar riesgos de incendio o explosión.
- El uso inapropiado de la conexión a tierra puede traer como consecuencia un riesgo de descarga eléctrica. Si necesita usar un cable de extensión, use solo uno de 3 hilos con un enchufe que tenga una tercera punta para el polo a tierra; la toma de corriente deberá tener 3 ranuras para adaptarse al enchufe del electrodoméstico. La potencia indicada en el cable de extensión debe ser CA 115-120 V, 10 A o superior. Si se utiliza un adaptador de tierra, asegúrese de que el receptáculo esté conectado correctamente a tierra.



Información sobre seguridad

Símbolos y advertencias de seguridad importantes:

Sírvase seguir todas las instrucciones de seguridad del presente manual. En el presente manual se utilizan los siguientes símbolos de seguridad.

ADVERTENCIA

Riesgos o prácticas inseguras que pueden causar lesiones personales graves, daños materiales y/o incluso la muerte.

PRECAUCIÓN

Riesgos o prácticas inseguras que pueden causar lesiones personales graves y/o daños materiales.

NOTA

Información útil que ayuda a los usuarios a comprender u obtener beneficios del refrigerador. Estas señales de advertencia se incluyen aquí para evitar que usted o terceros sufran lesiones. Sígalas atentamente.

Después de leer esta sección, consérvela en un lugar seguro para referencia futura.

Advertencias de la Proposición 65 del Estado de California

ADVERTENCIA

Cáncer y afecciones reproductivas - www.P65Warnings.ca.gov.

Precauciones importantes de seguridad



ADVERTENCIA: riesgo de incendio/materiales inflamables

ADVERTENCIA

- Se utiliza R-600a como refrigerante. Este producto contiene gas inflamable (Refrigerante R-600a), comuníquese con las autoridades locales para desechar este producto en forma segura.
- Para evitar la creación de una mezcla de gas-aire inflamable en caso de una pérdida en el circuito del refrigerante, el tamaño del lugar en el que se coloca el refrigerador depende de la cantidad de refrigerante utilizado. El lugar debe tener 35.3 pies³ por cada 8 g de refrigerante R-600a en el electrodoméstico.



- La ubicación de instalación no debe estar expuesta a la luz solar directa ni cerca de ningún electrodoméstico o fuente de calor, tales como estufas, hornos u hornillas, radiadores, etc.
- Si coloca dos productos uno junto al otro, por razones de seguridad, asegúrese de utilizar productos certificados en atmósferas de gas explosivas.
- Nunca debe poner en marcha un electrodoméstico que presente signos de haber sido dañado. Si tiene alguna inquietud, consulte a su distribuidor.
- Si el cable de alimentación está dañado, debe ser reemplazado por el fabricante, su agente de servicios o personas igualmente calificadas para evitar riesgos.
- Debe poder accederse al tomacorriente con facilidad para que el electrodoméstico pueda desenchufarse de la alimentación en caso de emergencia. Debe encontrarse fuera de la zona trasera del electrodoméstico.
- No almacene sustancias explosivas como latas de aerosoles con gases propelentes inflamables en este electrodoméstico.
- Se deben utilizar las mangueras nuevas provistas con el electrodoméstico y no reutilizar las mangueras antiguas.
- Cuando instale el electrodoméstico, asegúrese de que el cable de alimentación no esté atrapado ni dañado.
- No ubique varias regletas de tomacorrientes portátiles o unidades de alimentación móviles en la parte trasera del electrodoméstico.

ADVERTENCIA

- Llenar únicamente con agua potable.
- Mantenga las aberturas de ventilación del gabinete o estructura incorporada del electrodoméstico libres de obstrucciones.
- No utilice dispositivos mecánicos ni cualquier otro medio para acelerar el proceso de descongelamiento que no sean aquellos recomendados por el fabricante.
- No dañe el circuito del refrigerante.
- No utilice electrodomésticos eléctricos dentro de los compartimientos de almacenamiento de alimentos del electrodoméstico, a menos que sean del tipo recomendado por el fabricante.
- Conéctelo solamente a un suministro de agua potable.

ADVERTENCIA

- Existe el riesgo de que los niños queden encerrados. Antes de desechar su antiguo refrigerador o congelador:
 - Retire las puertas.
 - Deje los estantes en su lugar de manera tal que los niños no puedan trepar fácilmente.



Información sobre seguridad

PRECAUCIÓN

- Riesgo de incendio o explosión. Se utiliza refrigerante inflamable. No utilice dispositivos mecánicos para descongelar el refrigerador. No perforo la tubería del refrigerante.
- Riesgo de incendio o explosión. Se utiliza refrigerante inflamable. Reparación únicamente por parte de personal de servicio técnico capacitado. No perforo la tubería del refrigerante.
- Riesgo de incendio o explosión. Se utiliza refrigerante inflamable. Consulte el Manual de reparación/Guía del propietario antes de intentar reparar este producto. Deben cumplirse todas las precauciones de seguridad.
- Riesgo de incendio o explosión. Deseche de acuerdo con las regulaciones federales y locales. Se utiliza refrigerante inflamable.
- Riesgo de incendio o explosión por perforación de los tubos de refrigerante; siga las instrucciones de manejo cuidadosamente. Se utiliza refrigerante inflamable.
- Para prevenir que los niños queden encerrados, manténgalo fuera del alcance de los niños y lejos del congelador o refrigerador.

Este electrodoméstico está diseñado para uso doméstico y en lugares como

- zonas de cocina de tiendas, oficinas y otros entornos de trabajo
- granjas y zonas de uso de los clientes en hoteles, moteles u otros entornos de tipo residencial
- hospederías;
- banqueterías y eventos en instalaciones no minorista similares

Señales de advertencia importantes para el transporte y el emplazamiento

ADVERTENCIA

- Al transportar e instalar el electrodoméstico deberá tener cuidado de no dañar ninguna de las piezas del circuito del refrigerante.
 - La pérdida de refrigerante del tubo podría incendiarse o dañar los ojos. Si se detecta una fuga, manténgalo alejado de las llamas o de posibles fuentes de inflamación y ventile durante varios minutos el ambiente en el que se encuentra la unidad.
 - El electrodoméstico contiene una pequeña cantidad de refrigerante de isobutano (R-600a), un gas natural con alta compatibilidad ambiental, no obstante también inflamable.
 - Al transportar e instalar el electrodoméstico, deberá tener cuidado de no dañar ninguna de las piezas del circuito del refrigerante.



Advertencias muy importantes para la instalación

ADVERTENCIA

- No instale el refrigerador en un lugar húmedo o donde pueda entrar en contacto con agua.
 - El aislamiento deficiente de las piezas eléctricas puede provocar una descarga eléctrica o un incendio.
- No exponga este refrigerador a la luz solar directa ni al calor de estufas, calefactores u otros electrodomésticos.
- No enchufe varios electrodomésticos y el refrigerador en la misma toma múltiple. El refrigerador debe conectarse siempre a un tomacorriente individual cuyo voltaje nominal coincida con el que se especifica en la placa de voltaje del refrigerador.
 - De esta manera se obtiene el mejor desempeño y también se evita que se sobrecarguen los circuitos del cableado de la casa, lo que podría sobrecalentar los cables y provocar un riesgo de incendio.
- Si el tomacorriente está flojo, no conecte el enchufe.
 - Existe el riesgo de que se produzca una descarga eléctrica o un incendio.
- No utilice un cable de alimentación que esté dañado o gastado en su extensión o en cualquiera de los extremos.
- No doble excesivamente el cable de alimentación ni coloque objetos pesados sobre él.
- No tire del cable de alimentación ni lo doble excesivamente.
- No retuerza ni amarre el cable de alimentación.
- No coloque el cable de alimentación sobre un objeto metálico; no coloque sobre él ningún objeto pesado; no lo coloque entre objetos ni lo empuje hacia el espacio que hay detrás del electrodoméstico.
- Nunca desenchufe el refrigerador jalando el cable de alimentación. Siempre sostenga el enchufe con firmeza y jale para extraerlo del tomacorriente.
 - Los daños al cable pueden provocar un cortocircuito, un incendio o una descarga eléctrica.
- No instale este electrodoméstico cerca de calefactores o materiales inflamables.
- No instale este electrodoméstico en un lugar donde pueda haber fugas de gas.
 - Esto podría causar una descarga eléctrica o un incendio.
- Antes de usarse, el refrigerador debe ubicarse e instalarse de manera apropiada de acuerdo con las instrucciones de este manual.
- Conecte el enchufe en la posición correcta con el cable colgando hacia abajo.
 - Si conecta el enchufe al revés, el cable puede cortarse y provocar un incendio o una descarga eléctrica.
- Asegúrese de que el enchufe no esté aplastado ni haya sido dañado por la parte posterior del refrigerador.



Información sobre seguridad

- Mantenga los materiales de empaque fuera del alcance de los niños.
 - Existe el riesgo de muerte por asfixia si un niño se coloca los materiales de empaque en la cabeza.
- El electrodoméstico debe colocarse de manera tal que se pueda acceder al enchufe después de la instalación.
 - No seguir esta recomendación puede causar una descarga eléctrica o un incendio debido a una fuga de electricidad.
- No instale este electrodoméstico en un lugar húmedo, engrasado o sucio, o en un sitio con exposición directa al sol o al agua (lluvia).
 - El aislamiento deficiente de las piezas eléctricas puede provocar una descarga eléctrica o un incendio.
- Si ingresaran grandes cantidades de polvo o agua al refrigerador, desenchufe el cable de alimentación y comuníquese con el centro de servicio de Dacor.
 - Si no lo hace, existe el riesgo de que se produzca un incendio.
- Es necesario quitar toda la película plástica protectora antes de enchufar el producto por primera vez.
- Se deberá vigilar a los niños para asegurarse de que no jueguen con los anillos elásticos utilizados para el ajuste de la puerta o con las grapas del tubo de agua.
 - Existe riesgo de muerte por asfixia si un niño se traga un anillo elástico o una grapa del tubo de agua. Mantenga los anillos elásticos y las grapas del tubo de agua fuera del alcance de los niños.
- El refrigerador debe estar conectado a tierra de manera segura.
 - Siempre asegúrese de haber conectado el refrigerador a tierra antes de intentar examinar o reparar alguna pieza. Las fugas de energía pueden provocar una descarga eléctrica grave.
- Nunca utilice como conexión a tierra tubos de gas, líneas telefónicas ni otras posibles fuentes de atracción de rayos.
 - El refrigerador debe estar conectado a tierra para evitar cualquier fuga de energía o descarga eléctrica provocada por fugas de corriente del refrigerador.
 - La fuga de corriente podría causar descargas eléctricas, incendios, explosiones o problemas con el producto.
- Conecte bien el enchufe al tomacorriente. No utilice enchufes o cables de alimentación dañados ni enchufes de pared flojos.
 - Esto podría causar una descarga eléctrica o un incendio.
- Únicamente un técnico calificado o compañía de reparaciones debe estar autorizado para cambiar el fusible del refrigerador.
 - No seguir esta recomendación, podría causar una descarga eléctrica o lesiones.
- Para evitar riesgos por inestabilidad del electrodoméstico, debe instalarse de acuerdo con las instrucciones.



Precauciones para la instalación

PRECAUCIÓN

- Deje espacio suficiente alrededor del refrigerador e instálelo sobre una superficie plana.
 - Mantenga libre de obstáculos el espacio de ventilación en el gabinete o la estructura de montaje del electrodoméstico.
- Una vez que haya instalado el refrigerador y lo haya encendido, permita que funcione durante 2 horas antes de cargarlo con alimentos.
- Se recomienda que el refrigerador sea instalado por un técnico calificado o una compañía de servicios.
 - No seguir esta recomendación puede causar descargas eléctricas, incendios, explosiones, problemas con el producto o lesiones.
- Sobrecargar una de las puertas puede ocasionar la caída del refrigerador y provocar lesiones personales.

Advertencias muy importantes para el uso

ADVERTENCIA

- No conecte el enchufe en un tomacorriente con las manos mojadas.
 - Esto podría causar una descarga eléctrica.
- No coloque objetos en la parte superior de la unidad.
 - Cada vez que abra o cierre la puerta, estos podrían caerse y provocar lesiones personales o daños materiales.
- No coloque las manos, los pies ni objetos metálicos (tales como palillos chinos, etc.) en la parte inferior o posterior del refrigerador.
 - Esto podría causar una descarga eléctrica o lesiones personales.
 - Algunos bordes filosos podrían provocar lesiones personales.
- No toque las paredes internas del congelador ni los productos almacenados en este con las manos mojadas.
 - Esto puede provocar quemaduras por frío.
- No coloque un recipiente con agua sobre el refrigerador.
 - Si se derrama, existe el riesgo de que se produzca un incendio o una descarga eléctrica.
- No almacene sustancias u objetos volátiles o inflamables (benceno, solvente, gas propano, alcohol, éter, gas LP ni cualquier otro producto de este tipo) en el refrigerador.
 - Este refrigerador se debe utilizar solo para almacenar alimentos.
 - Esto podría causar un incendio o una explosión.



Información sobre seguridad

- Se deberá vigilar a los niños para asegurarse de que no jueguen con el electrodoméstico.
 - Aleje los dedos de los puntos de agarre. Los espacios entre las puertas y el gabinete son inevitablemente pequeños. Abra las puertas con cuidado si hay niños cerca.
- No permita que los niños se cuelguen de la puerta ni de los compartimientos de la puerta. Pueden producirse lesiones graves.
- No permita que los niños ingresen al refrigerador. Podrían quedar atrapados.
- No coloque las manos debajo del electrodoméstico.
 - Es posible que algunas puntas filosas le provoquen lesiones.
- No almacene en el refrigerador productos farmacéuticos, materiales científicos ni productos sensibles a la temperatura.
 - No se deben almacenar productos que requieran controles estrictos de temperatura.
- No coloque ni utilice aparatos eléctricos dentro del refrigerador/congelador, a menos que sean del tipo recomendado por el fabricante.
- En caso de sentir olor a humo, desconecte el enchufe de inmediato y comuníquese con el centro de servicio de Dacor.
- Si ingresaran grandes cantidades de polvo o agua al refrigerador, desenchufe el cable de alimentación y comuníquese con el centro de servicio de Dacor.
 - Si no lo hace, existe el riesgo de que se produzca un incendio.
- No permita que los niños se paren sobre un cajón.
 - El cajón se puede romper y los niños pueden caerse.
- No deje las puertas del refrigerador abiertas si el refrigerador no está siendo vigilado y no permita que los niños ingresen en el refrigerador.
- No permita que los bebés ni los niños ingresen al cajón.
 - Esto puede provocar muerte por asfixia debido al encierro o lesiones personales.
- No sobrecargue el refrigerador con comida.
 - Cuando abra la puerta, algún elemento podría caerse y provocar lesiones personales o daños materiales.
- No pulverice material volátil, tal como un insecticida, sobre la superficie del electrodoméstico.
 - Además de ser perjudicial para los seres humanos, puede causar una descarga eléctrica, un incendio o problemas con el producto.
- Nunca coloque los dedos ni otros objetos en el orificio del dispensador de agua, en el recipiente de hielo o en la cubeta de la fábrica de hielo.
 - Esto puede provocar lesiones personales o daños materiales.
- No utilice ni coloque ninguna sustancia sensible a la temperatura, tales como pulverizadores inflamables, objetos inflamables, hielo seco, medicamentos o productos químicos, cerca o dentro del refrigerador.
- No utilice un secador de cabello para secar el interior del refrigerador. No coloque velas encendidas en el refrigerador para eliminar los malos olores.
 - Esto podría causar una descarga eléctrica o un incendio.



- Llene el tanque de agua y la charola para el hielo solamente con agua potable (agua de la llave, agua mineral o agua purificada).
 - No llene el tanque con té, jugo ni bebidas isotónicas. Pueden dañar el refrigerador.
- No se pare sobre el electrodoméstico ni le coloque objetos encima (tales como ropa, velas o cigarrillos encendidos, platos, productos químicos, objetos metálicos, etc.). Esto podría causar una descarga eléctrica, un incendio, problemas con el producto o lesiones. No coloque un recipiente con agua sobre el electrodoméstico.
 - Si se derrama, existe el riesgo de que se produzca un incendio o una descarga eléctrica.
- No mire fijamente la lámpara LED UV durante mucho tiempo.
 - Los rayos ultravioletas podrían dañarle la visión.
- No coloque el estante del refrigerador al revés. El tope del estante no funcionará.
 - El estante de vidrio puede caerse y provocar lesiones.
- Si se detecta una fuga de gas, evite las llamas o posibles fuentes de ignición y ventile durante varios minutos la habitación en la que se encuentra el electrodoméstico.
 - No toque el electrodoméstico ni el cable de alimentación.
 - No utilice un ventilador.
 - Una chispa puede provocar una explosión o un incendio.
- Utilice solamente lámparas LED proporcionadas por el fabricante o sus agentes de servicio técnico.
- Las botellas se deben almacenar una junto a otra de manera tal que no se tumben ni se caigan.
- Este producto se debe utilizar solo para almacenar alimentos en un entorno doméstico.
- No intente reparar, desensamblar ni modificar el refrigerador por su cuenta.
 - Las modificaciones que no han sido autorizadas pueden provocar problemas de seguridad. Para revertir una modificación no autorizada, cobraremos el costo completo de las piezas y mano de obra.
- No utilice ningún fusible (tales como los de alambres de acero, de cobre, etc.) que no sea un fusible estándar.
- Si es necesario reparar o volver a instalar el refrigerador, comuníquese con su centro de servicio de Dacor más cercano.
 - No seguir esta recomendación puede causar una descarga eléctrica, un incendio, problemas con el producto o lesiones.
- Si la lámpara LED interior o exterior se apagó, comuníquese con su centro de servicio de Dacor más cercano.
- En caso de sentir olor a quemado o ver humo en el refrigerador, desenchúfelo de inmediato y comuníquese con un centro de servicio de Dacor.
 - No seguir esta recomendación podría causar una descarga eléctrica o un incendio.
- Desenchufe el refrigerador antes de cambiar las lámparas internas.
 - Si no lo hace, existe el riesgo de que se produzca una descarga eléctrica.



Información sobre seguridad

- Si le resulta difícil cambiar una luz que no sea de LED, comuníquese con un centro de servicio de Dacor.
- Si el producto cuenta con lámparas LED, no desensamble las cubiertas de la lámpara y las lámparas LED usted mismo.
 - Comuníquese con un centro de servicio de Dacor.
- Conecte bien el enchufe al tomacorriente.
- No utilice enchufes o cables de alimentación dañados ni enchufes de pared flojos.
 - Esto podría causar una descarga eléctrica o un incendio.

Precauciones de uso

PRECAUCIÓN

- No vuelva a congelar alimentos que se hayan descongelado completamente. No coloque bebidas carbonatadas o con gas en el compartimiento del congelador. No coloque botellas ni recipientes de vidrio en el congelador.
 - Cuando el contenido se congela, el vidrio puede romperse y provocar lesiones personales.
- Utilice solamente la fábrica de hielo del refrigerador.
- Para obtener el mejor desempeño del producto:
 - No coloque alimentos muy cerca de las rejillas de ventilación en la parte posterior del refrigerador, ya que pueden obstruir la libre circulación del aire en el compartimiento del refrigerador.
 - Envuelva los alimentos adecuadamente o colóquelos en recipientes herméticos antes de almacenarlos en el refrigerador.
 - Cumpla con los tiempos máximos de almacenamiento y las fechas de vencimiento de los alimentos congelados.
- No coloque recipientes ni botellas de vidrio ni bebidas carbonatadas en el congelador.
 - El recipiente puede congelarse y romperse, y esto puede ocasionar lesiones.
- Garantía de servicio y modificación.
 - El servicio de garantía de Dacor no cubre los cambios o las modificaciones realizadas por un tercero a este electrodoméstico; Dacor tampoco es responsable de los problemas relacionados con la seguridad que puedan surgir a causa de modificaciones hechas por terceros.
- No obstruya las rejillas de ventilación dentro del refrigerador.
 - Si las rejillas de ventilación están tapadas, en particular con una bolsa de plástico, el refrigerador se puede sobrecongelar.
- Si se desconecta el refrigerador del suministro de energía, espere al menos cinco minutos antes de volver a enchufarlo.



- Si ingresaran grandes cantidades de agua al refrigerador, desenchúfelo y comuníquese con un centro de servicio de Dacor.
- No golpee ni aplique una fuerza excesiva sobre ninguna superficie de vidrio.
 - Un vidrio roto puede causar lesiones personales o daños materiales.
- Llene el tanque de agua y la charola para el hielo solamente con agua potable (agua de la llave, agua mineral o agua purificada).
 - No llene el tanque con té, jugo ni bebidas isotónicas. Pueden dañar el refrigerador.
- Si el refrigerador se inunda, desconecte la alimentación del refrigerador y comuníquese con el centro de servicio de Dacor más cercano.
 - Existe el riesgo de que se produzca una descarga eléctrica o un incendio.
- No guarde aceite vegetal en los compartimientos de la puerta del refrigerador. El aceite puede solidificarse, y modificar su sabor y la facilidad de uso. Asimismo, el envase abierto puede gotear y el aceite vertido puede causar grietas en el compartimiento de la puerta. Una vez abierto un envase de aceite, es mejor almacenarlo en un lugar fresco y a la sombra, como un armario o alacena.
 - Ejemplos de aceite vegetal: aceite de oliva, de maíz, de semilla de uva, etc.

Precauciones para la limpieza

PRECAUCIÓN

- No pulverice con agua directamente dentro o fuera del refrigerador.
 - Existe el riesgo de que se produzca un incendio o una descarga eléctrica.
- No utilice un secador de cabello para secar el interior del refrigerador.
- No coloque velas encendidas en el refrigerador para eliminar los malos olores.
 - Esto podría causar una descarga eléctrica o un incendio.
- No rocíe productos de limpieza directamente sobre el visor.
 - Las letras impresas en el visor pueden borrarse.
- Si cualquier sustancia extraña, como agua, ingresa en el refrigerador, desenchúfelo y comuníquese con su centro de servicio de Dacor más cercano.
 - No seguir esta recomendación podría causar una descarga eléctrica o un incendio.
- Use un paño seco y limpio para retirar cualquier sustancia extraña o polvo de las clavijas del enchufe. No utilice un paño mojado ni húmedo para limpiar el enchufe.
 - De lo contrario, existe el riesgo de que se produzca un incendio o una descarga eléctrica.
- No limpie el refrigerador rociando agua directamente sobre él.
- No limpie el refrigerador con benceno, disolvente o Clorox (blanqueador).
 - Pueden dañar la superficie del refrigerador y provocar un incendio.
- Nunca coloque los dedos ni otros objetos en la salida del dispensador.
 - Puede provocar lesiones personales o daños materiales.



Información sobre seguridad

- Antes de limpiar o realizar el mantenimiento, desenchufe el refrigerador del enchufe de pared.
 - No seguir esta recomendación podría causar una descarga eléctrica o un incendio.
- Utilice una esponja limpia o un paño suave y un detergente neutro disuelto en agua templada para limpiar el refrigerador.
- No utilice limpiadores abrasivos ni muy fuertes, como limpiacristales, limpiadores corrosivos, líquidos inflamables, ácido clorhídrico, ceras limpiadoras, detergentes concentrados, blanqueadores o limpiadores que contengan petróleo en las superficies externas (puertas y paneles), piezas de plástico, revestimientos de puertas e interiores y juntas.
 - Pueden rayar o dañar el material.
- No limpie con agua caliente los estantes o las cubiertas de vidrio cuando estén fríos. Los estantes y las cubiertas de vidrio pueden romperse si se exponen a cambios bruscos de temperatura o a impactos como golpes o caídas.

Advertencias muy importantes para la eliminación de residuos

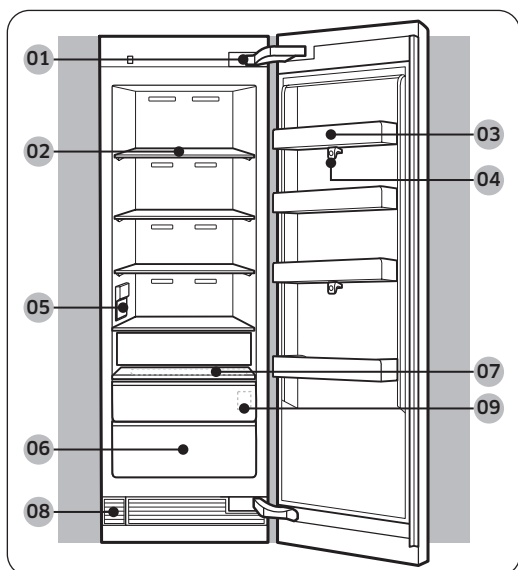
ADVERTENCIA

- Si algún niño queda atrapado dentro del refrigerador, puede lastimarse o asfixiarse hasta morir.
- Deseche el material de empaque de este producto de forma tal que no resulte nocivo para el medio ambiente.
- Asegúrese de que ninguno de los tubos que se encuentran en la parte trasera del refrigerador estén dañados antes de desecharlos.
- Este producto contiene R-600a, un gas inflamable, que se utiliza como refrigerante. Comuníquese con las autoridades locales para desechar este producto de manera segura.
- Cuando deseche este refrigerador, retire los burletes y los pestillos de las puertas de manera tal que los niños pequeños o los animales no puedan quedar atrapados en el interior. Se deberá vigilar a los niños para asegurarse de que no jueguen con el electrodoméstico.
 - Si quedan atrapados dentro, los niños pueden lesionarse o sofocarse hasta morir.
- Se utiliza ciclopentano como aislante. Los gases del material de aislamiento requieren un procedimiento especial para desecharlos. Comuníquese con las autoridades locales para desechar este producto de manera que no resulte nocivo para el medio ambiente.
- Mantenga los materiales de empaque fuera del alcance de los niños, ya que pueden ser peligrosos para ellos.
 - Si un niño se coloca una bolsa en la cabeza, puede asfixiarse.



Elementos incluidos

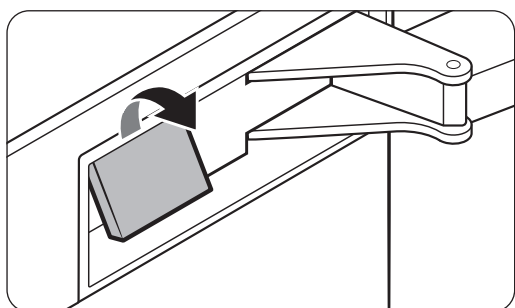
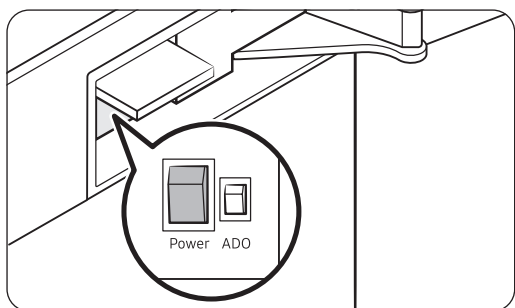
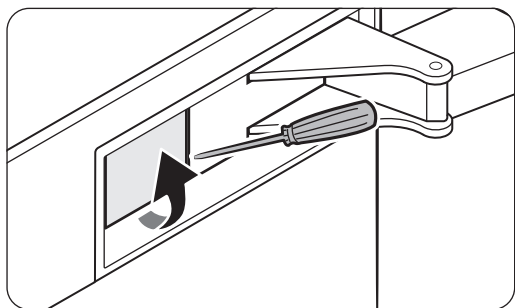
Partes internas, almacenamiento y estantes



- 01** Interruptor de encendido, interruptor de apertura automática de la puerta
- 02** Estantes
- 03** Compartimientos de las puertas
- 04** Cámara
- 05** Dispensador de agua
- 06** Zona fresca
- 07** Panel de control
- 08** Filtro de agua (cubierta)
- 09** Número de serie (en la pared del cajón)

Elementos incluidos

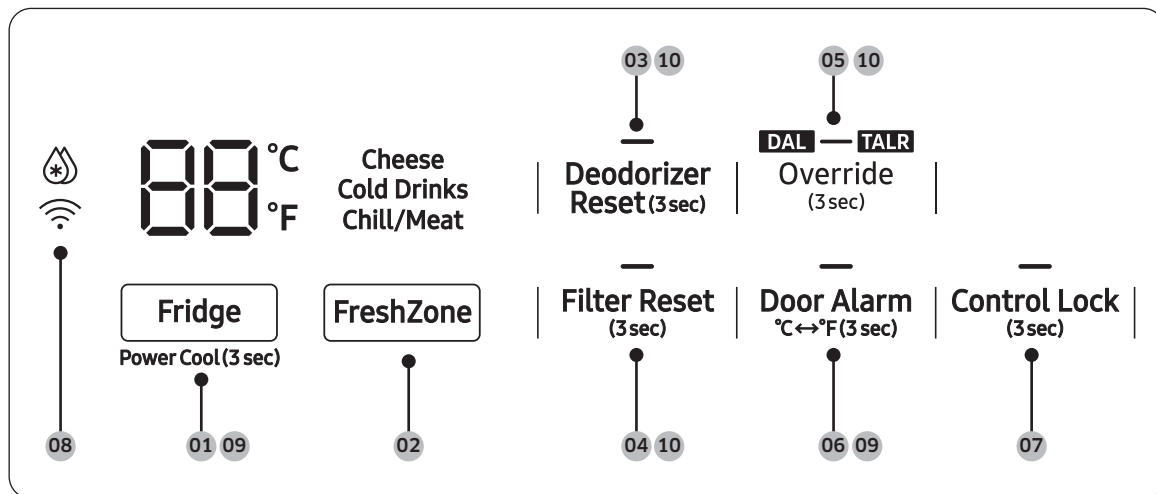
Caja de conexiones



- Utilice un destornillador de punta plana para abrir la cubierta de la caja de conexiones.
- La conexión negra es el interruptor de encendido, mientras que la conexión roja que está a su lado es el interruptor de apertura automática de la puerta.
- Cierre la cubierta de la caja de conexiones.

Funcionamiento

Panel de control





- | | |
|--|--|
| 01 Fridge (Refrigerador) /
Power Cool (Refrigeración rápida) | 02 FreshZone (Zona fresca) |
| 03 Deodorizer Reset (Restablecer
desodorizador) | 04 Filter Reset (Restablecer filtro) |
| 05 Override (Anular) | 06 Door Alarm (Alarma de la puerta) / °C ↔ °F |
| 07 Control Lock (Bloqueo del control) | 08 Conexión de red |
| 09 Modo Shabat | 10 Enfriamiento desactivado |

NOTA

- Cuando cambia la temperatura del panel, este muestra la temperatura actual dentro del refrigerador hasta que se alcanza la temperatura que ha configurado. Luego el panel muestra la nueva temperatura configurada. Tenga en cuenta que el refrigerador necesita un tiempo para alcanzar la nueva temperatura. Esto es normal. Durante este tiempo no es necesario restablecer la temperatura.
- Si no se presiona ningún botón durante los 10 segundos siguientes a la desactivación del bloqueo del control, la pantalla se apaga excepto el botón de bloqueo del control. Para encender la pantalla, vuelva a presionar **Control Lock (Bloqueo del control)**.
- Si el panel de control acumula humedad o líquido en la superficie, es posible que no funcione. Seque la humedad o el líquido con un paño seco y vuelva a intentarlo.

Funcionamiento

01 Refrigerador / Refrigeración rápida (3 s)

Fridge (Refrigerador)	<p>El botón Fridge (Refrigerador) puede utilizarse para configurar la temperatura del refrigerador o para activar/desactivar Refrigeración rápida. Puede ajustar en forma manual la temperatura de enfriamiento del refrigerador.</p> <p>El indicador de temperatura le informa la temperatura configurada o seleccionada actualmente. Mantenga presionado Fridge (Refrigerador) para seleccionar una temperatura deseada entre 34 °F (1 °C) y 44 °F (7 °C).</p>
Power Cool (Refrigeración rápida)	<p>La refrigeración rápida acelera el proceso de enfriamiento con la velocidad máxima del ventilador. El refrigerador funciona a máxima velocidad durante varias horas antes de volver a la temperatura previa.</p> <ul style="list-style-type: none">• Para activar la refrigeración rápida, mantenga presionado Fridge (Refrigerador) durante 3 segundos. Se enciende el indicador correspondiente () y el refrigerador acelerará el proceso de enfriamiento.• Para desactivar la refrigeración rápida, mantenga presionado Fridge (Refrigerador) nuevamente durante 3 segundos. El refrigerador vuelve a la temperatura configurada anteriormente. <p> NOTA</p> <p>Utilizar la refrigeración rápida aumenta el consumo energético. Asegúrese de apagarla y volver a la temperatura anterior si no tiene intenciones de utilizarlo.</p>

02 Zona fresca

La Zona fresca es un cajón de ancho completo con control de temperatura. Cuenta con un sensor de temperatura que regula la cantidad de aire frío permitido en esta zona.

- Presione **FreshZone (Zona fresca)** repetidamente hasta seleccionar el modo deseado. De manera predeterminada, se selecciona Quesos.
- El refrigerador regula la temperatura de la Zona fresca de acuerdo con el modo seleccionado.

Modo	Descripción	Ejemplos
Cheese (Quesos)	Seleccione para mantener los alimentos frescos durante más tiempo. La temperatura de la Zona fresca se mantiene a unos 37 °F (3 °C).	Piña, limón, galletas, papas, queso
Cold Drinks (Bebidas frías)	Seleccione para mantener las bebidas frías y refrescantes. La temperatura de la Zona fresca se mantiene a unos 33 °F (1 °C).	Agua embotellada, jugo, refrescos y cervezas
Chill/Meat (Frío/Carne)	Seleccione para mantener la carne o el pescado fresco durante más tiempo. La temperatura de la Zona fresca se mantiene a unos 29 °F (-1 °C).	Bistec, fiambres, tocino, perros calientes con chile

PRECAUCIÓN

- No utilice la Zona fresca para almacenar frutas ni vegetales de hoja. Los alimentos pueden sufrir daños debidos a las bajas temperaturas.
- No almacene botellas de vidrio en la Zona fresca en el modo Frío/Carne. Pueden romperse y causar lesiones físicas.

Funcionamiento

03 Restablecer desodorizador (3 s)

Deodorizer Reset (Restablecer desodorizador)	Después de aproximadamente 18 meses de utilizar el filtro desodorizador original, el indicador de filtro titila en rojo para recordarle que debe cambiarlo. Si esto ocurre, reemplace el filtro y luego mantenga presionado Deodorizer Reset (Restablecer desodorizador) durante 3 segundos. La vida útil del filtro se restablecerá y el indicador de filtro se apaga.
---	--

04 Restablecer filtro (3 s)

Filter Reset (Restablecer filtro)	<p>Después de 6 meses de utilizar el filtro de agua original (que en general rinde unos 300 galones (1136 litros) de agua), el indicador del filtro titila en rojo para recordarle que debe reemplazarlo.</p> <p>Cuando esto ocurre, reemplace el filtro y luego mantenga presionado Filter Reset (Restablecer filtro) por 3 segundos. Así se restablece el detector de ciclo de vida útil del filtro y se apaga el indicador del filtro.</p> <p>NOTA</p> <ul style="list-style-type: none">• Algunas áreas cuentan con cantidades relativamente elevadas de cal en el agua. Esto puede reducir la vida útil del filtro. Es dichas áreas, deberá reemplazar el filtro de agua con mayor frecuencia que la especificada anteriormente.• Si el agua no se dispensa adecuadamente, es probable que el filtro de agua esté obturado. Incluso si el indicador del filtro no titila, reemplácelo.
--------------------------------------	--

05 Anular (3 s)

Override (Anular)	La función de anular activa/desactiva Smart Grid. Presione Override (Anular) por 3 segundos para activar o desactivar la función de anulación.
----------------------	--

06 Alarma de la puerta / °C ↔ °F (3 s)

Door Alarm (Alarma de la puerta)	Puede activar o desactivar la alarma presionando Door Alarm (Alarma de la puerta) . Cuando la alarma de la puerta está activada y la puerta queda abierta durante más de 2 minutos, suena la alarma y el indicador titila. La función de alarma de la puerta está activada como valor de fábrica.
°C ↔ °F	Puede utilizar el botón Door Alarm (Alarma de la puerta) para modificar la escala de temperatura de Celsius a Fahrenheit. Para cambiar la escala de temperatura, mantenga presionado Door Alarm (Alarma de la puerta) durante 3 segundos.

07 Bloqueo del control (3 s)

Control Lock (Bloqueo del control)	A fin de evitar el cambio accidental de los valores, mantenga presionado Control Lock (Bloqueo del control) por 3 segundos. El panel principal se desactiva y el indicador de bloqueo (—) se enciende. Si vuelve a mantener presionado el botón por más de 3 segundos, el bloqueo del control se desactiva. No obstante, el bloqueo del control se reactiva si no se toca ningún botón durante 1 minuto.
Autenticación del dispositivo	Para autenticar el dispositivo, mantenga presionado Control Lock (Bloqueo del control) durante 5 segundos. Suena una alarma con el mensaje 'on (encendido)' en el panel de temperatura durante 5 segundos. Se pueden utilizar dispositivos autorizados con las aplicaciones de Samsung Smart TV donde la información de privacidad del refrigerador se puede compartir con el televisor. La disponibilidad de esta función depende del modelo del dispositivo.



Funcionamiento

08 Conexión de red

Puede controlar y supervisar su refrigerador mediante la aplicación SmartThings. Para obtener más información, consulte la sección SmartThings.

NOTA

- Los sistemas de encriptación recomendados incluyen WPA/TKIP y WPA2/AES. No se admiten protocolos de autenticación Wi-Fi más nuevos o no estandarizados.
- Las redes inalámbricas pueden verse afectadas por los entornos de comunicación inalámbrica circundantes.
- Si su proveedor de servicios de Internet ha registrado la dirección MAC de su computadora o módem para identificación, su Dacor Smart Refrigerator puede dar error al conectarse a Internet. Si esto ocurre, comuníquese con su proveedor de servicios de Internet para recibir asistencia técnica.
- La configuración de firewall de su sistema de red puede impedir que su Dacor Smart Refrigerator acceda a Internet. Comuníquese con su proveedor de servicios de Internet para recibir asistencia técnica. Si el síntoma persiste, comuníquese con un centro de servicios Dacor local o el minorista.
- Para configurar el punto de acceso (PA) inalámbrico, consulte el manual de usuario del PA:
- Los Dacor Smart Refrigerators son compatibles con Wi-Fi 2.4 GHz con los protocolos IEEE 802.11 b/g/n y Soft-AP (se recomienda IEEE 802.11 n).
- Los enrutadores Wi-Fi no autorizados pueden no conectarse con los Dacor Smart Refrigerators correspondientes.

09 Modo Shabat

El modo Shabat permanece activo por 85 horas una vez activado. Luego, se desactiva automáticamente.

- Para activarlo, mantenga presionado **Fridge (Refrigerador)** y **Door Alarm (Alarma de la puerta)** simultáneamente durante 5 segundos para ingresar al modo Shabat. Luego el refrigerador funciona en el modo Shabat, en el que los botones, la pantalla y las luces ambientales están bajo control.
- Para desactivarlo, mantenga presionados los botones nuevamente durante 5 segundos para salir del modo Shabat.

NOTA

- Si el indicador del bloqueo de control está encendido, antes debe desactivar el bloqueo del control.
- Aunque el refrigerador se apague y se reinicie, el modo Shabat permanece activo. Para salir, antes debe desactivarlo.
- Si se instalan dos refrigeradores juntos, deberá configurar o cambiar los ajustes del modo Shabat para cada refrigerador por separado.



10 Enfriamiento desactivado

El modo de enfriamiento desactivado (también llamado modo Tienda) está diseñado para que lo usen los distribuidores cuando exhiben los refrigeradores en un comercio.

En el modo de enfriamiento desactivado, el motor del ventilador y las luces funcionan normalmente, pero los compresores no lo hacen, por lo que el refrigerador no se enfría.

- Para ingresar al modo de enfriamiento desactivado, mantenga presionados **Deodorizer Reset (Restablecer desodorizador)**, **Filter Reset (Restablecer filtro)** y **Override (Anular)** simultáneamente durante 5 segundos. Suena la señal sonora del refrigerador y el indicador de temperatura muestra "oF".
- Para salir del modo de enfriamiento desactivado, mantenga presionados **Deodorizer Reset (Restablecer desodorizador)**, **Filter Reset (Restablecer filtro)** y **Override (Anular)** simultáneamente durante 5 segundos. Suena la señal sonora del refrigerador y el indicador de temperatura muestra la temperatura actual.

NOTA

Si el indicador del bloqueo de control está encendido, antes debe desactivar el bloqueo del control.

Funcionamiento

SmartThings

Instalación

Visite Google Play Store, Galaxy Store o Apple App Store y busque "SmartThings".

Descargue e instale la aplicación SmartThings provista por Samsung Electronics en su dispositivo inteligente.

NOTA

- La versión de software de soporte de la aplicación SmartThings está sujeta a cambios de acuerdo con la política de soporte del sistema operativo que proporciona el fabricante. Además, en cuanto a la aplicación SmartThings o las funciones que admite la aplicación, la nueva política de actualización de la aplicación en la versión del sistema operativo existente puede suspenderse por razones de seguridad o de usabilidad.
- La aplicación SmartThings está sujeta a cambios sin previo aviso para mejorar la usabilidad o el rendimiento. Como la versión del sistema operativo del teléfono móvil se actualiza cada año, SmartThings también se actualiza de manera continua de acuerdo con el último sistema operativo. Si tiene preguntas sobre los puntos mencionados anteriormente, contáctenos a través de st.service@samsung.com
- Los sistemas de encriptación recomendados incluyen WPA/TKIP y WPA2/AES. No se admiten protocolos de autenticación Wi-Fi más nuevos o no estándar.
- Asimismo, es posible que deje de haber actualizaciones de la aplicación o de la función de la aplicación por motivos de usabilidad o seguridad, incluso si en la actualidad su sistema operativo admite las actualizaciones.
- Las redes inalámbricas pueden verse afectadas por los entornos de comunicación inalámbrica circundantes.
- Si su proveedor de servicios de Internet ha registrado la dirección MAC de su computadora o módem para identificación, es posible que su refrigerador inteligente Dacor no pueda conectarse a Internet. Si esto ocurre, comuníquese con su proveedor de servicios de Internet para recibir asistencia técnica.
- La configuración de firewall de su sistema de red puede impedir que su refrigerador inteligente Dacor acceda a Internet. Comuníquese con su proveedor de servicios de Internet para recibir asistencia técnica. Si el síntoma persiste, comuníquese con un centro de servicios Dacor local o el minorista.
- Para configurar el punto de acceso (PA) inalámbrico, consulte el manual de usuario del PA (enrutador).
- Los refrigeradores inteligentes Dacor son compatibles con los protocolos IEEE 802.11 b/g/n (2.4 GHz) y 802.11 a/n/ac (5 GHz). (Se recomiendan los protocolos IEEE 802.11 n y 802.11 ac).
- Los enrutadores Wi-Fi no autorizados pueden no conectarse con los refrigeradores inteligentes Dacor correspondientes.



Cuenta Samsung

Debe registrar su cuenta Samsung para utilizar la aplicación. Si no tiene una cuenta Samsung, siga las instrucciones en pantalla de la aplicación para crear una cuenta Samsung gratuita.

Cómo comenzar

Encienda el dispositivo que desea conectar, abra la aplicación SmartThings en su teléfono y siga las instrucciones que figuran a continuación.

Si aparece un mensaje emergente que indica que se encontró un nuevo dispositivo, toque **ADD NOW (AGREGAR AHORA)**.

Si no aparece el mensaje, toque el botón **+** y, en la lista de dispositivos disponibles, seleccione el dispositivo que desea conectar.

Si su dispositivo no se encuentra en la lista de dispositivos disponibles, toque **Supported Devices (Dispositivos admitidos)**, seleccione el tipo de dispositivo (Refrigerador) y luego el modelo del dispositivo específico.

Siga las instrucciones de la aplicación para configurar el dispositivo. Una vez completada la configuración, el refrigerador aparecerá como una "ficha" en la pantalla **Devices (Dispositivos)**.

Aplicación del refrigerador

Control integrado

Puede supervisar y controlar su refrigerador en su casa y desde cualquier otro lugar.

- Toque el icono del refrigerador en el panel de SmartThings o toque el icono de Dispositivos en la parte inferior del panel, y luego toque la "ficha" del refrigerador para abrir la página correspondiente.
- Controle el estado de operación o las notificaciones de su refrigerador y luego modifique las opciones o parámetros si fuera necesario.

NOTA

Algunas opciones o ajustes del refrigerador pueden no estar disponibles para el control remoto.



Funcionamiento

Categoría	Sección	Descripción
Supervisión	Temperatura del refrigerador	Muestra la configuración actual de la temperatura del refrigerador.
	Configuración de la Zona fresca	Muestra la configuración de la Zona fresca.
	Autoverificación	Detecta funcionamientos anormales del refrigerador.
	Monitoreo de energía	Verifica el consumo de energía acumulado del refrigerador durante los últimos 180 días.
Funciones	Refrigeración rápida	Puede activar o desactivar la función de refrigeración rápida y ver la configuración actual.
Alarmas	Temperatura anormalmente elevada	Esta alarma se dispara cuando la temperatura del refrigerador es demasiado elevada.
	Puerta abierta	Esta alarma se dispara si la puerta del refrigerador está abierta durante un período específico.
	Reemplazo del filtro desodorizador (solo para los modelos correspondientes)	Esta alarma le recuerda que es necesario reemplazar el filtro desodorizador.
	Reemplazo del filtro de agua	Esta alarma le recuerda que es necesario reemplazar el filtro de agua.
Visualización en manera remota		Puede verificar la visualización interna del refrigerador y usar distintas etiquetas para registrar los periodos específicos de almacenamiento propios de cada producto que le ayuden en su administración.



Función SMART GRID (respuesta a la demanda)

Cuando el refrigerador opera en modo SMART GRID (respuesta a la demanda), la función del refrigerador Energy Management (Gestión de energía) permite controlar el uso de energía o demorar algunas funciones para ahorrar dinero cuando el precio de la energía o la demanda son más elevados.

NOTA

- Se puede desactivar la función SMART GRID (respuesta a la demanda) en cualquier momento utilizando la función de activación/desactivación de la anulación.
- Para usar la función SMART GRID (respuesta a la demanda), se necesita un contrato aparte con la compañía de servicio eléctrico.

Además, para usar la función Smart Grid (respuesta a la demanda), debe registrar el servicio en su compañía de electricidad. La compañía debe tener un EMS (sistema de gestión de energía) compatible con SEP (perfil de energía inteligente).

Uso de la función SMART GRID (respuesta a la demanda)

Esta función controla los precios de la energía y la información de la demanda desde la compañía de servicio eléctrico y envía notificaciones al refrigerador para que ejecute tareas de alto consumo energético fuera de las horas pico cuando el costo y la demanda de la electricidad son menores.

Si el refrigerador recibe una señal de control de la compañía de servicio eléctrico, mostrará los niveles **DAL** (L3) ~ **TALR** (L4) en el visor del refrigerador y controlará el consumo energético de acuerdo con el nivel.

[Condición de excepción] Las señales de control **DAL** y **TALR** de una compañía de servicio eléctrico funcionan mientras se mantiene el desempeño del producto.

Si el refrigerador recibe una señal SMART GRID (Respuesta de la demanda) (**DAL** o **TALR**), el refrigerador funcionará en el modo de demora en la carga del aparato (Visor: Encienda el icono "**DAL**") o Reducción temporal de la carga del aparato (Visor: Encienda el icono "**TALR**").

- Demora en la carga del aparato (L3): el refrigerador responde a una señal **DAL** proporcionando una reducción de carga moderada durante el periodo de demora. Esta función controla las funciones que consumen mucha energía, como el ajuste del sistema de enfriamiento, la ejecución del ciclo de descongelación y la fabricación de hielo.
 - Cuando el refrigerador funciona en el modo **DAL** (L3), encienda el icono "**DAL**" del visor del refrigerador.
 - El modo **DAL** se desactiva automáticamente pasado el periodo de tiempo establecido por la señal **DAL** (máx. 4.5 horas) o cuando se presiona la tecla Override (Anular).





Funcionamiento

- Reducción temporal de la carga del aparato (L4): El refrigerador responde a una señal **TALR** reduciendo drásticamente la carga durante un corto periodo de tiempo. Esta función reduce el consumo de energía deteniendo el compresor y controlando las funciones que consumen mucha energía, como el ciclo de descongelación y la fabricación de hielo.
 - Cuando el refrigerador funciona en el modo **TALR** (L4), encienda el icono "**TALR**" del visor del refrigerador.
 - El modo **TALR** (L4) se desactiva automáticamente pasado el periodo establecido (máx. 15 minutos) o cuando se presiona la tecla **Override** (Anular). El modo se desactiva de inmediato y el refrigerador regresa al estado normal cuando la puerta se abre o cierra o se utiliza el dispensador.

Para verificar la dirección MAC

1. En este modo, la dirección MAC aparece en el panel de temperatura secuencialmente durante 1 minuto.
Mantenga presionados **Fridge** (Refrigerador) y **Filter Reset** (Restablecer filtro) durante 6 segundos. El panel de temperatura titila. Luego, presione **Control Lock** (Bloqueo del control) para visualizar la dirección MAC. El refrigerador emite una señal sonora.
2. Por ejemplo, si la dirección MAC es "11-22-33-44-55-66", el panel de temperatura muestra la dirección durante 1 minuto en la siguiente secuencia: "--" → "11" → "22" → "33" → "44" → "55" → "66" → "--".
Después de 1 minuto, la dirección MAC desaparece y panel de temperatura recupera el estado normal.

NOTA

El panel de temperatura muestra "-- / --" para las direcciones MAC desconocidas o si no se ha establecido o se ha perdido una conexión Wi-Fi.

Modo de anulación

Cuando desee que el refrigerador ignore la señal SMART GRID (respuesta a la demanda) de la compañía de servicio eléctrico, puede activar el modo **VERRIDE** (ANULAR).

Si activa el modo **VERRIDE** (ANULAR), el refrigerador ignora la señal SMART GRID (respuesta a la demanda) y deja de estar controlado por la compañía de servicio eléctrico.

Activación y desactivación del modo de anulación

1. Mantenga presionado **Override** (Anular) durante 3 segundos.
2. Suena una alarma con el mensaje '**Or**' en el panel de temperatura durante 5 segundos. Se enciende el indicador de anulación (—).
3. Si el refrigerador recibe la señal SMART GRID (respuesta a la demanda) de la compañía de servicio eléctrico, se muestra "Or" en el visor de temperatura del refrigerador.
4. Para desactivar el modo ANULAR, mantenga presionado **Override** (Anular) durante 3 segundos.
5. Suena una alarma con el mensaje '**Or**' en el panel de temperatura durante 5 segundos. El indicador de anulación (—) se apaga.



NOTA

- Como alternativa, puede activar o desactivar el modo OVERRIDE (ANULAR) mediante la aplicación SmartThings y la función Energy Management (Gestión de energía). Ver la página siguiente.

Uso de la función de gestión de energía

La función Energy Management (Gestión de energía) permite controlar y supervisar el estado del refrigerador Energy Management mediante la aplicación SmartThings para su comodidad.

NOTA

- Para usar las funciones del refrigerador Energy Management (Gestión de energía), en primer lugar debe instalar la aplicación correspondiente.
1. Estado de funcionamiento, ajustes del usuario y mensajes
 - Puede ver la configuración de la temperatura del refrigerador.
 - Puede recibir una alarma cuando la puerta del refrigerador permanece abierta durante 2 minutos.
 - Puede verificar los estados de DR y de Anulación.
 2. Gestión remota
 - Configuración de refrigeración rápida: puede activar en manera remota la función Power Cool (Refrigeración rápida).
 3. Informe del consumo de energía
 - Muestra el consumo de energía acumulado. Los datos del consumo de energía se actualizan cada 10 minutos.

NOTA

El informe del consumo de energía puede diferir de las especificaciones de consumo de energía del producto dependiendo del entorno de funcionamiento y de los alimentos almacenados.

4. Capacidad de demora del descongelamiento
 - La función Delay Defrost Capability (Capacidad de demora del descongelamiento) ahorra energía demorando el descongelamiento hasta la hora especificada por el usuario. Se puede configurar la hora y esta función ahorrará energía durante el tiempo especificado en ciclos de 24 horas. Si no se establece la hora, funciona de acuerdo con la configuración de tiempo predeterminada. Las configuraciones de tiempo predeterminadas son las siguientes:
 - 6 am a 10 am: 1 de noviembre ~ 30 de abril
 - 3 pm a 7 pm: 1 de mayo ~ 31 de octubre

Para modificar la configuración de tiempo de la capacidad de demora del descongelamiento

Puede cambiar el ajuste de la hora de la capacidad de demora del descongelamiento en la aplicación.

Funcionamiento

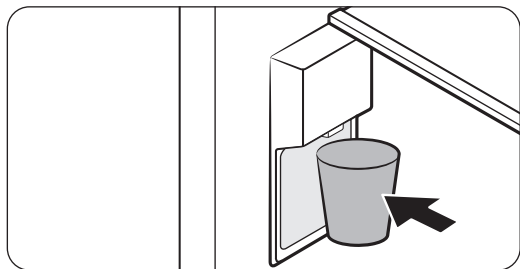
Facilitación de acceso abierto a los requisitos del producto conectado

1. SGIP Open Standards (Smart Energy Profile 2.0 <http://www.csep.org/>)
 - Informe del consumo de energía
 - Respuesta a la demanda
2. OPEN API
 - Estado de funcionamiento, ajustes del usuario y mensajes
 - Estado de la fábrica de hielo: GET /devices/0/Fridge/iceMaker
 - Alarma de puerta abierta: GET /devices/0/Door/<<id>>/openState
 - Estado DR: GET /devices/0/drlc
 - Capacidad de demora del descongelamiento
 - Establecer programación de la demora de descongelamiento: PUT /devices/0/fridge/<<id>>/DefrostReservation
 - Obtener programación de la demora de descongelamiento: GET /devices/0/fridge/<<id>>/DefrostReservation
 - Borrar programación de la demora de descongelamiento: DELETE /devices/0/fridge/<<id>>/DefrostReservation
 - Activar/desactivar demora de descongelamiento: PUT /devices/0/Fridge/delayDefrost

Funciones especiales

Dispensador de agua

El dispensador le permite disfrutar de agua fría.



Para dispensar agua fría, coloque un vaso para agua en la palanca del dispensador y presione. Saldrá agua fría del dispensador.

PRECAUCIÓN

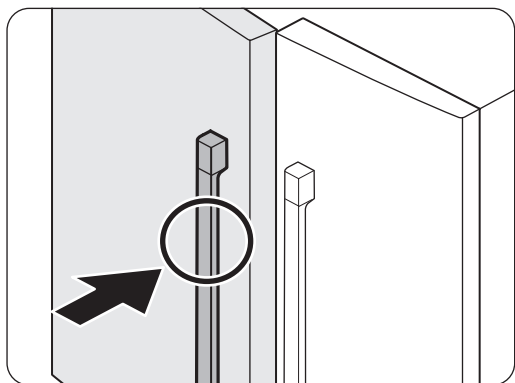
- Al usarlo por primera vez o después de reemplazar el filtro de agua, dispense 3 galones de agua (unos 6 minutos) para eliminar las impurezas de la tubería de agua.
- Si va a hacer un viaje de negocios o piensa ausentarse de su casa por un período prolongado, cierre la válvula de agua para evitar fugas. Esto ayudará a evitar una pérdida accidental.
- Utilice solo las mangueras nuevas provistas con el electrodoméstico. No reutilice las mangueras antiguas.

NOTA

- A fin de evitar derrames, espere un segundo antes de retirar el vaso después de llenarlo. Luego la palanca del dispensador regresa a su posición.
- El dispensador dejará de dispensar si se mantiene la palanca presionada durante aproximadamente 1 minuto. Para dispensar más agua, libere y presione la palanca nuevamente.
- Asegúrese de que el vaso esté alineado con el dispensador para evitar que el agua se derrame.

Funcionamiento

Sistema de apertura automática de la puerta



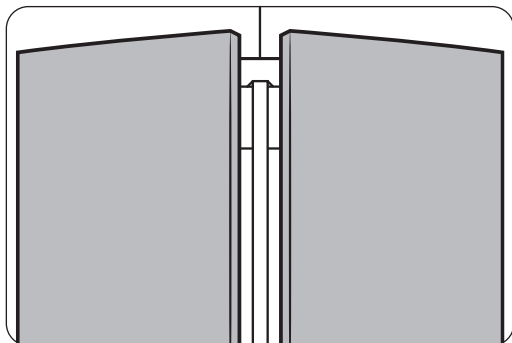
El sistema de apertura automática de la puerta ayuda a abrir la puerta sin esfuerzo con la ayuda de un dispositivo mecánico.

Para abrir la puerta en una manera mecánica, simplemente debe presionar la manija de la puerta.

La puerta se abre automáticamente.

Si se toca o se cierra de golpe no se activa el sistema de apertura automática de la puerta.

Cerrar la puerta demasiado pronto durante el cierre automático puede causar daños en el kit.



NOTA

- De manera predeterminada, el sistema está activado.
- El sistema no se activa inmediatamente después de cerrar la puerta. Espere 2 segundos y vuelva a intentarlo. No se trata de una falla del sistema.
- Cuando la puerta se abre mediante el sistema, permanece abierta por 2 segundos y se cierra automáticamente.
- Puede ajustar la sensibilidad a la presión. Para aumentar la sensibilidad a la presión, mantenga presionado al mismo tiempo **Deodorizer Filter Reset (Restablecer filtro desodorizador)** y **Water Filter Reset (Restablecer filtro de agua)** durante 3 segundos. El visor muestra "01" durante 3 segundos. Para cancelar, vuelva a presionar los dos botones durante 3 segundos. El visor cambia a "00".

PRECAUCIÓN

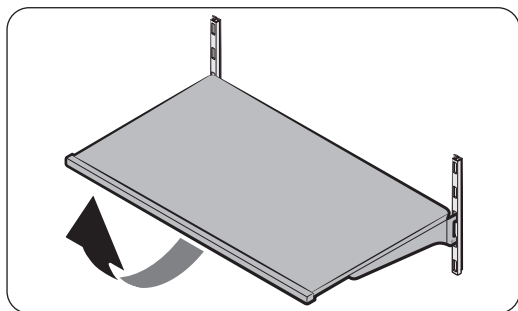
No empuje la puerta cuando está abierta. Podría ocasionar una falla mecánica del sistema.

- El esfuerzo necesario para empujar la puerta depende de las circunstancias. Aumenta inmediatamente después de cerrarse la puerta o de activarse el ciclo de refrigeración por la presión de succión del interior.
- Cuando se instalan dos refrigeradores juntos, es posible que el sistema se pueda activar cerrando la puerta del refrigerador contiguo. Esto puede ocurrir cuando la puerta se cierra con fuerza o cuando los refrigeradores no están bien fijados al gabinete.

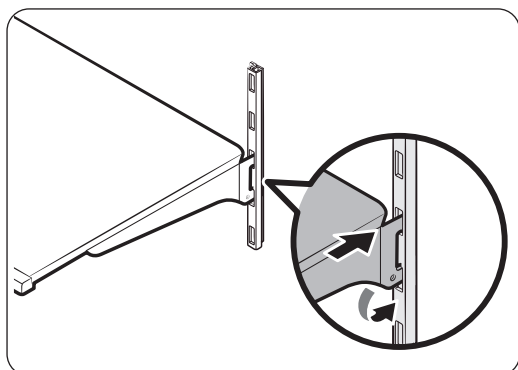
Funcionamiento

Manipulación y cuidado

Estantes de vidrio templado



Para retirar un estante, abra la puerta correspondiente por completo. Sostenga la parte delantera del estante y luego levántelo suavemente y deslícelo hacia afuera.

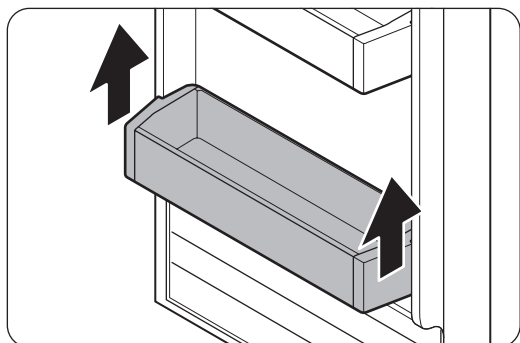


Para insertarlo nuevamente, sostenga el estante en ángulo de modo que la parte frontal esté más elevada que la trasera y luego inserte el gancho superior en la muesca superior del estante. Luego, baje el estante e inserte el gancho inferior del estante en la muesca inferior del estante.

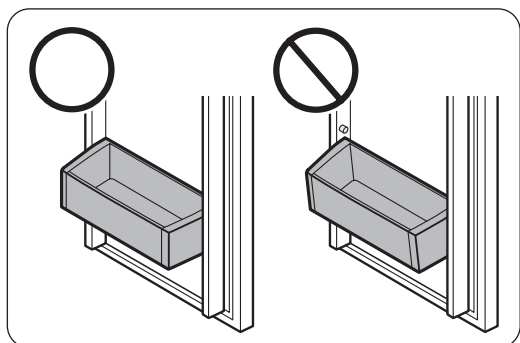
PRECAUCIÓN

Cuando retire o inserte el estante, tenga cuidado de no rayar los costados metálicos o de porcelana del refrigerador.

Compartimientos de las puertas



Para retirar los compartimientos de la puerta, levántelos y luego jale en línea recta. Es posible que el compartimiento de la puerta no se mueva con facilidad en el primer uso. En este caso, retire primero la cubierta interna de la puerta y vuelva a intentarlo.

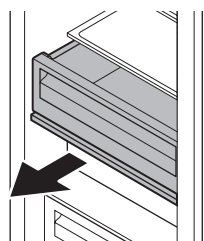


⚠ PRECAUCIÓN

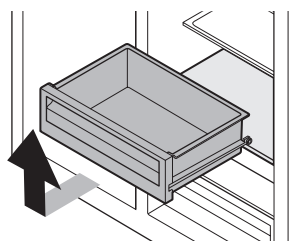
El compartimiento de la puerta tiene 4 orificios de ensamble, 2 en cada lado. Cuando vuelva a insertar el compartimiento de la puerta, asegúrese de que los 2 orificios de un lado encajen en los 2 ajustes del lado correspondiente de la puerta. Es decir, que los 4 orificios del compartimiento encajen en los 4 ajustes de la puerta. De lo contrario, el compartimiento de la puerta no quedará nivelado.

Cajones

Para retirarlos, levántelos suavemente por el frente y deslícelos hacia afuera. Se recomienda retirar los compartimientos de la puerta antes de retirar el cajón. Esto es para evitar que se dañen.



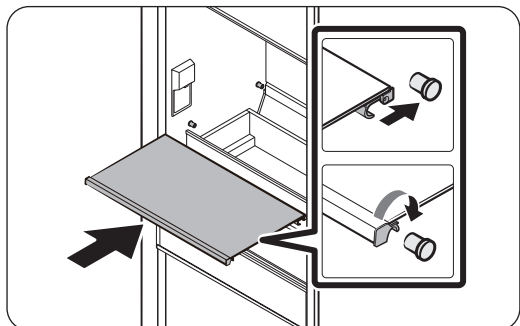
Retirada de los cajones



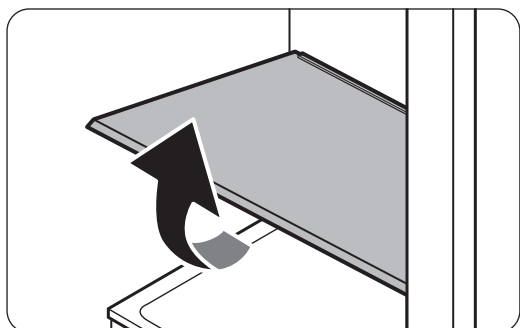
Extracción de los cajones

Funcionamiento

Estante de metal

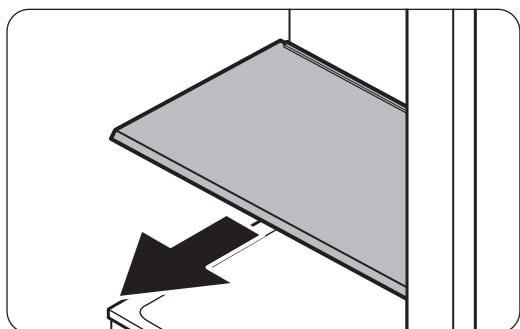


Por una cuestión de diseño, las cubiertas de los cajones se traban en las lengüetas de cada esquina de las dos paredes. Para ensamblar o desensamblar la cubierta, asegúrese de que está trabada o destrabada de las lengüetas.



Para desensamblar la cubierta, sujétela por los dos lados frontales. Levante la cubierta y jale hacia adelante. Asegúrese de que esté destrabada de las lengüetas.

Para ensamblar la cubierta, insértela y colóquela sobre las lengüetas. Presione suavemente hacia abajo para trazarla en las lengüetas.



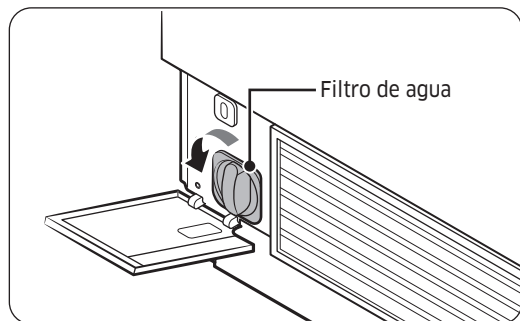
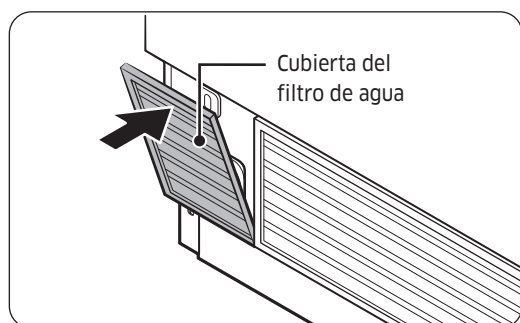
Reemplazo

Filtro de agua

ADVERTENCIA

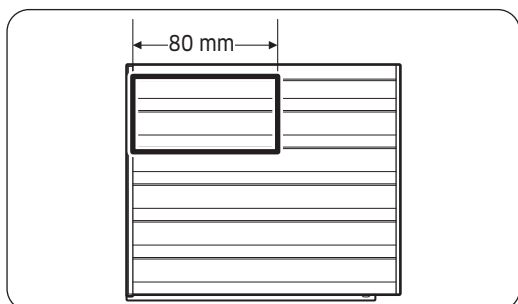
- No utilice filtros de agua de terceros. Utilice únicamente filtros provistos o aprobados por Dacor.
- Los filtros no aprobados pueden provocar pérdidas y daños al refrigerador y descargas eléctricas. Dacor no se hace responsable por los daños que puedan generarse a partir del uso de filtros de terceros.

El indicador del filtro (—) se pone rojo para recordarle que es momento de cambiar el filtro. Antes de reemplazar el filtro, asegúrese de que la tubería de agua esté cerrada.



1. Abra la cubierta del filtro de agua de la parte inferior izquierda del refrigerador.
2. Gire el filtro del dispensador en el sentido contrario al de las agujas del reloj para extraerlo.
3. Reemplácelo por un filtro de dispensador nuevo.
4. Cierre la cubierta del filtro de agua.
5. Mantenga presionado **Filter Reset (Restablecer filtro)** en el panel de funciones durante 3 segundos para restablecer el detector de ciclo de vida útil. El indicador del filtro (—) se apaga.
6. Al finalizar el reemplazo del filtro, abra la válvula de agua y deje correr el agua por el dispensador durante unos 7 minutos. De esta forma se eliminan las impurezas y el aire de la tubería de agua.

Funcionamiento



NOTA

La cubierta del filtro de agua se puede abrir simplemente presionando la zona marcada de la figura de la izquierda.

NOTA

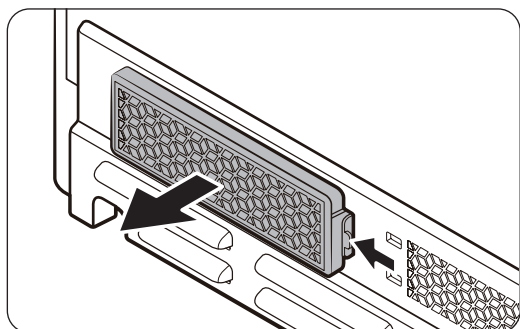
- Los filtros nuevos pueden hacer que brote agua del dispensador brevemente. Esto se debe al ingreso de aire en la tubería de agua.
- El proceso de reemplazo puede hacer que el dispensador de agua gotee por un período breve. Si gotea, simplemente limpie el agua del piso con una toalla seca.

Pedir un filtro nuevo

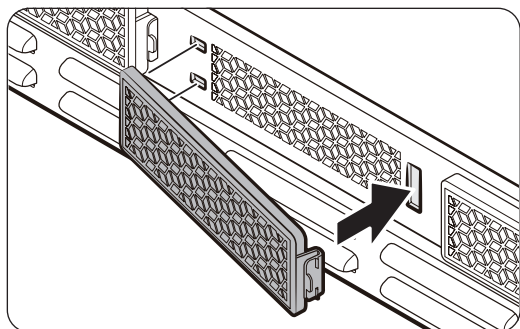
Para comprar un nuevo filtro de agua, comuníquese con un agente de servicio local.

Filtro desodorizador

- The overall design and/or accessories may differ with the model.



Para retirarlo, extraiga el cajón de la Zona fresca para dejar al descubierto el filtro que se encuentra en la pared trasera. Presione las lengüetas del filtro para destrabarlo y extraerlo.



Para insertarlo, coloque primero la parte trasera del filtro y empuje la parte frontal hasta que se trabe en su lugar.

NOTA

El ciclo de vida útil del filtro desodorizador es de 18 meses, aunque difiere dependiendo de las condiciones de uso. Puede comprar un nuevo filtro en un centro de servicio Dacor local.

Luces LED

Para reemplazar las luces LED del refrigerador, comuníquese con un agente de servicios local.

ADVERTENCIA

El usuario no debe cambiar las luces LED. No intente reemplazar la luz LED usted mismo. Puede provocar una descarga eléctrica.

Cuidado y mantenimiento

Limpieza

ADVERTENCIA

- No utilice benceno, solvente ni detergente para automóviles/hogareño como Clorox™ para limpiar. Pueden dañar la superficie del refrigerador y provocar un incendio.
- No rocíe agua sobre el refrigerador. Puede provocar una descarga eléctrica.
- No coloque los dedos ni otros objetos en la salida del dispensador.

Utilice un paño seco regularmente para retirar cualquier sustancia extraña como polvo o agua de las terminales del enchufe de alimentación y los puntos de contacto.

1. Apague el refrigerador.
2. Utilice un paño húmedo que no deje pelusa o una toalla de papel para limpiar el interior y el exterior del refrigerador.
3. Al terminar, utilice un paño seco o toalla de papel para secarlo bien.
4. Encienda el refrigerador.

Solución de problemas

Antes de solicitar servicio técnico revise los siguientes puntos de verificación. En el caso de solicitudes de servicio para situaciones normales (cuando no existe ningún defecto), se exigirá un cargo a los usuarios.

General

Temperatura

Síntoma	Causas posibles	Solución
El refrigerador/ congelador no funciona. La temperatura del refrigerador/congelador es elevada.	<ul style="list-style-type: none">El cable de alimentación no está conectado correctamente.	<ul style="list-style-type: none">Enchufe correctamente el cable de alimentación.
	<ul style="list-style-type: none">El control de temperatura no está configurado correctamente.	<ul style="list-style-type: none">Baje la temperatura.
	<ul style="list-style-type: none">El refrigerador está ubicado cerca de una fuente de calor o expuesto a la luz solar directa.	<ul style="list-style-type: none">Mantenga el refrigerador alejado de la luz solar directa o de las fuentes de calor.
	<ul style="list-style-type: none">El espacio entre el refrigerador y las paredes laterales o trasera es insuficiente.	<ul style="list-style-type: none">Asegúrese de dejar al menos 5 cm en la parte trasera y los laterales.
	<ul style="list-style-type: none">El refrigerador está demasiado lleno. Los alimentos bloquean las rejillas de ventilación del refrigerador.	<ul style="list-style-type: none">No sobrecargue el refrigerador. Evite que los alimentos bloqueen la ventilación.
El refrigerador/ congelador enfría demasiado.	<ul style="list-style-type: none">El control de temperatura no está configurado correctamente.	<ul style="list-style-type: none">Eleve la temperatura.

Solución de problemas

Olores

Síntoma	Causas posibles	Solución
El refrigerador huele mal.	<ul style="list-style-type: none">Alimentos descompuestos.	<ul style="list-style-type: none">Limpie el refrigerador y retire los alimentos descompuestos.El ciclo de vida útil del filtro desodorizador es de 18 meses, aunque difiere dependiendo de las condiciones de uso.
	<ul style="list-style-type: none">Alimentos con olores fuertes.	<ul style="list-style-type: none">Asegúrese de que los alimentos con olores fuertes estén envueltos al vacío.

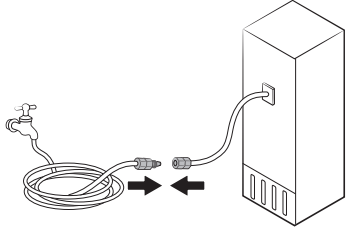
Escarcha

Síntoma	Causas posibles	Solución
Escarcha alrededor de las rejillas de ventilación.	<ul style="list-style-type: none">Los alimentos bloquean las rejillas de ventilación.	<ul style="list-style-type: none">Asegúrese de que ningún alimento bloquee las rejillas de ventilación del refrigerador.
Escarcha en las paredes internas.	<ul style="list-style-type: none">La puerta está mal cerrada.	<ul style="list-style-type: none">Asegúrese de que ningún alimento bloquee la puerta. Limpie las juntas de la puerta.

Condensación

Síntoma	Causas posibles	Solución
Se forma condensación en las paredes internas.	<ul style="list-style-type: none">Si se deja la puerta abierta, entra humedad en el refrigerador.	<ul style="list-style-type: none">Retire la humedad y no abra la puerta durante un tiempo.
	<ul style="list-style-type: none">Alimentos con elevado contenido de humedad.	<ul style="list-style-type: none">Asegúrese de que los alimentos estén envueltos al vacío.

Agua

Síntoma	Causas posibles	Solución
Sale menos agua de lo normal.	<ul style="list-style-type: none"> La presión del agua es demasiado baja. 	<ul style="list-style-type: none"> Asegúrese de que la presión del agua esté entre 20 y 120 psi (138 y 872 KPa).
No se dispensa agua.	<ul style="list-style-type: none"> La tubería de agua no está conectada correctamente o el suministro de agua está cerrado. 	<ul style="list-style-type: none"> Revise el estado de la instalación de agua. 
	<ul style="list-style-type: none"> No utilice filtros de agua de terceros. 	<ul style="list-style-type: none"> Utilice únicamente filtros provistos o aprobados por Dacor. Los filtros no aprobados pueden provocar pérdidas y daños al refrigerador.
	<ul style="list-style-type: none"> El indicador de filtro de agua se enciende o parpadea. 	<ul style="list-style-type: none"> Reemplace el filtro de agua. Luego de reemplazarlo, restablezca el sensor del indicador del filtro.

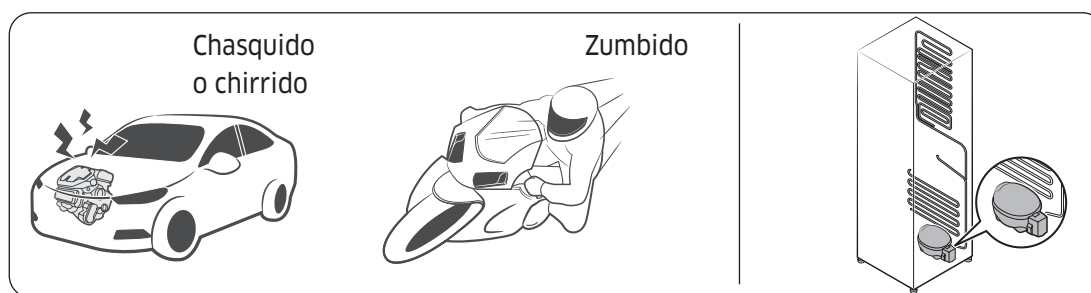
Solución de problemas

¿Se oyen ruidos anómalos procedentes del refrigerador?

Antes de solicitar servicio técnico revise los siguientes puntos de verificación. En el caso de solicitudes de servicio relacionado con ruidos normales se exigirá un cargo al usuario.

Dichos ruidos son normales.

- Cuando se inicia o finaliza una operación, el refrigerador puede emitir unos sonidos similares al encendido del motor de un auto. Cuando la operación se estabiliza, el ruido disminuye.



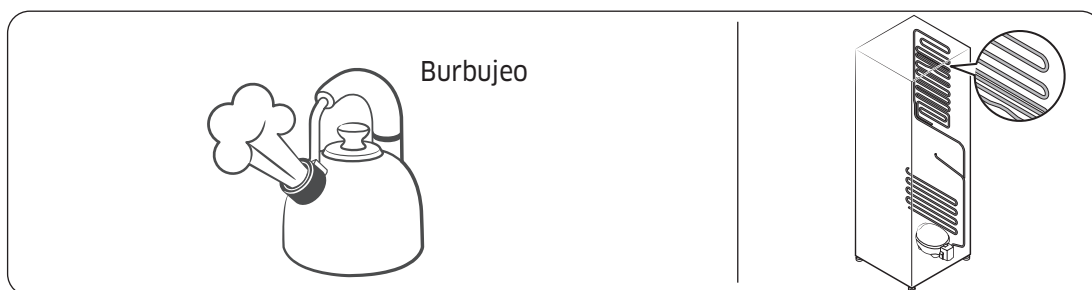
- Cuando el ventilador está en funcionamiento puede producir algunos ruidos. Cuando el refrigerador alcanza la temperatura establecida, el ventilador deja de producir ruidos.



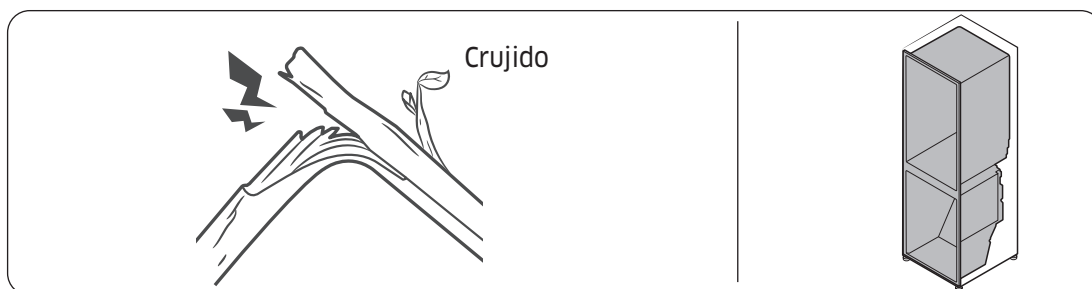
- Durante un ciclo de descongelación, pueden caer gotas de agua sobre el calefactor y producir ruidos de chisporroteo.



- Cuando el refrigerador enfría o congela, el gas refrigerante circula por las tuberías selladas y produce ruidos de burbujas.



- Cuando la temperatura del refrigerador aumenta o disminuye, las partes plásticas se contraen y se expanden y producen ruidos de golpeteo. Dichos ruidos se producen durante el ciclo de descongelación o cuando las piezas electrónicas están funcionando.



- Para modelos con fábrica de hielo: Cuando la válvula de agua se abre para llenar la fábrica de hielo, pueden emitirse unos zumbidos.
- Debido a la equalización de la presión cuando se abre y cierra la puerta, pueden producirse sonidos silbantes.

Solución de problemas

Apertura automática de la puerta (ADO)

Síntoma	Acción
La apertura automática de la puerta (ADO) no funciona.	<ul style="list-style-type: none">• Encienda el interruptor de apertura automática de la puerta (el interruptor de apertura automática de la puerta viene apagado de fábrica).• Si intenta volver a abrir directamente después de usar el refrigerador, el sistema de apertura automática de la puerta no puede funcionar con normalidad. Después de 1 minuto regresa automáticamente al funcionamiento normal. Espere 1 minuto y vuelva a intentarlo con cuidado.
Cuando se cierra una puerta, se abre la otra (instalación en par).	<ul style="list-style-type: none">• Cuando cierre la puerta de un refrigerador, la puerta del otro refrigerador (instalada como par) se puede abrir. Esto ocurre cuando se activa el sensor de la puerta del otro refrigerador y no es una falla del sistema. La puerta abierta se cerrará después de unos momentos mediante el sistema de cierre automático.

SmartThings

Síntoma	Acción
No se encuentra "SmartThings" en el mercado de aplicaciones.	<ul style="list-style-type: none"> La versión de software de soporte de la aplicación SmartThings está sujeta a cambios de acuerdo con la política de soporte del sistema operativo que proporciona el fabricante. Además, en cuanto a la aplicación SmartThings o las funciones que admite la aplicación, la nueva política de actualización de la aplicación en la versión del sistema operativo existente puede suspenderse por razones de seguridad o de usabilidad.
La aplicación SmartThings no funciona.	<ul style="list-style-type: none"> La aplicación SmartThings está disponible únicamente para los modelos correspondientes. La antigua aplicación del Dacor Smart Refrigerator no puede conectarse con los modelos Dacor Smart Home.
La aplicación SmartThings está instalada pero no se conecta a mi refrigerador.	<ul style="list-style-type: none"> Debe iniciar una sesión con su cuenta Samsung para utilizar la aplicación. Asegúrese de que su enrutador funcione normalmente. Si el icono de Wi-Fi del visor del refrigerador está apagado, significa que no se ha establecido aún la conexión de red. En este caso, use la aplicación para conectarse y registrar el refrigerador en el punto de acceso (PA) de su casa.
No se puede iniciar una sesión en la aplicación.	<ul style="list-style-type: none"> Debe iniciar una sesión con su cuenta Samsung para utilizar la aplicación. Si no tiene una cuenta Samsung, siga las instrucciones en pantalla de la aplicación para crear una.
Cuando trato de registrar mi refrigerador aparece un mensaje de error.	<ul style="list-style-type: none"> Easy Connection puede fallar como resultado de la distancia con respecto al punto de acceso (PA) o una interferencia eléctrica del entorno circundante. Espere un momento e inténtelo nuevamente.
La aplicación SmartThings está conectada correctamente a mi refrigerador pero no funciona.	<ul style="list-style-type: none"> Salga y reinicie la aplicación SmartThings o desconecte el enrutador y conéctelo nuevamente. Apague el refrigerador y vuelva a encenderlo después de 1 minuto.

Solución de problemas

Smart Grid

Síntoma	Acción
¿Qué necesito para utilizar las funciones Energy Management (Gestión de energía) y Smart Grid?	<ul style="list-style-type: none"> Para usar las funciones Smart Grid (respuesta a la demanda) y Energy Management (Gestión de energía) del refrigerador, se necesitan los siguientes dispositivos y aplicaciones: <ul style="list-style-type: none"> - Dispositivos: 1) Enrutador inalámbrico, 2) Refrigerador SmartThings, 3) Teléfono inteligente. (Recomendado: Sistema operativo Android 6.0 o una versión posterior) - Aplicaciones: 1) "SmartThings App" (Aplicación SmartThings) de la Google Play Store. También deberá: <ul style="list-style-type: none"> • Conectar el refrigerador y el teléfono inteligente a la misma red Wi-Fi de su casa. • Instale y ejecute la aplicación SmartThings en su teléfono inteligente. • Además, para usar la función Smart Grid (respuesta a la demanda), debe registrar el servicio en su compañía de electricidad. La compañía debe tener un EMS (sistema de gestión de energía) compatible con SEP (perfil de energía inteligente).
¿Por qué la función Energy Management (Gestión de energía) no opera con normalidad?	<ul style="list-style-type: none"> Asegúrese de que el enrutador de su casa e Internet operen con normalidad. <ul style="list-style-type: none"> - Conecte un teléfono inteligente al enrutador (PA, punto de acceso) y asegúrese de que pueda navegar por Internet. Asegúrese de que el refrigerador esté conectado al PA. <ul style="list-style-type: none"> - Verifique que el icono de Wi-Fi aparezca en el panel del refrigerador. Si el refrigerador está conectado, el icono estará encendido. Confirme que el refrigerador y el teléfono inteligente estén conectados al mismo enrutador.
¿Por qué la función Delay Defrost Capability (Capacidad de demora del descongelamiento) no opera con normalidad?	<ul style="list-style-type: none"> Asegúrese de que el enrutador de su casa e Internet operen con normalidad. Conecte un teléfono inteligente al enrutador (PA, punto de acceso) y asegúrese de que pueda acceder a Internet. Asegúrese de haber ingresado la zona donde vive correctamente en la aplicación SmartThings. Confirme que la función Smart Grid funcione correctamente. (Verifique el panel de control. Los iconos DAL o TALR no deben visualizarse en el panel.)

Garantía

Atención al cliente

Antes de solicitar asistencia o programar un servicio:

1. Pruebe con las soluciones provistas en la tabla de la sección “Solución de problemas”.
2. Familiarícese con los términos y condiciones de la garantía del producto.
3. Si ninguno de esos consejos prácticos o sugerencias resuelve su problema, visite dacor.com o llame a nuestro centro de atención al cliente al (833) 353-5483 (Estados Unidos), (844) 509-4659 (Canadá)

Estados Unidos - Garantía

CERTIFICADO DE GARANTÍA PARA REFRIGERADOR DACOR - ESTADOS UNIDOS:

GARANTIA COMPLETA DE DOS AÑOS

Esta garantía cubre cualquier defecto en los materiales o la mano de obra en el nuevo electrodoméstico de la marca Dacor comprado a un distribuidor autorizado de Dacor u otro vendedor autorizado por Dacor.

Esta garantía se aplica por dos años a partir de la fecha de entrega y/o la fecha de cierre para la nueva construcción, el periodo que sea más largo. Dacor reparará o reemplazará su producto.

GARANTÍA LIMITADA

Una vez finalizado el período de garantía completa, este producto está garantizado contra defectos de materiales o mano de obra que se nos informen durante los períodos de garantía aplicables de la siguiente manera:

Años 3 a 6 de su propiedad - Piezas y mano de obra del sistema hermético	Durante el tercer al sexto año de su propiedad, pagaremos las piezas especificadas de fábrica y los costos de mano de obra de reparación para corregir defectos en los materiales o la mano de obra en el sistema de refrigeración hermético (compresor, evaporador, condensador, secador y tubería de conexión).
Años 7 a 10 de su propiedad - Solo piezas del sistema hermético	Durante el séptimo al décimo año de su propiedad, pagaremos solo las piezas especificadas de fábrica para corregir defectos en el sistema de refrigeración hermético.

Garantía

Defectos cosméticos. Además, durante 60 días a partir de la fecha de entrega, se garantiza que su producto está libre de defectos cosméticos en los materiales y la mano de obra (como arañazos del acero inoxidable, manchas en la pintura/porcelana, astillas, abolladuras u otros daños en el acabado). Se excluyen las variaciones de color y se excluyen específicamente los productos de exhibición, modelo de piso, vendidos “tal cual” o reacondicionados.

LIMITACIONES DE LA COBERTURA

El servicio será ofrecido por una empresa de servicios designada por Dacor durante el horario laboral normal. Les rogamos que tengan en cuenta que los proveedores de servicios no son agentes de Dacor, sino entidades independientes.

El propietario debe proporcionar a solicitud una prueba de compra, prueba de entrega y/o una declaración de cierre para la nueva construcción. Todos los productos Dacor deben estar en una ubicación accesible para el servicio.

La garantía se considerará nula y sin efecto en aquellos productos cuyos números de serie y etiquetas hayan sido alterados, desfigurados o eliminados.

La garantía se considerará nula y sin efecto si un producto no aprobado por CSA se transporta desde Estados Unidos.

LO QUE NO ESTÁ CUBIERTO

<ul style="list-style-type: none"> Pueden observarse ligeras variaciones en el color a causa de diferencias entre las partes pintadas, iluminación de la cocina, ubicación del producto y otros factores; esta garantía no cubre las variaciones de color. 	<ul style="list-style-type: none"> Las llamadas de servicio para instruir al cliente acerca del correcto uso y cuidado del producto.
<ul style="list-style-type: none"> Las tarifas de servicio para viajes a islas y áreas remotas, que incluyen, entre otros, transbordadores, carreteras con peaje u otros gastos de viaje. 	<ul style="list-style-type: none"> Daños indirectos o accidentales, que incluyen, aunque no de modo taxativo: pérdida de alimentos o medicinas, ausencia del trabajo o comidas en restaurantes.
<ul style="list-style-type: none"> Fines comerciales, empresariales, de alquiler o cualquier otro propósito que no sea el uso residencial por parte del consumidor. 	<ul style="list-style-type: none"> Falla del producto causada por una instalación incorrecta.
<ul style="list-style-type: none"> Reemplazo de fusibles o cajas de fusibles domésticos o reajuste de disyuntores. 	<ul style="list-style-type: none"> Daños causados por accidentes, incendios, inundaciones, interrupción de alimentación, sobrecargas eléctricas o fenómenos naturales.
<ul style="list-style-type: none"> Responsabilidad por daños a la propiedad circundante, incluyendo gabinetes, pisos, techos y otros objetos o estructuras. 	<ul style="list-style-type: none"> Rotura, decoloración o daños a superficies de cristal o metálicas, componentes plásticos, bordes, pintura u otros acabados cosméticos causados por mal uso o cuidado impropio, abuso o negligencia.
<ul style="list-style-type: none"> Excepto en los casos indicados anteriormente, las partes consumibles como filtros y lámparas no están incluidas y son responsabilidad del comprador. 	

Garantía

LOS RECURSOS PROPORCIONADOS EN LAS GARANTÍAS EXPRESAS ANTEDICHAS CONSTITUYEN SU ÚNICO Y EXCLUSIVO RECURSO. POR CONSIGUIENTE, NO SE OFRECE NINGUNA OTRA GARANTÍA EXPRESA, Y FUERA DE LOS CINCUENTA ESTADOS DE ESTADOS UNIDOS Y CANADÁ, TODAS LAS GARANTÍAS IMPLÍCITAS, INCLUIDAS, ENTRE OTRAS, LAS GARANTÍAS IMPLÍCITAS DE COMERCIABILIDAD O DE IDONEIDAD PARA UN USO O FIN CONCRETO, TIENEN UNA DURACIÓN LIMITADA A UN AÑO A PARTIR DE LA FECHA DE COMPRA ORIGINAL. EN NINGÚN CASO DACOR SERÁ RESPONSABLE DE DAÑOS ACCIDENTALES O INDIRECTOS. EN CASO DE QUE DACOR GANE UN JUICIO, DACOR TENDRÁ DERECHO A RECIBIR DEL CLIENTE EL REEMBOLSO DE TODOS LOS COSTOS Y GASTOS, INCLUIDOS LOS HONORARIOS DEL ABOGADO. NO SE OFRECE GARANTÍA ALGUNA, EXPRESA O IMPLÍCITA, A UN COMPRADOR QUE REVENDA EL PRODUCTO.

Ciertos estados no permiten limitaciones en cuanto a la vigencia de una garantía implícita o no permiten la exclusión o limitación de daños intrascendentes, de tal forma que las limitaciones o excepciones mencionadas tal vez no se apliquen a usted en particular. Esta garantía le otorga derechos legales específicos, e incluso puede otorgarle otros derechos que varían de un estado a otro.

Garante: Samsung Electronics America, Inc.
700 Sylvan Avenue, Englewood Cliffs, NJ 07632

Aviso regulatorio

Aviso de la FCC (Federal Communications Commission)

PRECAUCIÓN de la FCC:

Todos los cambios y modificaciones que no cuenten con la aprobación expresa de la parte responsable del cumplimiento pueden invalidar la autoridad del usuario para operar el equipo.

Contiene módulo transmisor FCC ID: A3LWIDT30Q

Este aparato cumple con la sección 15 de las Normas de la FCC. El funcionamiento se encuentra sujeto a las siguientes dos condiciones:

- (1) Este aparato no puede causar interferencia dañina y
- (2) Este aparato debe aceptar la recepción de cualquier interferencia, incluidas aquellas que causen un funcionamiento indeseado.

En los productos disponibles en los mercados de los Estados Unidos y Canadá, solo están disponibles los canales 1 a 11.

No es posible seleccionar otros canales.

DECLARACIÓN DE LA FCC:

Este equipo ha sido sometido a pruebas y se ha determinado que se encuentra dentro de los límites para los dispositivos digitales clase B, de acuerdo con la parte 15 de las Normas de la FCC. Dichos límites han sido diseñados para proporcionar una protección razonable contra la interferencia dañina en una instalación residencial.

Este equipo genera, utiliza y puede irradiar energía de frecuencias de radio y, si no se lo instala y utiliza de acuerdo con las instrucciones, pueden producirse interferencias en las comunicaciones de radio. Sin embargo, no existe garantía alguna de que no habrá interferencia en una instalación determinada. Si el equipo provoca interferencia dañina a la recepción de radio o televisión, que puede determinarse al encender y apagar el equipo, se sugiere que el usuario trate de corregir la interferencia mediante una o más de las siguientes medidas:

- Reorientar o reubicar la antena receptora
- Aumentar la distancia entre el equipo y el receptor
- Conectar el equipo en un tomacorriente que está en un circuito diferente que el receptor.
- Consultar a su distribuidor o a un técnico experimentado en radio/TV para obtener ayuda.

DECLARACIÓN DE LA FCC SOBRE LA EXPOSICIÓN A LA RADIACIÓN:

Este equipo cumple con los límites de exposición a la radiación establecidos por la FCC para un entorno no controlado.

Este equipo debe instalarse y utilizarse con una distancia mínima de 8 pulgadas (20 cm) entre el radiador y su cuerpo. Este aparato y sus antenas no deben ubicarse ni utilizarse junto con ninguna otra antena o transmisor excepto si se cumplen los procedimientos de la FCC para productos transmisores múltiples.

Aviso regulatorio

Aviso de la IC

Contiene módulo de transmisor IC: 649E-WIDT30Q

El término "IC" antes del número de certificación de radio solo significa que cumple con las especificaciones técnicas de la Industria de Canadá. El funcionamiento se encuentra sujeto a las siguientes dos condiciones: (1) Este aparato no puede causar interferencia dañina, y (2) este aparato debe aceptar la recepción de cualquier interferencia, incluidas aquellas que puedan causar un funcionamiento indeseado.

Este aparato digital Clase B cumple con el ICES-003 de Canadá.

Cet appareil numérique de la classe B est conforme à la norme NMB-003 du Canada.

En los productos disponibles en los mercados de los Estados Unidos y Canadá, solo están disponibles los canales 1 a 11. No es posible seleccionar otros canales.

DECLARACIÓN IC SOBRE LA EXPOSICIÓN A LA RADIACIÓN:

Este equipo cumple con los límites de exposición a la radiación establecidos por la IC RSS-102 para un entorno no controlado. Este equipo debe instalarse y utilizarse con una distancia mínima de 8 pulgadas (20 cm) entre el radiador y su cuerpo. Este aparato y sus antenas no deben ubicarse ni utilizarse junto con ninguna otra antena o transmisor excepto si se cumplen los procedimientos de la FCC para productos transmisores múltiples.

GUARDE ESTAS INSTRUCCIONES

Notas

Notas

Notas

Comuníquese con Dacor

Si tiene preguntas o comentarios relacionados con los electrodomésticos Dacor, póngase en contacto con el Centro de Atención al Cliente de Dacor.

País	Centro de contacto	Sitio web
U.S.A	1-833-353-5483	www.dacor.com
CANADA	1-844-509-4659	www.dacor.com



DA68-03607B-11

dacor[®]

dacor[®]

Guide d'utilisation

Réfrigérateur encastré

DRR24980*** / DRR30980*** / DRR30990*** /
DRR36980***





Table des matières

Informations importantes	4
Avant de commencer	4
Consignes de sécurité	5
Ce que vous devez savoir concernant les consignes de sécurité	5
Consignes et symboles de sécurité importants :	6
Avertissement de la proposition 65 de l'État de Californie	6
Mesures importantes de sécurité	6
Symboles de mise en garde importants concernant le transport et le lieu d'installation de l'appareil	8
Mises en garde importantes concernant l'installation	9
Mises en garde concernant l'installation	11
Mises en garde importantes concernant l'utilisation	11
Mises en garde concernant l'utilisation	14
Mises en garde concernant le nettoyage	15
Mises en garde importantes concernant la mise au rebut	16
Pièces incluses	17
Pièces internes, stockage et rayonnage	17
Opérations	19
Panneau de commande	19
SmartThings	26
Fonction SMART GRID (Réponse à la demande)	29
Fonctions spéciales	33
Utilisation et entretien	36
Remplacement	39
Nettoyage et entretien	42
Nettoyage	42



Dépannage	43
Généralités	43
Votre réfrigérateur émet un bruit anormal ?	46
Ouverture automatique de la porte (OAP)	48
SmartThings	49
Smart Grid (Réponse à la demande)	50
Garantie	51
Canada - Garantie	51
Avis d'application de la réglementation	58
Norme FCC	58
Norme IC	59

Informations importantes

Avant de commencer



Installateur

- Conservez ces consignes d'utilisation et d'entretien avec votre appareil.

Consommateur

- Veuillez lire ce manuel d'utilisation et d'entretien dans son intégralité avant d'utiliser votre réfrigérateur. Gardez-le pour le consulter ultérieurement.

- La conception générale et/ou les accessoires peuvent varier d'un modèle à un autre.

Conservez votre reçu de vente ou un chèque annulé. Une preuve d'achat originale indiquant la date d'achat est requise pour le service de garantie.

Repérez les numéros de modèle et de série pour préparer votre appareil.

Vous trouverez ces numéros sur l'étiquette située à l'intérieur de la paroi du réfrigérateur. Notez ces numéros ci-dessous pour plus de praticité.

Numéro de modèle	
Numéro de série	
Date d'achat	

Consignes de sécurité

Avant d'utiliser votre nouveau réfrigérateur Dacor, veuillez lire attentivement ce manuel afin de vous assurer que vous savez comment utiliser de manière sûre et efficace ses différentes fonctionnalités.

Ce que vous devez savoir concernant les consignes de sécurité

- Cet appareil n'est pas conçu pour être utilisé par des personnes (y compris des enfants) manquant d'expérience et de connaissances, ou dont les capacités physiques, sensorielles ou mentales sont réduites, sauf si celles-ci sont sous la surveillance ou ont reçu les instructions d'utilisation appropriées de la personne responsable de leur sécurité. Il est nécessaire de surveiller les enfants pour s'assurer qu'ils ne jouent pas avec l'appareil.
- Les instructions suivantes concernent plusieurs modèles ; il est donc possible que les caractéristiques de votre réfrigérateur soient légèrement différentes de celles spécifiées dans ce manuel.
- Pour toute question, trouvez de l'aide ou des informations en ligne sur www.dacor.com.
- Le gaz réfrigérant qui pourrait s'échapper des tuyaux risquerait de s'enflammer ou de provoquer des lésions oculaires. En cas de fuite de réfrigérant, n'approchez pas de flamme nue, éloignez tout objet inflammable de l'appareil et aérez immédiatement la pièce.
 - Le non-respect de cette consigne risquerait de provoquer un incendie ou une explosion.
- Toute utilisation non conforme de la fiche de mise à la terre peut présenter un risque de choc électrique. Si l'utilisation d'une rallonge s'avère nécessaire, utilisez uniquement une rallonge à trois fils munie d'une fiche de mise à la terre à trois broches que vous brancherez dans une prise à trois alvéoles compatible avec la fiche de l'appareil. Les caractéristiques électriques de la rallonge doivent être de 115-120 V c.a. et 10 A minimum. Si un adaptateur de mise à la terre est utilisé, vérifiez que la boîte de prise de courant est entièrement mise à la terre.



Consignes de sécurité

Consignes et symboles de sécurité importants :

Veillez suivre toutes les instructions relatives à la sécurité fournies dans le présent manuel. Le présent manuel utilise les symboles de sécurité suivants.

AVERTISSEMENT

Pratiques inadaptées ou dangereuses susceptibles de causer des blessures graves, voire mortelles, et des dommages matériels.

ATTENTION

Pratiques inadaptées ou dangereuses susceptibles de causer des blessures graves et/ou des dommages matériels.

REMARQUE

Informations utiles qui aident l'utilisateur à comprendre ou utiliser le réfrigérateur.

Ces symboles d'avertissement ont pour but d'éviter tout risque de blessure.

Respectez-les en toutes circonstances.

Lisez attentivement la présente section et conservez le guide en lieu sûr afin de pouvoir le consulter ultérieurement.

Avertissement de la proposition 65 de l'État de Californie

AVERTISSEMENT

Cancer et troubles de la reproduction : www.P65Warnings.ca.gov.

Mesures importantes de sécurité



AVERTISSEMENT : risque d'incendie / matériaux inflammables

AVERTISSEMENT

- Le gaz réfrigérant utilisé est le R-600a. Cet appareil contient du gaz inflammable (gaz réfrigérant R-600a) ; veuillez communiquer avec les autorités locales pour obtenir des renseignements sur la mise au rebut en toute sécurité de votre appareil.



- Afin d'éviter la création d'un mélange gaz-air inflammable lorsqu'une fuite se produit dans le circuit frigorifique, la taille de la pièce où installer l'appareil dépend de la quantité de gaz réfrigérant utilisée. La pièce doit avoir un volume de 35,3 pi³ pour chaque 8 g de gaz réfrigérant R-600a à l'intérieur de l'appareil.
- L'emplacement choisi pour l'installation ne doit pas être exposé à la lumière directe du soleil et ne doit pas être placé à proximité d'une source de chaleur ou d'un autre appareil électrique, par exemple d'une cuisinière, d'un four, d'une plaque chauffante ou encore d'un radiateur.
- Pour des raisons de sécurité, si vous utilisez deux appareils côte à côte, assurez-vous d'utiliser des appareils certifiés dans les atmosphères contenant des gaz explosifs.
- Ne démarrez jamais un appareil qui présente des signes d'endommagement. En cas de doutes, communiquez avec votre revendeur.
- Si le cordon d'alimentation est endommagé, il doit être remplacé par le fabricant, un fournisseur de service ou toute autre personne qualifiée afin d'éviter tout risque.
- La prise doit être facilement accessible afin de pouvoir rapidement débrancher l'appareil de l'alimentation en cas d'urgence. Elle ne doit pas se situer derrière l'appareil.
- Dans cet appareil, ne stockez pas de substances explosives telles que des aérosols avec un propulseur inflammable.
- Les jeux de tuyaux neufs fournis avec l'appareil doivent être utilisés et les anciens ne doivent pas être réutilisés.
- Lors du positionnement de l'appareil, assurez-vous que le cordon d'alimentation n'est pas coincé ou endommagé.
- Ne placez pas plusieurs rallonges électriques ou sources d'alimentation portables à l'arrière de l'appareil.

MISE EN GARDE

- Remplir uniquement avec de l'eau potable.
- Maintenir dégagées les ouvertures de ventilation dans l'enceinte de l'appareil ou dans la structure d'encastrement.
- Ne pas utiliser de dispositifs mécaniques ou autres moyens pour accélérer le processus de dégivrage autres que ceux recommandés par le fabricant.
- Ne pas endommager le circuit de réfrigération.
- Ne pas utiliser d'appareils électriques à l'intérieur du compartiment de stockage des denrées, à moins qu'ils ne soient du type recommandé par le fabricant.
- Raccordez le réfrigérateur à une source d'eau potable uniquement.

MISE EN GARDE

- Risque d'enfermer les enfants. Avant de jeter votre vieux réfrigérateur ou congélateur :
 - Retirer les portes.
 - Laisser les tablettes en place pour que les enfants ne puissent pas facilement grimper à l'intérieur.



Consignes de sécurité

ATTENTION

- Risque d'incendie ou d'explosion. Gaz réfrigérant inflammable utilisé. N'utilisez pas d'appareils mécaniques pour dégivrer le réfrigérateur. Ne percez pas le tube de gaz réfrigérant.
- Risque d'incendie ou d'explosion. Gaz réfrigérant inflammable utilisé. Les réparations doivent être effectuées uniquement par un personnel d'entretien qualifié. Ne percez pas le tube de gaz réfrigérant.
- Risque d'incendie ou d'explosion. Gaz réfrigérant inflammable utilisé. Consultez le guide de réparation/Guide d'utilisation avant de tenter une intervention sur cet appareil. Toutes les consignes de sécurité doivent être respectées.
- Risque d'incendie ou d'explosion. Procédez correctement à la mise au rebut en respectant les réglementations fédérales ou locales en vigueur. Gaz réfrigérant inflammable utilisé.
- Risque d'incendie ou d'explosion en cas de perforation de tube de gaz réfrigérant ; respectez scrupuleusement les instructions de manipulation. Gaz réfrigérant inflammable utilisé.
- Afin d'éviter tout risque d'enfermement des enfants, conservez hors de la portée des enfants et à distance du congélateur ou du réfrigérateur.

Cet appareil est destiné à être utilisé dans les applications domestiques et similaires telles que :

- zones de cuisine du personnel dans les magasins, bureaux et autres environnements de travail ;
- fermes et clients d'hôtels, motels et autres environnements de type résidentiel ;
- environnement de type « chambres d'hôtes » ;
- applications de restauration et collectives similaires.

Symboles de mise en garde importants concernant le transport et le lieu d'installation de l'appareil

AVERTISSEMENT

- Veillez à ce qu'aucune pièce du circuit frigorifique ne soit endommagée pendant le transport ou l'installation de l'appareil.
 - Risque d'incendie ou de lésions oculaires en cas de fuite de réfrigérant. En cas de fuite, n'approchez pas de flamme nue ou de source d'inflammation potentielle et aérez la pièce pendant plusieurs minutes.
 - Cet appareil contient une faible quantité de réfrigérant isobutane (R-600a), un gaz naturel présentant une compatibilité écologique élevée, mais qui est aussi inflammable.
 - Veillez à ce qu'aucune pièce du circuit frigorifique ne soit endommagée pendant le transport ou l'installation de l'appareil.





Mises en garde importantes concernant l'installation

AVERTISSEMENT

- N'installez pas le réfrigérateur dans un lieu humide ou dans un lieu où il est susceptible d'être en contact avec de l'eau.
 - Une détérioration de l'isolation sur des composants électriques est susceptible de provoquer un choc électrique ou un incendie.
- N'installez pas le réfrigérateur dans un endroit exposé à la lumière directe du soleil ou à proximité d'une cuisinière, d'un appareil de chauffage ou d'autres appareils.
- Ne branchez pas plusieurs appareils et le réfrigérateur sur la même multiprise. Le réfrigérateur doit toujours être branché dans une prise de courant indépendante dotée d'une tension nominale correspondant à celle figurant sur la plaque signalétique du réfrigérateur.
 - Ceci permet de bénéficier de performances optimales mais également d'éviter une surcharge des circuits électriques de la maison, ce qui pourrait entraîner une surchauffe des fils et présenter un risque d'incendie.
- Ne branchez pas la fiche d'alimentation dans une prise murale mal fixée.
 - Un choc électrique ou un incendie pourraient en résulter.
- N'utilisez pas de cordon dont la gaine est craquelée ou endommagée à quelque endroit ou à l'une de ses extrémités.
- Ne pliez pas le cordon d'alimentation à l'excès et ne posez pas d'objets lourds dessus.
- Ne tirez pas ou ne pliez pas excessivement le cordon d'alimentation.
- Ne tordez pas ou ne nouez pas le cordon d'alimentation.
- N'accrochez pas le cordon d'alimentation sur un objet métallique, ne placez pas un objet lourd sur le cordon d'alimentation, n'insérez pas le cordon d'alimentation entre des objets, ou n'enfonchez pas le cordon d'alimentation dans l'espace situé derrière l'appareil.
- Ne débranchez jamais le réfrigérateur en tirant sur le cordon d'alimentation. Maintenez toujours fermement la fiche pour la débrancher de la prise de courant.
 - Tout dommage causé au cordon est susceptible d'entraîner un court-circuit, un incendie et/ou un choc électrique.
- N'installez pas cet appareil près d'une source de chaleur ni d'un matériau inflammable.
- N'installez pas cet appareil dans un endroit où des fuites de gaz sont susceptibles de se produire.
 - Un choc électrique ou un incendie pourraient en résulter.
- Ce réfrigérateur doit être correctement situé et installé conformément aux instructions du présent guide avant d'être utilisé.
- Branchez la fiche d'alimentation de façon à ce que le cordon pende vers le bas.
 - Si vous branchez la fiche d'alimentation à l'envers, le fil est susceptible de se rompre et de provoquer un incendie ou un choc électrique.
- Assurez-vous que la fiche d'alimentation n'est pas écrasée ou endommagée par le dos du réfrigérateur.
- Gardez les matériaux d'emballage hors de portée des enfants.
 - Il y a un risque d'asphyxie si un enfant place les matériaux d'emballage sur sa tête.





Consignes de sécurité

- L'appareil doit être positionné de façon à ce que la fiche reste accessible après l'installation.
 - Le non-respect de cette consigne risquerait de provoquer un choc électrique ou un incendie en raison de fuites électriques.
- N'installez pas cet appareil dans un lieu humide, huileux ou poussiéreux, ni dans un endroit exposé directement au soleil ou à l'eau (gouttes de pluie).
 - Une détérioration de l'isolation sur des composants électriques est susceptible de provoquer un choc électrique ou un incendie.
- Si de grandes quantités de poussière ou d'eau entrent dans le réfrigérateur, débranchez la fiche d'alimentation et communiquez avec un centre de service Dacor.
 - À défaut, il existe un risque d'incendie.
- Vous devez retirer toutes les pellicules protectrices en plastique avant de brancher l'appareil pour la première fois.
- Les enfants doivent être sous surveillance afin de s'assurer qu'ils ne jouent pas avec les circlips utilisés pour l'ajustement de la porte ou avec les brides du tuyau d'eau.
 - Il existe un risque de mort par suffocation si un enfant avale un circlip ou une bride du tuyau d'eau. Tenez les circlips et les brides du tuyau d'eau hors de portée des enfants.
- Le réfrigérateur doit être correctement mis à la terre.
 - Veillez toujours à ce que le réfrigérateur soit branché à la terre avant de vérifier ou de réparer n'importe quelle partie de l'appareil. Les fuites électriques peuvent provoquer des chocs électriques graves.
- N'utilisez jamais de conduites de gaz, de fils téléphoniques ou d'autres éléments susceptibles d'attirer la foudre pour relier l'appareil à la terre.
 - Le réfrigérateur doit être mis à la terre afin d'éviter les dissipations d'énergie ou les chocs électriques provoqués par les fuites de courant de l'appareil.
 - Le non-respect de cette consigne risque d'entraîner un choc électrique, un incendie, une explosion ou un dysfonctionnement de l'appareil.
- Branchez fermement la fiche dans la prise murale. N'utilisez pas de fiche d'alimentation endommagée, de cordon d'alimentation endommagé ou de prise murale mal fixée.
 - Un choc électrique ou un incendie pourraient en résulter.
- Seul un technicien qualifié ou une société de service doit être autorisé(e) à changer le fusible dans le réfrigérateur.
 - Le non-respect de cette consigne risquerait de provoquer un choc électrique ou des blessures corporelles.
- Afin d'éviter tout danger lié à l'instabilité de l'appareil, ce dernier doit être fixé conformément aux instructions.



Mises en garde concernant l'installation

ATTENTION

- Laissez un espace suffisant autour du réfrigérateur et installez celui-ci sur une surface plane.
 - N'obstruez pas l'espace de ventilation à l'intérieur du réfrigérateur ou de son caisson.
- Après avoir installé et mis sous tension votre réfrigérateur, laissez l'appareil au repos pendant 2 heures avant de le remplir d'aliments.
- Il est vivement recommandé de faire appel à un technicien qualifié ou à une entreprise de dépannage pour installer le réfrigérateur.
 - Le non-respect de cette consigne risque d'entraîner un dysfonctionnement, un choc électrique, un incendie, une explosion ou des blessures corporelles.
- Si vous surchargez l'une des portes, le réfrigérateur peut se renverser et vous pouvez vous blesser.

Mises en garde importantes concernant l'utilisation

AVERTISSEMENT

- Ne branchez pas la prise d'alimentation si vous avez les mains mouillées.
 - Cela pourrait causer un choc électrique.
- N'entreposez pas d'objets sur le dessus de l'appareil.
 - Lors de l'ouverture ou de la fermeture de la porte, les objets pourraient tomber et provoquer des blessures corporelles et/ou des dommages matériels.
- Ne placez pas vos mains, vos pieds, ni des objets métalliques (baguettes métalliques, etc.) sous le réfrigérateur ou à l'arrière de celui-ci.
 - Un choc électrique ou des blessures corporelles pourraient en résulter.
 - Les bords coupants sont susceptibles de provoquer des blessures corporelles.
- Ne touchez pas les parois intérieures du congélateur ni les produits qui y sont rangés si vous avez les mains mouillées.
 - Risque de gelures.
- Ne placez pas de récipient rempli d'eau sur le réfrigérateur.
 - En cas de renversement, cela pourrait entraîner un incendie ou un choc électrique.
- Ne stockez pas d'objets ou de substances volatiles ou inflammables (benzène, diluant, propane, alcool, éther, gaz liquéfié et toute autre substance similaire) dans le réfrigérateur.
 - Le réfrigérateur a été conçu exclusivement pour le rangement de produits alimentaires.
 - Cela pourrait entraîner un incendie ou une explosion.
- Il est nécessaire de surveiller les enfants pour s'assurer qu'ils ne jouent pas avec l'appareil.
 - Maintenez les doigts éloignés des zones contenant des « points de pincement ». Le jeu entre les portes et l'armoire doit nécessairement être faible. Soyez attentif lorsque vous ouvrez les portes si des enfants se trouvent à proximité.



Consignes de sécurité

- Ne laissez pas les enfants se suspendre à la porte de l'appareil ou aux bacs des portes. Ils risqueraient de se blesser.
- Ne laissez pas les enfants entrer dans le réfrigérateur. Ils risqueraient de rester emprisonnés.
- Ne placez pas vos mains sous l'appareil.
 - Les bords coupants sont susceptibles de provoquer des blessures corporelles.
- Ne rangez pas de produits pharmaceutiques, chimiques ou sensibles aux températures dans le réfrigérateur.
 - Les produits nécessitant un contrôle strict de la température ne doivent pas être entreposés dans le réfrigérateur.
- Ne placez pas et n'utilisez pas d'appareils électriques à l'intérieur du réfrigérateur/congélateur sauf s'il s'agit d'un type recommandé par le fabricant.
- Si vous sentez de la fumée, débranchez immédiatement la fiche d'alimentation puis communiquez avec un centre de service Dacor.
- Si de grandes quantités de poussière ou d'eau entrent dans le réfrigérateur, débranchez la fiche et prenez contact avec votre centre de service Dacor.
 - À défaut, il existe un risque d'incendie.
- Ne laissez pas les enfants monter sur un bac.
 - Le bac risquerait de se casser et de provoquer leur chute.
- Ne laissez pas les portes du réfrigérateur ouvertes lorsque l'appareil n'est pas sous surveillance et ne laissez pas les enfants se glisser à l'intérieur de l'appareil.
- Ne laissez pas les bébés ou jeunes enfants monter dans un tiroir.
 - Ils pourraient s'étouffer ou se blesser.
- Ne remplissez pas trop le réfrigérateur.
 - Lors de l'ouverture de la porte, un article pourrait tomber et provoquer des blessures corporelles ou des dommages matériels.
- Ne vaporisez pas de substance volatile telle qu'un insecticide sur la surface de l'appareil.
 - Ces produits peuvent s'avérer dangereux pour la santé et risquent en outre de provoquer un choc électrique, un incendie ou un dysfonctionnement de l'appareil.
- Ne mettez jamais les doigts ni d'objets dans la sortie du distributeur d'eau, le conduit d'écoulement ou le bac à glaçons.
 - Cela pourrait provoquer des blessures corporelles ou des dommages matériels.
- N'utilisez pas ni n'entrez pas de substances thermosensibles (ex. : pulvérisateurs ou objets inflammables, glace sèche, médicaments ou produits chimiques) à proximité ou à l'intérieur du réfrigérateur.
- N'utilisez pas de séchoir à cheveux pour sécher l'intérieur du réfrigérateur. Ne placez pas de bougie allumée à l'intérieur du réfrigérateur pour en éliminer les mauvaises odeurs.
 - Un choc électrique ou un incendie pourraient en résulter.



- Remplissez le réservoir et le bac à glaçons d'eau potable uniquement (eau du robinet, eau minérale ou eau purifiée).
 - Ne remplissez pas le réservoir avec du thé, du jus ou une boisson énergisante. Cela pourrait endommager le réfrigérateur.
- Ne montez pas sur l'appareil et ne placez pas d'objets (tels que du linge, des bougies allumées, des cigarettes allumées, de la vaisselle, des produits chimiques, des objets métalliques, etc.) sur celui-ci. Le non-respect de cette consigne risque d'entraîner un choc électrique, un incendie, un dysfonctionnement de l'appareil ou des blessures corporelles. Ne placez pas de récipient rempli d'eau sur l'appareil.
 - En cas de renversement, cela pourrait entraîner un incendie ou un choc électrique.
- Ne fixez jamais directement l'ampoule DEL UV pendant une période prolongée.
 - Cela risquerait d'entraîner une fatigue oculaire due aux rayons ultraviolets.
- Ne placez pas les tablettes dans le réfrigérateur à l'envers. La butée des tablettes ne fonctionnera pas.
 - La tablette en verre pourrait tomber et provoquer des blessures corporelles.
- Si une fuite de gaz est détectée, évitez toute flamme nue ou source potentielle d'inflammation et aérez pendant plusieurs minutes la pièce dans laquelle se trouve l'appareil.
 - Ne touchez pas à l'appareil ou au cordon d'alimentation.
 - N'utilisez pas de ventilateur.
 - Une étincelle risquerait de provoquer une explosion ou un incendie.
- Utilisez uniquement les ampoules DEL fournies par le fabricant ou son réparateur autorisé.
- Serrez les bouteilles les unes contre les autres pour éviter qu'elles ne glissent ou ne tombent.
- Cet appareil est destiné au rangement des aliments dans un environnement domestique uniquement.
- Ne tentez pas de réparer, démonter ou modifier le réfrigérateur vous-même.
 - Des modifications non autorisées peuvent générer des problèmes de sécurité. Pour annuler une modification non autorisée, nous facturons le coût total des pièces et de la main d'œuvre.
- N'utilisez aucun fusible (tel que du cuivre, un fil d'acier, etc.) autre qu'un fusible standard.
- Si votre réfrigérateur doit être réparé ou réinstallé, communiquez avec votre centre de service Dacor le plus proche.
 - Le non-respect de cette consigne risque d'entraîner un dysfonctionnement, un choc électrique, un incendie ou des blessures corporelles.
- Veuillez contacter votre centre de service Dacor le plus proche lorsque l'ampoule DEL intérieure ou extérieure est grillée.
- Si le réfrigérateur dégage une odeur de brûlé ou de la fumée, débranchez-le immédiatement et prenez contact avec un centre de service Dacor.
 - Le non-respect de cette consigne risquerait de provoquer un incendie ou un choc électrique.
- Débranchez le réfrigérateur avant de remplacer les ampoules intérieures.
 - Sinon, il pourrait y avoir un risque de choc électrique.



Consignes de sécurité

- Communiquez avec votre centre de service Dacor si vous éprouvez des difficultés à remplacer une ampoule (qui n'est pas une DEL).
- Si l'appareil est équipé d'ampoules DEL, ne démontez pas vous-même les caches des lampes et les ampoules.
 - Contactez un centre de service Dacor.
- Branchez fermement la fiche dans la prise murale.
- N'utilisez pas de fiche d'alimentation endommagée, de cordon d'alimentation endommagé ou de prise murale mal fixée.
 - Un choc électrique ou un incendie pourraient en résulter.

Mises en garde concernant l'utilisation

ATTENTION

- Ne recongelez pas un aliment qui a complètement décongelé. Ne placez pas de boissons gazeuses dans le compartiment congélateur. Ne mettez pas de bouteilles ou de récipients en verre dans le congélateur.
 - Si le contenu gèle, le verre est susceptible de se briser et de provoquer des blessures corporelles.
- Utilisez uniquement la machine à glaçons fournie avec le réfrigérateur.
- Pour un fonctionnement optimal de l'appareil :
 - Ne placez pas d'aliments trop près des orifices de ventilation à l'arrière du réfrigérateur car ils pourraient empêcher la libre circulation de l'air dans la partie réfrigération.
 - Emballez bien les aliments ou mettez-les dans des récipients hermétiques avant de les placer dans le réfrigérateur.
 - Respectez les durées de congélation et les dates de péremption associées aux aliments surgelés.
- Ne placez pas de récipients ou de bouteilles en verre ni de boissons gazeuses dans le congélateur.
 - Le récipient peut geler et se briser, ce qui peut entraîner une blessure.
- Garantie de réparation et modification.
 - Les changements et modifications apportés à cet appareil par un tiers ne sont pas couverts par le service de garantie Dacor. Dacor ne peut être tenue responsable des problèmes de sécurité résultant des modifications apportées par un tiers.
- N'obstruez pas les orifices de ventilation à l'intérieur du réfrigérateur.
 - Si les ventilations d'air sont obstruées, notamment par un sac en plastique, le réfrigérateur risque de trop refroidir.
- Si le réfrigérateur est débranché de la prise d'alimentation, patientez au moins cinq minutes avant de le rebrancher.
- Si de grandes quantités d'eau entrent dans le réfrigérateur, débranchez la fiche d'alimentation et prenez contact avec un centre de service Dacor.



- Ne frappez pas une surface en verre ou n'y appliquez pas une force excessive.
 - Du verre brisé pourrait entraîner des blessures corporelles et/ou des dommages.
- Remplissez le réservoir et le bac à glaçons d'eau potable uniquement (eau du robinet, eau minérale ou eau purifiée).
 - Ne remplissez pas le réservoir avec du thé, du jus ou une boisson énergisante. Cela pourrait endommager le réfrigérateur.
- Si le réfrigérateur est inondé, coupez l'alimentation de ce dernier et prenez contact avec votre centre de service Dacor le plus proche.
 - Un choc électrique ou un incendie pourraient en résulter.
- Ne conservez pas d'huile végétale dans les bacs de la porte de votre réfrigérateur. L'huile risque de se solidifier, de prendre un goût infect et de devenir difficile à utiliser. De plus, le récipient ouvert peut fuir et l'huile qui a coulé risque de faire fissurer le bac de la porte. Après avoir ouvert un récipient d'huile, le mieux est de le conserver dans un endroit frais et à l'abri de la lumière, comme un placard ou un cellier.
 - Exemples d'huile végétale : huile d'olive, huile de maïs, huile de pépins de raisin, etc.

Mises en garde concernant le nettoyage

ATTENTION

- Ne vaporisez pas directement de l'eau à l'intérieur ou à l'extérieur du réfrigérateur.
 - Risque d'incendie ou de choc électrique.
- N'utilisez pas de séchoir à cheveux pour sécher l'intérieur du réfrigérateur.
- Ne placez pas de bougie allumée à l'intérieur du réfrigérateur pour en éliminer les mauvaises odeurs.
 - Un choc électrique ou un incendie pourraient en résulter.
- Ne vaporisez pas de produit de nettoyage directement sur l'écran.
 - Les caractères imprimés risqueraient de s'effacer.
- Si un corps étranger tel que de l'eau a pénétré dans l'appareil, débranchez la fiche d'alimentation et communiquez avec votre centre de service Dacor le plus proche.
 - Le non-respect de cette consigne risquerait de provoquer un incendie ou un choc électrique.
- Utilisez un chiffon propre et sec pour éliminer toute poussière ou corps étranger des lames de la fiche d'alimentation. N'utilisez pas de chiffon mouillé ou humide lors du nettoyage de la prise.
 - Sinon, il pourrait y avoir un risque d'incendie ou de choc électrique.
- Ne nettoyez pas l'appareil en vaporisant de l'eau directement sur celui-ci.
- N'utilisez pas de benzène, de diluant ou d'eau de Javel (Clorox) pour le nettoyage du réfrigérateur.
 - Ces produits risquent d'endommager la surface de l'appareil et de provoquer un incendie.
- Ne mettez jamais les doigts ni d'objets dans la sortie du distributeur.
 - Cela peut provoquer des blessures corporelles ou des dommages matériels.

Consignes de sécurité

- Débranchez l'appareil de la prise murale avant de le nettoyer et d'en faire l'entretien.
 - Le non-respect de cette consigne risquerait de provoquer un incendie ou un choc électrique.
- Utilisez une éponge propre ou un chiffon doux avec un nettoyant doux et de l'eau tiède pour nettoyer le réfrigérateur.
- N'utilisez pas de nettoyants abrasifs ou agressifs (produits à vitres, produits de décapage, liquides inflammables, acide chlorhydrique, cires nettoyantes, produits de nettoyage concentrés, agents de blanchissage ou produits de nettoyage contenant du pétrole) sur les surfaces extérieures (portes et meuble), les pièces en plastique, les revêtements intérieurs et de la porte, et les joints.
 - Ces produits risquent de rayer ou d'endommager le matériau.
- Ne nettoyez pas les clayettes en verre ou les caches avec de l'eau tiède lorsqu'ils sont froids. Les clayettes en verre et les caches risquent de se casser s'ils sont exposés à des changements soudains de température ou à des chocs (coups ou chutes).

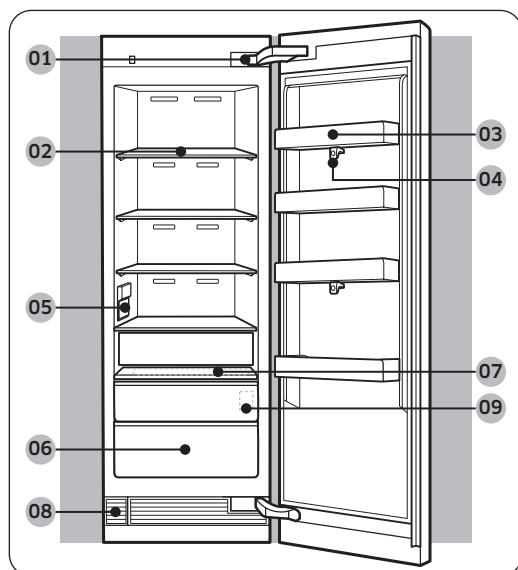
Mises en garde importantes concernant la mise au rebut

AVERTISSEMENT

- Les enfants qui se retrouvent coincés à l'intérieur peuvent se blesser ou suffoquer et en mourir.
- Jetez le matériel d'emballage de cet appareil dans le respect de l'environnement.
- Assurez-vous qu'aucun des tuyaux situés à l'arrière du réfrigérateur n'est endommagé avant sa mise au rebut.
- Cet appareil contient du R-600a, un gaz inflammable utilisé comme réfrigérant. Pour obtenir des renseignements sur la mise au rebut en toute sécurité de cet appareil, veuillez prendre contact avec les autorités locales.
- Lors de la mise au rebut de ce réfrigérateur, retirez la porte/les joints de porte ainsi que le loquet de la porte afin que des petits enfants ou des animaux ne puissent pas se retrouver enfermés à l'intérieur. Il est nécessaire de surveiller les enfants pour s'assurer qu'ils ne jouent pas avec l'appareil.
 - S'il se retrouve emprisonné à l'intérieur, l'enfant risquerait de se blesser ou de s'asphyxier.
- Du cyclopentane est utilisé comme isolant. Les gaz utilisés pour l'isolation nécessitent une procédure d'élimination spéciale. Pour obtenir des renseignements sur la façon écologique de mettre cet appareil au rebut, veuillez prendre contact avec les autorités locales.
- Conservez les matériaux d'emballage hors de portée des enfants, car ils présentent un danger pour ces derniers.
 - Un enfant pourrait suffoquer s'il met sa tête dans un sac.

Pièces incluses

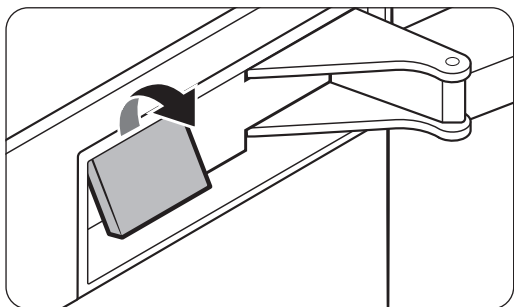
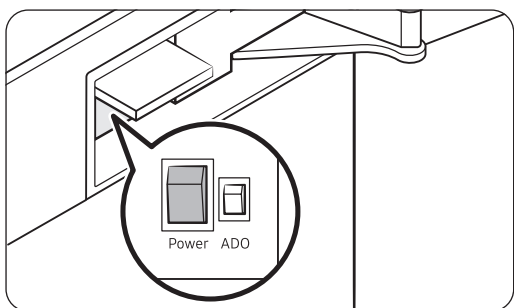
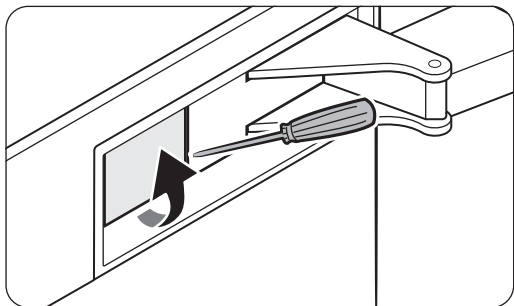
Pièces internes, stockage et rayonnage



- 01 Commutateur d'alimentation, Commutateur d'ouverture automatique de la porte
- 02 Clayettes
- 03 Bacs de la porte
- 04 Appareil photo
- 05 Distributeur d'eau
- 06 Zone fraîche
- 07 Panneau de commande
- 08 (Couvercle du) filtre à eau
- 09 Numéro de série (sur la paroi du tiroir)

Pièces incluses

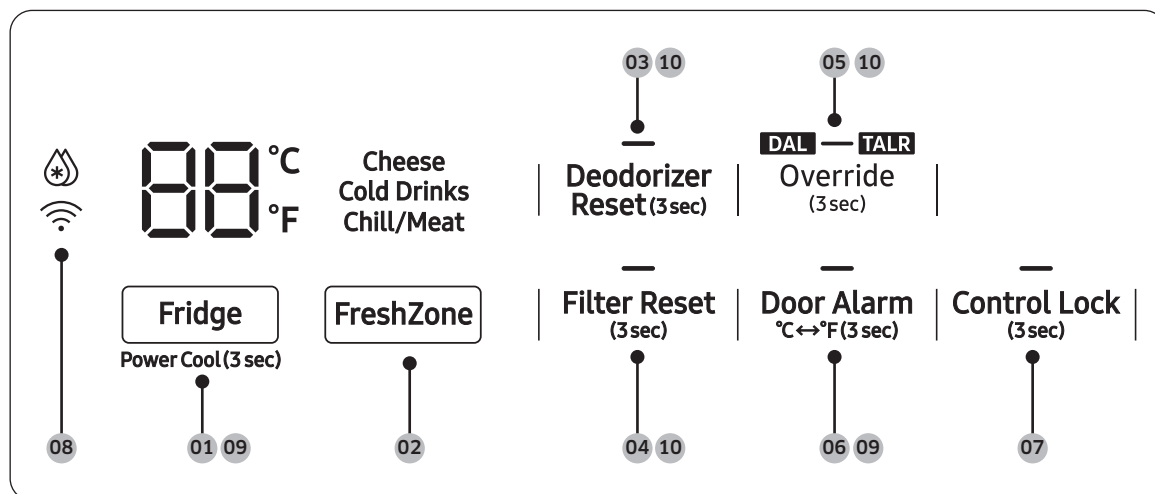
Boîte de distribution



- Utilisez un tournevis à tête plate pour ouvrir le cache de la boîte de distribution.
- Celui en noir est le commutateur d'alimentation ; le commutateur d'ouverture automatique de la porte est celui en rouge situé à côté.
- Fermez le cache de la boîte de distribution.

Opérations

Panneau de commande



01 Fridge (Réfrigérateur) /
Power Cool (Refroidissement rapide)

03 Deodorizer Reset (Réinitialisation du
désodorisant)

05 Override

07 Control Lock (Verrouillage de commande)

09 Mode Sabbat

02 FreshZone (Zone fraîche)

04 Filter Reset (Réinitialisation du filtre)

06 Door Alarm (Alarme de la porte) / °C ↔ °F

08 Connexion au réseau



10 Sans refroidissement

REMARQUE

- Lorsque vous changez la température sur le panneau, le panneau affiche la température réelle à l'intérieur du réfrigérateur jusqu'à ce que la température corresponde à la température que vous avez réglée. Ensuite, le panneau affiche la nouvelle température réglée. Notez que cela prendra du temps au réfrigérateur pour atteindre la nouvelle température. Ceci est tout à fait normal. Durant cette période, vous n'avez pas besoin de régler la température à nouveau.
- Si aucun bouton n'est actionné pendant 10 secondes après la désactivation de Verrouillage de commande, l'écran s'éteindra, sauf le bouton Verrouillage de commande. Pour allumer l'écran, appuyez sur le bouton **Control Lock (Verrouillage de commande)**.
- Si le panneau de commande présente de l'humidité et du liquide sur sa surface, il risque de dysfonctionner. Essayez l'humidité ou le liquide à l'aide d'un chiffon sec puis réessayez.

Opérations

01 Réfrigérateur / Refroidissement rapide (3 s)

Fridge (Réfrigérateur)	<p>Le bouton Fridge (Réfrigérateur) permet de régler la température du réfrigérateur ou d'activer/désactiver la fonction Refroidissement rapide. Vous pouvez ajuster manuellement la température de refroidissement pour le réfrigérateur.</p> <p>Le voyant de température vous informe de la température actuellement réglée ou sélectionnée. Maintenez le bouton Fridge (Réfrigérateur) enfoncé pour sélectionner la température de votre choix comprise entre 34 °F (1 °C) et 44 °F (7 °C).</p>
Power Cool (Refroidissement rapide)	<p>La fonction Refroidissement rapide accélère le processus de refroidissement (ventilateur à vitesse maximale). Le réfrigérateur fonctionne à vitesse maximale durant plusieurs heures avant de revenir à la température précédente.</p> <ul style="list-style-type: none">• Pour activer la fonction Refroidissement rapide, appuyez sur le bouton Fridge (Réfrigérateur) pendant 3 secondes. Le voyant correspondant () s'allume et le réfrigérateur accélérera le processus de refroidissement pour vous.• Pour désactiver la fonction Refroidissement rapide, appuyez sur le bouton Fridge (Réfrigérateur) en le maintenant enfoncé pendant 3 secondes. Le réfrigérateur revient au réglage de température précédent. <p> REMARQUE</p> <p>L'utilisation de la fonction Refroidissement rapide augmente la consommation électrique. Assurez-vous de l'éteindre pour revenir à la température précédente si vous n'avez pas l'intention d'utiliser cette fonction.</p>

02 Zone fraîche

La Zone fraîche est un tiroir pleine largeur doté d'un système de contrôle de la température. Une sonde thermique permet de régler la quantité d'air froid envoyée dans cette zone.

- Appuyez plusieurs fois sur le bouton **FreshZone (Zone fraîche)** pour sélectionner le mode souhaité. Le mode Fromage est sélectionné par défaut.
- Le réfrigérateur ajuste la température de la Zone fraîche selon le mode sélectionné.

Mode	Description	Exemples
Cheese (Fromage)	Permet de garder des aliments au frais plus longtemps. La température de la Zone fraîche sera maintenue à 37 °F (3 °C).	Ananas, citron, biscuits, pommes de terre, fromage
Cold Drinks (Boissons fraîches)	Permet de garder des boissons au frais. La température de la Zone fraîche sera maintenue à 33 °F (1 °C).	Eau en bouteille, jus, sodas, bière
Chill/Meat (Réfrigération/Viande)	Permet de conserver la viande ou le poisson au frais plus longtemps. La température de la Zone fraîche sera maintenue à 29 °F (-1 °C).	Steak, charcuterie, bacon, saucisse à hot-dog

ATTENTION


- N'utilisez pas la FreshZone pour conserver des fruits ou des légumes feuillus. Ils risqueraient de s'abîmer en raison du froid.
- Ne placez pas de bouteilles en verre dans la FreshZone (Zone fraîche) en mode Chill/Meat (Réfrigération/Viande). Elles risqueraient d'éclater et de vous blesser.

Opérations

03 Réinitialisation du désodorisant (3 s)

Deodorizer Reset (Réinitialisation du désodorisant)	Après environ 18 mois d'utilisation du filtre d'origine du désodorisant, le voyant Filtre clignote en rouge pour vous rappeler que le filtre doit être remplacé. Si tel est le cas, remplacez le filtre puis maintenez le bouton Deodorizer Reset (Réinitialisation du désodorisant) enfoncé pendant 3 secondes. Le cycle de vie du filtre est réinitialisé et le voyant Filtre s'éteint.
---	--

04 Réinitialisation du filtre (3 s)

Filter Reset (Réinitialisation du filtre)	<p>Après environ 6 mois d'utilisation du filtre à eau d'origine (qui traite généralement environ 300 gallons (1136 litres) d'eau), le voyant Filter (Filtre) clignote en rouge pour vous rappeler de remplacer le filtre.</p> <p>Si tel est le cas, remplacez le filtre puis maintenez le bouton Filter Reset (Réinitialisation du filtre) enfoncé pendant 3 secondes. Cette opération permet de réinitialiser le détecteur de cycle de vie du filtre et d'éteindre le voyant Filtre.</p> <p> REMARQUE</p> <ul style="list-style-type: none">• L'eau de certaines régions a une teneur relativement importante en calcaire. Cela peut réduire le cycle de vie du filtre. Dans ces régions, vous devrez remplacer le filtre à eau plus fréquemment que l'intervalle indiqué ci-dessus.• Si l'eau ne se verse pas correctement, le filtre à eau est très probablement bouché. Même si l'indicateur du filtre ne clignote pas, remplacez le filtre à eau.
---	---

05 Override (3 s)

Override	<p>La fonction Override active/désactive la fonction Smart Grid (Réponse à la demande).</p> <p>Appuyez sur le bouton Override pendant 3 secondes pour activer ou désactiver la fonction Override.</p>
----------	--

06 Alarme de la porte / °C ↔ °F (3 s)

Door Alarm (Alarme de la porte)	Vous pouvez activer ou désactiver l'alarme de la porte en appuyant sur le bouton Door Alarm (Alarme de la porte) . Lorsque la fonction Alarme de la porte est activée et si la porte est laissée ouverte pendant plus de 2 minutes, l'alarme retentit et le voyant d'alarme clignote. La fonction Alarme de la porte est activée par défaut en usine.
°C ↔ °F	Vous pouvez utiliser le bouton Door Alarm (Alarme de la porte) pour alterner d'échelle de température entre Celsius et Fahrenheit. Pour alterner l'échelle de température, maintenez le bouton Door Alarm (Alarme de la porte) enfoncé pendant 3 secondes.

07 Verrouillage de commande (3 s)

Control Lock (Verrouillage de commande)	Pour éviter tout changement accidentel de paramètres, maintenez le bouton Control Lock (Verrouillage de commande) enfoncé pendant 3 secondes. Le panneau principal est désactivé et le voyant de verrouillage (—) s'allume. Si vous appuyez sur ce bouton en le maintenant enfoncé pendant plus de 3 secondes, la fonction Verrouillage de commande sera désactivée. Toutefois, la fonction Verrouillage de commande se réactive si aucun bouton n'est actionné dans la minute qui suit.
Authentification du périphérique	Pour authentifier votre appareil, maintenez le bouton Control Lock (Verrouillage de commande) enfoncé pendant 5 secondes. L'appareil émet un signal sonore et affiche le message « on » sur l'écran de température pendant 5 secondes. Les appareils autorisés peuvent être utilisés avec les applications pour Samsung Smart TV, dans lesquelles les informations de la vie privée sur le réfrigérateur peuvent être partagées sur le téléviseur. La disponibilité de cette fonction dépend du modèle de l'appareil.

Opérations

08 Connexion au réseau

Vous pouvez contrôler et surveiller votre réfrigérateur via l'application SmartThings. Pour plus d'informations, reportez-vous à la section SmartThings.

REMARQUE

- Les systèmes de codage recommandés incluent WPA/TKIP et WPA2/AES. Tous les protocoles d'authentification pour connexion Wi-Fi plus récents ou non standardisés ne sont pas pris en charge.
- Les réseaux sans fil peuvent être affectés par l'environnement de communication sans fil autour.
- Si votre fournisseur de services Internet a enregistré l'adresse MAC de votre ordinateur ou de votre modem à des fins d'identification, il est possible que votre réfrigérateur intelligent Dacor ne parvienne pas à se connecter à Internet. Si tel est le cas, prenez contact avec votre fournisseur de services Internet pour bénéficier d'une assistance technique.
- Les paramètres du pare-feu de votre système de réseau peuvent empêcher votre réfrigérateur intelligent Dacor d'accéder à Internet. Prenez contact avec votre fournisseur de services Internet pour bénéficier d'une assistance technique. Si ce symptôme persiste, prenez contact avec un centre de service ou un détaillant Dacor local.
- Pour configurer les paramètres du point d'accès sans fil, reportez-vous au manuel d'utilisation du point d'accès.
- Les réfrigérateurs intelligents Dacor prennent en charge la connexion Wi-Fi 2,4 GHz avec IEEE 802.11 b/g/n, ainsi que les protocoles Soft-AP (IEEE 802.11 n est recommandé).
- Les routeurs Wi-Fi sans fil non autorisés peuvent ne pas parvenir à se connecter aux réfrigérateurs intelligents Dacor applicables.

09 Mode Sabbat

Le mode Sabbat reste actif durant les 85 heures suivant son activation. Passé ce délai, il sera automatiquement désactivé.

- Pour activer le mode Sabbat, appuyez simultanément sur les boutons **Fridge (Réfrigérateur)** et **Door Alarm (Alarme de la porte)** pendant 5 secondes. Le réfrigérateur passe ensuite en mode Sabbat dans lequel les boutons, l'écran et les voyants des compartiments sont tous sous contrôle.
- Pour désactiver le mode Sabbat, appuyez sur ces boutons en les maintenant enfoncés pendant 5 secondes.

REMARQUE

- Si le voyant Verrouillage de commande s'allume, vous devez d'abord désactiver la fonction Verrouillage de commande.
- Même après le redémarrage du réfrigérateur, le mode Sabbat reste actif. Vous devez d'abord le désactiver.
- Si deux réfrigérateurs sont installés en tant que paire, vous devez régler ou changer les réglages respectifs du mode Sabbat pour chaque réfrigérateur.

10 Sans refroidissement

Le mode Sans refroidissement (également appelé mode Démo) est destiné aux vendeurs qui mettent les réfrigérateurs en démonstration dans leur magasin.

En mode Sans refroidissement, seuls le moteur du ventilateur et les voyants fonctionnent normalement ; les compresseurs sont désactivés pour que le réfrigérateur ne produise pas de froid.

- Pour passer en mode Sans refroidissement, maintenez les boutons **Deodorizer Reset (Réinitialisation du désodorisant)**, **Filter Reset (Réinitialisation du filtre)** et **Override** simultanément enfoncés pendant 5 secondes. Le réfrigérateur émet un signal sonore et le message « oF » apparaît sur l'écran de la température.
- Pour quitter le mode Sans refroidissement, maintenez à nouveau les boutons **Deodorizer Reset (Réinitialisation du désodorisant)**, **Filter Reset (Réinitialisation du filtre)** et **Override** simultanément enfoncés pendant 5 secondes. Le réfrigérateur émet un signal sonore et la température actuelle apparaît sur l'écran de la température.

REMARQUE

Si le voyant Verrouillage de commande s'allume, vous devez d'abord désactiver la fonction Verrouillage de commande.

Opérations

SmartThings

Installation

Rendez-vous sur Google Play Store, Galaxy Store ou Apple App Store et recherchez « SmartThings ». Téléchargez et installez l'application SmartThings fournie par Samsung Electronics sur votre appareil intelligent.

REMARQUE

- La version du logiciel de soutien de l'application SmartThings est soumise à modifications en fonction de la politique de prise en charge du système d'exploitation fournie par le fabricant. En outre, comme pour l'application SmartThings ou les fonctions prises en charge par l'application, la nouvelle politique de mise à jour de l'application sur la version existante du système d'exploitation est susceptible d'être suspendue pour des raisons d'utilité ou de sécurité.
- L'application SmartThings est soumise à modification sans préavis pour en améliorer l'utilisation ou les performances. Étant donné que la version du système d'exploitation du téléphone portable est mise à jour chaque année, l'application SmartThings est également mise à jour en permanence en fonction du dernier système d'exploitation. Pour toute question concernant les éléments mentionnés ci-dessus, veuillez communiquer avec nous à l'adresse st.service@samsung.com
- Les protocoles de cryptage recommandés incluent WPA/TKIP et WPA2/AES. Tout protocole d'authentification Wi-Fi plus récent ou non standard n'est pas pris en charge.
- De plus, les mises à jour ultérieures effectuées sur l'application ou une fonction de l'application peuvent s'interrompre pour des raisons de facilité d'utilisation et de sécurité, même si les mises à jour sont actuellement prises en charge sur votre système d'exploitation.
- Les réseaux sans fil peuvent être affectés par l'environnement de communication sans fil autour.
- Si votre fournisseur de services Internet a enregistré l'adresse MAC de votre ordinateur ou de votre modem à des fins d'identification, il est possible que votre réfrigérateur intelligent Dacor ne parvienne pas à se connecter à Internet. Si tel est le cas, prenez contact avec votre fournisseur de services Internet pour bénéficier d'une assistance technique.
- Les réglages du pare-feu de votre système de réseau peuvent empêcher votre réfrigérateur intelligent Dacor d'accéder à Internet. Prenez contact avec votre fournisseur de services Internet pour bénéficier d'une assistance technique. Si ce symptôme persiste, prenez contact avec un détaillant ou un centre de service Dacor local.
- Pour configurer les réglages du point d'accès (PA) sans fil, reportez-vous au manuel d'utilisation du point d'accès (routeur).
- Les réfrigérateurs intelligents Dacor prennent en charge les protocoles IEEE 802.11 b/g/n (2,4 GHz) et 802.11 a/n/ac (5 GHz). (Les protocoles IEEE 802.11 n et 802.11 ac sont recommandés.)
- Les routeurs Wi-Fi sans fil non autorisés peuvent ne pas parvenir à se connecter aux réfrigérateurs intelligents Dacor applicables.



Compte Samsung

Vous devez créer votre compte Samsung pour pouvoir utiliser l'application. Si vous n'avez pas de compte Samsung, suivez les instructions de l'application affichées à l'écran pour créer un compte Samsung gratuit.

Pour commencer

Allumez l'appareil que vous souhaitez connecter, ouvrez l'application SmartThings sur votre téléphone, puis suivez les instructions ci-dessous.

Si une fenêtre contextuelle apparaît en indiquant qu'un nouvel appareil a été détecté, appuyez doucement sur **ADD NOW (AJOUTER MAINTENANT)**.

En l'absence de fenêtre contextuelle, appuyez doucement sur le bouton + puis sélectionnez l'appareil que vous souhaitez connecter dans la liste des appareils disponibles.

Si votre appareil ne figure pas dans la liste des appareils disponibles, appuyez doucement sur **Supported Devices (Appareils pris en charge)**, sélectionnez le type d'appareil (Réfrigérateur), puis sélectionnez le modèle d'appareil spécifique.

Suivez les instructions affichées sur l'application pour configurer votre appareil. Une fois la configuration terminée, votre réfrigérateur apparaît sous forme de « carte » sur votre écran **Devices (Appareils)**.

Application Réfrigérateur

Commande intégrée

Vous pouvez surveiller et contrôler votre réfrigérateur chez vous, de même qu'en déplacement.

- Appuyez doucement sur l'icône du réfrigérateur sur le tableau de bord SmartThings ou appuyez doucement sur l'icône Appareils en bas du tableau de bord, puis appuyez doucement sur la « carte » du réfrigérateur pour ouvrir la page Réfrigérateur.
- Vérifiez l'état de fonctionnement ou les notifications relatives à votre réfrigérateur et modifiez des options ou des réglages si nécessaire.

REMARQUE

Certaines options ou certains réglages du réfrigérateur peuvent ne pas être disponibles pour la commande à distance.



Opérations

Catégorie	Élément	Description
Surveillance	Température du réfrigérateur	Affiche le réglage actuel de la température du réfrigérateur.
	Réglages de la Zone fraîche	Affiche les réglages de la Zone fraîche.
	Auto-vérification	Détecte les dysfonctionnements du réfrigérateur.
	Surveillance de l'énergie	Vérifie la consommation d'énergie cumulée du réfrigérateur au cours des 180 derniers jours.
Fonctions	Refroidissement rapide	Vous pouvez activer ou désactiver la fonction Refroidissement rapide et vérifier les paramètres actuels.
Alarmes	Température anormalement élevée	Cette alarme se déclenche lorsque le réfrigérateur présente une température anormalement élevée.
	Ouverture de la porte	Cette alarme se déclenche si la porte du réfrigérateur est laissée ouverte pendant une durée spécifique.
	Remplacer le filtre du désodorisant (modèles applicables uniquement)	Cette alarme vous rappelle que le filtre du désodorisant doit être remplacé.
	Remplacement du filtre à eau	Cette alarme vous rappelle que le filtre à eau doit être remplacé.
Affichage à distance		Vous pouvez observer la partie interne du réfrigérateur et utiliser différentes étiquettes pour enregistrer des périodes de conservation spécifiques pour mieux gérer les aliments.

Fonction SMART GRID (Réponse à la demande)

Lorsque le réfrigérateur fonctionne en mode SMART GRID (Réponse à la demande), la fonction Energy Management Refrigerator (Réfrigérateur Gestion de l'énergie) permet de contrôler la consommation d'énergie ou de repousser le départ de certaines fonctions pour des raisons économiques (heures pleines).

REMARQUE

- Vous pouvez désactiver la fonction SMART GRID (Réponse à la demande) à tout moment à l'aide de la fonction Activation/Désactivation Override.
- Pour utiliser la fonction SMART GRID (Réponse à la demande), vous devez avoir un contrat séparé avec votre fournisseur d'électricité.

De plus, pour utiliser la fonction Smart Grid (Réponse à la demande), vous devez souscrire au service auprès de votre fournisseur d'électricité. Celui-ci doit disposer d'un système de gestion de l'énergie (EMS, Energy Management System) prenant en charge les profils SEP (Smart Energy profile).

Utilisation de la fonction SMART GRID (réponse à la demande)

Cette fonctionnalité surveille les informations de prix et de demande d'énergie de votre fournisseur et envoie des notifications au réfrigérateur pour effectuer les tâches fortement consommatrices en énergie pendant les périodes creuses où les coûts et la demande d'électricité sont plus faibles.

Si le réfrigérateur reçoit un signal de commande de la part du fournisseur d'électricité, le réfrigérateur affiche les niveaux **DAL** (niveau 3) ~ **TALR** (niveau 4) sur l'écran du réfrigérateur et contrôle la consommation d'énergie selon le niveau.

[Condition d'exception] Les signaux de contrôle de niveau **DAL** et **TALR** reçus de la part d'un fournisseur d'électricité fonctionnent tant que les performances de l'appareil sont maintenues.

Si le réfrigérateur reçoit le signal SMART GRID (Réponse à la demande) (**DAL** ou **TALR**), il fonctionne en mode Delay Appliance Load (Charge différée de l'appareil) (Écran : l'icône « **DAL** » s'allume) ou en mode Temporary Appliance Load Reduction (Réduction temporaire de la charge de l'appareil) (Écran : l'icône « **TALR** » s'allume).

- Charge différée de l'appareil (Niveau 3) : Le réfrigérateur répond à un signal **DAL** en fournissant une réduction modérée de la charge pendant la durée réglée. Cette fonction commande les fonctions qui consomment beaucoup d'énergie telles qu'ajuster le système de refroidissement, exécuter le cycle de dégivrage et produire de la glace.
 - Lorsque le réfrigérateur fonctionne en mode **DAL** (niveau 3), l'icône « **DAL** » s'allume sur l'écran du réfrigérateur.
 - Le mode **DAL** est désactivé automatiquement à la fin de la durée stipulée par le signal **DAL** (4,5 heures maximum), ou lorsque la touche Override est actionnée.



Opérations

- Réduction temporaire de la charge de l'appareil (niveau 4) : Le réfrigérateur répond à un signal **TALR** en fournissant une réduction important de la charge pendant une courte période. Cette fonction réduit la consommation d'énergie en arrêtant le compresseur et en contrôlant les fonctions qui consomment beaucoup d'énergie telles qu'exécuter le cycle de dégivrage et produire de la glace.
 - Lorsque le réfrigérateur fonctionne en mode **TALR** (niveau 4), l'icône « **TALR** » s'allume sur l'écran du réfrigérateur.
 - Le mode **TALR** (niveau 4) est désactivé automatiquement à la fin de la durée de réception (15 minutes maximum), ou lorsque la touche **Override** est actionnée. Le mode est immédiatement désactivé et le réfrigérateur revient à l'état normal lorsque la porte est ouverte ou fermée, ou lorsque le distributeur est utilisé.

Vérifier l'adresse MAC

1. Dans ce mode, l'adresse MAC apparaît sur le panneau de température de manière séquentielle pendant 1 minute.
Maintenez les deux boutons **Fridge (Réfrigérateur)** et **Filter Reset (Réinitialisation du filtre)** enfoncés pendant 6 secondes. L'écran de température clignote. Ensuite, appuyez sur le bouton **Control Lock (Verrouillage de commande)** pour afficher l'adresse MAC. Le réfrigérateur émet un signal sonore.
2. Par exemple, si l'adresse MAC est « 11-22-33-44-55-66 », le panneau de température affiche l'adresse pendant 1 minute dans cet ordre : « -- » → « 11 » → « 22 » → « 33 » → « 44 » → « 55 » → « 66 » → « -- ».
Après 1 minute, l'adresse MAC disparaît et le panneau de température revient à l'état normal.

REMARQUE

Le panneau de température affiche « -- / -- » pour une adresse MAC inconnue ou si la connexion Wi-Fi n'est pas établie ou est perdue.

Mode Override

Lorsque vous souhaitez que le réfrigérateur ignore le signal SMART GRID (Réponse à la demande) de votre fournisseur d'électricité, vous pouvez activer le mode **OVERRIDE**.

Lorsque vous activez le mode **OVERRIDE**, le réfrigérateur ignore le signal SMART GRID (Réponse à la demande) et ne sera pas commandé par votre fournisseur d'électricité.

Activation et désactivation du mode Override

1. Maintenez le bouton **Override** enfoncé pendant 3 secondes.
2. L'appareil émet un signal sonore et affiche le message « **Or** » sur l'écran de température pendant 5 secondes. Le voyant **Override** (—) s'allume.
3. Si le réfrigérateur reçoit un signal SMART GRID (Réponse à la demande) de votre fournisseur d'électricité, « **Or** » s'affiche sur l'écran de température du réfrigérateur.
4. Pour désactiver le mode **OVERRIDE**, maintenez le bouton **Override** enfoncé pendant 3 secondes.
5. L'appareil émet un signal sonore et affiche le message « **Or** » sur l'écran de température pendant 5 secondes. Le voyant **Override** (—) s'éteint.



REMARQUE

- Sinon, vous pouvez activer ou désactiver le mode OVERRIDE à partir de l'application SmartThings et de la fonction Energy Management (Gestion de l'énergie). Consultez la page suivante.

Utilisation de la fonction Energy Management (Gestion de l'énergie)

La fonction Energy Management (Gestion de l'énergie) vous permet de contrôler et surveiller votre réfrigérateur Energy Management (Gestion de l'énergie) à l'aide de l'application SmartThings, à des fins de commodité.

REMARQUE

- Pour utiliser les fonctions du réfrigérateur Energy Management (Gestion de l'énergie), vous devez d'abord installer l'application correspondante.
1. État fonctionnel, réglages utilisateur et messages
 - Vous pouvez visualiser les réglages de température du réfrigérateur.
 - Vous pouvez recevoir une alerte lorsque la porte du réfrigérateur est ouverte depuis 2 minutes.
 - Vous pouvez vérifier les états DR et Override.
 2. Gestion à distance
 - Réglage de la fonction Refroidissement rapide : Vous pouvez activer à distance la fonction Refroidissement rapide.
 3. Rapport de consommation d'énergie
 - Il indique la consommation d'énergie cumulée. Les données de consommation d'énergie sont mises à jour toutes les 10 minutes.

REMARQUE

Le rapport de consommation d'énergie peut différer par rapport aux spécifications de consommation d'énergie de l'appareil, en fonction de l'environnement d'utilisation et des aliments stockés.

4. Fonction de dégivrage différé.
 - La fonction de dégivrage différé permet d'économiser de l'énergie en retardant l'opération de dégivrage à une heure spécifiée par l'utilisateur. Vous pouvez configurer l'heure et cette fonction permet d'économiser de l'énergie pendant la période spécifiée dans un cycle de 24 heures. Si l'heure n'est pas réglée, la fonction opère avec les réglages d'heure par défaut. Les réglages d'heure par défaut sont les suivants :
 - de 6 h à 10 h : du 1er novembre au 30 avril
 - de 15 h à 19 h : du 1er mai au 31 octobre

Changement du réglage de l'heure de la fonction de dégivrage différé

Vous pouvez changer le réglage de l'heure pour la fonction de dégivrage différé dans l'application.

Opérations

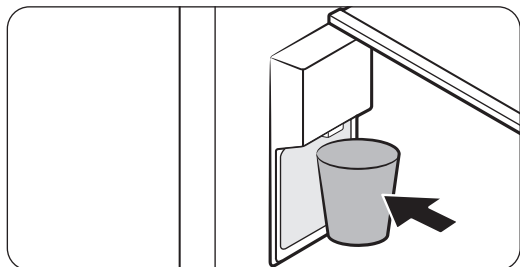
Disposition pour le libre accès aux exigences pour un produit connecté

1. Normes ouvertes du SGIP (Smart Energy Profile 2.0 - <http://www.csep.org/>)
 - Rapport de consommation d'énergie
 - Demand Response (Réponse à la demande)
2. INTERFACE API OUVERTE
 - État fonctionnel, réglages utilisateur et messages
 - État de la machine à glaçons : GET /devices/0/Fridge/iceMaker
 - Signal d'alarme de porte ouverte : GET /devices/0/Door/<<id>>/openState
 - État DR : GET /devices/0/drlc
 - Fonction de dégivrage différé.
 - Réglage de l'horaire de dégivrage différé : PUT /devices/0/fridge/<<id>>/DefrostReservation
 - Obtention de l'horaire de dégivrage différé : GET /devices/0/fridge/<<id>>/DefrostReservation
 - Suppression de l'horaire de dégivrage différé : DELETE /devices/0/fridge/<<id>>/DefrostReservation
 - Activation/Désactivation du dégivrage différé : PUT /devices/0/Fridge/delayDefrost

Fonctions spéciales

Distributeur d'eau

Vous pouvez vous servir en eau réfrigérée en toute facilité grâce au distributeur.



Pour faire couler de l'eau réfrigérée, placez un verre sur le levier du distributeur, puis pressez-le. De l'eau réfrigérée sortira du distributeur.

ATTENTION

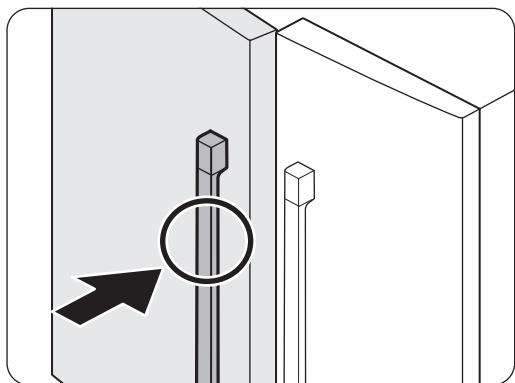
- Pour une première utilisation ou après avoir remplacé le filtre à eau, faites couler 3 gallons d'eau (pendant environ 6 minutes) pour retirer les impuretés de la conduite d'eau.
- Si vous quittez votre domicile ou partez en voyage pendant une période prolongée, coupez l'arrivée d'eau du réfrigérateur et fermez le robinet. Vous éviterez ainsi les risques de fuite.
- Utilisez uniquement les tuyaux neufs fournis avec l'appareil. Ne réutilisez pas d'anciens tuyaux.

REMARQUE

- Pour éviter les éclaboussures, attendez une seconde avant de retirer le verre une fois la distribution terminée. Le levier du distributeur retourne ensuite sur sa position initiale.
- Le distributeur arrêtera de verser de l'eau si vous maintenez enfoncé le levier du distributeur pendant 1 minute. Pour verser davantage d'eau, relâchez puis appuyez sur le levier une nouvelle fois.
- Veillez à ce que le verre soit aligné avec le distributeur afin d'éviter que l'eau ne vous éclabousse.

Opérations

Système d'ouverture automatique de la porte



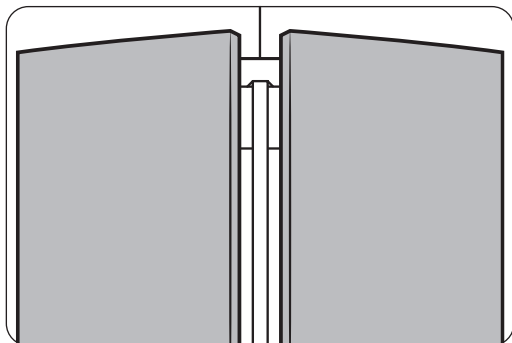
Le système d'ouverture automatique de la porte permet d'ouvrir la porte sans effort avec l'aide d'un dispositif mécanique.

Pour ouvrir la porte avec une assistance mécanique, poussez simplement la poignée de la porte.

Ensuite, la porte s'ouvre automatiquement.

Si vous touchez ou tapez simplement la porte, cela ne déclenche pas le système d'ouverture automatique de la porte.

Si la porte est fermée trop tôt lors du système de porte automatique, le kit peut être endommagé.



REMARQUE

- Par défaut, le système est activé.
- Le système ne se déclenche pas tout de suite après la fermeture de la porte. Attendez 2 secondes puis réessayez. Il ne s'agit pas d'un dysfonctionnement du système.
- Lorsque la porte s'ouvre à l'aide du système, elle reste ouverte pendant 2 secondes puis se ferme automatiquement.
- Vous avez la possibilité d'ajuster la sensibilité de pression. Pour optimiser la sensibilité de pression, maintenez enfoncés les boutons **Deodorizer Filter Reset (Réinitialisation du filtre du désodorisant)** et **Water Filter Reset (Réinitialisation du filtre à eau)** simultanément pendant 3 secondes. L'écran affiche « 01 » pendant 3 secondes. Pour annuler, maintenez à nouveau enfoncés ces deux boutons pendant 3 secondes. « 00 » s'affiche à l'écran.

ATTENTION

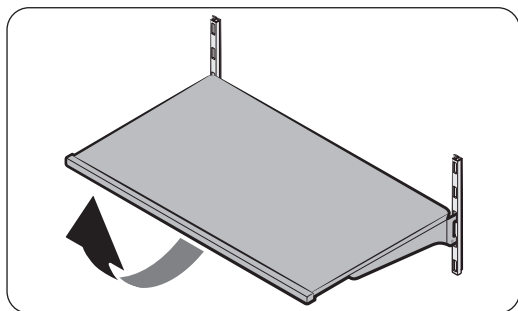
Ne repoussez pas la porte lorsqu'elle est ouverte. Cela risque de provoquer un dysfonctionnement mécanique du système.

- L'effort de pression à appliquer sur la porte diffère selon les conditions. La pression doit être plus forte juste après que la porte ait été fermée ou lorsque le cycle de réfrigération est activé par la pression d'aspiration à l'intérieur.
- Lorsque des réfrigérateurs sont installés en duo, il est possible que le système soit déclenché par la fermeture de la porte du réfrigérateur adjacent. Cela peut se produire lorsque la porte est claquée ou lorsque les réfrigérateurs ne sont pas soigneusement fixés au meuble.

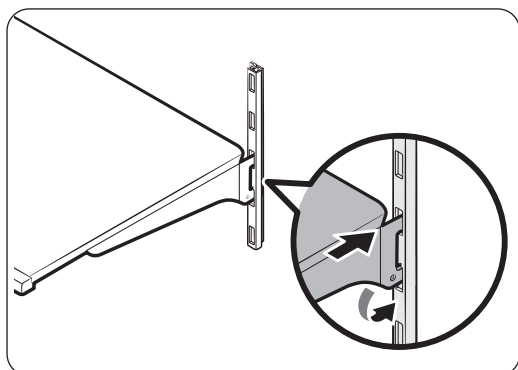
Opérations

Utilisation et entretien

Tablettes en verre trempé



Pour retirer une clayette, ouvrez la porte correspondante entièrement. Attrapez la clayette par l'avant, puis soulevez-la doucement et faites-la glisser pour la retirer.

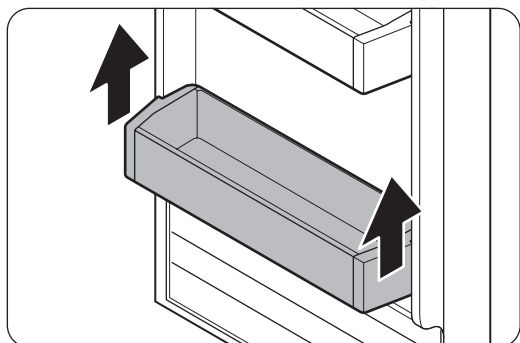


Pour la remettre en place, maintenez la clayette à un angle de sorte que l'avant soit plus que l'arrière, puis insérez le crochet supérieur dans l'encoche de la clayette supérieure. Puis, abaissez la clayette et insérez le crochet de la clayette inférieure dans l'encoche de la clayette inférieure.

ATTENTION

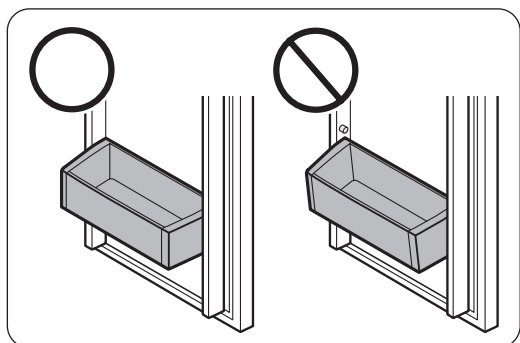
Lorsque vous retirez ou insérez la clayette, faites attention à ne pas rayer les côtés métalliques/en porcelaine du réfrigérateur.

Bacs de la porte



Pour le retirer, soulevez le bac de la porte puis tirez tout droit.

Le bac de la porte peut ne pas bouger correctement lors de la première utilisation. Si tel est le cas, retirez le bouchon intérieur de la porte, puis réessayez.

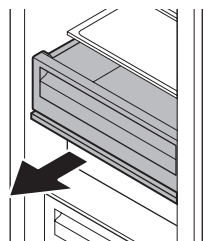


⚠ ATTENTION

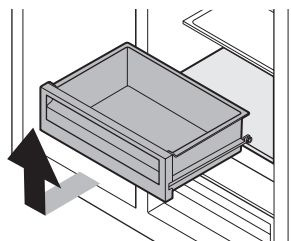
Le bac de la porte possède 4 orifices de fixation, soit 2 de chaque côté. Lors de la réinsertion du bac de la porte, assurez-vous que les 2 trous sur l'un des côtés du bac de la porte s'insèrent dans les 2 raccords guides sur le côté correspondant de la porte. En bref, les 4 trous sur le bac de la porte doivent s'insérer dans les 4 raccords sur la porte. En cas de non-respect de ces instructions, le bac de la porte peut ne pas être inséré droit.

Tiroirs

Pour le retirer, soulevez doucement l'avant du tiroir et faites-le glisser. Nous vous recommandons de retirer les bacs de la porte avant de retirer le tiroir. Cela permet d'éviter d'endommager les bacs de la porte.



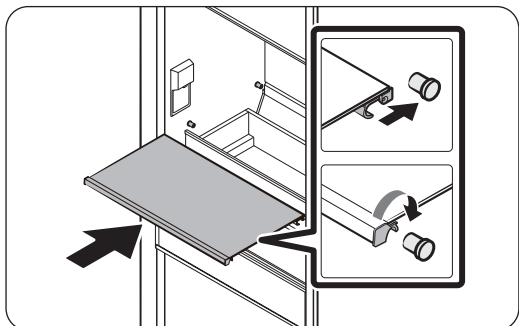
Tirer les tiroirs



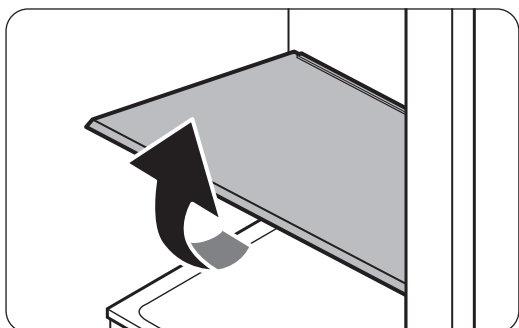
Retirer les tiroirs

Opérations

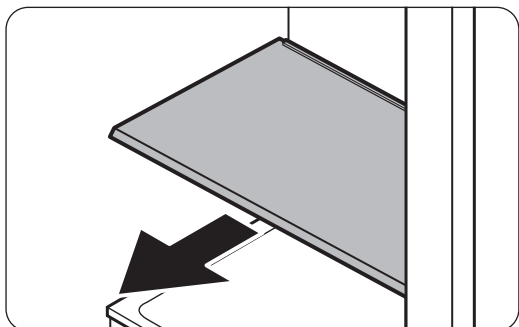
Clayette métallique



Les couvercles des tiroirs sont conçus de façon à se fixer dans les languettes de chaque coin des parois. Pour fixer ou détacher le couvercle, assurez-vous que le couvercle est fixé ou détaché au niveau des languettes.



Pour détacher le couvercle, tenez les deux côtés avant du couvercle. Soulevez le couvercle et tirez-le vers l'avant. Assurez-vous que le couvercle est détaché au niveau des languettes. Pour fixer le couvercle, insérez-le en le plaçant sur les languettes. Appuyez délicatement sur celui-ci pour le verrouiller au niveau des languettes.



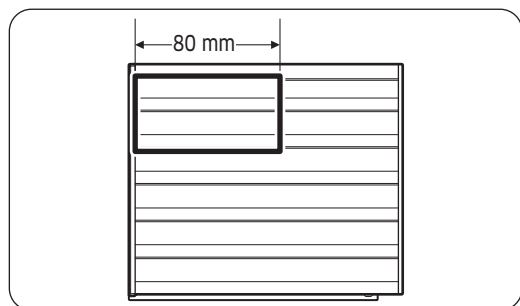
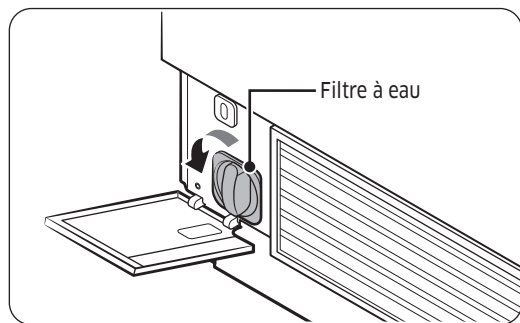
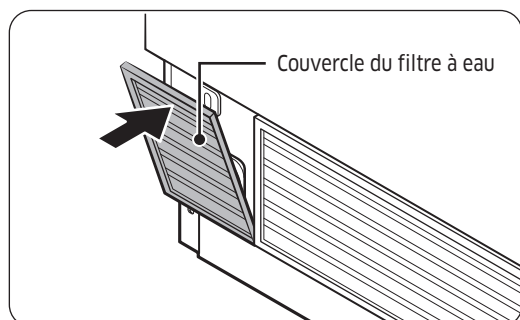
Remplacement

Filtre à eau

AVERTISSEMENT

- N'utilisez pas de filtres à eau de tiers. Utilisez uniquement des filtres fournis ou homologués Dacor.
- Les filtres non homologués peuvent fuir ou endommager le réfrigérateur, entraînant alors un risque d'électrocution. Dacor ne peut être tenue responsable en cas de dommages découlant de l'utilisation de filtres à eau de tiers.

Le voyant du filtre (—) devient rouge pour vous rappeler qu'il est temps de remplacer le filtre à eau. Avant de remplacer le filtre, assurez-vous que la conduite d'alimentation en eau est coupée.



1. Ouvrez le couvercle du filtre à eau en bas à gauche du réfrigérateur.
2. Tournez le filtre du distributeur dans le sens antihoraire pour le retirer.
3. Remplacez le filtre du distributeur.
4. Fermez le couvercle du filtre à eau.
5. Maintenez le bouton **Filter Reset (Réinitialisation du filtre)** enfoncé sur le panneau de fonctions pendant 3 secondes pour réinitialiser le détecteur du cycle de vie. Le voyant du filtre (—) s'éteint.
6. Une fois le remplacement du filtre terminé, ouvrez le robinet d'eau et versez de l'eau dans le distributeur pendant environ 7 minutes. Cela permet d'éliminer les impuretés et l'air provenant de la conduite d'eau.

REMARQUE

Le cache du filtre à eau ne peut être ouvert qu'en appuyant sur la zone marquée dans l'illustration de gauche.

Opérations

REMARQUE

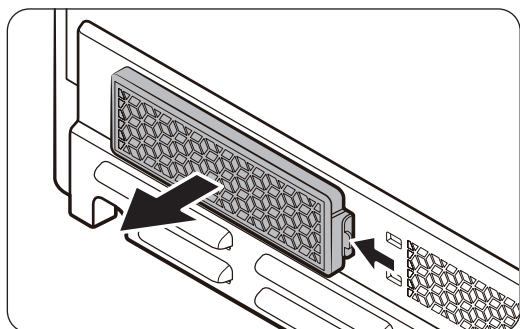
- De l'eau peut brièvement gicler du distributeur d'eau si le filtre a récemment été installé. Cela est dû à l'air pénétrant dans la conduite d'eau.
- Après le processus de remplacement, le distributeur d'eau peut goutter pendant une courte durée. S'il goutte, essuyez simplement l'eau présente sur le sol à l'aide d'un chiffon sec.

Commander un filtre neuf

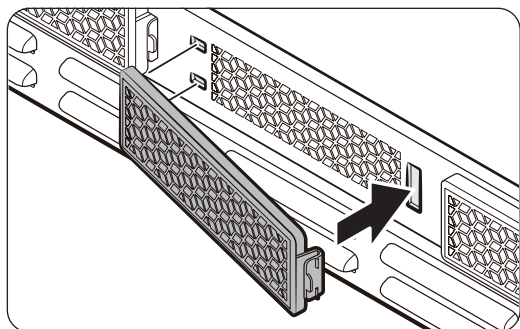
Pour acheter un filtre à eau neuf, communiquez avec un agent de service local.

Filter du désodorisant

- The overall design and/or accessories may differ with the model.



Pour le retirer, enlevez d'abord le tiroir de la Zone fraîche pour accéder au filtre sur la paroi arrière. Pressez les languettes du filtre pour le déverrouiller et le retirer.



Pour insérer le filtre, insérez d'abord la partie arrière du filtre, puis poussez la partie avant pour verrouiller la position.

REMARQUE

Le cycle de vie du filtre du désodorisant est de 18 mois (peut varier selon les conditions d'utilisation). Vous pouvez acheter un nouveau filtre dans un centre de service Dacor local.

Éclairage par DEL

Pour remplacer les DEL du réfrigérateur, contactez un fournisseur de service local.

AVERTISSEMENT

Les DEL ne peuvent pas être remplacées par l'utilisateur. N'essayez pas de remplacer une DEL par vous-même. Cette opération peut causer une électrocution.

Nettoyage et entretien

Nettoyage

AVERTISSEMENT

- Ne nettoyez pas le réfrigérateur avec du benzène, du diluant ou du nettoyant domestique/pour voiture comme Clorox™. Ces produits risquent d'endommager la surface du réfrigérateur et de provoquer un incendie.
- Évitez de vaporiser de l'eau directement sur le réfrigérateur. Cela est susceptible de provoquer un choc électrique.
- Ne mettez pas les doigts ni d'autres objets dans la sortie du distributeur.

Retirez régulièrement toutes les substances étrangères telles que la poussière ou l'eau des fiches de la prise électrique et des points de contact à l'aide d'un chiffon sec.

1. Mettez le réfrigérateur hors tension.
2. Mouillez légèrement un chiffon doux non pelucheux ou une serviette en papier pour nettoyer l'intérieur et l'extérieur du réfrigérateur.
3. Ensuite, utilisez un chiffon sec ou une serviette en papier pour bien sécher les surfaces.
4. Mettez le réfrigérateur sous tension.

Dépannage

Avant de contacter le service d'assistance, vérifiez les points ci-dessous. Tout appel d'assistance concernant des situations normales (pas de défaillances) sera facturé aux utilisateurs.

Généralités

Température

Symptôme	Causes possibles	Solution
Le réfrigérateur/ congélateur ne fonctionne pas. La température du réfrigérateur/congélateur est élevée.	<ul style="list-style-type: none">Le cordon d'alimentation est mal branché.	<ul style="list-style-type: none">Branchez correctement le cordon d'alimentation.
	<ul style="list-style-type: none">Le contrôle de la température n'est pas réglé correctement.	<ul style="list-style-type: none">Abaissez la température.
	<ul style="list-style-type: none">Le réfrigérateur se trouve à proximité d'une source de chaleur ou est en contact direct avec les rayons du soleil.	<ul style="list-style-type: none">Éloignez votre réfrigérateur de la lumière directe du soleil et de toute source de chaleur.
	<ul style="list-style-type: none">Espace insuffisant derrière ou sur les côtés du réfrigérateur.	<ul style="list-style-type: none">Assurez-vous qu'au moins 5 cm séparent les côtés et l'arrière du réfrigérateur.
	<ul style="list-style-type: none">Le réfrigérateur est surchargé. Les orifices d'aération sont obstrués par des aliments.	<ul style="list-style-type: none">Ne surchargez pas le réfrigérateur. Veillez à ce que les orifices d'aération ne soient pas bloqués par des aliments.
Le réfrigérateur/ congélateur refroidit trop.	<ul style="list-style-type: none">Le contrôle de la température n'est pas réglé correctement.	<ul style="list-style-type: none">Augmentez la température.

Dépannage

Odeurs

Symptôme	Causes possibles	Solution
Le réfrigérateur dégage des odeurs.	<ul style="list-style-type: none">Aliments abîmés.	<ul style="list-style-type: none">Nettoyez le réfrigérateur et retirez tout aliment abîmé.Le cycle de vie du filtre du désodorisant est de 18 mois. Cette période peut varier selon les conditions d'utilisation.
	<ul style="list-style-type: none">Aliments dégageant de fortes odeurs.	<ul style="list-style-type: none">Assurez-vous que les aliments dégageant de fortes odeurs sont emballés de manière hermétique.

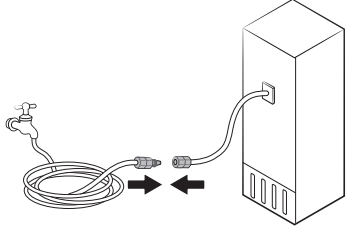
Givre

Symptôme	Causes possibles	Solution
Givre autour des aérations.	<ul style="list-style-type: none">Les orifices d'aération sont obstrués par des aliments.	<ul style="list-style-type: none">Assurez-vous qu'aucun aliment n'obstrue les orifices d'aération du réfrigérateur.
Givre sur les parois intérieures.	<ul style="list-style-type: none">La porte n'est pas fermée correctement.	<ul style="list-style-type: none">Assurez-vous qu'aucun aliment ne bloque la porte. Nettoyez le joint de la porte.

Condensation

Symptôme	Causes possibles	Solution
De la condensation se forme sur les parois intérieures.	<ul style="list-style-type: none">Si la porte reste ouverte, de l'humidité entre dans le réfrigérateur.	<ul style="list-style-type: none">Éliminez l'humidité et n'ouvrez pas la porte pendant une période prolongée.
	<ul style="list-style-type: none">Des aliments contiennent une humidité élevée.	<ul style="list-style-type: none">Assurez-vous que ces aliments sont emballés de manière hermétique.

Eau

Symptôme	Causes possibles	Solution
Le débit d'eau est plus faible qu'en temps normal.	<ul style="list-style-type: none"> La pression de l'eau est trop basse. 	<ul style="list-style-type: none"> Assurez-vous que la pression d'eau se situe entre 20 et 120 psi (138 et 872 kPa).
L'eau ne s'écoule pas.	<ul style="list-style-type: none"> La conduite d'eau n'est pas raccordée correctement ou l'arrivée d'eau n'est pas activée. 	<ul style="list-style-type: none"> Vérifiez les conditions d'installation relative à l'eau. 
	<ul style="list-style-type: none"> N'utilisez pas de filtres à eau de tiers. 	<ul style="list-style-type: none"> Utilisez uniquement des filtres fournis ou homologués Dacor. Les filtres non homologués peuvent fuir ou endommager le réfrigérateur.
	<ul style="list-style-type: none"> Le voyant du filtre à eau s'allume ou clignote. 	<ul style="list-style-type: none"> Remplacez le filtre à eau. Une fois le filtre remplacé, réinitialisez le capteur du voyant du filtre.

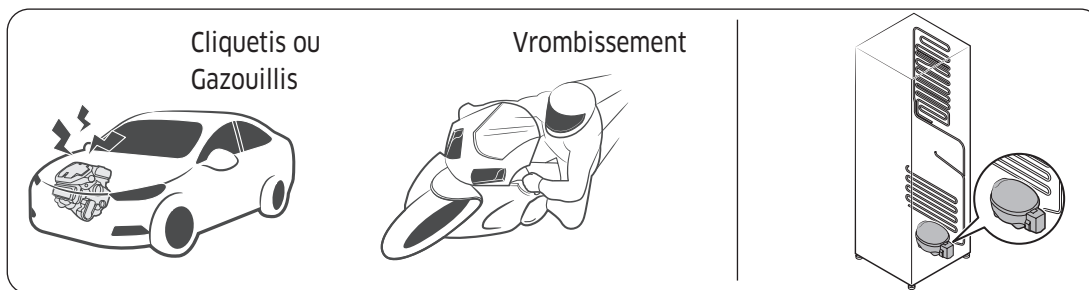
Dépannage

Votre réfrigérateur émet un bruit anormal ?

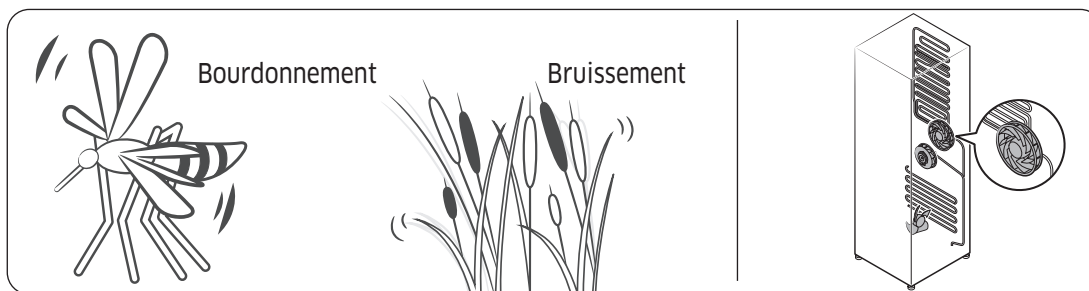
Avant de contacter le service d'assistance, vérifiez les points ci-dessous. Tout appel d'assistance concernant des sons normaux sera facturé aux utilisateurs.

Ces bruits sont normaux.

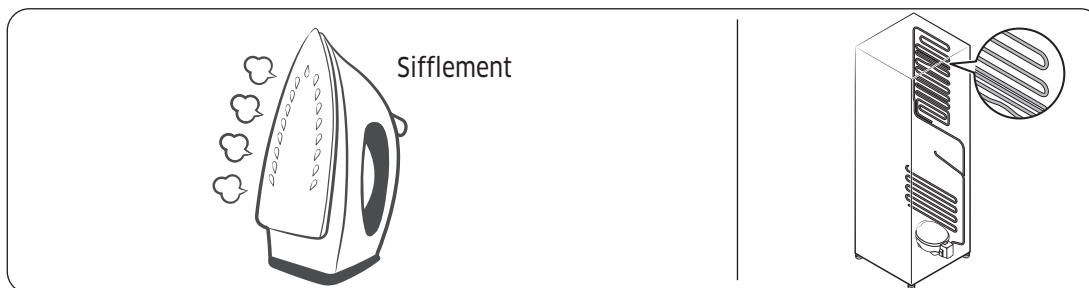
- Lorsque vous démarrez ou arrêtez une opération, le réfrigérateur peut émettre un son similaire à celui d'un moteur de voiture au démarrage. Ces bruits s'atténueront au fur et à mesure que l'opération se stabilise.



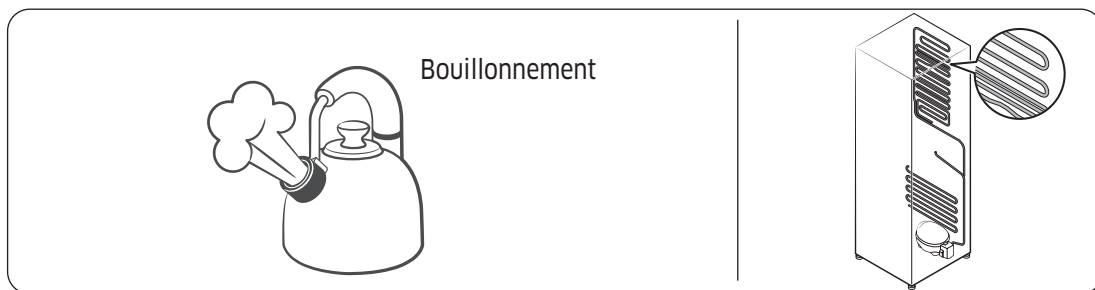
- Ces bruits peuvent être émis lorsque le ventilateur est en fonctionnement. Lorsque le réfrigérateur a atteint la température réglée, le ventilateur ne doit émettre aucun son.



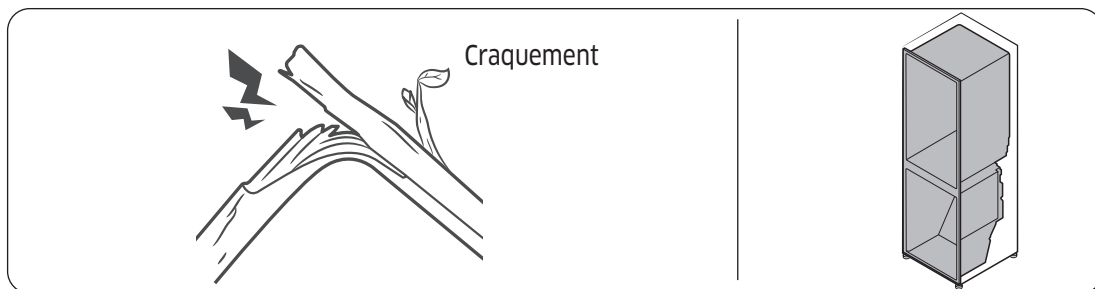
- Lors d'un cycle de dégivrage, de l'eau peut s'écouler sur le chauffage de dégivrage et provoquer un grésillement.



- Lorsque le réfrigérateur refroidit ou congèle, du gaz réfrigérant se déplace à travers les conduites et peut provoquer un bruit de bouillonnement.



- Lorsque la température du réfrigérateur augmente ou diminue, les pièces en plastique se contractent et s'étirent, ce qui peut créer des bruits de cognement. Ces bruits se manifestent lors du cycle de dégivrage ou lorsque les pièces électroniques sont en fonctionnement.



- Pour les modèles avec machine à glaçons : Lorsque le robinet d'adduction d'eau s'ouvre pour alimenter la machine à glaçons, des bourdonnements peuvent être émis.
- L'égalisation de la pression au moment de l'ouverture et de la fermeture de la porte du réfrigérateur peut produire des bruits de souffle.

Dépannage

Ouverture automatique de la porte (OAP)

Symptôme	Action
L'ouverture automatique de la porte (OAP) ne fonctionne pas.	<ul style="list-style-type: none">Activez le commutateur d'ouverture automatique de la porte. (Par défaut, le commutateur d'ouverture automatique de la porte est désactivé.)Si vous essayez de rouvrir la porte directement après avoir utilisé le réfrigérateur, l'ouverture automatique de la porte ne peut pas fonctionner normalement. Son fonctionnement normal est rétabli au bout d'une minute. Après 1 minute, réessayez doucement.
Lors de la fermeture de la porte, l'autre porte s'ouvre (installation en duo).	<ul style="list-style-type: none">Lorsque vous fermez la porte de l'un des réfrigérateurs, la porte de l'autre réfrigérateur (installation par paire) risque de s'ouvrir. Cela se produit si le capteur de la porte de l'autre réfrigérateur se déclenche. Il ne s'agit pas d'une défaillance du système. La porte ouverte sera refermé dans un moment par le système de fermeture automatique.

SmartThings

Symptôme	Action
L'application « SmartThings » est introuvable sur le marché des applications.	<ul style="list-style-type: none">La version du logiciel de soutien de l'application SmartThings est soumise à modifications en fonction de la politique de prise en charge du système d'exploitation fournie par le fabricant. En outre, comme pour l'application SmartThings ou les fonctions prises en charge par l'application, la nouvelle politique de mise à jour de l'application sur la version existante du système d'exploitation est susceptible d'être suspendue pour des raisons d'utilité ou de sécurité.
L'application SmartThings ne fonctionne pas.	<ul style="list-style-type: none">L'application SmartThings est disponible pour les modèles applicables uniquement.L'ancienne application Dacor Smart Refrigerator ne peut pas se connecter à des modèles Dacor Smart Home.
L'application SmartThings est installée mais n'est pas connectée à mon réfrigérateur.	<ul style="list-style-type: none">Vous devez vous connecter à votre compte Samsung pour pouvoir utiliser l'application.Assurez-vous que votre routeur fonctionne normalement.Si l'icône de connexion Wi-Fi est éteinte sur l'écran du réfrigérateur, cela indique qu'aucune connexion au réseau n'a encore été établie. Dans ce cas, utilisez l'application SmartThings pour connecter et enregistrer votre réfrigérateur au point d'accès (PA) de votre maison.
Connexion à l'application impossible.	<ul style="list-style-type: none">Vous devez vous connecter à votre compte Samsung pour pouvoir utiliser l'application.Si vous n'avez pas de compte Samsung, suivez les instructions de l'application affichées à l'écran pour en créer un.
Un message d'erreur apparaît lorsque j'essaie d'enregistrer mon réfrigérateur.	<ul style="list-style-type: none">Connexion facile peut échouer en raison de la distance par rapport au point d'accès (PA) ou d'interférences électriques provenant de l'environnement. Attendez un moment puis réessayez.
L'application SmartThings est bien connectée à mon réfrigérateur mais ne fonctionne pas.	<ul style="list-style-type: none">Quittez puis redémarrez l'application SmartThings, ou déconnectez et reconnectez le routeur.Éteignez le réfrigérateur, puis rallumez-le après avoir attendu 1 minute.

Dépannage

Smart Grid (Réponse à la demande)

Symptôme	Action
De quoi ai-je besoin pour utiliser les fonctions Energy Management (Gestion de l'énergie) et Smart Grid (Réponse à la demande) ?	<ul style="list-style-type: none">• Pour utiliser les fonctions Smart Grid (Réponse à la demande) et Energy Management (Gestion de l'énergie) de votre réfrigérateur, les applications et appareils suivants sont nécessaires :<ul style="list-style-type: none">- Appareils : 1) Un routeur sans fil ; 2) Un réfrigérateur SmartThings ; 3) Un smartphone. (Système d'exploitation recommandé : Android 6.0 ou une version ultérieure)- Applications : 1) L'application « SmartThings » disponible sur Google Play Store. <p>Vous aurez également besoin de :</p> <ul style="list-style-type: none">• Connecter le réfrigérateur et le smartphone au même réseau Wi-Fi de votre habitation.• Installer et lancer l'application SmartThings sur votre smartphone.• De plus, pour utiliser la fonction Smart Grid (Réponse à la demande), vous devez souscrire au service auprès de votre compagnie d'électricité. Celle-ci doit disposer d'un système de gestion de l'énergie (EMS, Energy Management System) prenant en charge les profils SEP (Smart Energy profile).
Pourquoi la fonction Energy Management (Gestion de l'énergie) ne fonctionne-t-elle pas correctement ?	<ul style="list-style-type: none">• Vérifiez que le routeur de votre domicile, ainsi que le réseau Internet, fonctionnent correctement.<ul style="list-style-type: none">- Connectez un smartphone au routeur (point d'accès, PA) et vérifiez que vous pouvez naviguer sur Internet depuis le téléphone.• Vérifiez que le réfrigérateur est connecté au point d'accès.<ul style="list-style-type: none">- Vérifiez l'icône de la connexion Wi-Fi sur le panneau du réfrigérateur. Si le réfrigérateur est connecté, l'icône sera allumée.• Vérifiez que le réfrigérateur et le smartphone sont connectés au même routeur.
Pourquoi la fonction de dégivrage différé ne fonctionne-t-elle pas correctement ?	<ul style="list-style-type: none">• Vérifiez que le routeur de votre domicile, ainsi que le réseau Internet, fonctionnent correctement.• Connectez un smartphone au routeur (point d'accès, PA) et vérifiez que vous pouvez naviguer sur Internet depuis le téléphone.• Vérifiez que votre zone de résidence est correctement saisie dans l'application SmartThings.• Vérifiez que la fonction Smart Grid (Réponse à la demande) fonctionne correctement. (Vérifiez le panneau de commande. L'icône DAL ou TALR ne doit pas s'afficher sur le panneau.)

Garantie

Service client

Avant de demander de l'aide ou de programmer une réparation :

1. Essayez les solutions proposées dans le tableau de résolution des problèmes de la section « Dépannage ».
2. Prenez connaissance des conditions de garantie de votre appareil.
3. Si aucun de ces conseils ou suggestions ne permet de résoudre votre problème, rendez-vous sur le site dacor.com ou appelez notre centre de service client au (833) 353-5483 (États-Unis) ou au (844) 509-4659 (Canada).

Canada - Garantie

CERTIFICAT DE GARANTIE POUR LE RÉFRIGÉRATEUR DACOR - CANADA :

La présente Garantie limitée couvre uniquement les Appareils fournis et distribués au Canada par nos soins et livrés neufs, dans le carton ou l'emballage d'origine à l'acheteur initial, et ayant été achetés auprès d'un revendeur ou distributeur agréé, à l'exception des conditions stipulées dans la présente. Sauf lorsque tel est interdit par la loi en vigueur dans la province, seul l'acheteur initial de l'Appareil jouit des droits octroyés dans le cadre de la présente Garantie limitée et la présente Garantie limitée n'est ni cessible ni attribuable.

Toutes les affirmations supplémentaires, telles que celles faites par le commerçant à des fins de promotion ou de présentation, qu'elles soient orales ou écrites, exprimant des garanties ou des modifications supplémentaires à la présente Garantie limitée ne constituent pas des garanties faites par nos soins et elles ne doivent pas être considérées comme fiables.

Garantie

1. CE QUE LA GARANTIE COUVRE ET PÉRIODE DE GARANTIE

Nous garantissons à l'acheteur initial (« l'Acheteur ») que votre réfrigérateur Dacor acheté auprès d'un revendeur ou distributeur agréé au Canada (les « Appareils ») est exempt de défauts de matière et de fabrication rencontrés dans le cadre d'une utilisation normale durant la période de garantie identifiée ci-dessous, entrant en vigueur à compter de la date d'achat ou de la date d'arrêt de fabrication de nouveaux modèles, la période la plus longue prévalant.

Appareil ou pièce Dacor	Période de Garantie et éléments couverts par la Garantie
Réfrigérateur	Deux (2) ans : pièces et main-d'œuvre
Système hermétique du réfrigérateur (compresseur, évaporateur, condensateur, déshydrateur et tuyau de raccordement)	Six (6) ans : pièces et main-d'œuvre
Système hermétique du réfrigérateur (compresseur, évaporateur, condensateur, déshydrateur et tuyau de raccordement)	Dix (10) ans : pièces uniquement

Défauts esthétiques. Durant les soixante (60) jours suivant la date d'achat, l'Appareil est garanti comme étant exempt de défauts esthétiques de matière et de fabrication (comme des rayures sur l'acier inoxydable, un ternissement de la peinture/porcelaine, éclats, piqûres ou autres dommages sur la finition). Les variations de couleur sont exclues et les appareils de démonstration, d'atelier, « en l'état » ou rénovés sont spécifiquement exclus.

2. LIMITATIONS DE LA COUVERTURE

Si l'Appareil ne fonctionne pas conformément aux spécifications de l'Appareil durant la période de garantie applicable et que le dysfonctionnement est dû à un défaut de matière ou de fabrication, nous réparerons ou remplacerons, à notre entière discrétion et sans frais pour l'Acheteur, l'Appareil ou toute pièce défectueuse de l'Appareil. Nous pouvons, à notre entière discrétion, utiliser des pièces ou composants réparés, reconditionnés ou neufs lors de la réparation d'un Appareil. Si le même modèle d'Appareil ou de pièce n'est pas disponible pour procéder au remplacement, nous pouvons, à notre entière discrétion, remplacer l'Appareil ou la pièce par un Appareil ou une pièce réparé, rénové, reconditionné ou neuf ayant une fonction et une valeur similaires à celles de l'Appareil ou de la pièce à remplacer.

Nous nous réservons expressément le droit exclusif, à notre entière discrétion et à la place de toute intervention, réparation ou remplacement sur un Appareil couvert par la présente Garantie limitée, de proposer à l'Acheteur un remboursement partiel du prix d'achat initial payé par l'Acheteur pour cet Appareil (un « Remboursement partiel »). Le montant de tout Remboursement partiel à proposer devra être déterminé par nos soins selon la juste valeur marchande de l'Appareil compte tenu de son ancienneté et de son état. Si l'Acheteur accepte de bénéficier d'un Remboursement partiel, l'Acheteur devra considérer qu'il nous dégage de toute réclamation ou responsabilité quelle qu'elle soit en vertu de la présente Garantie limitée, ou en vertu de toute autre garantie ou condition expresse ou implicite applicable à l'égard de cet Appareil.

Toutes les pièces réparées ou tous les Appareils remplacés seront garantis pendant une période égale à la durée restante de la Garantie limitée initiale couvrant l'Appareil d'origine, ou pendant 90 jours, la période la plus longue prévalant.

3. CE QUE LA GARANTIE NE COUVRE PAS

Les recours disponibles dans le cadre de la présente Garantie limitée sont disponibles uniquement au sein du Canada.

La présente Garantie limitée ne couvre pas les défauts, dysfonctionnements, pannes ou dommages causés par ou résultant de l'une des causes suivantes :

(a) retrait, installation, réinstallation, maintenance ou entretien de l'Appareil n'ayant pas été autorisé(e) par nos soins ; (b) accident, incendie, inondation, coupure de courant, surtensions, tension de ligne/alimentation/intensité électrique incorrecte, utilisation de fusibles, câblages domestiques, disjoncteurs, connecteurs non fournis par nos soins, tension électrique ou électromécanique inhabituelle, cas de force majeure, catastrophes naturelles ; (c) utilisation inappropriée, utilisation abusive, négligence, manipulation inadéquate, application incorrecte, altération ou modification de l'Appareil ou de toute pièce de l'Appareil ; (d) utilisation de l'Appareil conjointement à des appareils, équipements, charges, pièces, fournitures, accessoires, applications, câblages externes, connecteurs ou équipements auxiliaires/périphériques non fournis ou autorisés par nos soins ; (e) utilisations pour lesquelles l'Appareil n'a pas été conçu.

Garantie

En outre, la présente Garantie limitée ne couvre pas : (i) tout Appareil ou toute pièce dont le numéro de série a été effacé ou sur lequel/laquelle le numéro de série est devenu illisible. Le fait d'effacer le numéro de série sur un Appareil ou de le rendre illisible sur un Appareil annulera immédiatement la Garantie limitée pour ledit Appareil ; (ii) tout dommage quel qu'il soit qui survient pendant l'expédition de l'Appareil, une fois que l'Appareil a été accepté par l'Acheteur ; (iii) tout dommage quel qu'il soit résultant d'un manquement quel qu'il soit à suivre les instructions d'utilisation, de maintenance ou environnementales figurant dans le livret de consignes ou dans le manuel d'utilisation disponible en lien avec l'Appareil ; (iv) les frais de gestion pour le transport vers des îles ou des zones reculées, ce qui inclut, sans pour autant s'y limiter, les coûts de ferry, les frais de péage ou autres dépenses de transport ; (v) remplacement des fusibles ou boîtes à fusibles du domicile, ou réactivation de disjoncteurs ; (vi) accusation ou responsabilité vis-à-vis de dommages infligés sur les biens situés autour, notamment les meubles, sols, plafonds et autres structures ou objets ; (vii) coût des appels d'assistance visant à obtenir des instructions, la correction d'erreurs d'installation, des réglages à effectuer par le client alors qu'ils sont expliqués dans le manuel d'utilisation de l'Appareil, ou lorsque l'Appareil fonctionne bien conformément aux spécifications de l'Appareil. Il se peut que des frais de gestion soient facturés pour les appels d'assistance effectués pour des problèmes non couverts par la présente Garantie limitée ; (viii) cassure, décoloration ou dommage sur le verre, les surfaces métalliques, les composants en plastique, la garniture, la peinture ou d'autres finitions esthétiques, causés par une utilisation ou un entretien inapproprié(e), une utilisation abusive ou une négligence ; (ix) à l'exception des éléments précités, les pièces consommables, telles que les filtres et les ampoules, ne sont pas couvertes et relèvent donc de la responsabilité de l'Acheteur ; (x) utilisation à des fins commerciales, professionnelles ou locatives, ou pour toute autre application qu'une utilisation résidentielle par le consommateur ; (xi) variation de couleur due à des différences dans les pièces peintes, à l'éclairage de la cuisine, au positionnement de l'appareil et à d'autres facteurs.

Nous n'assurons et ne garantissons pas un fonctionnement continu ou sans erreur de l'Appareil.

4. QUELLES SONT LES LIMITATIONS APPLICABLES À UNE INTERVENTION À DOMICILE SOUS GARANTIE ?

L'intervention à domicile est soumise à disponibilité et n'est pas disponible dans toutes les régions du Canada. L'intervention à domicile ne sera assurée que si l'Appareil est dégagé et facilement accessible au niveau du sol pour le personnel d'intervention. Si la réparation ne peut pas être effectuée pendant l'intervention à domicile, ou si l'intervention à domicile n'est pas disponible dans votre région, il se peut qu'il vous soit demandé d'envoyer l'Appareil dans un centre de service Dacor agréé à des fins de réparation sous garantie. Le coût du transport de l'Appareil vers et depuis un centre de service Dacor agréé sera payé par l'Acheteur, à moins que nous ne décidions à notre discrétion de prendre en charge le coût du transport.

Pour bénéficier d'une intervention à domicile, l'Acheteur doit d'abord communiquer avec le Service client Dacor pour déterminer l'origine du problème et identifier les procédures de réparation. Toutes les réparations à domicile sous garantie doivent être effectuées par un centre de service Dacor agréé. Une preuve d'achat valide doit nous être présentée au moment où l'intervention est demandée et avant que les interventions sous garantie soient effectuées.

Lorsque l'intervention à domicile n'est pas disponible, l'Acheteur doit renvoyer l'Appareil dans un centre de service Dacor agréé à des fins d'analyse. Pour savoir où envoyer l'Appareil, communiquez avec notre Centre de service client. Le coût du transport de l'Appareil vers ou depuis le centre de service agréé doit être payé par l'Acheteur.

5. QUELLES SONT LES LIMITATIONS DE NOTRE RESPONSABILITÉ ?

SAUF TEL QU'EXPRESSÉMENT EXPOSÉ DANS LA PRÉSENTE GARANTIE LIMITÉE, NOTRE RESPONSABILITÉ EST SOUMISE AUX LIMITATIONS SUIVANTES :

(A) L'ACHETEUR ACCEPTE L'APPAREIL « EN L'ÉTAT » ET NOUS NE FAISONS AUCUNE GARANTIE OU ASSURANCE QUELLE QU'ELLE SOIT QUANT À L'APPAREIL.

(B) IL N'EXISTE AUCUNE CONDITION, EXPRESSE OU IMPLICITE, STATUTAIRE OU AUTRE, VIS-À-VIS DE L'APPAREIL.

(C) EN PARTICULIER, ET SANS LIMITER LA GÉNÉRALITÉ DES PARAGRAPHES (A) ET (B) PRÉCÉDENTS, NOUS NE FAISONS AUCUNE GARANTIE, CONDITION OU ASSURANCE QUANT AUX ÉLÉMENTS SUIVANTS : (i) LA QUALITÉ MARCHANDE DE L'APPAREIL OU SON ADÉQUATION À UN OBJECTIF OU USAGE SPÉCIFIQUE ; (ii) LE TITRE OU LA CONTREFAÇON ; (iii) LA CONCEPTION, L'ÉTAT, LA QUALITÉ OU LES PERFORMANCES DE L'APPAREIL ; (iv) LA CONSTRUCTION DE L'APPAREIL OU DES COMPOSANTS QU'IL CONTIENT ; (v) LA CONFORMITÉ DE L'APPAREIL AUX EXIGENCES DE TOUTE LOI, RÈGLE, SPÉCIFICATION OU TOUT CONTRAT RELATIF À L'APPAREIL.

(D) PARMIS TOUT CE QUE CONTIENT UN MANUEL D'INSTRUCTIONS OU D'UTILISATION, RIEN NE DOIT ÊTRE CONSIDÉRÉ COMME CRÉANT UNE GARANTIE EXPRESSE DE QUELQUE NATURE QUE CE SOIT VIS-À-VIS DE L'APPAREIL.

Garantie

LES CLAUSES PRÉSENTES DANS LES PARAGRAPHES (E) ET (F) CI-DESSOUS NE S'APPLIQUENT PAS DANS LES CIRCONSTANCES OÙ LA PRÉSENTE GARANTIE LIMITÉE EST RÉGIE PAR LES LOIS DE LA PROVINCE DU QUÉBEC.

(E) TOUTES LES GARANTIES ET CONDITIONS IMPLICITES POUVANT DÉCOULER DE L'APPLICATION DE LA LOI, NOTAMMENT TOUTE GARANTIE OU CONDITION IMPLICITE APPLICABLE QUANT À LA QUALITÉ MARCHANDE OU L'ADÉQUATION À UN USAGE PARTICULIER, SONT PAR LA PRÉSENTE LIMITÉES À LA MÊME DURÉE QUE LA PRÉSENTE GARANTIE LIMITÉE. CERTAINES PROVINCES INTERDISENT LES LIMITATIONS PORTANT SUR LA DURÉE D'UNE GARANTIE IMPLICITE ET LA LIMITATION DE DURÉE DE LA GARANTIE IMPLICITE NE S'APPLIQUERA PAS DANS LA MESURE OÙ LA LIMITATION EST INTERDITE PAR LA LOI EN VIGUEUR DANS LA PROVINCE.

(F) NOUS NE POURRONS ÊTRE TENUS POUR RESPONSABLES EN CAS DE DOMMAGES QUELS QU'ILS SOIENT (NOTAMMENT, MAIS SANS POUR AUTANT S'Y LIMITER, TOUT DOMMAGE ACCESSOIRE, PARTICULIER, INDIRECT OU SIMILAIRE) RÉSULTANT OU DÉCOULANT DIRECTEMENT OU INDIRECTEMENT DE L'UN DES ÉLÉMENTS SUIVANTS : (i) L'ACHAT, L'UTILISATION OU L'USAGE INAPPROPRIÉ DE L'APPAREIL ; (ii) TOUTE PERTE DE JOUISSANCE DE L'APPAREIL OU INCAPACITÉ À UTILISER L'APPAREIL ; (iii) TOUTE VIOLATION DE LA GARANTIE EXPRESSE ; (iv) TOUTE PERTE DE PROFITS OU BÉNÉFICES ANTICIPÉS ; (v) TOUTE PERTE D'ALIMENTS OU DE PRODUITS CONSOMMABLES ; (vi) TOUTE FAUTE (NOTAMMENT UNE NÉGLIGENCE OU GROSSIÈRE NÉGLIGENCE) OU ERREUR COMMISE PAR NOUS, NOS AGENTS OU EMPLOYÉS ; (vii) TOUTE VIOLATION DU CONTRAT ; (viii) TOUTE RÉCLAMATION FAITE À L'ENCONTRE DE L'ACHETEUR PAR TOUTE AUTRE PARTIE. CERTAINES PROVINCES INTERDISENT L'EXCLUSION OU LA RESTRICTION DES DOMMAGES ACCESSOIRES OU INDIRECTS ET L'EXCLUSION PRÉCITÉE DES DOMMAGES ACCESSOIRES OU INDIRECTS NE S'APPLIQUERA PAS DANS LA MESURE OÙ L'EXCLUSION EST INTERDITE PAR LA LOI EN VIGUEUR DANS LA PROVINCE.

(G) LA PRÉSENTE GARANTIE VOUS CONFÈRE DES DROITS LÉGAUX SPÉCIFIQUES ET VOUS POUVEZ ÉGALEMENT AVOIR D'AUTRES DROITS QUI VARIENT D'UNE PROVINCE À L'AUTRE. LA PRÉSENTE GARANTIE LIMITÉE STIPULE LE RECOURS EXCLUSIF DE L'ACHETEUR. SAUF LORSQUE TEL EST INTERDIT PAR LA LOI EN VIGUEUR DANS LA PROVINCE, LA PRÉSENTE GARANTIE LIMITÉE N'EST PAS CESSIBLE SANS AVOIR OBTENU NOTRE CONSENTEMENT EXPRESSE.

(H) SI UNE PARTIE DE LA PRÉSENTE GARANTIE LIMITÉE EST JUGÉE COMME ILLÉGALE OU NON APPLICABLE SELON UNE LOI QUELLE QU'ELLE SOIT, LADITE INAPPLICABILITÉ OU ILLÉGALITÉ PARTIELLE N'AFFECTERA PAS L'APPLICABILITÉ DU RESTE DE LA PRÉSENTE GARANTIE LIMITÉE.

Si l'Appareil est acheté auprès d'un revendeur ou distributeur non agréé ou acheté en dehors du Canada, la présente Garantie limitée ne s'applique pas, à l'exception des limitations précitées spécifiées dans les Sections 5(A) à 5(I) qui s'appliquent effectivement.

Émetteur de la garantie au Canada : Samsung Electronics Canada Inc., Mississauga, ON, L5N 0B9 Canada

EN DEHORS DES ÉTATS-UNIS ET DU CANADA :

GARANTIE LIMITÉE À UN AN

Si votre appareil Dacor ne fonctionne pas durant la première année suivant la date originale d'achat en raison d'un défaut de matériel ou de fabrication, Dacor fournira une nouvelle pièce d'usine franco à bord pour remplacer la pièce défectueuse.

Toute livraison, installation, tout frais de main d'œuvre et autre frais de service sera à la charge de l'acheteur.

AVIS AUX CONSOMMATEURS DU QUÉBEC concernant la garantie de la disponibilité des pièces de rechange, des services de réparation et des renseignements sur l'entretien et la réparation

Pièces de rechange

Bien que Samsung Canada déploie des efforts raisonnables pour mettre les pièces de rechange à la disposition des clients (sous réserve de la disponibilité et des délais d'approvisionnement applicables), Samsung Canada **ne garantit pas** la disponibilité des pièces de rechange au sens de la garantie de disponibilité énoncée aux articles 39 (paragraphe 3), 39.1 et 39.2 de la Loi sur la protection du consommateur du Québec.

Pour acheter des pièces de rechange et des outils pour effectuer vous-même les réparations, accédez au :

samsung.com/ca_fr/support/buy-certified-parts

Services de réparation

Bien que Samsung Canada offre des services de réparation pour les produits Samsung par l'intermédiaire de centres de service autorisés Samsung situés dans la plupart des grands centres urbains (définis comme une ville au Canada avec une population égale ou supérieure à 50 000 habitants) au Canada, Samsung Canada **ne garantit pas** la disponibilité des services de réparation au sens de la garantie de disponibilité énoncée aux articles 39 (paragraphe 3), 39.1 et 39.2 de la Loi sur la protection du consommateur du Québec dans tous les endroits, villes, ou des régions du Québec.

Pour trouver le centre de service autorisé Samsung le plus proche de vous, veuillez visiter :

samsung.com/ca_fr/support/service-center

Garantie

Renseignements pour l'entretien ou la réparation

Bien que Samsung Canada fournisse des renseignements sur l'entretien et/ou la réparation des marchandises pour certains produits Samsung (veuillez visiter samsung.com/ca_fr/support/self-repair pour plus de renseignements), Samsung Canada **ne garantit pas** la disponibilité des renseignements nécessaires à l'entretien ou à la réparation des produits Samsung au sens de la garantie de disponibilité énoncée aux articles 39 (paragraphe 3), 39.1 et 39.2 de la Loi sur la protection du consommateur du Québec.

LIMITATION DE RESPONSABILITÉ :

Samsung n'est pas responsable de toute défaillance ou de tout dommage déterminé comme étant causé par une réparation par un fournisseur de services non autorisé, une autoréparation ou une réparation non professionnelle du produit. Samsung n'est pas responsable des dommages qui en résultent au produit, à la personne ou à la propriété, ou de toute blessure ou de tout autre problème de sécurité du produit causé par ou résultant de toute réparation, ou toute tentative de réparation, toute évaluation, l'entretien, ou la modification effectuée par toute personne, y compris les dommages suivants : (i) tout dommage indirect, consécutif ou particulier, (y compris les dommages ou la perte de biens personnels ou commerciaux, une atteinte à la réputation, la perte d'utilisation, le coût d'achat des produits de remplacement, etc.); (ii) toute perte de données, de cote d'estime, de confidentialité, de profits ou d'occasions d'affaires; (iii) toute incapacité d'utilisation du produit ou une fonctionnalité réduite de celui-ci. Toute défaillance du produit ou tout dommage au produit résultant d'une réparation ou d'une tentative de réparation du produit par toute personne (autre qu'un fournisseur de services certifié Samsung) n'est pas couvert par la garantie. La responsabilité de Samsung est limitée dans toute la mesure permise par la loi.

Samsung fournit ces manuels aux consommateurs individuels à des fins d'autoréparation et à des entités de réparation indépendantes.

L'ensemble des textes, graphiques, interfaces utilisateur, interfaces visuelles, photographies, marques de commerce et logos (collectivement, le « contenu »), y compris la conception, la structure, la sélection, la coordination, l'« aspect et la convivialité » et la disposition de ce contenu, contenus dans le présent manuel, sont détenus, contrôlés ou accordés sous licence par ou à Samsung, et sont protégés par les lois sur l'habillage commercial, les droits d'auteur, les brevets et les marques de commerce, et divers autres droits de propriété intellectuelle et lois sur la concurrence déloyale.

Aucune partie de ce manuel ou du contenu ne peut être copiée, reproduite, republiée, téléversée, publiée, affichée publiquement, codée, traduite, transmise ou distribuée de quelque manière que ce soit (y compris par « reproduction en miroir ») à quiconque, à toute entité, à tout autre ordinateur, serveur, site Web ou autre support à des fins de publication ou de distribution ou à des fins commerciales, sans le consentement écrit préalable exprès de Samsung.

Limitation de responsabilité. BIEN QUE SAMSUNG DÉPLOIE TOUS LES EFFORTS RAISONNABLES POUR S'ASSURER QUE TOUS LES RENSEIGNEMENTS CONTENUS DANS CE MANUEL SONT EXACTS, SAMSUNG N'ASSUME AUCUNE RESPONSABILITÉ QUANT À L'EXACTITUDE OU À L'EXHAUSTIVITÉ DES RENSEIGNEMENTS CONTENUS DANS CE MANUEL. SAMSUNG VOUS FOURNIT LES RENSEIGNEMENTS ET LES CONTENUS DE CE MANUEL « EN L'ÉTAT » SANS AUCUNE GARANTIE DE QUELQUE NATURE QUE CE SOIT, EXPRESSE OU IMPLICITE. SAMSUNG EXCLUT DISTINCTEMENT TOUTE RESPONSABILITÉ POUR TOUT DOMMAGE DIRECT, INDIRECT, CONSÉCUTIF OU PARTICULIER LIÉ OU INHÉRENT DE QUELQUE MANIÈRE QUE CE SOIT À VOTRE ACCÈS OU À VOTRE UTILISATION DES RENSEIGNEMENTS CONTENUS DANS CE MANUEL, Y COMPRIS TOUTE PERTE OU TOUT DOMMAGE CAUSÉ PAR VOTRE CONFIANCE EN LES RENSEIGNEMENTS OBTENUS PAR CE MANUEL. Les autorités de certains territoires n'autorisent pas les exclusions ou les limitations des garanties implicites, de sorte que les exclusions ou limitations ci-dessus peuvent ne pas s'appliquer à vous. La responsabilité de Samsung en tout état de cause est limitée dans toute la mesure permise par la loi.

Samsung se réserve le droit discrétionnaire exclusif de changer, de modifier, d'ajouter ou de supprimer des parties de toute partie de ce manuel à tout moment. Il est de votre responsabilité de vérifier périodiquement le manuel pour détecter les changements. Votre utilisation du manuel signifie que vous acceptez les conditions générales énoncées dans ce manuel. Si vous n'acceptez pas de vous conformer aux conditions générales de ce manuel, en tout ou en partie, veuillez cesser d'utiliser ce manuel immédiatement.

Avis d'application de la réglementation

Norme FCC

MISE EN GARDE DE LA FCC :

Tout changement ou modification, non expressément approuvé par la partie responsable de la conformité, peut annuler l'autorisation de l'utilisateur à utiliser cet équipement.

Contient un Module émetteur FCC ID : A3LWIDT30Q

Cet appareil est conforme aux exigences de la partie 15 du règlement de la FCC. Son utilisation est assujettie aux deux conditions suivantes :

- (1) Cet appareil ne doit pas causer de brouillages préjudiciables, et
- (2) Cet appareil doit absorber tout type d'interférence, y compris les interférences pouvant causer un fonctionnement non désiré.

Pour les produits offerts sur les marchés des États-Unis et du Canada, seuls les canaux 1 à 11 peuvent être utilisés.

Vous ne pouvez pas sélectionner d'autres canaux.

DÉCLARATION DE LA FCC :

Cet appareil a été testé et classé dans la catégorie des appareils numériques de classe B conformément avec la partie 15 du règlement de la FCC. Ces limites sont conçues pour fournir une protection raisonnable contre les interférences nuisibles dans une installation domestique.

Cet appareil génère, utilise et émet des fréquences radioélectriques et peut, en cas d'installation ou d'utilisation non conforme aux instructions, engendrer des interférences nuisibles au niveau des communications radio. Cependant, il se peut que des interférences se produisent dans une installation particulière. En cas d'interférences avec la réception radiophonique ou télévisuelle, qui peuvent être vérifiées en mettant l'équipement hors, puis sous tension, l'utilisateur peut tenter de résoudre le problème de l'une des façons suivantes :

- Réorienter ou repositionner l'antenne de réception
- Augmenter l'espacement entre l'équipement et le récepteur
- Brancher l'équipement à une prise se trouvant sur un circuit différent de celui auquel le récepteur est branché.
- Consulter le fournisseur ou un technicien en radio et télévision expérimenté pour obtenir de l'aide

DÉCLARATION DE LA FCC SUR L'EXPOSITION AUX IRRADIATIONS :

Cet équipement répond aux limites de la FCC sur l'exposition aux rayonnements établies pour un environnement non contrôlé.

Cet équipement doit être installé et utilisé à une distance minimale de 8 pouces (20 cm) entre le radiateur et votre corps. Cet appareil et ses antennes ne doivent pas être co-localisés ou fonctionner en conjonction avec toute autre antenne ou émetteur, sauf s'il/elle est conforme aux procédures relatives aux produits à émetteurs multiples de la FCC.

Norme IC

Contient un IC de module émetteur : 649E-WIDT30Q

Le terme « IC » placé avant le numéro de certification pour les radiofréquences signifie seulement que les spécifications techniques d'Industry Canada ont été respectées. Son utilisation est assujettie aux deux conditions suivantes : (1) cet appareil ne doit pas provoquer d'interférence et (2) il doit absorber tout type d'interférence, y compris les interférences pouvant causer un fonctionnement non désiré.

Cet appareil numérique de classe B est conforme à l'ICES-003 (Canada).

Cet appareil numérique de la classe B est conforme à la norme NMB-003 du Canada.

Pour les produits offerts sur les marchés des États-Unis et du Canada, seuls les canaux 1 à 11 peuvent être utilisés. Vous ne pouvez pas sélectionner d'autres canaux.

DÉCLARATION D'IC QUANT À L'EXPOSITION AUX RAYONNEMENTS :

Cet équipement répond aux limites de l'IC RSS-102 sur l'exposition aux rayonnements établies pour un environnement non contrôlé. Cet équipement doit être installé et utilisé à une distance minimale de 8 pouces (20 cm) entre le radiateur et votre corps. Cet appareil et ses antennes ne doivent pas être co-localisés ou fonctionner en conjonction avec toute autre antenne ou émetteur, sauf s'il/elle est conforme aux procédures relatives aux produits à émetteurs multiples de la FCC.

CONSERVEZ CES INSTRUCTIONS

Mémo

Mémo

Communiquer avec Dacor

Si vous avez des questions ou des commentaires concernant les appareils Dacor, veuillez communiquer avec le centre de service client Dacor.

Pays	Centre d'appels	Site Internet
U.S.A	1-833-353-5483	www.dacor.com
CANADA	1-844-509-4659	www.dacor.com



DA68-03607B-11

dacor
