

DYO, DYOV



Discovery™ iQ 30" Wide Double Wall Ovens

PLANNING GUIDE

WARNING

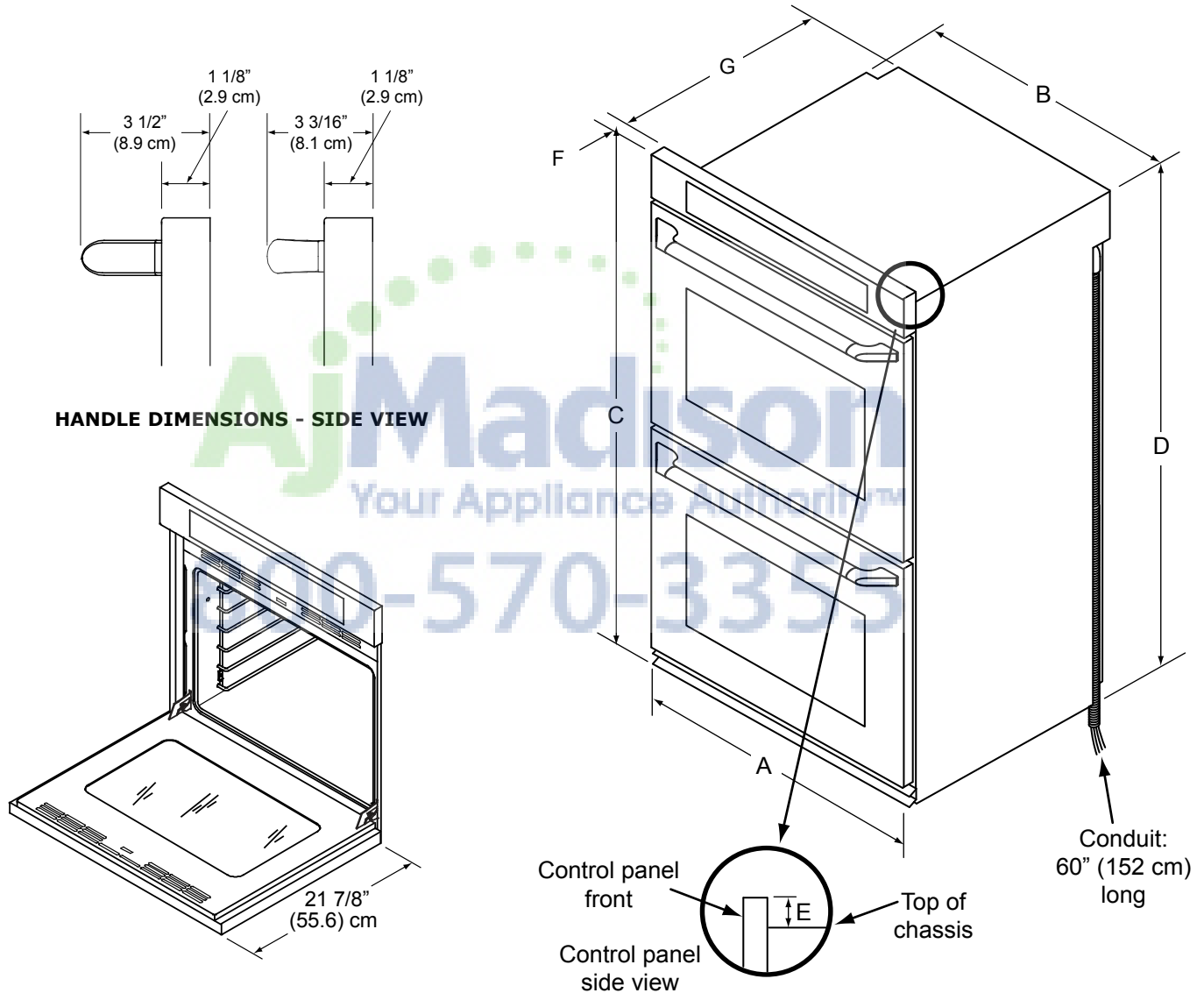
- Observe all governing codes and ordinances during planning and installation. Contact your local building department for further information.
- This appliance must be installed in accordance with the accompanying installation instructions.

Dedicated Circuit Required	Total Connected Load
240 Vac, 4-wire*, 60 Hz, 50 Amp.	240 Vac 60 Hz, 45 Amp. 10.8 kW

* Two 120 Vac hot (L1 and L2), one neutral, one ground.

** This specification is for reference only. See the product data label for exact specifications.

Product tolerances: ±1/16" (±1.6 mm), unless otherwise stated.



A	B	C	D	E	F	G
29 7/8" (75.9 cm)	28 1/4" (71.8 cm)	51 1/4" (130.2 cm)	50 5/16" (127.8 cm)	15/16" (2.4 cm)	1 3/8" (3.5 cm)	23 1/2" (59.7 cm)

PRODUCT DIMENSIONS



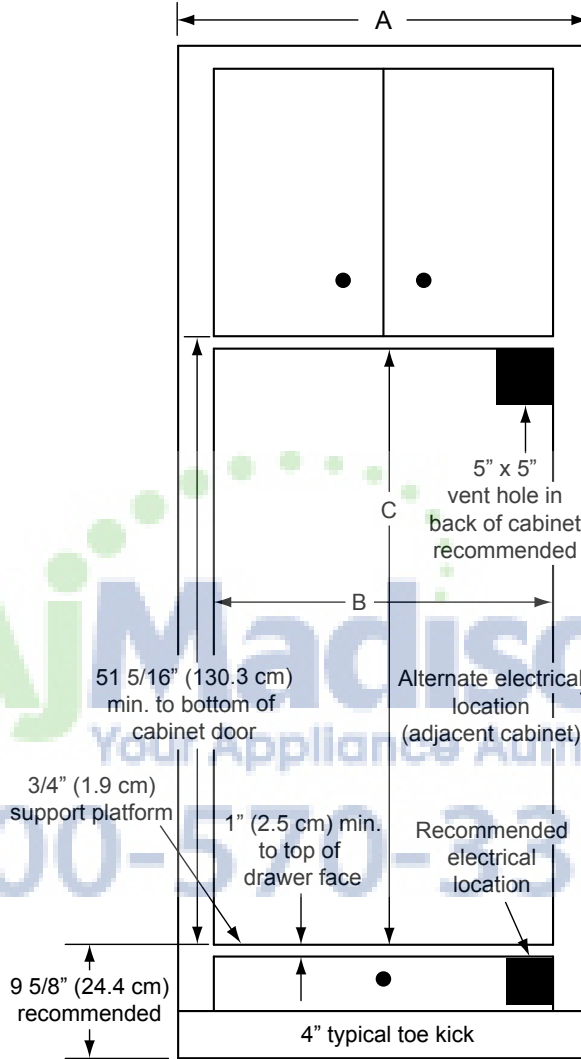
DYO, DYOV



Discovery iQ 30" Wide Double Wall Ovens

PLANNING GUIDE

Cutout tolerances: +1/16" (+1.6 mm), -0, unless otherwise stated.



(A) Standard Installation	(A) Flush Installation	(B) Standard Installation	(B) Flush Installation	(C) Standard Installation	(C) Flush Installation
30" (76.2 cm)	31" (78.7 cm)	28 3/8" to 29" (72.1 cm to 73.7 cm)	30" (76.2 cm)	50 3/8" to 50 3/4" (128.0 cm to 128.9 cm)	51 5/8" (131.1 cm)

CUTOUT DIMENSIONS



NOTES:

1. **24" (61.0 cm) minimum interior cabinet depth required (to allow for ventilation). 25 3/8" (66.0 cm) for flush installation.**
2. **1/8" (3 mm) minimum clearance from appliance to adjacent cabinet doors/drawers.**