

DAYTON[®] SPECIFICATIONS

Dayton[®] Undermount Double Bowl Sink Model DXUH3119 Series

GENERAL

Sink is formed of #18 gauge, type 301 nickel bearing stainless steel.

DESIGN FEATURES

Bowl Depth: 8".

Finish: Exposed surfaces are polished to a Radiant Satin finish.

Underside: Sound dampening pad with spray undercoating to dampen sound and reduce condensation.

OTHER

Drain Openings: 3-1/2".

NOTE: All Dayton undermount sinks are designed to affix easily to the underside of any solid surface countertop.

OPTIONAL ACCESSORIES

Bottom Grids: LKWOBG1115SS (small bowl), LKWOBG1617SS

(large bowl), GOBG1115SS (small bowl), GOBG1617SS (large bowl)

Cutting Board: CB1713 (large bowl) (Sink must be installed with a 1/2" reveal for cutting board to fit properly)

Drain: LK35, D1125

Rinsing Basket: LKWRB1115SS (small bowl), LKWRB1617SS (large bowl)

Utensil Caddy: LKWUCSS

Mounting Clip: LKUCLIP8 (2 packages required)

Template: 64180278

Sink complies with ASME A112.19.3-2008 / CSA B45.4-08.

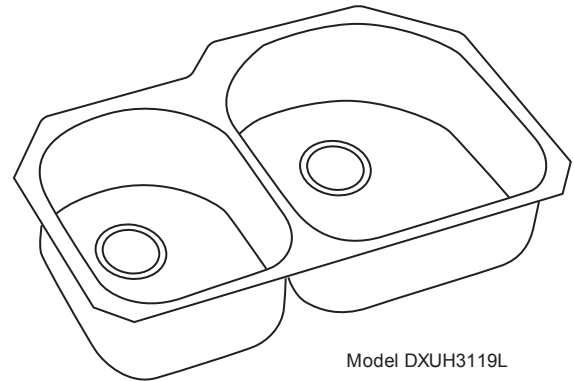


These sinks are listed by the International Association of Plumbing and Mechanical Officials as meeting the requirements of the Uniform Plumbing Code and the National Plumbing Code of Canada.

SINK DIMENSIONS (INCHES)*

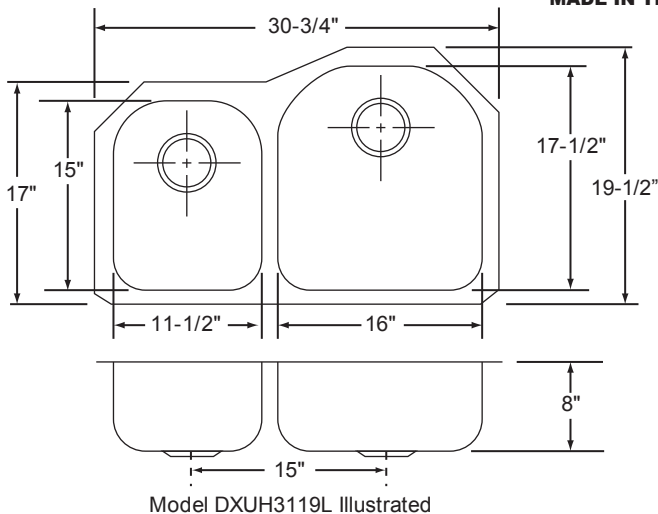
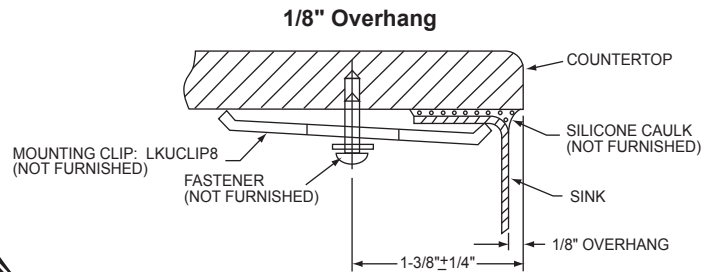
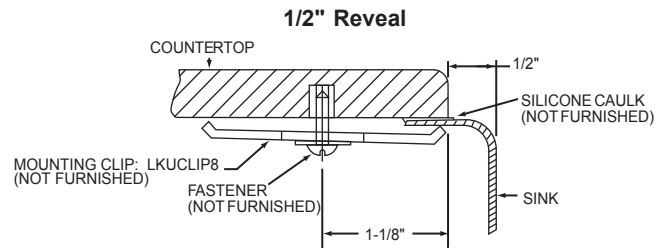
Model Number	Overall		Inside Left Bowl			Inside Right Bowl			Minimum Cabinet Size
	L	W	L	W	D	L	W	D	
DXUH3119L	30 ³ / ₄	19 ¹ / ₂	11 ¹ / ₂	15	8	16	17 ¹ / ₂	8	36
DXUH3119R	30 ³ / ₄	19 ¹ / ₂	16	17 ¹ / ₂	8	11 ¹ / ₂	15	8	36

*Length is left to right. Width is front to back.

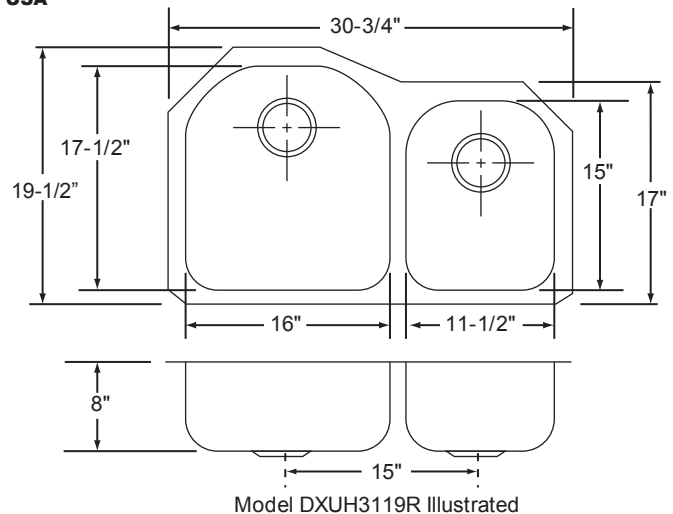


Model DXUH3119L

Electronic Dual Template Mounting Option (Download DXF File from www.elkayusa.com)



Model DXUH3119L Illustrated



Model DXUH3119R Illustrated

ALL DIMENSIONS IN INCHES, TO CONVERT TO MILLIMETERS MULTIPLY BY 25.4.

In keeping with our policy of continuing product improvement, Elkay reserves the right to change product specifications without notice. Please visit elkayusa.com for most current version of Elkay product specification sheets.

This specification describes an Elkay product with design, quality and functional benefits to the user. When making a comparison of other producers' offerings, be certain these features are not overlooked.

Elkay

elkayusa.com

2222 Camden Court
Oak Brook, IL 60523

Printed in U.S.A.
©2011 Elkay

(Rev. 5/11) 2-64D