

DAYTON® SPECIFICATIONS

Dayton® Undermount Double Bowl Sink Model DXUH3118

GENERAL

Sink is formed of #18 (1.2mm) gauge, type 301 nickel bearing stainless steel.

DESIGN FEATURES

Bowl Depth: 8" (203mm).

Underside: Sound dampening pad with spray undercoating to dampen sound and reduce condensation.

Finish: Exposed surfaces are polished to a Radiant Satin finish.

OTHER

Drain Openings: 3-1/2" (89mm).

NOTE: All Dayton undermount sinks are designed to affix easily to the underside of any solid surface countertop.

OPTIONAL ACCESSORIES

Bottom Grid: LKWBG1415SS, GBG1415SS

Drain: LK35, D1125

Cutting Board: CB1516 (Sink must be installed with a 1/2" reveal for cutting board to fit properly).

Rinsing Basket: LKWRB1316SS, LKWERBSS

Utensil Caddy: LKWUCSS

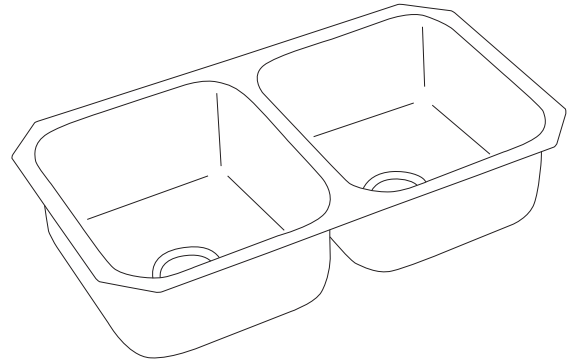
Mounting Clip: LKUCLIP8 (2 packages required)

Template: 64180280

Sink complies with ASME A112.19.3-2008 / CSA B45.4-08.



These sinks are listed by the International Association of Plumbing and Mechanical Officials as meeting the requirements of the Uniform Plumbing Code and the National Plumbing Code of Canada.



Model DXUH3118



SINK PACKAGE

DXUH2115DF includes: (1) Sink - DXUH3118, (1) Faucet - LK1501CR, and (2) Drains.

DXUH2115DFBG includes: (1) Sink - DXUH3118, (1) Faucet - LK5000CR, (1) Bottom Grid - GBG1415SS, and (2) Drains.

FAUCET FEATURES

LK1501CR

- Chrome finished, single-lever kitchen faucet with side spray.

- Flexible supply tubes with 1/2" (13mm) male IPS adapters.

- Two 1 3/8" diameter faucet holes required.

LK5000CR

- Chrome finished, single-lever kitchen faucet with pull-down spray.

- Braided stainless steel supply lines.

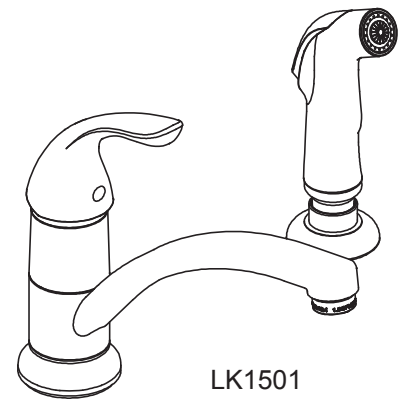
- Three 1 3/8" diameter faucet holes required.

Max counter thickness: 2.5" (63mm).

Faucets comply with: ADA, ANSI/NSF61, ASME A112.18.1/CSA B125.1,

cUPC, CA AB1953

Faucet flow rate: 1.5 GPM/5.7 L/min at 60 P.S.I.G.



LK1501

BOTTOM GRID FEATURES

Nickel-bearing stainless steel

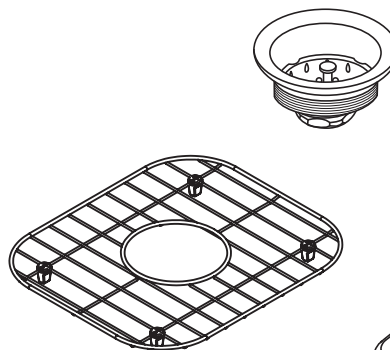
Bright finish

Dishwasher safe

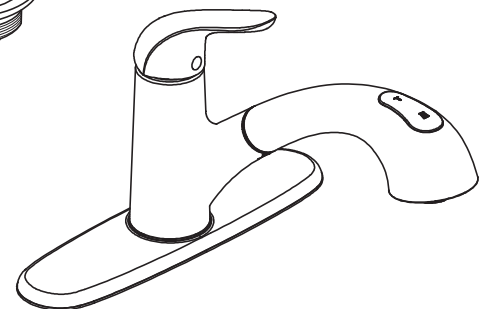
DRAIN FEATURES

Stainless steel body and strainer.

Fits 3-1/2" (89mm) opening.



GBG1415SS



LK5000

In keeping with our policy of continuing product improvement, Elkay reserves the right to change product specifications without notice. Please visit elkayusa.com for most current version of Elkay product specification sheets.

This specification describes an Elkay product with design, quality and functional benefits to the user. When making a comparison of other producers' offerings, be certain these features are not overlooked.

Elkay

elkayusa.com

2222 Camden Court
Oak Brook, IL 60523

Printed in U.S.A.
©2011 Elkay

(Rev. 8/11) 2-58F

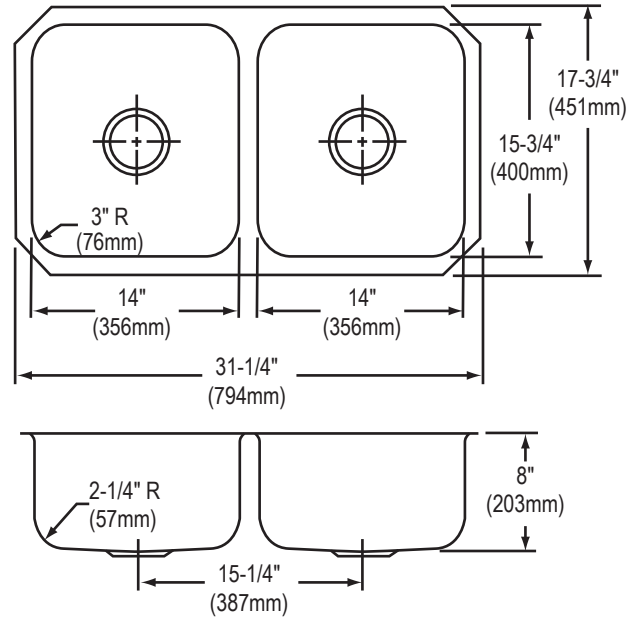
DAYTON® SPECIFICATIONS

Dayton® Undermount Double Bowl Sink Model DXUH3118

SINK DIMENSIONS (INCHES)*

Model Number	Overall		Inside Bowl			Minimum Cabinet Size
	L	W	L	W	D	
DXUH3118	31-1/4 (794mm)	17-3/4 (451mm)	14 (356mm)	15-3/4 (400mm)	8 (203mm)	36 (914mm)

*Length is left to right. Width is front to back.



Electronic Dual Template Mounting Option (Download DXF File from www.elkayusa.com)

