

DAYTON[®] SPECIFICATIONS

Dayton[®] Undermount Single Bowl Sink Model DXUH2115

GENERAL

Sink is formed of #18 (1.2mm) gauge, type 301 nickel bearing stainless steel.

DESIGN FEATURES

Bowl Depth: 8" (203mm).

Underside: Sound dampening pad with spray undercoating to dampen sound and reduce condensation.

Finish: Exposed surfaces are polished to a Radiant Satin finish.

OTHER

Drain Opening: 3-1/2" (89mm).

NOTE: All Dayton undermount sinks are designed to affix easily to the underside of any solid surface countertop.

OPTIONAL ACCESSORIES

Bottom Grid: LKWBG2115SS, GBG2115SS

Drain: LK35, D1125

Cutting Board: CB1516 (Sink must be installed with a 1/2" reveal for cutting board to fit properly)

Rinsing Basket: LKW RB2115SS, LKWERBSS

Utensil Caddy: LKWUCSS

Mounting Clip: LKUCLIP8

Template: 64180282

Sink complies with ASME A112.19.3-2008 / CSA B45.4-08.



These sinks are listed by the International Association of Plumbing and Mechanical Officials as meeting the requirements of the Uniform Plumbing Code and the National Plumbing Code of Canada.

SINK PACKAGE

DXUH2115DF includes: (1) Sink - DXUH2115, (1) Faucet - LK1501CR, and (1) Drain.

DXUH2115DFBG includes: (1) Sink - DXUH2115, (1) Faucet - LK5000CR, (1) Bottom Grid - GBG2115SS, and (1) Drain.

FAUCET FEATURES

LK1501CR

- Chrome finished, single-lever kitchen faucet with side spray.
- Flexible supply tubes with 1/2" (13mm) male IPS adapters.
- Two 1 3/8" diameter faucet holes required.

LK5000CR

- Chrome finished, single-lever kitchen faucet with pull-down spray.
- Braided stainless steel supply lines.
- Three 1 3/8" diameter faucet holes required.

Max counter thickness: 2.5" (63mm).

Faucets comply with: ADA, ANSI/NSF61, ASME A112.18.1/CSA B125.1, cUPC, CA AB1953

Faucet flow rate: 1.5 GPM/5.7 L/min at 60 P.S.I.G.

BOTTOM GRID FEATURES

Nickel-bearing stainless steel

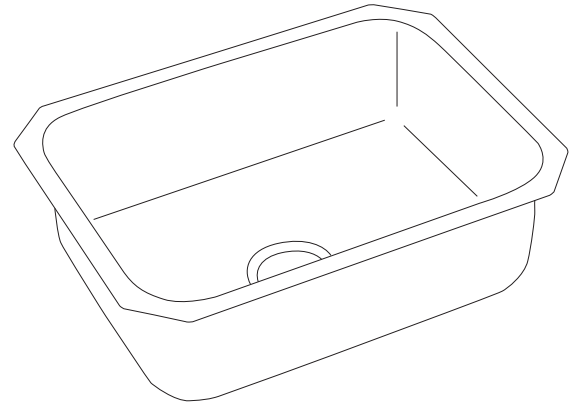
Bright finish

Dishwasher safe

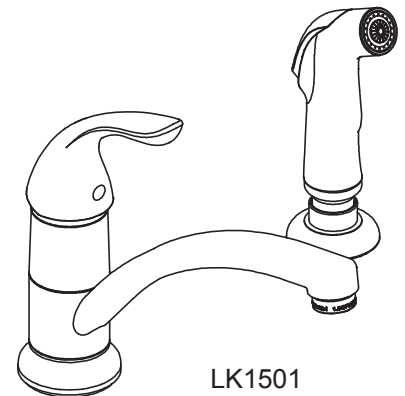
DRAIN FEATURES

Stainless steel body and strainer.

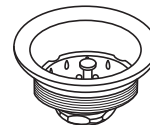
Fits 3-1/2" (89mm) opening.



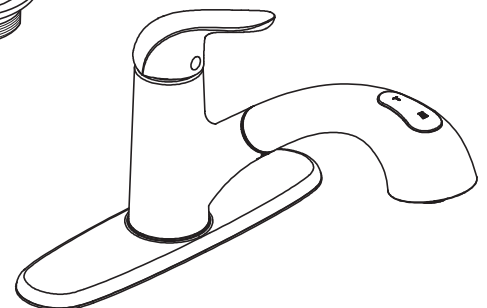
Model DXUH2115



LK1501



GBG2115SS



LK5000

In keeping with our policy of continuing product improvement, Elkay reserves the right to change product specifications without notice. Please visit elkayusa.com for most current version of Elkay product specification sheets.

This specification describes an Elkay product with design, quality and functional benefits to the user. When making a comparison of other producers' offerings, be certain these features are not overlooked.

Elkay

elkayusa.com

2222 Camden Court
Oak Brook, IL 60523

Printed in U.S.A.
©2011 Elkay

(Rev. 8/11) 2-57E

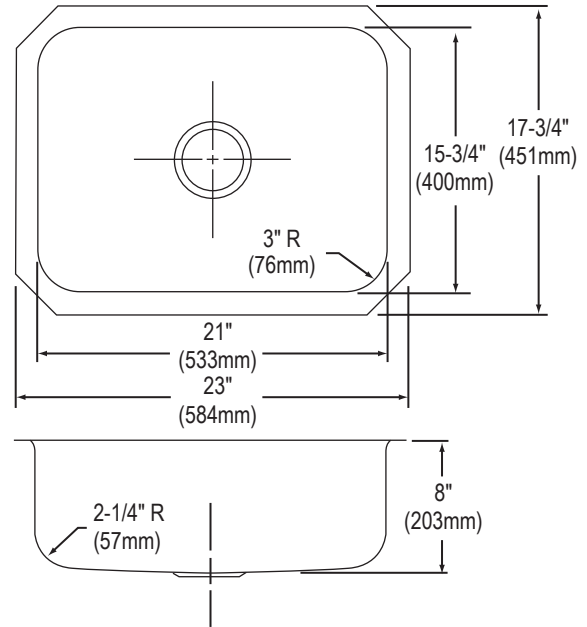
DAYTON[®] SPECIFICATIONS

Dayton[®] Undermount Single Bowl Sink Model DXUH2115

SINK DIMENSIONS (INCHES)*

Model Number	Overall		Inside Bowl			Minimum Cabinet Size
	L	W	L	W	D	
DXUH2115	23 (584mm)	17-3/4 (451mm)	21 (533mm)	15-3/4 (400mm)	8 (203mm)	27 (686mm)

*Length is left to right. Width is front to back.



Model DXUH2115 Illustrated

Electronic Dual Template Mounting Option (Download DXF File from www.elkayusa.com)

