

# 30" Warming Drawer

\$1,999

**dacor**



DWR30U900WS/DA – Silver Stainless

## Features & Benefits

- 4 temperature levels
- 4 timer settings
- Electronic control panel

## Controls

<b>CONTROL TYPE</b>	Tactile Control
<b>KITCHEN TIMER</b>	Yes

## Warming Drawer

<b>CAPACITY (CU. FT.)</b>	1.6
<b>TEMPERATURE RANGE</b>	85°F to 220°F
<b>POWER</b>	500W
<b>MOIST / CRISP SELECTOR</b>	No
<b>APPROVED FOR OUTDOOR USAGE</b>	No

## Weights & Dimensions

<b>NET WEIGHT (LBS.)</b>	80.7
<b>SHIPPING WEIGHT (LBS.)</b>	90.4
<b>PRODUCT DIMENSIONS (W X H X D IN INCHES)</b>	29 <sup>3</sup> / <sub>4</sub> x 9 <sup>3</sup> / <sub>8</sub> x 24 <sup>13</sup> / <sub>16</sub>
<b>CUTOUT REQUIRED (W X H X D IN INCHES)</b>	28 <sup>1</sup> / <sub>2</sub> x 9 <sup>1</sup> / <sub>8</sub> x 24°

## Technical Details

<b>ELECTRICAL REQUIREMENTS</b>	120V, 60 Hz, 15A
--------------------------------	------------------

## Warranty

<b>FULL COVERAGE</b>	2 Years
----------------------	---------

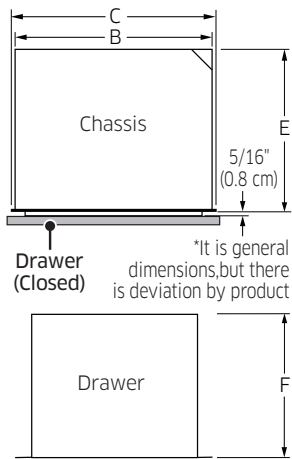
# 30" Warming Drawer

\$1,999

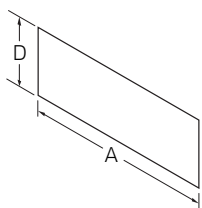
**dacor**

Appliance Dimensions	
<b>A - DRAWER FACE WIDTH (IN/CM)</b>	28 5/16 / 71.9
<b>B - CHASSIS WIDTH (IN/CM)</b>	27 7/16 / 70.1
<b>C - CHASSIS FACE WIDTH (IN/CM)</b>	28 3/8 / 72.1
<b>D - DRAWER FACE HEIGHT (IN/CM)</b>	8 15/16 / 22.7
<b>E - CHASSIS DEPTH (IN/CM)</b>	23 1/2 / 59.6
<b>F - DRAWER DEPTH (IN/CM)</b>	22 9/16 / 57.4
<b>G - CHASSIS HEIGHT (IN/CM)</b>	9 1/16 / 23
<b>H* - DRAWER FRONT WIDTH (IN/CM)</b>	29 3/4 / 75.6
<b>I* - DRAWER FRONT HEIGHT (IN/CM)</b>	9 3/8 / 23.9
<b>J* - DRAWER FRONT DEPTH (IN/CM)</b>	1 / 2.5

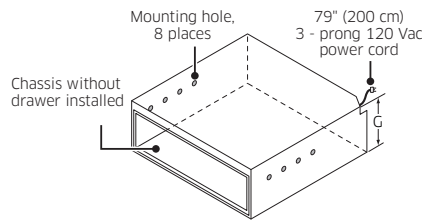
\*DWR30U900WS/DA, DWR30U900WM/DA models only



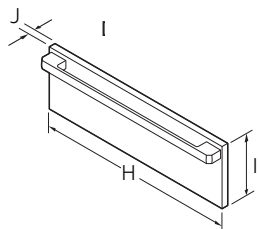
TOP VIEW



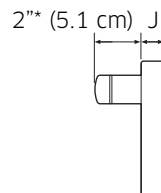
DRAWER FACE DIMENSIONS



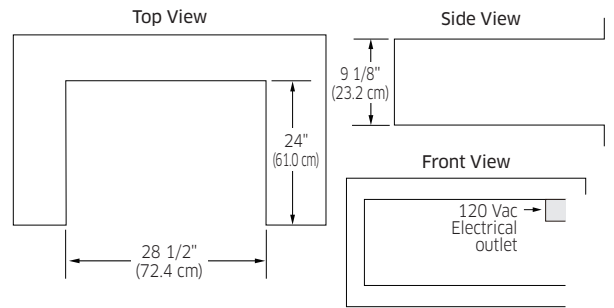
CHASSIS DIMENSIONS



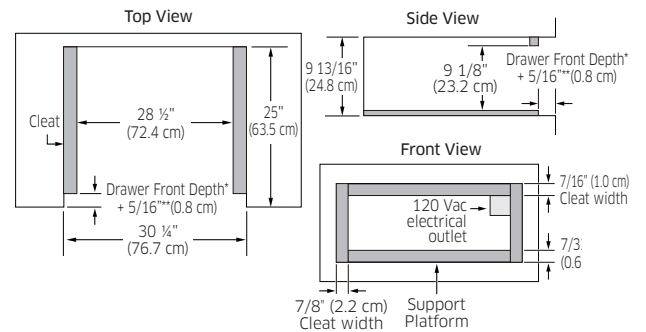
DRAWER FRONT DIMENSIONS



HANDLE DIMENSION



STANDARD CABINET DIMENSIONS



FLUSHED CABINET DIMENSIONS