

Use and care
GUIDE

DWHD771W**

Dishwasher



Table of **CONTENTS**

Safety Definitions	4
IMPORTANT SAFETY INSTRUCTIONS	5
Causes of Damage	7
Getting Started	8
Home Connect™	11
Water softening system / special salt *	13
Rinse Aid	15
Loading the Dishwasher	16
Detergent	20
Dishwasher Cycles	22
Dishwasher Cycle Options	23
Operating the Dishwasher	25
Care and Maintenance	28
Troubleshooting	32
Customer Service	37
Statement of Limited Product Warranty	38

This THERMADOR Appliance is made by
BSH Home Appliances Corporation
1901 Main Street, Suite 600
Irvine, CA 92614

Questions?
1-800-735-4328
www.thermador.com
We look forward to hearing from you!

Safety Definitions

▲ WARNING

This indicates that death or serious injuries may occur as a result of non-observance of this warning.

▲ CAUTION

This indicates that minor or moderate injuries may occur as a result of non-observance of this warning.

NOTICE: This indicates that damage to the appliance or property may occur as a result of non-compliance with this advisory.

Note: This alerts you to important information and/or tips.

IMPORTANT SAFETY INSTRUCTIONS

READ AND SAVE THESE INSTRUCTIONS

This dishwasher is provided with Installation Instructions and this Use and Care Manual. Read and understand all instructions before using the dishwasher.

This dishwasher is intended for use up to a maximum altitude of 13,000 ft (4,000 meters) above sea level.

To reduce the risk of fire, electrical shock, or serious injury, observe the following:

WARNING

RISK OF INJURY OR DEATH

Misuse of the dishwasher can result in serious injury or death. Do not use the dishwasher in any way not covered in this manual or for any purpose other than those explained in the following pages.

WARNING

RISK OF INJURY

Severe injury and/or product damage could result from the use of unauthorized service technicians or non-original replacement parts. All repairs must be performed by an authorized service technician using only original equipment factory replacement parts.

WARNING

RISK OF ELECTRICAL SHOCK OR FIRE

Electrical shock or fire could result if the electrical supply for the dishwasher covered in this manual is incorrectly installed or if the dishwasher has been improperly grounded. Do not use the dishwasher covered in this manual unless you are certain the electrical supply has been correctly installed and the dishwasher has been properly grounded.

WARNING

HEALTH HAZARD

Never use harsh chemicals to clean your dishwasher. Some bleach-based products can damage your dishwasher and may present health hazards!

GROUNDING INSTRUCTIONS

This appliance must be grounded to a metal, permanent wiring system or an equipment grounding conductor must be run with the circuit conductors and connected to the equipment grounding terminal or lead on the dishwasher. See the Installation Instructions included with this dishwasher for more information on electrical requirements.

WARNING

RISK OF ELECTRIC SHOCK

This appliance must be grounded. In the event of a malfunction or breakdown, grounding will reduce the risk of electric shock by providing a path of least resistance for electric current. This appliance is equipped with a cord having an equipment-grounding conductor. Improper connection of the equipment-grounding conductor can result in risk of electric shock. Check with a qualified electrician if you are in doubt whether the appliance is properly grounded.

Safe Operation

Use this dishwasher only for its intended function, which is the washing of household dishware and kitchenware rated as dishwasher safe.

Use only detergents or rinsing agents recommended for use in a dishwasher, and keep them out of the reach of children.

CAUTION

When loading items to be washed:

- Locate sharp items so they are not likely to damage the door seal.
 - Load knives and other sharp utensils with their HANDLES UP to reduce the risk of cut-type injuries.
 - Do not wash plastic items unless they are marked "dishwasher safe" or the equivalent. For plastic items not so marked, check the manufacturer's recommendations.
 - Do not operate your dishwasher unless all enclosure panels are in place.
 - Do not tamper with or override controls and interlocks.
-

Do not abuse, sit or stand on the door or dish racks of the dishwasher.

IMPORTANT SAFETY INSTRUCTIONS

READ AND SAVE THESE INSTRUCTIONS

WARNING

RISK OF INJURY

To avoid risk of injury, always use caution when opening the door during or following a wash cycle as hot water or steam may escape. Do not fully open the door until water noises have stopped and steam has subsided.

To reduce risk of injury, do not allow children to play in or on the dishwasher.

When children become old enough to operate the appliance, it is the responsibility of the parents/legal guardians to ensure the children are instructed in safe practices by qualified persons.

NSF/ANSI 184 Certified residential dishwashers are not intended for licensed food establishments.

Proper Care and Maintenance

WARNING

RISK OF EXPLOSION

Under certain conditions, hydrogen gas may be produced in a hot water system that has not been used for two weeks or more. Hydrogen gas is explosive. Before using a dishwasher that is connected to a hot water system that has been unused for two weeks or longer, turn on all hot water faucets and let the water flow from each for several minutes. This will release any accumulated hydrogen gas. As the gas is explosive, do not smoke or use an open flame during this time.

Remove the dishwasher door to the washing compartment when removing an old dishwasher for service or discarding.

To avoid floor damage and possible mold growth, do not allow wet areas to remain around or under the dishwasher.

Note: To avoid dishwasher damage, do not allow water to remain in your dishwasher systems through extended periods of freezing temperatures. Freezing temperatures can damage the water fill valve and potentially other components of your dishwasher.

NOTICE: It is highly recommended for the end user to become familiar with the procedure to shut off the incoming water supply and the procedure to shut off the incoming power supply. See the Installation Instructions or contact your installer for more information.

State of California Proposition 65 Warning:

WARNING

This product can expose you to chemicals including vinyl chloride, which is known to the State of California to cause cancer and birth defects or other reproductive harm. For more information go to www.P65Warnings.ca.gov.

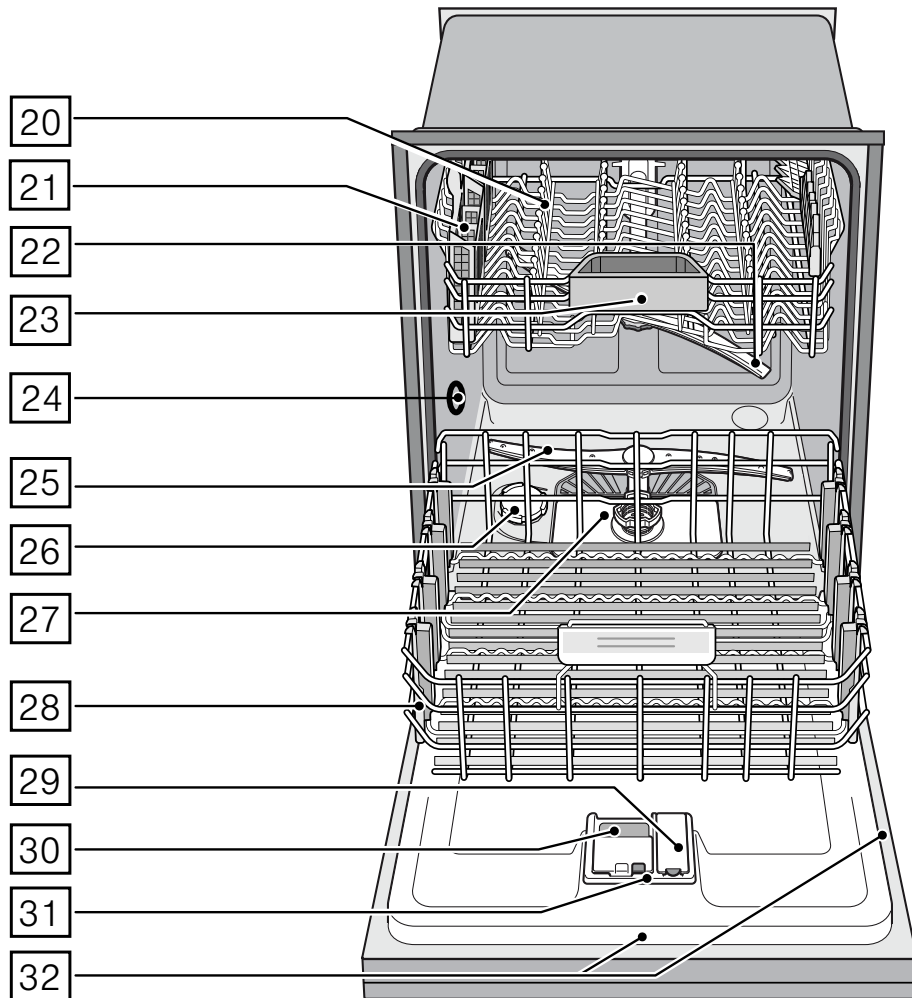
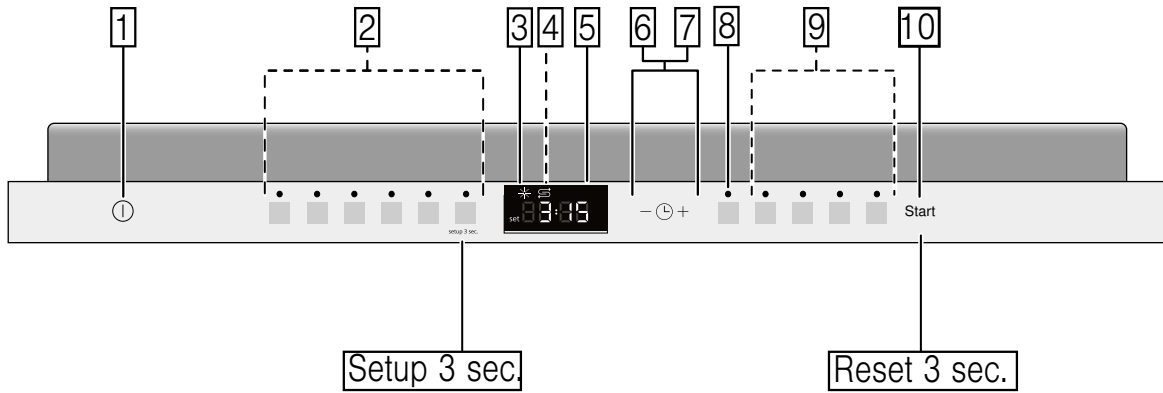
Causes of Damage

NOTICES

- Never use steam cleaning products to clean your dishwasher. The manufacturer will not be liable for the possible damages or consequences.
- To avoid possible dishwasher damage, do not use harsh chemicals, bleach-based wipes, abrasive cleaners, scouring pads (metal or plastic), or abrasive cloths/paper towels to clean your dishwashers exterior door panel. Your dishwasher's exterior door panel can be damaged by doing so.
- To avoid dishwasher damage, do not load the dishwasher with paper products, plastic bags, packing materials or anything other than normal, dishwasher safe dishware and kitchenware.
- **Protect your dishwasher from the elements. Protect against freezing to avoid possible damage to the fill valve. Damage caused by freezing is not covered by the warranty.**

Getting Started

Appliance overview



The numbers stated below refer to the overview images on the previous page of this manual.

Operating panel

- 1 On/Off button
- 2 Wash cycles**
- 3 Rinse aid refill indicator
- 4 Salt refill indicator
- 5 Digital display
- 6 Selection buttons
- 7 Delay start button
- 8 Remote start button
- 9 Wash cycle options**
- 10 START button

Note: Some of the wash cycles and options will vary by model.

Dishwasher interior components

- 20 Upper rack
- 21 Silverware basket
- 22 Upper spray arm
- 23 Detergent tab tray
- 24 Vent hole
- 25 Lower spray arm
- 26 Dispenser for special salt
- 27 Filters
- 28 Lower rack
- 29 Rinse aid dispenser
- 30 Detergent dispenser
- 31 Lock for detergent dispenser
- 32 Rating plate

Display indicators

0:00	Cycle time remaining
*	Lights up when rinse aid is low
S	Lights up when salt is low
Wi-Fi	Lights up when wifi is connected

Menu Overview

The dishwasher has been preset with certain settings for your convenience. You can change these factory settings.

Change the setting as follows:

1. Open the door.
2. Press the ON/OFF button 1.
3. Press and hold the **setup 3 sec.** button for 3 seconds until *H:0...* is shown on the display window 5

4. Press the **setup 3 sec.** button to access the individual settings.
5. Adjust the setting using the + and - buttons. 6.
6. Press and hold the **setup 3 sec.** button for 3 seconds. The chosen setting has now been stored.

Note: If you want to change several settings, first make all your changes one after the other. Then press the **setup 3 sec.** button for 3 seconds. All the settings will then be stored in the dishwasher.

Setting	Factory setting	Description
<i>H</i> Water hardness <i>H:00 - H:07</i>	<i>H:00</i>	Setting the water hardness. When using Multitabs, select the lowest setting.
<i>r</i> Rinse aid <i>r:00 - r:06</i>	<i>r:05</i>	Amount of rinse aid affects drying.
<i>SE</i> Sensor setting <i>SE:00 - SE:02</i>	<i>SE:00</i>	Adjustment of the soil detection for optimum cleaning.
<i>d</i> Intensive drying <i>d:00 - d:01</i>	<i>d:00 / Off</i>	Improved drying for glasses and plasticware.
<i>P</i> Auto power off <i>P:00 - P:02</i>	<i>P:00</i>	Dishwasher automatically switches off at the end of each cycle.
<i>I</i> Info light * <i>I:00 - I:01</i>	<i>I:01 / On</i>	Light is projected to signal an active wash cycle.
<i>E</i> Emotion Light <i>E:00 - E:0,</i>	<i>E:01</i>	Interior lights are on.
<i>S</i> Time light * <i>S:00 - S:01</i>	<i>S:01</i>	Time light is on.
<i>SP</i> Last program used <i>SP:00 - SP:01</i>	<i>SP:01</i>	Defaults to last program used.
<i>SL</i> Signal volume <i>SL:00 - SL:03</i>	<i>SL:02</i>	Volume of the signal at the end of a program.
<i>bL</i> Button volume <i>bL:00 - bL:03</i>	<i>bL:02</i>	Volume of the button sound.
<i>c</i> Double push <i>c:00 - c:01</i>	<i>c:00</i>	Double push to open - when active, requires two pushes to open door.
<i>Ln</i> Wifi off/on <i>Ln:00 - Ln:01</i>	<i>Ln:00</i>	Wifi connection is off.
<i>AC</i> Auto Connect		WPS: Auto pairing.
<i>SA</i> Manual Connect		SAP: Manual connection.
<i>AP:P</i> App Pair		Pair appliance to app.
<i>rE</i> Factory Reset		"Yes"

* optional feature which may or may not be included with your dishwasher.

Home Connect™

This dishwasher is Wi-Fi capable and can be remotely controlled via a mobile device.

If your dishwasher does not connect to the home network, you can also operate the dishwasher manually by pressing the buttons.

Refer to appliance overview for the location of the buttons. → "Appliance overview" on page 8

Wi-Fi

You can activate wireless network connection with $Cn:01$ or deactivate it with $Cn:00$.

Activate Wi-Fi:

1. Press the on ON/OFF button $[1]$.
2. Press and hold the button **setup 3 sec.** for 3 seconds.
In the display window $[5]$ you will see $H:0...$ and **set**.
3. Press the button **setup 3 sec.** repeatedly until $Cn:00$ appears in the display window $[5]$.
4. Use the setting button + $[6]$ to activate Wi-Fi $Cn:01$.
5. Press and hold the button **setup 3 sec.** for 3 seconds.

The chosen setting has now been stored in your dishwasher.

Note: Remote control of the dishwasher requires a stable wireless network connection.

Network login

To connect the dishwasher to your home network, you can choose between automatic RC and manual network login SR . To do this, check to see if there is a WPS function on your router.

Automatic network login RC : Connect to the home network using the WPS function of your router. During connection press the WPS button on the router.

Manual network login SR : Connect your mobile device to the network (SSID):_____, password (key):_____. The network settings are then manually entered using the Home Connect App to connect to your home network.

Connect dishwasher to home network and app:

1. Switch on ON/OFF switch $[1]$.
2. Press and hold the button **setup 3 sec.** for 3 seconds.
In the display window $[5]$ you will see $H:0...$ and **set**.
3. Press the button **setup 3 sec.** repeatedly until $[5]$ RC or SR appears in the display window.
4. Start connection with the setting button + $[6]$.
In the display window $[5]$ you will see PR .

Following successful connection to your home network $C:0n$ appears briefly in the display window $[5]$.

The dishwasher then automatically starts connection to the app. During connection $RP:P$ appears in the display window $[5]$. Following successful connection to the app $C:0n$ appears in the display window $[5]$.

Observe the Home Connect documents supplied.

Note: The menu items RC and SR are not available until Wi-Fi has been activated.

Connect to the app

The setting $RP:P$ establishes the link between the dishwasher, app and your user account.

Note: This step should only be carried out if the dishwasher has not yet automatically connected to the app.

Connect dishwasher to app:

1. Switch on ON/OFF switch $[1]$.
2. Press and hold the button **setup 3 sec.** for 3 seconds.
In the display window $[5]$ you will see $H:0...$ and **set**.
3. Press the button **setup 3 sec.** repeatedly until $RP:P$ appears in the display window $[5]$.
4. Start connection with the setting button + $[6]$.

If connection is successful, $C:0n$ appears in the display window $[5]$.

Observe the Home Connect documents supplied.

Note: The menu item $RP:P$ is not available until there is a connection to the home network.

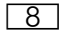
About data protection:


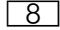
When your Home Connect dishwasher is connected for the first time to a WLAN network which is connected to the Internet, your Home Connect dishwasher transmits the following categories of data to the Home Connect server (initial registration):

- Unique appliance identification (consisting of appliance codes as well as the MAC address of the installed Wi-Fi communication module).
- Security certificate of the Wi-Fi communication module (to ensure a secure IT connection).
- The current software and hardware version of your dishwasher.
- Status of any previous resetting to factory settings.

This initial registration prepares the Home Connect functions for use and is activated the first time you use these Home Connect functions. Please note that the Home Connect functions can be used only in conjunction with the Home Connect App. Information on data protection can be accessed in the Home Connect App.

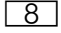
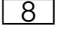

Remote start button

If the dishwasher is connected to the home network, you can activate the dishwasher's remote control. To do so, press the remote start button .

If the dishwasher has not yet logged into Home Connect, perform automatic network login  by pressing the remote start button .

Observe the Home Connect documents supplied.

Notes

- To remotely control the dishwasher, the remote start button  must be activated.
- The remote start button  goes out when the login process is complete.
- Opening the door deactivates remote control.
- If the connection to the router fails,  flashes on the display.

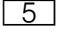
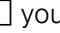
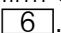
Wi-Fi without a connection to the Home Connect server

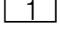
You can use the Home Connect App to disconnect from the Home Connect server.

The appliance is then locally connected to your mobile device without any connection to the Home Connect server.

Note: If you did not deactivate the connection to the Home Connect server, check your Internet connection.

Remote diagnostics

Customer Service can use remote diagnostics to access your appliance if you contact them. In the display window  you will see . Confirm Customer Service access using the setting button + .

Note: You can switch off remote diagnostics using the ON/OFF switch  or deactivate Customer Service access in the Home Connect app.

Water softening system / special salt *

To ensure good rinsing results, the dishwasher requires soft water, i.e. water which is low in lime, otherwise limescale will be deposited on the utensils and interior container. Tap water above 7° dH (1.2 mmol/l) must be softened. The water is softened with special salt (regeneration salt) in the water softening system

of the dishwasher. The setting and therefore the required amount of salt depends on the degree of hardness of your tap water (see following water hardness table).

* optional feature which may or may not be included with your dishwasher.

Adjusting the water softener settings

Using the test strip included with your dishwasher (Purchased test strips may have a different scale)	Water softener setting	Add salt to salt dispenser	Water hardness	
			°E value	mmol/l
	H:00	No	0-8	0-1.1
	H:01	Yes	9-10	1.2-1.4
	H:02	Yes	11-12	1.5-1.8
	H:03	Yes	13-15	1.9-2.1
	H:04	Yes	16-20	2.2-2.9
	H:05	Yes	21-26	3.0-3.7
	H:06	Yes	27-38	3.8-5.4
	H:07	Yes	39-62	5.5-8.9

Adjusting the water softening system

The amount of salt dispensed can be set from H:00 to H:07. Salt is not required at the set value H:00.

Set the softening system as follows:

1. Ask your local water utility company for the water hardness value of the tap water.
2. Required setting can be found in the water hardness table.
3. Open the door.
4. Press the ON/OFF button 1.
5. Press the **Setup** button for 3 seconds until H:00 is shown on the display window 5.
6. Make the selection with setting buttons + - 6.
7. Press and hold the **Setup** button for 3 seconds. The chosen setting has now been stored.

Using special salt

As soon as the low salt indicator 4 lights up on the digital display, salt should be topped off. Refilling the salt dispenser should be done **before** switching on the appliance. This ensures that extra salt water is washed out and will not corrode the rinsing tank.

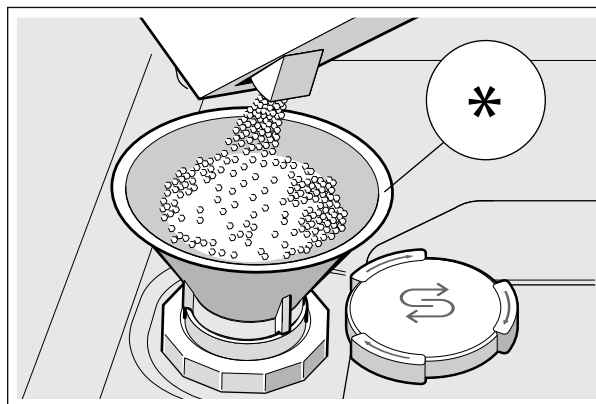
NOTICE: Detergent will destroy the water softening system! Never pour detergent into the salt dispenser.

Top off the salt as follows:

1. Undo the screw plug on the dispenser 26.
2. Fill the dispenser with water (required only when switching on the appliance for the first time).

3. Add salt as illustrated (**do not use table salt or tablets**).

The water is displaced and runs out.



For more information about buying dishwasher salt, please contact **Customer Service** 1-800-944-2904.

Using detergents with salt component

If combined detergents with a salt component are used, special salt can usually be omitted up to a water hardness of 21° dH (37° fH, 26° Clarke, 3.7 mmol/l). If the water hardness is over 21° dH, salt must be used.

Switching off low salt indicator / water softening system

If the use of combined detergents with a salt component impairs the low salt indicator on the digital display , the low salt indicator can be switched off.

Proceed as described under "Setting water softening system" and set the value to *H:00*. The water softening system and salt refill indicator are now switched off.

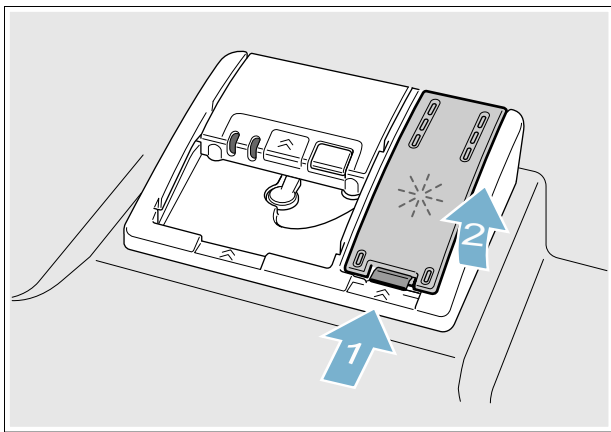
Rinse Aid

As soon as the low rinse aid indicator **[3]** lights up on the control panel, rinse aid should be topped off. The rinse aid is required for stain-free utensils and clear glasses. Use only rinse aid which the manufacturer designates as safe to use in domestic dishwashers. Combined detergents with rinse aid component may be used with soft to moderately hard water only (0-2 bands on test strip or up to an °E value of 20). For moderately hard to hard water (3 to 4 bands on test strip or °E value of 21 or higher), rinse aid must be used.

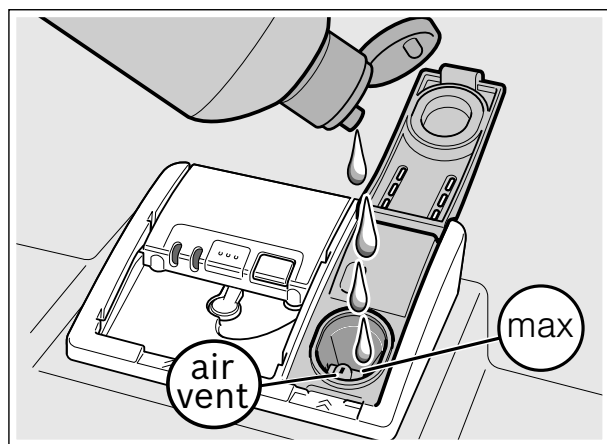
Adding rinse aid

NOTICE: To avoid oversudsing or clogging, do not overfill the rinse aid dispenser **[29]**. Wipe up any spills with a damp cloth.

1. Open the rinse aid dispenser **[29]** by pressing on the latch of the lid and pulling it open.



2. Add liquid rinse aid to the dispenser **[29]** until it is full. Do not overfill. Avoid spilling into air vent hole.



3. Close the lid. Lid must be fully closed until it clicks in order to seal.
4. Wipe up any excess rinse aid that may have puddled when the dispenser reservoir is full. This prevents excessive frothing during the next wash cycle. The indicator light will go out a few moments after the dishwasher door is shut.

Tip: For easier pouring, remove lid from the rinse aid bottle.

NOTICE: Do not fill the rinse aid dispenser **[29]** with detergent. Doing so will damage the dishwasher.

Setting the amount of rinse aid used

The amount of rinse aid to be dispensed can be set from **r:00** to **r:06**. Set the amount of rinse aid to be dispensed to **r:05** to obtain a very good drying result. Do not change the amount of rinse aid unless there are streaks or water stains on the utensils. Set a lower level to avoid streaks. Set a higher level to avoid water stains.

Set the amount of rinse aid as follows:

1. Open the door.
2. Press on ON/OFF button **[1]**.
3. Press the **Setup** button for 3 seconds until **H:00** is shown on the display window **[5]**.
4. Keep pressing the **Setup** button until the rinse aid setting, **r:05** is displayed.
5. Change the setting with the setting buttons **+ - [6]**.
6. Press and hold the **Setup** button for 3 seconds. The chosen setting has now been stored.

Note: Do not change the amount of rinse aid unless there are streaks (select lower setting) or water stains (select higher setting) visible on the utensils.

Turning off rinse aid indicator

Proceed as described in the section "Setting the amount of rinse aid used" and set value to **r:00**. The rinse aid indicator is now turned off.

NOTICE: Using no rinse aid or setting the dispenser to **r:00** may result in longer cycle times consuming more energy and water. The higher temperatures and longer cycle times can damage fine china or glassware.

Loading the Dishwasher

Dishware material

Note: Before using your dishwasher for the first time, check the information in this section. Some items are not dishwasher-safe and should be hand washed; others require special loading.

Recommended	Precaution
Aluminum	Colored anodized aluminum may fade over time. Minerals in your water may cause the aluminum to darken or spot. This can usually be removed with a soap-filled steel wool pad.
China, Crystal, Stoneware	Some hand-painted utensils may discolor, fade or spot. Hand wash these utensils. Position fragile glassware so that it will not topple over or come in contact with other utensils during the wash cycle.
Glass	Make sure to use dishwasher-safe glass. Milk glass may discolor or become yellow.
Non-stick Coatings	Apply a light coating of vegetable oil to non-stick surfaces after drying.
Plastics	Make sure the plasticware is dishwasher-safe.
Stainless Steel, Sterling Silver and Silver Plates	Load these so they do not come in contact with other metals, stainless steel dishwasher tank walls or the inner door.

Not Recommended	Reason
Acrylic	Crazing or small cracks throughout the acrylic, may occur.
Adhesive-Joined Pieces	Adhesives that join materials such as plastic, wood, bone, steel, copper, tin, etc. may loosen.
Bone-Handled Utensils	Handles may separate.
Iron	Iron will rust. Hand wash and dry immediately.
Non-Dishware Items	Your dishwasher is intended for use in cleaning ONLY standard household dishware and kitchenware.
Pewter, Brass, Bronze	These items will tarnish. Hand wash and dry immediately.

Loading the racks

For best dishwashing results, observe the following when loading the dishwasher:

- Do not pre-wash items with loosely attached food soil.
- Remove all food particles, bones, toothpicks and excessive grease.
- Pre-treat items having burned-on, baked-on or starchy soils.
- Load dishes in the dishwasher racks so the insides of bowls, pots and pans are facing the spray arms.
- Avoid nesting and contact points between dishes.
- Separate items of dissimilar metals. Use care to not block movement of the spray arms.
- Only wash household dishware and kitchenware rated as dishwasher-safe.

Refer to the Dishware Materials section for more information about dishware suitability.

NOTICE: To avoid dishwasher damage, do not load the dishwasher with paper products, plastic bags, packing materials or anything other than normal, dishwasher safe dishware and kitchenware.

Loading the upper rack

Ensure items do not protrude through the bottom of the racks and block the spray arms.

Note: When pushing the upper rack [20] into the dishwasher, push it until it stops against the back of the tub so the upper rack spray arm [22] connects to the water supply at the back of the tub. Do not push racks in using the door.

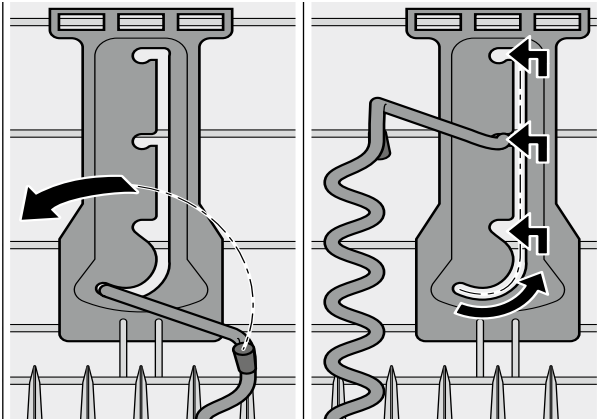
Loading the lower rack

Place large items in the lower rack [28]. Load pots, pans and bowls upside down. Do not block the vent hole [24] with tall baking sheets. Load these items on the right side of the dishwasher.

Loading patterns

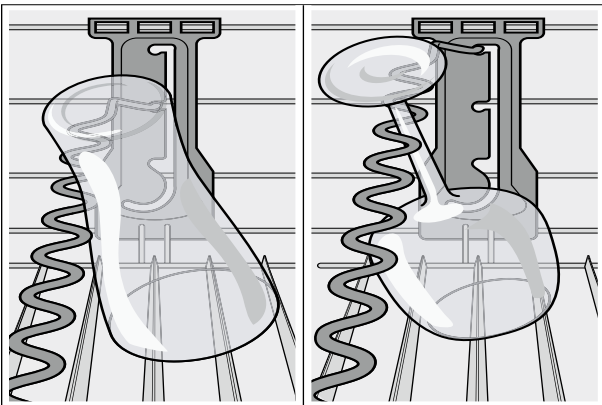
Loading the lower rack

Adjusting the glassware supports



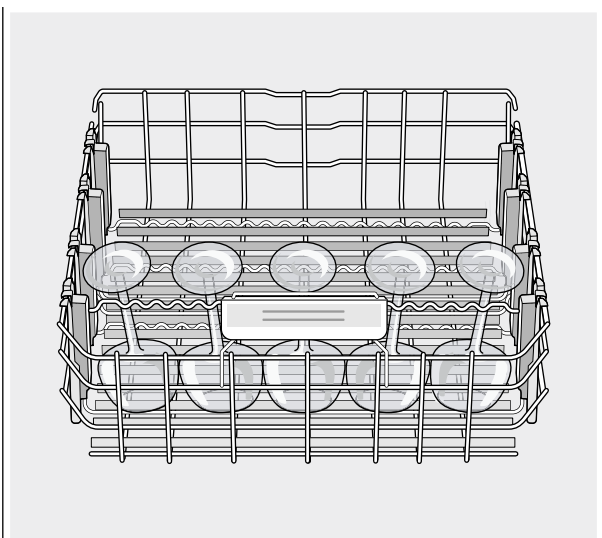
Slide the supports along the curve and up to the desired level. Check to make sure both sides of the support are in the same level.

Choosing the right level for supports



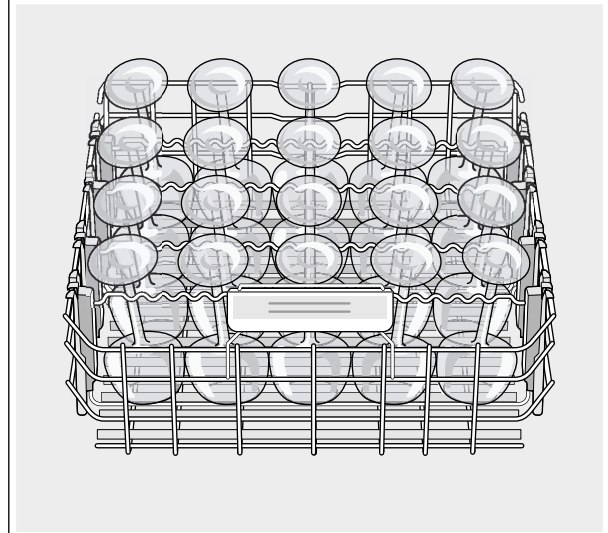
Position the supports at the level which provides the most stability to the glasses while tilted at a slight angle. For stemware, be sure the stem rests in a groove.

Load front row first

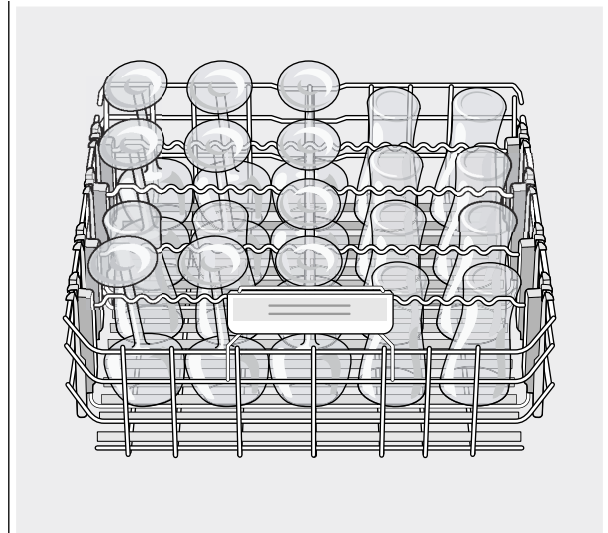


For best results, always load the front row first. When unloading, start with the back row.

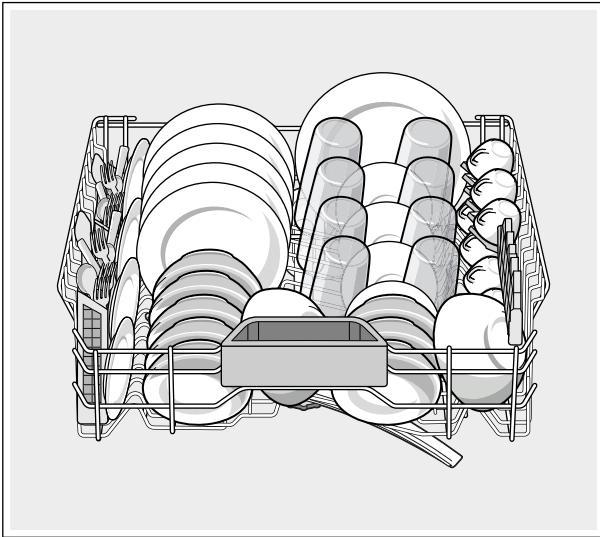
Loading with all stemware



Loading with mixed glassware



Suggested loading pattern for upper rack



Unloading the dishwasher

⚠ CAUTION

Dishes can be very hot immediately after cycle ends. Open the door slightly and allow dishes to cool for a few minutes before unloading.

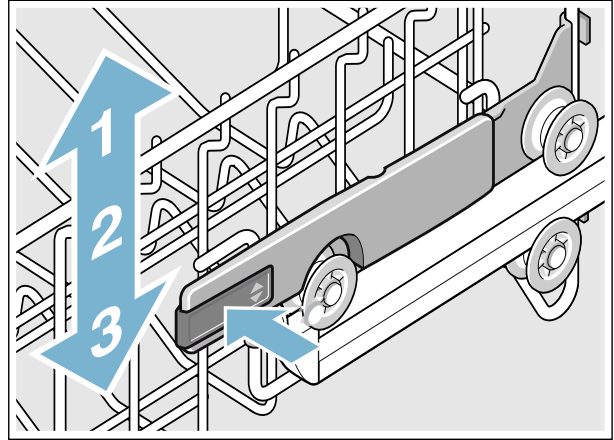
Note: Dishes are more likely to chip when unloading before cooling.

When unloading the dishwasher, to prevent water from dripping onto dry dishes, unload the lower rack [28] first. Next, unload the silverware basket [21] followed by the upper rack [20], and then the third rack (if equipped).

RackMatic®

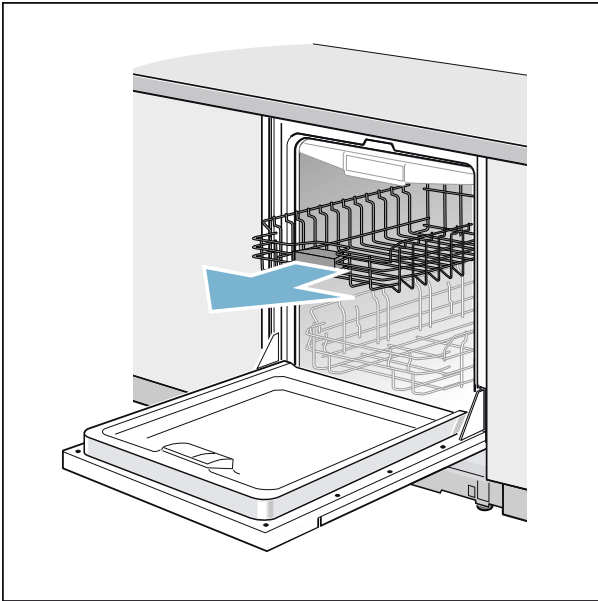
The height of the upper rack [20] can be adjusted in 3 steps to create more space for larger items in the lower rack.

1. Pull the upper rack out of the dishwasher until it stops.
2. To lower the rack, push the RackMatic® lever inward.
3. To raise the rack, hold the basket on the sides of the upper rack and lift it up.



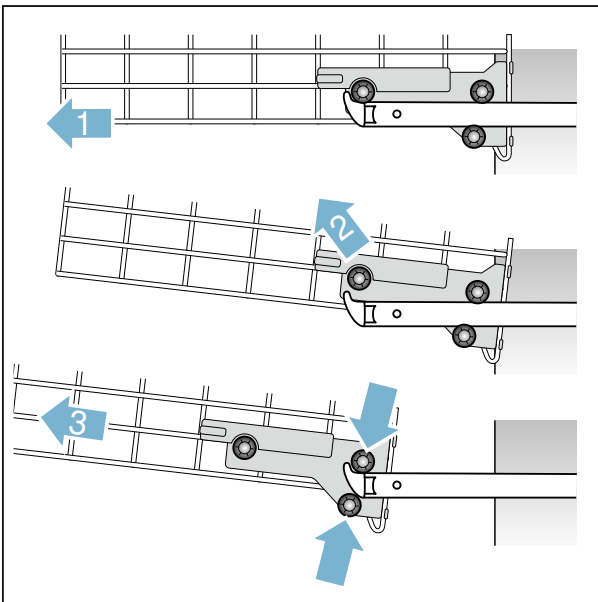
Note: Check spray arm for clearance after adjustment.

Removing/Installing upper rack with Rackmatic®



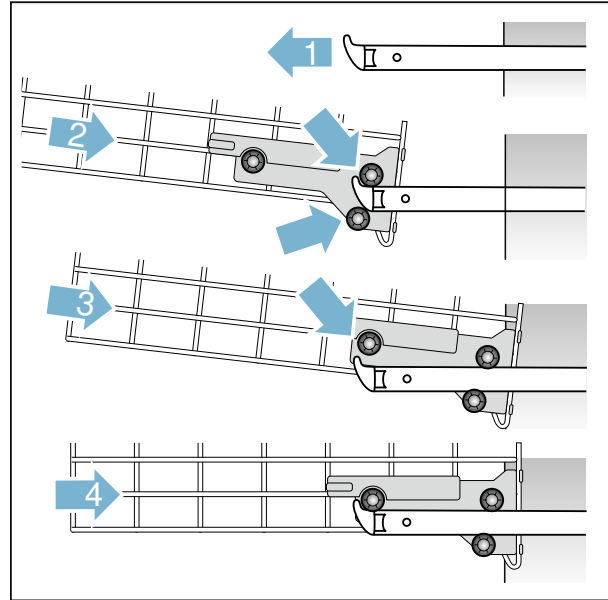
Removing upper rack [20]

1. Pull out upper rack all the way (1).
2. Lift front rollers over the stopper hook of the rail (2).
3. Pull out upper rack forwards and upwards so that the upper and lower rollers of the rack slide over the stopper hooks of both rails (3).



Installing upper rack [20]

1. Pull out upper rack rails all the way (1).
2. Insert upper rack at an angle. Make sure that the stopper hooks of both rails slide in between the upper and lower rollers on the rear side of the rack (2).
3. Slide upper rack in and lift the upper rollers over the front stopper hooks of both rails (3).
4. Push in upper rack (4).



Detergent

Use only detergent specifically designed for dishwashers. For best results, use fresh powdered dishwashing detergent or detergent tabs.

NOTICE: To avoid damage to dishwasher or dishware:

- Do not use hand dishwashing products in your dishwasher.
- Do not use too much detergent if your water is soft. Using too much detergent with soft water may cause etching in glassware and fine china.
- To best protect glassware, use a wash cycle with low temperatures or a specific glass-care cycle (depending on the model) and use a detergent that includes etch protection.

This dishwasher uses less water than most, therefore, less detergent is required. With soft water, 1 tablespoon (15 ml) of detergent will clean most loads. The detergent dispenser cup has lines that measure detergent to 1 tablespoon (15 ml) and 1.75 tablespoons (25 ml). 3 tablespoons (45 ml) of detergent will completely fill the detergent dispenser.

Note: If you do not know the hardness of your water supply, use 15 ml of detergent. Increase the amount if necessary to the least amount required to get your kitchenware clean.

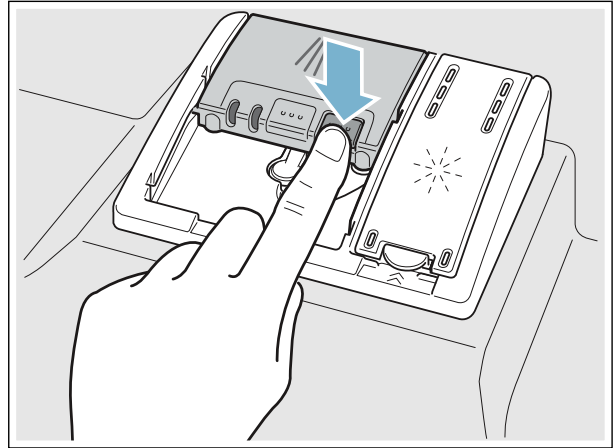
Use the measuring lines in the detergent dispenser cup as a guide to measure the amount of detergent recommended in the following table.

Wash Cycle	Hard Water/ Heavy Soil	Medium Water/ Medium Soil	Soft Water/ Little Soil
Auto	3 tbsp (45 ml)	1.75-3 tbsp (25-45 ml)	1-1.75 tbsp (15 - 25 ml)
Normal	1.75-3 tbsp (25 - 45 ml)	1.75 tbsp (25 ml)	1-1.75 tbsp (15 - 25 ml)
Glass	1.5-2.75 tbsp (22 - 40 ml)	1.35-1.75 tbsp (20 - 25 ml)	1-1.5 tbsp (15 - 22 ml)
Star Speed	1.75 tbsp (25 ml)	1-1.75 tbsp (15 - 25 ml)	1 tbsp (15 ml)
1 Hour	1.75 tbsp (25 ml)	1-1.75 tbsp (15 - 25 ml)	1 tbsp (15 ml)
Quick	1.75 tbsp (25 ml)	1-1.75 tbsp (15 - 25 ml)	1 tbsp (15 ml)
Rinse	none	none	none

Adding detergent

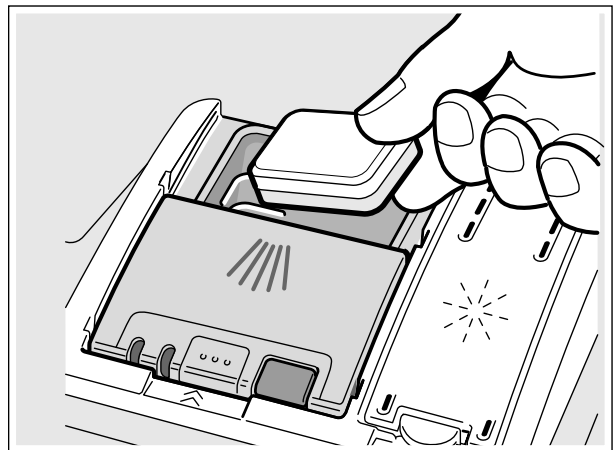
1. If the detergent dispenser [30] is still closed, push the button [31] to open it.

Note: Make sure the detergent dispenser is dry and clear of detergent residue.

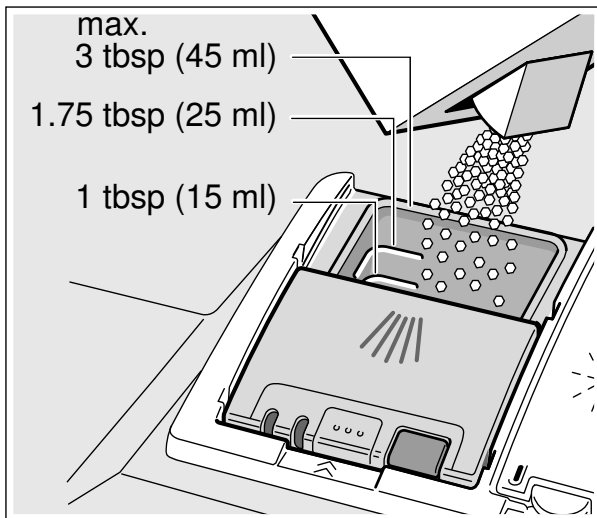


2. When using detergent tabs, lay them such that they do not come in contact with the cover, insert a detergent tab flat, not on its side.

Note: Do not place detergent tabs or utensils in the detergent tab tray [23]. Place tabs or other detergent forms directly in the detergent dispenser [30].

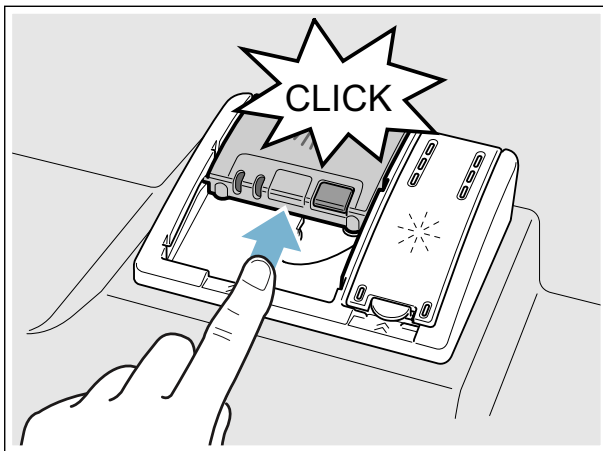


Pour detergent into the detergent dispenser [30] only.
Do not overfill the detergent dispenser.



Dosage: see manufacturer's instructions on the packaging.

3. Close the lid by placing the finger on the lid as shown. Slide the lid closed and press down firmly until it clicks.



The detergent dispenser will open automatically at the ideal time for the set cycle. The powder or liquid detergent is distributed in the appliance and is dissolved, detergent tabs will fall into the detergent tab tray [23] where it dissolves during the cycle.

Tip: If the dishware is only lightly soiled, slightly less than the indicated amount of detergent is usually adequate.

Dishwasher Cycles

Note: In order to save energy, it is recommended to set the **Auto Power Off** feature to “after one minute.”

Wash cycle	Recommended use	Possible wash cycle option
Auto *	Smartest cycle, with most flexible soil sensing, which is ideal for mixed dishware and food soils.	all
Normal * (see note at bottom of table)	Recommended for daily, regular or typical use to completely wash a full load of normally soiled dishes.	all Note : In order to obtain optimal performance with minimum energy consumption, it is recommended to disable all available options and settings, except Auto Power Off set to “after one minute.”
Glass	Best for stemware, glasses and other delicate dishware, this cycle cleans at a lower temperature to protect dishes.	all except Sanitize
Star Speed	A full hot water cycle in 20 minutes - the fastest in the industry. Innovative water-preheating allows you to wash multiple loads, back to back, to complete your washing needs in record time. For best results, run this cycle with lightly soiled dishes and use liquid or powder detergent.	Delay, Extra Dry
1 Hour	Cleans freshly soiled dishes with easy to remove soils. This cycle reduces cycle time while still including drying.	Delay, Extra Dry, Extra Shine
Quick	Cleans lightly soiled dishes and reduces overall wash time to 30 minutes.	Delay, Extra Dry, Extra Shine
Rinse	Use this cycle if you need to rinse dishes to avoid odors. Place unrinsed dishes inside the dishwasher and select the Rinse cycle. Uses less water than hand rinsing and very low energy.	Delay

*The cycle is sanitized when Sanitize option is used.

Note: The Energy Guide label was based on the **Normal** soil sensing cycle as follows: The unit was tested without any rinse aid (liquid) in the rinse aid dispenser [29]. A single dose of detergent was inserted into the detergent dispenser [30], with no detergent being used in the prewash. The unit was not subjected to truncated testing per the definitions in the test procedure. We recommend that dish loads such as the one in the energy certification test have the rack position set in the highest position.

Dishwasher Cycle Options

PowerBoost®

Perfect for a mixed load. You can wash very soiled pots and pans in the lower rack together with normally soiled utensils in the upper rack. The spray pressure in the lower rack is intensified, the rinsing temperature is increased slightly.

Half Load

Can reduce water consumption when washing small, lightly soiled loads that fill approximately half or less of the dishwasher's capacity.

Sanitize

Increases the temperatures and retains them for an extra long time to obtain a defined disinfecting performance. Continuous use of this function increases the hygiene status. This additional option is ideal for cleaning items such as chopping boards and baby bottles.

Using the Sanitize option may also improve drying. The cycle time and energy usage may be increased.

Extra Dry

An increased temperature during the final rinse and an extended drying phase ensure that plastic parts dry better. There is a slight increase in the energy consumption.

Extra Shine

Produces superior results for shiny glasses and dishes, with a slight increase in water usage. For best results, use with rinse aid.

Wash Cycle Information

To save energy, this dishwasher has EcoSense where the sensors in the dishwasher automatically adjust the cycle length, temperature and water changes based on the amount of food soil and the incoming water temperature. The "Smart Control" makes decisions that can cause the cycle time and water usage to adjust intermittently. **Wash cycle times are based on 120°F (49° C) water supply.** If your household water supply is different than 120°F (49° C), your dishwasher's cycle times may be impacted.

	AUTO	Normal	Glass	StarSpeed	1 Hour	Quick	Rinse
Cycle time in min.	105 - 129	130 - 135	80-85	20	60	35	9
Water cons. in L (gal)	10.8-22 (2.9-5.8)	9.1-21.2 (2.4-5.6)	9-14.2 (2.4-3.8)	5.5 (1.5)	14.3 (3.8)	10.3 (2.7)	4.1 (1.1)
Wash temp. in °F (°C)	127-131 (53-55)	113-131 (45-55)	113-122 (45-50)	122 (50)	122 (50)	113 (45)	incoming
Rinse temp. in °F (°C)	153-162 (67-72)	147-156 (64-69)	144 (62)	135 (57)	158 (70)	126 (52)	incoming
Power Boost							
Cycle time in min.	120-145	145-150	95-100	N/A	N/A	N/A	N/A
Water cons. in L (gal)	11.2-22 (3-5.8)	9.1-21.2 (2.4-5.6)	9-14.2 (2.4-3.8)	N/A	N/A	N/A	N/A
Rinse temp. in °F (°C)	153-162 (67-72)	147-156 (64-69)	144 (62)	N/A	N/A	N/A	N/A
Half Load							
Cycle time in min.	95-115	115-120	75-80	N/A	N/A	N/A	N/A
Water cons. in L (gal)	8.1-14.4 (2.1-3.8)	10.8-13.9 (2.9-3.7)	9-12.2 (2.4-3.8)	N/A	N/A	N/A	N/A
Rinse temp. in °F (°C)	158-162 (70-72)	162 (72)	144 (62)	N/A	N/A	N/A	N/A
Sanitize							
Cycle time in min.	140-155	140-155	N/A	N/A	N/A	N/A	N/A
Water cons. in L (gal)	10.8-22 (2.9-5.8)	9.1-21.2 (2.4-5.6)	N/A	N/A	N/A	N/A	N/A
Rinse temp. in °F (°C)	162 (72)	162 (72)	N/A	N/A	N/A	N/A	N/A

	AUTO	Normal	Glass	StarSpeed	1 Hour	Quick	Rinse
Extra Dry							
Cycle time in min.	140-155	140-155	110-115	30	90	65	N/A
Water cons. in L (gal)	10.8-22 (2.9-5.8)	9.1-201.2 (2.4-5.6)	9-14.2 (2.4-3.8)	5.5 (1.5)	14.3 (3.8)	10.3 (2.7)	N/A
Rinse temp. in °F (°C)	162 (72)	162 (72)	162 (72)	135 (57)	162 (72)	162 (72)	N/A
Extra Shine							
Cycle time in min.	115-139	130-135	75-85	N/A	70	50	N/A
Water cons. in L (gal)	14.1-25.3 (3-4.7)	9.1-21.2 (2.4-5.6)	12.5-15.8 (3.3-4.2)	N/A	17.6 (4.6)	13.6 (3.6)	N/A
Rinse temp. in °F (°C)	136 (58)	154-156 (68-69)	145 (63)	N/A	158 (70)	126 (52)	N/A

Note: Only sanitizing cycles have been designed to meet the requirements of Section 6 of the NSF/ANSI 184 Standard for Residential Dishwashers for soil removal and sanitization efficacy. There is no intention, either directly or indirectly, to imply that all cycles have passed sanitization performance tests.

Operating the Dishwasher

Note: With hidden controls, the door must be opened before changing settings and closed after changing settings.

⚠ WARNING

RISK OF INJURY

To avoid risk of injury, always use caution when opening the door during or following a wash cycle as hot water or steam may escape. Do not fully open the door until water noises have stopped and steam has subsided.

To reduce risk of injury, do not allow children to play in or on the dishwasher.

When children become old enough to operate the appliance, it is the responsibility of the parents/legal guardians to ensure the children are instructed in safe practices by qualified persons.

Protection against unintentional operation

Your dishwasher is equipped with a function that helps to prevent unintentional operation (e.g. by children).

After starting the dishwasher, the dishwasher door has to be closed within 4 seconds, otherwise the operation will be paused. There will be a signal on the control panel advising you to press the Start button again and close the door.

This function will be activated when:

- pressing Start to begin a wash cycle
- setting Delay time and pressing Start
- opening the door while Delay time is active
- opening the door during a wash cycle.

Note: This function cannot be deactivated.

Operating the touch buttons

Buttons are sensitive and should be touched gently. Avoid any grease or food particles resting on the buttons as they could activate the dishwasher.

Wiping and cleaning can also activate the dishwasher. For best results, use bare, clean hands when touching the buttons.

To clean the touch buttons wipe them with a dry or slightly damp cloth.

Changing the settings

The dishwasher has been preset with certain settings for your convenience. You can change these factory settings.

Here's how to change the settings:

1. Switch on ON/OFF switch 1.
2. Press and hold the **setup 3 sec.** button for 3 seconds. In the display window 5 you will see **H:0...** and **set**.
3. Press the **setup 3 sec.** button to access the individual settings.
4. Adjust the setting using the buttons - and + 6.
5. Press and hold the **setup 3 sec.** button for 3 seconds. The chosen setting has now been stored in your dishwasher.

AquaSensor

The AquaSensor is an optical measuring device which measures the cleanliness of the rinse water.

The AquaSensor is used according to the wash cycle. If the AquaSensor is active, "clean" rinse water can be transferred to the next rinse and water consumption can be reduced by 0.8–1.5 gal (3–6 liters). If the rinse water is not yet clear, the water is drained and is replaced with fresh water. In the automatic wash cycles the temperature and running time can also be adjusted to the degree of soiling.

Sensor setting

In its automatic programs the appliance uses sensors to optimise their operation. The sensors adjust the strength of the automatic programs according to the amount and type of soiling. You can choose from three levels of sensitivity for the sensors.

Sensor setting 5E:00: This setting is ideal for a mixed load and heavily soiled utensils, but it also saves energy and water.

Sensor setting 5E:01: This setting adjusts the programme strength for the effective removal of food remnants, even if the amount of soiling is low. The energy and water consumption is adjusted accordingly.

Sensor setting 5E:02: This setting adjusts the program strength for difficult conditions of use, for example firmly dried on food remnants. This setting is recommended if you are using biological or eco detergents which contain smaller quantities of active agents. The energy and water consumption is adjusted accordingly.

Time display

When a wash cycle is selected the remaining wash cycle time is shown on the display 5.

The wash cycle time is determined during the wash cycle by the water temperature, the amount of dishes, as well as the degree of soiling and may vary (depending on the selected wash cycle).

Delay Start

You can delay the start of the cycle in one hour increments up to 24 hours.

h:01 1 hour delay

h:24 24 hours delay

To set Delay start:

1. Open the door and press the **On/Off** button 1. Select a cycle.
2. Press the **Delay** button from the wash cycle options 9 until the displayed time corresponds with your requirements.
3. Press the **Start** button 10 to activate Delay start.

To cancel Delay start:

1. Open the door and press the **Delay** button until *h:00* is indicated on the digital display 5.
2. Press the **Start** button 10 to save setting.

Wash cycle end

The wash cycle has ended when the display 5 reads *0:00*.

If the signal tone has been set, the wash cycle end is also indicated by a buzzer.

SL:00 Off

SL:01 low

SL:02 medium

SL:03 loud

Auto power off

To save energy, the dishwasher is switched off 1 minute after the cycle ends. You can also change this setting.

Possible settings are:

- *P:00*: The dishwasher does not switch off automatically.
- *P:01*: The dishwasher switches off after 1 minute.
- *P:02*: The dishwasher switches off after 2 hours.

Switching off the appliance

Short time after the end of the wash cycle:

1. Open the door.
2. Switch off On/Off button 1.
3. Turn off water supply.
4. Remove the utensils when they have cooled down.

▲ WARNING

RISK OF INJURY

To avoid risk of injury, always use caution when opening the door during or following a wash cycle as hot water or steam may escape. Do not fully open the door until water noises have stopped and steam has subsided.

To reduce risk of injury, do not allow children to play in or on the dishwasher.

When children become old enough to operate the appliance, it is the responsibility of the parents/legal guardians to ensure the children are instructed in safe practices by qualified persons.

Interrupting the wash cycle

▲ CAUTION

Expansion (overpressure) may cause the appliance door to open and/or water to escape! If the door was opened on an appliance which has a hot water connection or is heated, always leave the door ajar for several minutes and then close.

1. Open the door.
2. Switch off On/Off switch 1.
The LED's go out. The wash cycle is saved.
3. To continue the wash cycle, switch on the On/Off switch 1 again.
4. Close the door.

Note: Your dishwasher is protected against unintentional operation. If the appliance door remains open for more than 4 seconds after pressing the Start button, the operation will be paused. Press the Start button again and close the appliance door.

Cancel a cycle (Reset)

1. Open the door and press and hold **Start** button 10 for approximately 3 seconds until the display reads *0:01*, then close door again.
2. Wait about 1 minute while the dishwasher drains.
3. Open the door and press the **On/Off** button 1.

Changing the wash cycle

When the **Start** button 1 has been pressed, the wash cycle cannot be changed. The only way a wash cycle can be changed is by terminating the wash cycle (Reset).

Intensive drying

The final rinse uses a higher temperature which improves the drying result (be careful if you have delicate dishware or utensils). The running time may increase slightly. You can switch the function ExtraDry on *d:01* or off *d:00*.

InfoLight® *

While the wash cycle is running, a light spot shines on the floor under the appliance door. Do not open the appliance door until the light point is no longer visible on the floor. If the appliance door is not completely closed, the light spot flashes. In darkened rooms, some light scattering may be visible; this is normal.

You can switch the Infolight on **1:01** or off **1:00**.

* optional feature which may or may not be included with your dishwasher.

Time Remaining Power Beam® (Optical display while the wash cycle is running) *

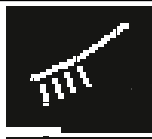
While wash cycle is running, an optical display (time remaining alternating with cycle indicator images) is projected onto the floor under the appliance door.

You can switch the optical display on **5:01** or off **5:00**.

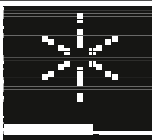
All time remaining displays



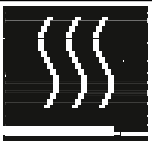
Pre-wash



Cleaning



Rinsing



Drying

* optional feature which may or may not be included with your dishwasher.

Care and Maintenance

A regular inspection and maintenance of your machine will help to prevent faults. This saves time and prevents future problems.

Cleaning the dishwasher

- Regularly wipe the front of the appliance with a damp cloth - water and a small amount of liquid soap is adequate.
- For stainless steel appliances (excluding black stainless), use a stainless steel polish to seal and protect the surface.
- Clean the outer edges of the inside door panel regularly to remove debris that may collect from normal loading. If spots begin to appear on the stainless steel, make sure the rinse agent is full and functioning properly.
- Clean the door seal regularly with a damp cloth to remove food particles that may collect from normal loading and cause odor. A soiled door seal may not seal properly.

NOTICES

- Never use a steam cleaner to clean your dishwasher. The manufacturer is not liable for any resulting damage.
- Do not use sponges as they could scratch the surfaces.
- Do not use bleach-based cleaners or wipes as they could damage the surface or printing.
- Do not use stainless steel polish on a black stainless finish.

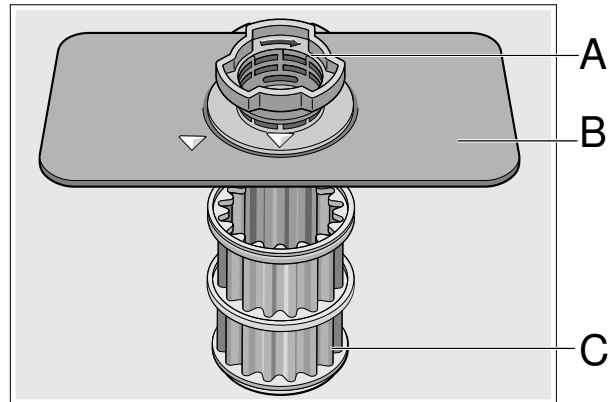
⚠ WARNING

Use caution when removing parts for cleaning as some debris may be sharp.

Filters

Filter components

The filter system **27** consists of three parts.



A Large Object Trap

Prevents objects that should not be placed in your dishwasher from damaging the dishwasher pump system or clogging your household drain.

B Flat Fine Filter

Prevents food particles from entering the wash chamber and directs particles toward the micro filter.

C Micro Filter

Directs the smallest of particles to the household plumbing drain.

Cleaning intervals

The filter system [27] is designed to minimize maintenance while providing premium cleaning performance and minimum energy consumption. Depending on use habits and water hardness, the filter system will require some maintenance to sustain premium cleaning performance.

Your filter system may need to be cleaned when:

- You notice food soils remaining on the filter system or objects trapped in the Large Object Trap.
- A drop in cleaning performance or a gritty film forms on the dishware.

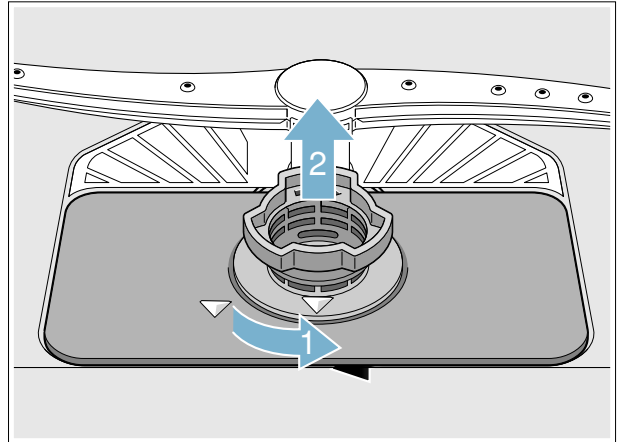
When washing normally attached food soils that have been scraped before loading, in a household that runs the dishwasher every other day, your filter should be cleaned:

Cleaning interval	Usage
3- 6 times a year	light to average use
8-12 times a year	heavy use

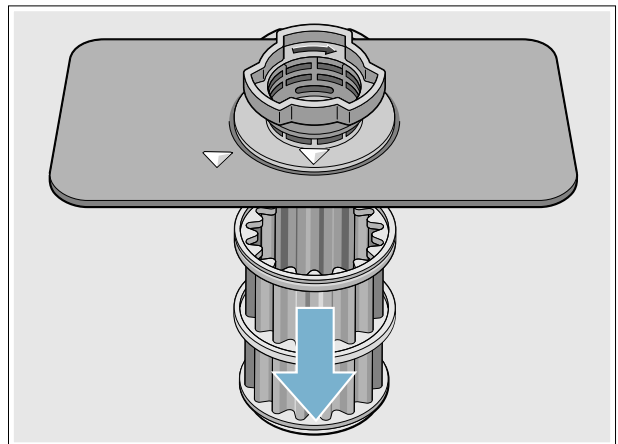
Note: Clean the filter after washing loads with large amounts of food soils or loads with a heavy starch content to maintain optimal performance.

To check or clean the filter system:

1. After each wash cycle check the filters for residue.
2. Unscrew the Large Object Trap as illustrated and remove the entire filter system.



3. Remove the microfilter from the fine filter for easier cleaning.



4. Rinse the filters under running water and use a soft brush to clean.

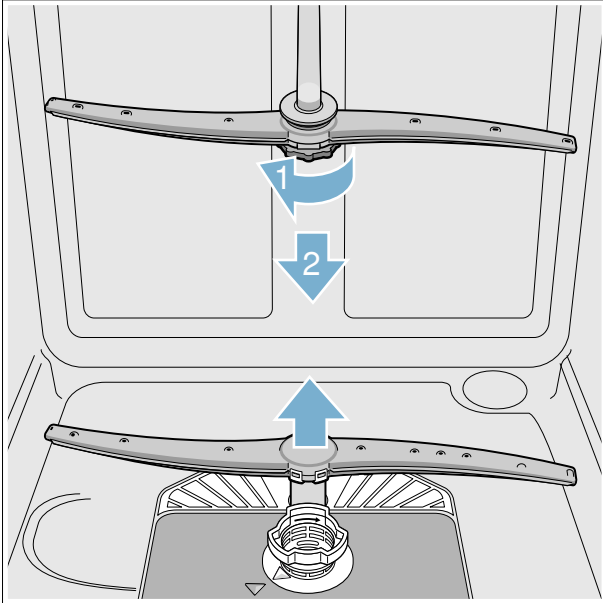
Note: do not use abrasive brushes or steel wool, etc., as they may damage the filter.

5. Reinstall the filter system in reverse sequence and lock into place by screwing the Large Object Trap until the marking arrows align.

Spray arms

Limescale and contaminants in the rinsing water may block nozzles and bearings on the spray arms [22] and [25].

1. Check outlet nozzles on the spray arms for blockages.
2. Unscrew the upper spray arm [22] (1) and remove downwards (2).
3. Remove the lower spray arm [25] upwards.



4. Clean spray arms under running water.
5. Re-engage or screw on spray arms.

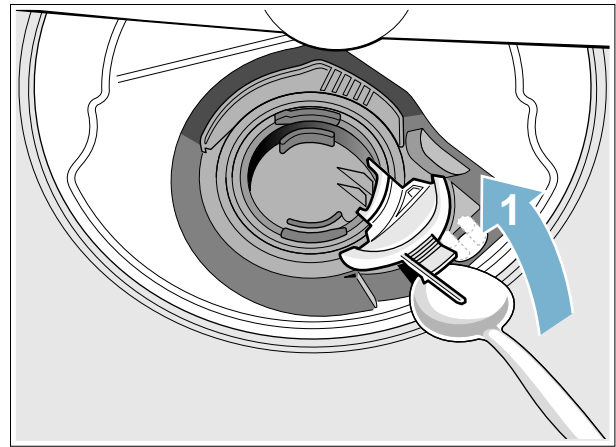
Drain pump

Large food remnants in the rinsing water not retained by the filters may block the waste water pump. In this case:

▲ WARNING

Use caution when removing parts for cleaning as some debris may be sharp.

1. Disconnect the appliance from the power supply.
2. Take out upper rack [20] and lower rack [28].
3. Remove the filters [27].
4. Scoop out standing water - use a sponge if necessary.
5. Using a spoon, pry off the pump cover (as shown) until it clicks, then grip the cover and pull upward until it resists and then pull forward (1). Remove cover completely.

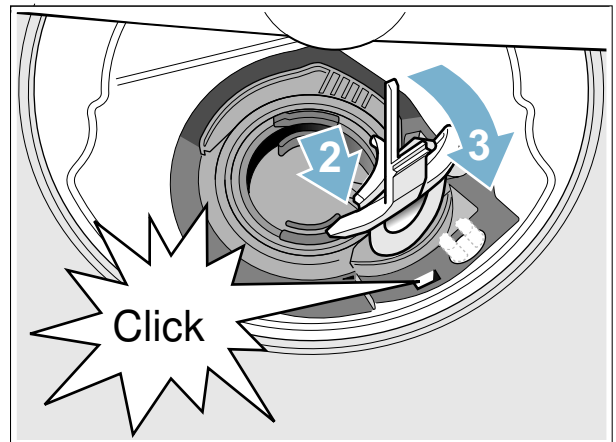


6. Check inner compartment and remove any foreign objects.

▲ WARNING

Use caution when removing parts for cleaning as some debris may be sharp.

7. Place pump cover in the original position (2) and press down until it engages (3).



8. Place cover in the original position, press down and engage.
9. Reinstall filters.
10. Re-insert racks.

Note: The drain pump will not work properly if the drain pump cover is not snapped in completely until it clicks.

Preparing your unit for vacation

NOTICE: Before leaving for vacation during warmer weather, besides turning off the main valve, also turn off water supply at the nearest point to the dishwasher. Do not leave soiled dishware in unit and leave door slightly open. During colder weather, please follow the instructions for winterizing your unit below.

Winterizing your unit

NOTICE: If your dishwasher will be unused for a period of time in a location that experiences freezing temperatures (holiday home or through a vacation period), have your dishwasher winterized by a professional service.

Troubleshooting

Dishwashers may occasionally exhibit problems that are unrelated to a malfunction of the dishwasher itself. The following information may help you with a dishwasher problem without involving a repair professional.

Note: If the appliance stops during dishwashing or does not start for any obvious reason, first run the cancel wash cycle function (Reset).

▲ WARNING

IMPROPER REPAIRS OR USE OF NON-ORIGINAL REPLACEMENT PARTS MAY CAUSE

CONSIDERABLE DAMAGE AND PUT THE USER AT CONSIDERABLE RISK

Always have repairs carried out by authorized technicians. If a component has to be replaced, always use original replacement parts.

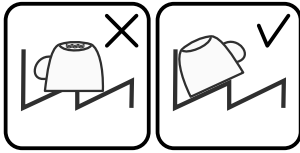
Error message

Some faults are indicated at the top of the display window [5] and on the front display * [13] and possible remedies are offered (for example Filter system soiled (E22) → Clean filters).

* optional feature which may or may not be included with your dishwasher.

Fault table

Fault	Cause	Remedial action
Error code E:18 is lit.	Supply hose kinked.	Install supply hose without kinks.
	Tap turned off.	Turn on the tap.
	Tap jammed or calcified.	Turn on the tap. Flow rate must be min. 10 l/min. when water supply is open.
Error code E:07 is lit.	Intake opening (on right inside of appliance) covered by dishes.	Arrange dishes so that the intake opening is not obstructed.
Error code E:22 is lit.	Filters [27] are soiled or blocked.	Clean filters.
Error code E:24 is lit.	Waste-water hose kinked or blocked.	Install hose without kinks, remove any residue.
	Siphon connection still sealed.	Check connection to siphon and open if required.
	Cover on the drain pump loose.	Lock cover correctly.
Error code E:25 is lit.	Drain pump blocked or cover on the drain pump is not locked in position.	Clean pump and lock cover correctly.
Error code E:27 is lit.	Supply voltage too low.	Not an appliance fault, have the mains voltage and electrical installation checked.
A different error code is indicated on the digital display. (E:01 to E:30)	A technical fault has probably occurred.	Switch off appliances with the ON/OFF switch [1]. After a short time restart the appliance. If the problem recurs, turn off the tap and pull out the mains plug. Call customer service and mention the error code.
Refill indicator for salt [4] and/or rinse-aid [3] is lit.	No rinse aid.	Refill rinse aid.
	No salt.	Refill with special salt.
	Sensor does not detect salt tablets.	Use different special salt.
Refill indicator for salt [4] and/or rinse-aid [3] is not lit.	Refill indicator switched off.	Activation/deactivation.
	There is still enough special salt/ rinse aid available.	Check refill indicator, levels.
Water is left in the appliance at the end of the wash cycle.	Filter system or area under the filters [27] is blocked.	Clean filters and area underneath.
	Wash cycle has not ended yet.	Wait until wash cycle ends or reset.

Fault	Cause	Remedial action
Dishes not dry.	No or too little rinse aid in the dispenser.	Refill rinse aid.
	Wash cycle selected without drying.	Select wash cycle with drying.
	Water collecting in depressions on the dishes and silverware.	Arrange dishes in a sloping position, arrange affected dishes as sloping as possible.
		
	The combined detergent used has a poor drying performance.	Use different combination detergent with better drying performance. Use of rinse aid also increases the drying performance.
	extraDry to increase drying not activated.	Activate extraDry.
	Dishes were removed too early or drying process had not ended yet.	Wait until wash cycle ends or wait until 30 min after wash cycle ends before removing dishes.
	The eco rinse aid used has a limited drying performance.	Use a commercial brand of rinse aid. Eco products may have limited effectiveness.
Plastic dishes not dry.	Special properties of plastic.	Plastics do not dry well because they do not hold heat.
Silverware not dry.	Silverware not arranged properly in the silverware basket.	Separate silverware if possible, prevent contact points.
	Silverware not arranged properly in the third rack.	Arrange silverware properly and separate if possible.
Appliance interior wet after rinse cycle.	No appliance fault.	Dishwashers use "condensation drying," where humid air condenses on tub walls so it can drain and be pumped out.
Food soils on the dishes.	Dishes placed too closely together, racks overfilled.	Arrange dishes with adequate clearance between them ensuring that the spray jets can reach the surface of the dishes. Prevent contact points.
	Spray arm rotation obstructed.	Arrange dishes so that the spray arm can rotate without obstruction.
	Spray arm nozzles are blocked.	Clean the spray arm nozzles.
	Filters 27 dirty.	Clean filters.
	Filters 27 inserted incorrectly and/or not engaged.	Insert and engage filters correctly.
	Rinse wash cycle too weak.	Select a more intensive rinse cycle. Increase sensitivity of the sensors.
	Dishes precleaned too intensely; sensors therefore decide on weak wash cycle sequence. Stubborn soiling cannot be completely removed.	Do not prerinse dishes. Remove only large food soils. Increase sensitivity of the sensors. Recommended wash cycle "Regular" or Intensive.
	Tall narrow containers in corner areas are not rinsed adequately.	Do not tilt containers and do not place in the corner area.
	Upper rack 20 on right and left not set to same height.	Set upper rack to same height using side levers.

Fault	Cause	Remedial action
Dishwasher seems to run a long time.	Incoming water is not warm enough.	Before starting a cycle, run hot water faucet at the sink closest to the dishwasher.
	Cycle time can vary due to soil and water conditions.	Sensors in the dishwasher automatically increase the cycle time to ensure a good wash when heavy soil is detected.
	Rinse aid dispenser [29] is empty.	Add rinse aid.
	Dishwasher connected to cold water supply.	Verify dishwasher is connected to hot water supply plumbing.
	Note: : Check the typical wash cycle length.	
Detergent residue.	Detergent dispenser cover [30] blocked by dishes and therefore does not open fully.	Dishes must not be placed above the detergent tab tray [23]. These may block the lid of the detergent dispenser and prevent it from opening fully. Do not place dishes or fragrance dispenser in the detergent tab tray.
	Detergent dispenser cover [30] blocked by the detergent tab.	Detergent tab must be inserted flat and not upright.
	Detergent tab used in the quick or short wash cycle.	Dissolving time of detergent tab too long for a quick or short wash cycle.
	Dissolving time of the detergent is not reached in the selected short wash cycle.	Use a detergent powder or select a more intensive wash cycle.
	Washing effect and dissolving performance are reduced after a prolonged storage time or detergent is very lumpy.	Change detergent.
Water stains on plastic parts.	Droplet formation on plastic surface is physically unavoidable. After drying, water stains are visible.	Use a more intensive wash cycle (more water changes). Arrange dishes in a sloping position. Use rinse aid. If required, increase softening setting.
Washable or water-soluble coatings in the container or on the door.	Detergent substances are deposited. These coatings cannot usually be removed with chemicals (appliance cleaner, ...).	Change detergent brand. Clean appliance mechanically.
	If there is a "white coating" on the container floor, the water softening system has been set very low.	Increase softening setting and change detergent if required.
	Salt dispenser cover [26] not closed.	Close salt dispenser cover correctly.
	Only for glasses: Initial glass corrosion – can only apparently be wiped off.	See "Glass and silverware damage".
White limescale on the dishes, tub, racks or door.	White residue coats dishwasher interior and racks wheels squeak from lime scale deposits in hard water.	Use dishwasher cleaner every few months. If dishwasher has a water softener, increase the setting.
	Hard water kept 3 in 1 detergent or bio/eco detergent from being effective.	Use separate dishwasher detergent, rinse aid and dishwasher softener salt (if dishwasher has a softener).
	Underdosing of detergent.	Use more detergent or change to a more effective detergent.
	Rinse temperature is too low.	Select a more intensive wash cycles with higher washing temperatures.

Fault	Cause	Remedial action
Tea or lipstick residue on the dishes.	Too low rinsing temperature.	Select wash cycle with higher washing temperature.
	Too little or unsuitable detergent.	Use suitable detergent at correct dosage.
	Dishes precleaned too intensely; sensors therefore decide on weak wash cycle sequence. Stubborn soiling cannot be completely removed.	Do not prerinse dishes. Remove only large food soils. Increase sensitivity of the sensors. Recommended wash cycle "Regular".
Colored (blue, yellow, brown), film in the dishwasher or on stainless steel cutlery/cookware.	Film from mixture of food and mineral deposits.	Can be partly removed with dishwasher cleaner or by mechanical cleaning.
	Film formed by oxidation of silver or aluminum cookware.	Can be partly removed with dishwasher cleaner or by mechanical cleaning.
Colored (yellow, orange, brown), easily removable film inside the appliance (mainly in the floor area).	Soapy film from mixture of food and hard water.	Use water softener* - refill with salt or increase setting where necessary. Use dishwasher detergent instead of a 3 in 1 or Eco detergent.
Plastic parts stained or discolored.	Plastic parts inside the appliance may become discolored during the service life of the dishwasher.	Discoloration is normal and will not impair the function of the dishwasher.
	Too low rinsing temperature.	Select wash cycle with higher washing temperature.
	Dishes precleaned too intensely; sensors therefore decide on weak wash cycle sequence. Stubborn soiling cannot be completely removed.	Do not prerinse dishes. Remove only large food soils. Increase sensitivity of the sensors. Recommended wash cycle "Regular".
Removable streaks on glasses, glasses with metallic appearance and silverware.	Too much rinse aid.	Set rinse aid amount to lower setting.
	No rinse aid added or setting too low.	Add rinse aid and check dosage (recommended setting 4–5).
	Detergent residue in the final rinse wash cycle section. Detergent dispenser cover blocked by dishes (cover does not open fully).	Detergent dispenser cover must not be obstructed by dishes. Do not place dishes or fragrance dispenser in the detergent tab tray.
	Dishes precleaned too intensely; sensors therefore decide on weak wash cycle sequence. Stubborn soiling cannot be completely removed.	Do not prerinse dishes. Remove only large food soils. Increase sensitivity of the sensors. Recommended wash cycle "Regular".
Initial or existing, irreversible clouding of glass.	Glasses not dishwasher-proof, only suitable for dishwasher.	Use dishwasher-proof glasses. Avoid long steam phase (standing time after wash cycle ends). Use wash cycle at lower temperature. Set water softening system according to the water hardness (if required one setting lower). Use detergent with glass protection component.
Rust spots on the silverware.	Silverware not adequately rust-resistant. Knife blades are frequently more severely affected.	Use corrosion-resistant silverware.
	Silverware will also rust if rusting parts are rinsed at the same time (pan handles, damaged utensil baskets, etc.).	Do not wash rusting parts.
	Salt content in the rinsing water too high, as salt dispenser lock not fastened firmly or salt was spilled while being refilled.	Fasten salt dispenser lock firmly or remove spilled salt.

Fault	Cause	Remedial action
Appliance cannot be switched on or operated.	Malfunction.	Disconnect appliance from the power supply; pull out the mains plug or switch off the fuse. Wait at least 5 seconds, then connect the appliance to the power supply.
Appliance does not start.	Mains fuse may have been blown or circuit breaker tripped.	Check mains fuse or circuit breaker.
	Door may not be properly latched.	Press the main power switch to turn unit on.
	Unit may not be turned on.	Shut door completely.
	Delay start may be engaged.	To reset, refer to "Delay start" section in this manual.
	Child lock is activated.	Deactivate the child lock. Refer to "Child Lock" section in this manual if applicable.
	The door may have been closed without first selecting a cycle.	Select a cycle and close the door.
	Power cord not inserted.	Ensure that the power cord is plugged all the way into the back of the appliance and into the socket. Check that the socket functions.
	The water supply may not be connected.	Check and turn on water supply.
	The appliance door has not been shut properly.	Close the door.
	The door has been open for more than 4 seconds after pressing the START button.	Press the START button again and close the appliance door within 4 seconds (see "Protection against unintentional operation").
Wash cycle starts automatically.	You did not wait until wash cycle ended.	Perform reset. (see "Canceling the wash cycle").
Cover on the detergent dispenser cannot be closed.	Detergent dispenser or cover guide blocked by sticky detergent residue.	Remove detergent residue.
Detergent residue in the detergent dispenser [30] or in the detergent tab tray [23].	Spray arms blocked by dishes, therefore detergent is not rinsed out.	Ensure that the spray arms can rotate freely.
	The detergent dispenser was damp when filled.	Pour detergent into the dry detergent dispenser only.
Appliance stops in the wash cycle or wash cycle is interrupted.	Door not closed properly.	Close the door.
	Do not place dishes or fragrance dispenser in the detergent tab tray. Upper rack presses against the door and prevents door from being closed securely.	Check whether rear panel is being pressed in, e.g. by socket or by hose holder which has not been removed.
	Power and/or water supply interrupted.	Restore power and/or water supply.
Filling valves making striking noises.	Depends on domestic installation, as appliance is not defective. No effect on appliance function.	No remedial action possible.
Knocking or rattling noise.	Spray arm strikes the dishes, dishes not positioned correctly.	Position dishes so that the spray arms do not strike the dishes.
	If there is a low load, the water jets strike the washing tank directly.	Load the appliance with more dishes or distribute the dishes more evenly in the dishwasher.
	Light dishes move during the wash cycle.	Arrange light dishes securely.
Unusual foam formation.	Handwash liquid in the rinse aid dispenser.	Immediately refill rinse aid dispenser with rinse aid.
	Rinse aid spilled.	Remove rinse aid with a cloth.

Customer Service

Your dishwasher requires no special care other than that described in the Care and Maintenance section of this manual. If you are having a problem with your dishwasher, before calling for service please refer to the Troubleshooting Guide section of the manual. If service is necessary, contact your dealer or installer or an authorized service center. Do not attempt to repair the appliance yourself. Any work performed by unauthorized personnel may void the warranty.

If you are having a problem with your dishwasher and are not pleased with the service you have received, please take the following steps until the problem is corrected to your satisfaction:

1. Contact your installer or the Thermador® authorized service provider in your area.
2. E-mail us from the customer service section of our website, **www.thermador.com** (USA) or **www.thermador.ca** (Canada)
3. Call us at **800-735-4328**
4. Write us:

BSH Home Appliances Corporation
1901 Main Street, Suite 600
Irvine, CA 92614
USA

Please be sure to include your model information as well as an explanation of the problem and the date it started. You will find the model and serial number information on the label located on the edge of the dishwasher door. Please make a copy of your invoice and keep it with this manual. The customer may be required to show proof of purchase to validate warranty coverage.

Statement of Limited Product Warranty

What this Warranty Covers & Who it Applies to:

The limited warranty provided by BSH Home Appliances (Thermador®) in this Statement of Limited Product Warranty applies only to the Thermador appliance (“Product”) sold to you, the first using purchaser, provided that the Product was purchased:

- for your normal, household (non-commercial) use, and has in fact at all times only been used for normal household purposes;
- new at retail (not a display, “as is”, or previously returned model), and not for resale, or commercial use; and
- within the United States or Canada, and has at all times remained within the country of original purchase. The warranties stated herein apply only to the first purchaser of the Product and are not transferable.

Thermador reserves the right to request proof of purchase at the time any warranty claim is submitted to confirm that the Product falls within the scope of this limited product warranty.

Please make sure to return your registration card; while not necessary to effectuate warranty coverage, it is the best way for Thermador to notify you in the unlikely event of a safety notice or product recall.

How Long the Warranty Lasts

Thermador warrants that the Product is free from defects in materials and workmanship for a period of seven hundred thirty (730) days (2 years) from the date of purchase. The foregoing timeline begins to run upon the date of purchase, and shall not be stalled, tolled, extended, or suspended, for any reason whatsoever.

This Product is also warranted to be free from **cosmetic** defects in material and workmanship (such as scratches of stainless steel, paint/porcelain blemishes, chip, dents, or other damage to the finish of the Product), for a period of thirty (30) days from the date of purchase or closing date for new construction. This **cosmetic** warranty excludes slight color variations due to inherent differences in painted and porcelain parts, as well as differences caused by kitchen lighting, product location, or other similar factors. This **cosmetic** warranty specifically excludes any display, floor, “As Is”, or “B” stock appliances.

Extended Limited Warranty

BSH also provides these additional limited warranties:

- 5 year limited warranty on electronics: BSH will repair or replace any BSH microprocessor or printed circuit board if it proves to be defective in materials or workmanship (excludes labor charges).
- 5 year limited warranty on dish racks: BSH will replace the upper or lower dish rack (excluding rack components), if the rack proves defective in materials or workmanship (excludes labor charges).
- Lifetime warranty against stainless steel rust through: BSH will repair or replace your dishwasher with the same model or a current model that is substantially equivalent or better in functionality, if the inner liner should rust through (excludes labor charges).
- BSH will repair or replace the stainless steel door if the door should rust through (excludes labor charges).

Repair/Replace as Your Exclusive Remedy

During this warranty period, Thermador or one of its authorized service providers will repair your Product without charge to you (subject to certain limitations stated herein) if your Product proves to have been manufactured with a defect in materials or workmanship. If a reasonable number attempts to repair the Product have been made without success, then Thermador will replace your Product (upgraded models may be available to you, in Thermador's sole discretion, for an additional charge). All removed parts and components shall become the property of Thermador at its sole option. All replaced and/or repaired parts shall assume the identity of the original part for purposes of this warranty and this warranty shall not be extended with respect to such parts. Thermador's sole liability and responsibility hereunder is to repair manufacturer-defective Product only, using a Thermador-authorized service provider during normal business hours. For safety and property damage concerns, Thermador highly recommends that you do not attempt to repair the Product yourself, or use an unauthorized servicer; Thermador will have no responsibility or liability for repairs or work performed by a non-authorized servicer. If you choose to have someone other than an authorized service provider work on your Product, **THIS WARRANTY WILL AUTOMATICALLY BECOME NULL AND VOID.** Authorized service providers are those persons or companies that have been specially trained on Thermador products, and who possess, in Thermador's opinion, a superior reputation for customer service and technical ability (note that they are independent entities and are not agents, partners, affiliates or representatives of Thermador). Notwithstanding the foregoing, Thermador will not incur any liability, or have responsibility, for the Product if it is located in a remote area (more than 100 miles from an authorized service provider) or is reasonably inaccessible, hazardous, threatening, or treacherous locale, surroundings, or environment; in any such event, if you request, Thermador would still pay for labor and parts and ship the parts to the nearest authorized service provider, but you would still be fully liable and responsible for any travel time or other special charges by the service company, assuming they agree to make the service call.

Out of Warranty Product

Thermador is under no obligation, at law or otherwise, to provide you with any concessions, including repairs, pro-rates, or Product replacement, once this warranty has expired.

Warranty Exclusions

The warranty coverage described herein excludes all defects or damage that are not the direct fault of Thermador, including without limitation, one or more of the following:

- Use of the Product in anything other than its normal, customary and intended manner (including without limitation, any form of commercial use, use or storage of an indoor product outdoors, use of the Product in conjunction with air or water-going vessels);
- Any party's willful misconduct, negligence, misuse, abuse, accidents, neglect, improper operation, failure to maintain, improper or negligent installation, tampering, failure to follow operating instructions, mishandling, unauthorized service (including self-performed "fixing" or exploration of the appliance's internal workings);
- Adjustment, alteration or modification of any kind;
- A failure to comply with any applicable state, local, city, or county electrical, plumbing and/or building codes, regulations, or laws, including failure to install the product in strict conformity with local fire and building codes and regulations;
- Ordinary wear and tear, spills of food, liquid, grease accumulations, or other substances that accumulate on, in, or around the Product;
- Any external, elemental and/or environmental forces and factors, including without limitation, rain, wind, sand, floods, fires, mud slides, freezing temperatures, excessive moisture or extended exposure to humidity, lightning, power surges, structural failures surrounding the appliance, and acts of God.

In no event shall Thermador have any liability or responsibility whatsoever for damage to surrounding property, including cabinetry, floors, ceilings, and other structures or objects around the Product. Also excluded from this warranty are Products on which the serial numbers have been altered, defaced, or removed; service visits to teach you how to use the Product, or visits where there is nothing wrong with the Product; correction of installation problems (you are solely responsible for any structure and setting for the Product, including all electrical, plumbing or other connecting facilities, for proper foundation/flooring, and for any alterations including without limitation cabinetry, walls, floors, shelving, etc.); and resetting of breakers or fuses. TO THE EXTENT ALLOWED BY LAW, THIS WARRANTY SETS OUT YOUR EXCLUSIVE REMEDIES WITH RESPECT TO PRODUCT, WHETHER THE CLAIM ARISES IN CONTRACT OR TORT (INCLUDING STRICT LIABILITY, OR NEGLIGENCE) OR OTHERWISE. THIS WARRANTY IS IN LIEU OF ALL OTHER WARRANTIES, WHETHER EXPRESS OR IMPLIED. ANY WARRANTY IMPLIED BY LAW, WHETHER FOR MERCHANTABILITY OR FITNESS FOR A PARTICULAR PURPOSE, OR OTHERWISE, SHALL BE EFFECTIVE ONLY FOR THE PERIOD THAT

THIS EXPRESS LIMITED WARRANTY IS EFFECTIVE. IN NO EVENT WILL THE MANUFACTURER BE LIABLE FOR CONSEQUENTIAL, SPECIAL, INCIDENTAL, INDIRECT, "BUSINESS LOSS", AND/OR PUNITIVE DAMAGES, LOSSES, OR EXPENSES, INCLUDING WITHOUT LIMITATION TIME AWAY FROM WORK, HOTELS AND/OR RESTAURANT MEALS, REMODELLING EXPENSES IN EXCESS OF DIRECT DAMAGES WHICH ARE DEFINITELY CAUSED EXCLUSIVELY BY BSH, OR OTHERWISE. SOME STATES DO NOT ALLOW THE EXCLUSION OR LIMITATION OF INCIDENTAL OR CONSEQUENTIAL DAMAGES, AND SOME STATES DO NOT ALLOW LIMITATIONS ON HOW LONG AN IMPLIED WARRANTY LASTS, SO THE ABOVE LIMITATIONS MAY NOT APPLY TO YOU. THIS WARRANTY GIVES YOU SPECIFIC LEGAL RIGHTS, AND YOU MAY ALSO HAVE OTHER RIGHTS WHICH VARY FROM STATE TO STATE. No attempt to alter, modify or amend this warranty shall be effective unless authorized in writing by an officer of BSH.

How to Obtain Warranty Service

To obtain warranty service for your Product, you should contact the nearest Thermador authorized service center.

Table de **MATIÈRES**

Indications de sécurité	42
CONSIGNES DE SÉCURITÉ IMPORTANTES	43
Causes de pannes	45
Mise en marche	46
Home Connect™	50
Système d'adoucissement de l'eau / sels *	52
Produit de rinçage	54
Chargement du lave-vaisselle	55
Détergent	59
Cycles du lave-vaisselle	61
Options de cycles du lave-vaisselle	62
Mise en marche du lave-vaisselle	64
Entretien et maintenance	67
Dépannage	71
Service à la clientèle	78
Déclaration de la garantie limitée du produit	79

*Cet appareil électroménager
de THERMADOR*
est fait par BSH Home Appliances Ltd.
6696 Financial Drive, Unit 3
Mississauga, ON L5N 7J6

Question ?

1-800-735-4328

www.thermador.ca

Nous attendons de vos nouvelles.

Indications de sécurité

▲ AVERTISSEMENT

Ceci indique des risques de blessures graves ou mortelles en cas de non-respect de cette mise en garde.

▲ ATTENTION

Ceci indique des risques de blessures mineures ou de gravité moyenne en cas de non-respect de cette mise en garde.

AVIS : Ceci indique un risque d'endommagement de l'appareil ou de biens en cas de non respect de ces consignes.

Remarque : Ceci vous signale des informations et/ou indications importantes.

CONSIGNES DE SÉCURITÉ IMPORTANTES

LISEZ ET CONSERVEZ CES INSTRUCTIONS

Ce lave-vaisselle est livré avec des instructions de montage et ce Manuel d'utilisation et d'entretien. Lisez et assurez-vous d'avoir bien assimilé toutes les instructions avant d'utiliser le lave-vaisselle.

Ce lave-vaisselle est conçu pour une utilisation jusqu'à une altitude de 13 000 pieds (4000 m) au-dessus du niveau de la mer.

Pour réduire le risque d'incendie, de choc électrique, ou de blessures graves, respectez les consignes suivantes :

AVERTISSEMENT

RISQUE DE BLESSURE OU DE DÉCÈS

La mauvaise utilisation du lave-vaisselle peut causer des blessures graves ou mortelles. Évitez d'utiliser le lave-vaisselle d'une manière non conforme aux directives énoncées dans ce manuel ou à d'autres fins que celles énoncées dans les pages suivantes.

AVERTISSEMENT

RISQUE DE BLESSURES

La réparation de l'appareil par des techniciens d'entretien non qualifiés ou l'utilisation de pièces de rechange non originales peuvent causer des blessures graves ou endommager l'équipement. Tous les travaux de réparation doivent être effectués par un technicien d'entretien qualifié utilisant uniquement des pièces de rechange d'origine.

AVERTISSEMENT

RISQUE DE CHOC ÉLECTRIQUE OU D'INCENDIE

Un choc électrique ou un incendie peut survenir si l'alimentation électrique du lave-vaisselle décrit dans le présent manuel est mal installée ou s'il n'est pas correctement mis à la terre. Le lave-vaisselle décrit dans ce manuel ne doit pas être utilisé à moins d'être certain de la bonne installation de l'alimentation électrique et de la mise à la terre correcte du lave-vaisselle.

AVERTISSEMENT

RISQUE POUR LA SANTÉ

N'utilisez jamais des produits chimiques agressifs pour nettoyer votre lave-vaisselle. Certains produits contenant du chlore peuvent endommager le lave-vaisselle et présenter des risques pour la santé!

INSTRUCTIONS DE MISE À LA TERRE

Cet équipement doit être mis à la terre au niveau d'un système de câblage permanent en métal, ou un conducteur de mise à la masse d'équipement doit être intégré aux conducteurs d'alimentation et connecté au terminal de mise à la masse de l'équipement ou à la broche de raccordement du lave-vaisselle. Voir la rubrique Instructions de montage fournie pour avoir plus d'informations sur les exigences électriques.

AVERTISSEMENT

RISQUE DE CHOC ÉLECTRIQUE

Cet appareil doit être mis à la terre. En cas de dysfonctionnement, la mise à la terre réduira le risque de choc électrique en fournissant une voie de moindre résistance au courant électrique. Cet appareil est équipé d'un câble disposant d'un conducteur de mise à la terre. La mauvaise connexion du conducteur de mise à la terre peut provoquer un risque de choc électrique. En présence d'un électricien qualifié, vérifiez, en cas de doute, si l'appareil est correctement mis à la terre.

Fonctionnement normal

Utilisez ce lave-vaisselle uniquement aux fins spécifiées, notamment le lavage de vaisselle et d'ustensiles de cuisine indiqués comme lavables au lave-vaisselle.

Utilisez uniquement des détergents ou des produits de rinçage recommandés pour un lave-vaisselle, puis tenez-les hors de la portée des enfants.

ATTENTION

Lors du chargement de vaisselle à laver :

- identifiez les objets tranchants pour éviter qu'ils n'endommagent le joint de la porte.
- les couteaux et autres ustensiles tranchants doivent être placés debout, les **POIGNÉES EN HAUT**, afin de réduire le risque de coupures.
- ne lavez pas les objets en plastique, sauf s'ils portent l'inscription « lavable au lave-vaisselle » ou une indication équivalente. Pour les objets en plastique ne portant pas cette indication, consultez les recommandations de leurs fabricants respectifs.
- évitez de mettre votre lave-vaisselle en marche à moins que tous les panneaux ne soient en place.
- ne touchez pas ou ne passez pas outre les commandes et verrouillages.

Évitez de vous asseoir, de vous appuyer ou d'utiliser de manière abusive la porte ou les paniers à vaisselle du lave-vaisselle.



CONSIGNES DE SÉCURITÉ IMPORTANTES

LISEZ ET CONSERVEZ CES INSTRUCTIONS

AVERTISSEMENT

RISQUE DE BLESSURES

Pour éviter des risques de blessures, faites toujours attention lorsque vous ouvrez la porte pendant ou après un cycle de lavage car des rejets d'eau chaude ou de vapeur peuvent survenir. N'ouvrez pas complètement la porte avant que les bruits d'eau n'aient cessés et que la vapeur ne soit dissipée.

Pour réduire le risque de blessure, interdisez aux enfants de jouer dans ou sur le lave-vaisselle.

À l'âge adulte leur permettant d'utiliser la machine, les enfants sont sous la responsabilité de leurs parents/tuteurs légaux qui doivent s'assurer qu'ils sont suffisamment instruits sur les bonnes pratiques par des personnes qualifiées.

Les lave-vaisselle domestiques certifiés NSF/ANSI 184 ne sont pas destinés aux établissements de services alimentaires agréés.

Entretien et maintenance corrects

AVERTISSEMENT

RISQUE D'EXPLOSION

Sous certaines conditions, de l'hydrogène gazeux peut se créer dans un système d'eau chaude inutilisé pendant deux semaines ou plus. L'hydrogène gazeux est de nature explosive. Avant d'utiliser un lave-vaisselle connecté à un système d'eau chaude inutilisé pendant deux semaines ou plus, ouvrez tous les robinets d'eau chaude et laissez l'eau s'écouler pendant plusieurs minutes. Tout l'hydrogène gazeux accumulé sera ainsi évacué. Compte tenu de la nature explosive du gaz, évitez de fumer ou d'utiliser des flammes nues à ce moment.

Retirez la porte du lave-vaisselle menant au compartiment de nettoyage lors du retrait d'un ancien lave-vaisselle dans le cadre de l'entretien ou de la mise au rebut.

Pour éviter d'endommager le plancher et la propagation des moisissures, les alentours et le dessous du lave-vaisselle ne doivent pas rester humides.

Remarque : Afin de ne pas endommager le lave-vaisselle, évitez de laisser l'eau pénétrer dans les systèmes de votre appareil pendant de longues périodes à des températures de gel. Par temps de gel, la vanne de remplissage d'eau ainsi que d'autres composants de votre lave-vaisselle peuvent s'endommager.

AVIS : Il est vivement recommandé à l'utilisateur final de se familiariser avec les procédures d'arrêt de l'alimentation en eau ainsi qu'avec les procédures d'arrêt de l'alimentation électrique entrante. Consultez les instructions de montage ou contactez votre installateur pour de plus amples informations.

Avertissement issue de la proposition 65 de l'État de la Californie :

AVERTISSEMENT

Ce produit peut vous exposer à des produits chimiques, comme du chlorure de vinyle, reconnus par l'État de la Californie comme causant le cancer, des malformations congénitales ou d'autres effets nocifs sur la reproduction. Pour de plus amples renseignements, consultez www.P65Warnings.ca.gov.

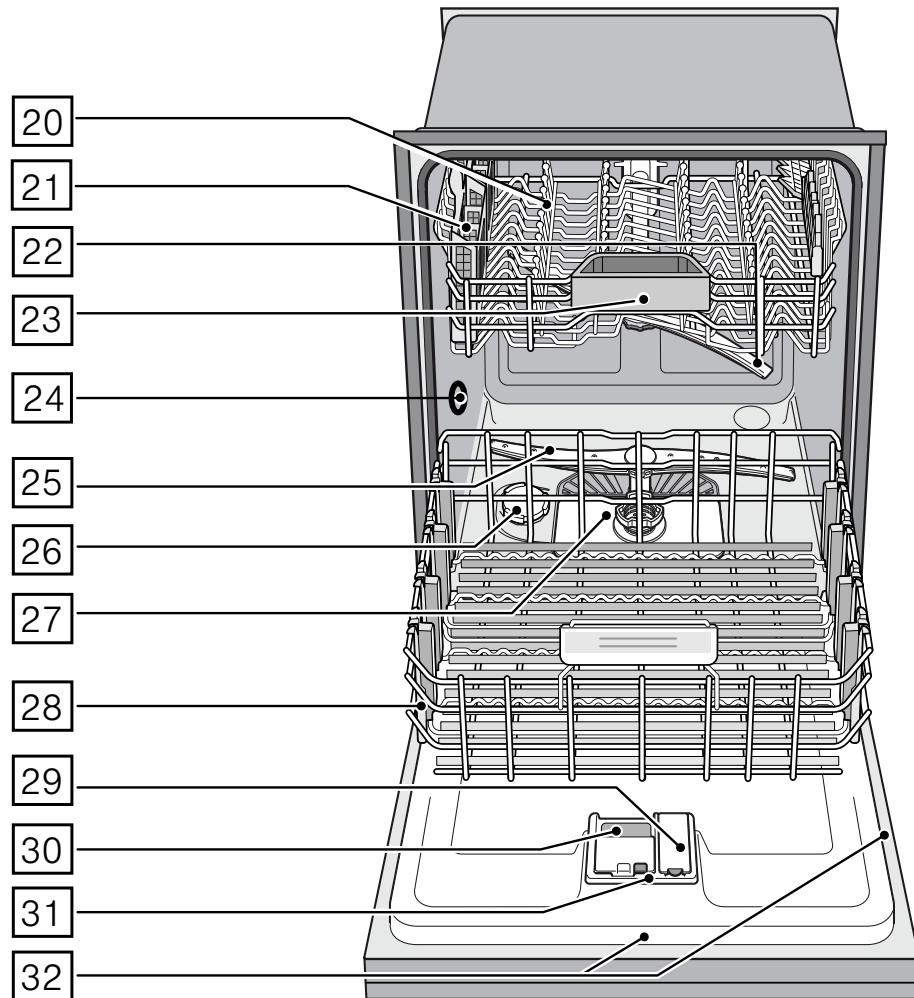
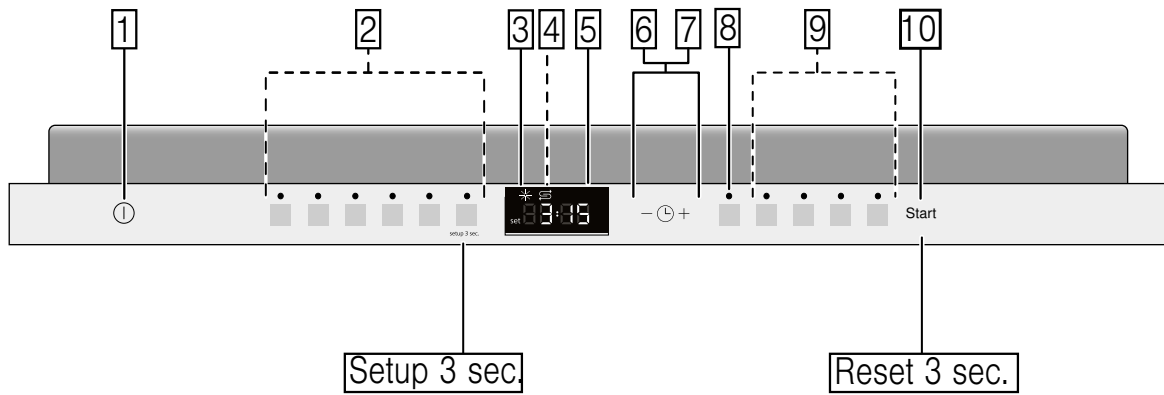
Causes de pannes

AVIS

- N'utilisez jamais de nettoyants à vapeur pour laver votre lave-vaisselle. Le fabricant n'est pas responsable des conséquences ou des dommages éventuels.
- Pour éviter toute possibilité d'endommager le lave-vaisselle, n'utilisez pas des produits chimiques acides, des nettoyants abrasifs, des tampons à récurer (métalliques ou plastiques), ou des éponges/essuietout abrasifs pour nettoyer le panneau de porte extérieure de votre lave-vaisselle. Cela peut endommager le panneau de porte extérieur de votre lave-vaisselle.
- Afin de ne pas endommager le lave-vaisselle, n'y chargez pas des objets en papier, des sacs en plastique, des matériaux d'emballage ou tout article autre qu'un article normal, de la vaisselle ou des ustensiles de cuisine lavables au lave-vaisselle.
- **Protégez votre lave-vaisselle des éléments. Protégez-le du gel afin d'éviter d'endommager la soupape de remplissage. Les dégâts causés par le gel ne sont pas couverts par la garantie.**

Mise en marche

Vue d'ensemble de l'appareil



Les numéros mentionnés ci-dessous font référence aux images d'aperçu sur la page précédente du présent manuel.

Panneau de commande

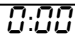



- 1 Interrupteur Marche/Arrêt
- 2 Touches de programmation **
- 3 Indicateur de remplissage de liquide de rinçage
- 4 Indicateur de remplissage de sel
- 5 Affichage digital
- 6 Touches de réglage
- 7 Départ différé
- 8 Bouton de télé démarrage
- 9 Fonctions supplémentaires **
- 10 Touche DÉMARRAGE

Remarque : Certains cycles et options de nettoyage varient selon le modèle.

Composants internes du lave-vaisselle

- 20 Panier à vaisselle supérieur
- 21 Panier à couverts
- 22 Bras d'aspersion supérieur
- 23 Coupelle interceptrice des pastilles
- 24 Orifice de ventilation
- 25 Bras d'aspersion inférieur
- 26 Réservoir de sel spécial
- 27 Filtres
- 28 Panier à vaisselle inférieur
- 29 Réservoir de liquide de rinçage
- 30 Compartiment à détergent
- 31 Verrou de fermeture du compartiment à détergent
- 32 Plaque signalétique

Indicateurs

	Temps de cycle restant
	S'allume lorsque la quantité de produit de rinçage est faible
	S'allume lorsque la quantité de sel est faible
	S'allume lorsque la connexion Wi-Fi est établie

Aperçu du menu

Le lave-vaisselle a été configuré avec certains réglages pour votre confort. Il est possible de modifier ces réglages usine.

Changez les réglages comme suit :

1. Ouvrez la porte.
2. Appuyez sur le bouton On/Off (Marche/Arrêt) 1.
3. Appuyez sur la touche **setup 3 sec.** durant 3 secondes jusqu'à ce que **H:0...** soit affiché dans l'écran supérieur 5.
4. Appuyez sur le bouton Start **setup 3 sec.** pour enregistrer le réglage individuel.

5. Ajustez le réglage avec les boutons + et -. 6.
6. Appuyez et maintenez la touche **setup 3 sec.** enfoncée pendant 3 secondes.

Les paramètres sélectionnés ont été sauvegardés.

Remarque : Si vous souhaitez modifier plusieurs réglages, commencez par les modifier un par un. Appuyez ensuite sur la touche **setup 3 sec.** durant 3 secondes. Tous les réglages seront ensuite enregistrés dans le lave-vaisselle.

Réglage	Réglage d'usine	Description
H Water hardness (dureté de l'eau) H:00 - H:07	H:00	Réglage de la dureté de l'eau. Lorsque vous utilisez des comprimés tout-en-un, sélectionnez la valeur la plus basse.
r Rinse aid (agent de rinçage) r:00 - r:06	r:05	La quantité de produit de rinçage utilisée affecte le séchage.
SE Réglage du capteur	SE:00 SE:00 - SE:02	Réglage de la détection de souillure pour l'obtention de résultats de lavage optimaux.
d Intensive drying (Séchage intensif) d:00 - d:01	d:00 / Off (Arrêt)	Séchage amélioré pour les verres et la vaisselle en plastique.
P Auto power off (extinction automatique) P:00 - P:02	P:00	Le lave-vaisselle s'arrête automatiquement à la fin de chaque cycle.
I Info light* I:00 - I:01	I:01 / On (Marche)	De la lumière est projetée pour signaler qu'un lavage est en cours.
E Emotion Light E:00 - E:01	E:01	Lumières intérieures
S Time light * S:00 - S:01	S:01	La Time light est activée.
SP Dernier programme utilisé SP:00 - SP:01	SP:01	Rétablit par défaut le dernier programme utilisé.
SL Volume du signal SL:00 - SL:03	SL:02	Volume du signal à la fin du programme.
BL Volume des boutons BL:00 - BL:03	BL:02	Volume du son des boutons
c Double push (double poussée) c:00 - c:01	c:00	Si l'option double push est activée, vous pouvez ouvrir la porte en appuyant deux fois à deux reprises.
Ln Wi-Fi off/on (désactivé/activé) Ln:00 - Ln:01	Ln:00	La connexion Wifi est désactivée.

Réglage	Réglage d'usine	Description
AC Auto Connect (connexion automatique)		WPS : couplage automatique.
SA Manual Connect (connexion manuelle)		SAP : connexion manuelle.
APP App Pair (couplage d'application)		Coupler l'électroménager à l'application.
FE Factory Reset (réinitialisation usine)		« Oui »

* option facultative qui peut être ou ne pas être incluse avec votre lave-vaisselle.

Home Connect™

Ce lave-vaisselle est compatible Wi-Fi et peut être commandé à distance via un terminal mobile.

Si vous ne branchez pas votre lave-vaisselle à votre réseau domestique, vous pouvez l'utiliser manuellement de manière conventionnelle à l'aide des touches.

Consultez l'aperçu de l'appareil pour situer les boutons.

→ "Vue d'ensemble de l'appareil" à la page 46

Wi-Fi

Vous pouvez activer la connexion au réseau sans fil avec $\boxed{5} \boxed{1}$ ou la désactiver avec $\boxed{5} \boxed{0}$.

Activer le Wi-Fi :

1. Appuyez sur le bouton On/Off (Marche/Arrêt) $\boxed{1}$.
2. Appuyez et maintenez la touche **setup 3 sec.** enfoncée pendant 3 secondes.
Vous verrez apparaître à l'écran $\boxed{5} \boxed{H:0}...$ et **set**
3. Appuyez sur la touche **setup 3 sec.** à plusieurs reprises jusqu'à ce que $\boxed{5} \boxed{1}$ ou $\boxed{5} \boxed{0}$ s'affiche à l'écran.
4. Utilisez le bouton + $\boxed{6}$ pour activer le Wi-Fi $\boxed{5} \boxed{1}$.
5. Appuyez et maintenez la touche **setup 3 sec.** enfoncée pendant 3 secondes.

Les paramètres sélectionnés ont été sauvegardés dans le lave-vaisselle.

Remarque : La commande à distance du lave-vaisselle nécessite une connexion sans fil stable.

Network login (connexion au réseau)

Dans le menu « Network login » (connexion au réseau), vous pouvez basculer entre la connexion au réseau automatique **RC** et manuelle **SA**. Vérifiez si votre routeur dispose d'une fonction WPS.

Automatic network login (connexion automatique au réseau) RC : Branchez-vous au réseau domestique avec la touche WPS de votre routeur. Appuyez sur la touche WPS du routeur durant la connexion.

Manual network login (connexion manuelle au réseau) SA : Branchez votre appareil mobile au réseau (SSID) : _____, mot de passe (key) : _____. Les réglages de réseau sont ensuite saisis manuellement avec l'application Home Connect pour la connexion à votre réseau local.

Brancher votre lave-vaisselle à votre réseau domestique et à l'application :

1. Appuyez sur le bouton ON/OFF (MARCHE/ARRÊT) $\boxed{1}$.
2. Appuyez et maintenez la touche **setup 3 sec.** enfoncée pendant 3 secondes.
Vous verrez apparaître à l'écran $\boxed{5} \boxed{H:0}...$ et **set**
3. Appuyez sur la touche **setup 3 sec.** à plusieurs reprises jusqu'à ce que $\boxed{5} \boxed{RC}$ ou $\boxed{5} \boxed{SA}$ s'affiche à l'écran.
4. Lancez la connexion avec le bouton de réglage + $\boxed{6}$.
Vous verrez apparaître à l'écran $\boxed{5} \boxed{PA}$.

Si la connexion réussit, $\boxed{5} \boxed{RC}$ apparaît brièvement à l'écran $\boxed{5}$.

Le lave-vaisselle lance automatiquement la connexion à l'application. Durant cela, $\boxed{5} \boxed{PP:P}$ apparaît à l'écran $\boxed{5}$. Une fois l'appareil branché à l'application, $\boxed{5} \boxed{RC}$ apparaît à l'écran $\boxed{5}$.

Observez les instructions des documents Home Connect fournis.

Remarque : Les éléments de menu **RC** et **SA** ne sont pas disponibles sans connexion Wi-Fi.

Connect to the app (se connecter à l'application)

Le paramètre **PP:P** établit le lien entre votre lave-vaisselle, l'application et votre compte d'utilisateur.

Remarque : Cette étape ne devrait être réalisée que si le lave-vaisselle ne s'est pas branché automatiquement à l'application.

Brancher votre lave-vaisselle à votre réseau domestique et à l'application :

1. Appuyez sur le bouton ON/OFF (MARCHE/ARRÊT) $\boxed{1}$.
2. Appuyez et maintenez la touche **setup 3 sec.** enfoncée pendant 3 secondes.
Vous verrez apparaître à l'écran $\boxed{5} \boxed{H:0}...$ et **set**
3. Appuyez sur la touche **setup 3 sec.** à plusieurs reprises jusqu'à ce que $\boxed{5} \boxed{PP:P}$ ou s'affiche à l'écran $\boxed{5}$.
4. Lancez la connexion avec le bouton de réglage + $\boxed{6}$.

Si la connexion réussit, $\boxed{5} \boxed{RC}$ apparaît brièvement à l'écran $\boxed{5}$.

Observez les instructions des documents Home Connect fournis.

Remarque : L'élément de menu **PP:P** est indisponible sans connexion au réseau domestique.

Remarque sur la protection des données :

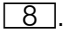
Lors de la première connexion de votre lave-vaisselle Home Connect à un réseau WLAN branché sur Internet, votre appareil transmet les catégories suivantes de données au serveur Home Connect (premier enregistrement) :


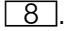
- code d'appareil univoque (constitué de clés d'appareil ainsi que de l'adresse MAC du module de communication Wi-Fi intégré).
- Certificat de sécurité du module de communication Wi-Fi (pour la protection technique des informations de la connexion).
- La version actuelle du logiciel et du matériel de votre lave-vaisselle.
- État d'une précédente restauration éventuelle des réglages d'usine.

Ce premier enregistrement prépare les fonctions Home Connect et ne servira qu'au moment de leur première utilisation. Veuillez noter que les fonctions Home Connect ne sont disponibles que si l'appareil est

branché à l'app Home Connect. Des renseignements sur la protection des données peuvent être consultés dans l'app Home Connect.

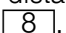
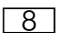

Bouton de télé démarrage

Si le lave-vaisselle est branché au réseau domestique, vous pouvez activer la commande à distance. Pour ce faire, appuyez sur le bouton de télé démarrage .

Si le lave-vaisselle n'est pas encore branché à Home Connect, vous pouvez lancer la connexion automatique au réseau  en appuyant sur le bouton de télé démarrage .

Observez les instructions des documents Home Connect fournis.

Remarques

- Pour commander le lave-vaisselle à distance, il faut activer le bouton de télé démarrage .
- Le bouton de télé démarrage  s'éteint lorsque la connexion est établie.
- L'ouverture de la porte désactive la commande à distance.
- Si la connexion au routeur échoue,  clignote à l'écran.

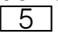
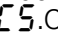
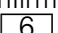
Wi-Fi sans connexion au serveur Home Connect

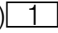
Vous pouvez interrompre la connexion au serveur Home Connect via l'app Home Connect.

L'appareil demeurera branché localement à votre terminal mobile sans connexion au serveur Home Connect.

Remarque : Si vous n'avez pas désactivé la connexion au serveur Home Connect, vérifiez votre connexion Internet.

Diagnostics à distance

Le service à la clientèle peut effectuer un diagnostic à distance pour accéder à votre électroménager sur demande de votre part. Vous verrez apparaître à l'écran  . Confirmez l'accès au service à la clientèle avec le bouton + .

Remarque : Pour désactiver le diagnostic à distance, utilisez l'interrupteur ON/OFF (MARCHE/ARRÊT)  ou mettez fin à l'accès au service à la clientèle dans l'application Home Connect.

Système d'adoucissement de l'eau / sels *

Afin d'obtenir un bon rinçage, le lave-vaisselle a besoin d'une eau douce, c.-à-d. d'une eau pauvre en calcaire, à défaut de quoi des dépôts de calcaire se formeront sur les ustensiles ainsi qu'à l'intérieur de bac de lavage.. L'eau courante au-dessus de 12,5 °fH (1.2 mmol/l) doit être adoucie. L'adoucissement de l'eau s'obtient grâce à des sels spéciaux (sels de régénération) déposés dans le système d'adoucissement de l'eau du lave-vaisselle.

Le réglage et par conséquent la quantité de sels spéciaux à déposer dépendent du niveau de dureté de votre eau courante (voir le tableau de dureté de l'eau ci-après).

* option facultative qui peut être ou ne pas être incluse avec votre lave-vaisselle.

Réglage des paramètres d'adoucissement de l'eau

Utiliser la bandelette d'analyse comprise avec votre lave-vaisselle (les bandelettes d'analyse achetées séparément pourraient avoir une échelle différente)	Réglage de l'adoucisseur d'eau	Ajouter du sel au distributeur de sel	Dureté de l'eau	
			Valeur E	mmol/l
	H:00	Non	0-8	0-1,1
	H:01	Oui	9-10	1,2-1,4
	H:02	Oui	11-12	1,5-1,8
	H:03	Oui	13-15	1,9-2,1
	H:04	Oui	16-20	2,2-2,9
	H:05	Oui	21-26	3,0-3,7
	H:06	Oui	27-38	3,8-5,4
	H:07	Oui	39-62	5,5-8,9

Réglage du système d'adoucissement de l'eau

La quantité de sels déposés peut être réglée de H:00 à H:07. Les sels ne sont pas requis pour une valeur de H:00.

Réglez le système d'adoucissement comme suit :

1. Demandez le degré de dureté de votre eau courante à votre fournisseur d'eau.
2. Le réglage à effectuer se trouve dans le tableau de dureté de l'eau.
3. Ouvrez la porte.
4. Appuyez sur le bouton On/Off (Marche/Arrêt) 1.
5. Appuyez sur la touche **Setup** durant 3 secondes jusqu'à ce que H:00 soit affiché dans l'écran supérieur 5.
6. Effectuez le réglage à l'aide des boutons + - 6.
7. Appuyez et maintenez la touche **Setup** enfoncée pendant 3 secondes.

Les paramètres sélectionnés ont été sauvegardés.

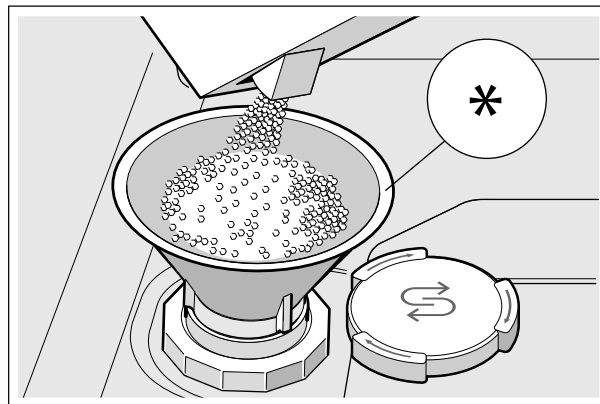
Utilisation des sels spéciaux

Remplissez au maximum le réservoir à sels dès que l'indicateur du niveau de sels 4 s'allume sur l'écran. Remplissez toujours le réservoir au maximum **avant** de mettre l'appareil sous tension. Cela permet d'assurer l'évacuation immédiate du surplus d'eau salée, prévenant ainsi le risque de corrosion dans le réservoir de rinçage.

AVIS : Le détergent endommage le système d'adoucissement de l'eau! Ne versez jamais de détergent dans le distributeur de sels.

Remplissez les sels comme suit :

1. Retirez le bouchon à vis du distributeur 26.
2. Remplissez le distributeur d'eau (opération requise uniquement lors de la première mise sous tension de l'appareil).
3. Ajoutez les sels tel qu'illustré (**n'utilisez pas de sel de table ou de comprimés**). L'eau est évacuée.



Pour en savoir plus sur l'achat de sels pour le lave-vaisselle, veuillez contacter le service à la clientèle (1-800-944-2904).

Utilisation de détergents chargés en sels

Si vous utilisez un détergent chargé en sels, les sels spéciaux ne sont pas requis si la dureté de l'eau ne dépasse pas 375 ppm (37 °fH, 21 °dH, 26 °Clarke, 3,7 mmol/l). Si la dureté de l'eau dépasse 375 ppm, des sels doivent être utilisés.

Éteindre l'indicateur de niveau bas de sels/le système d'adoucissement de l'eau

Si l'usage de détergents composant des sels compromet le fonctionnement de l'indicateur de niveau bas de sel sur l'afficheur numérique , vous pouvez éteindre l'indicateur de niveau bas de sel.

Procédez tel que décrit dans « Réglage du système d'adoucissement de l'eau » et réglez la valeur à **H:00**. Le système d'adoucissement de l'eau et l'indicateur de remplissage des sels sont maintenant activés.

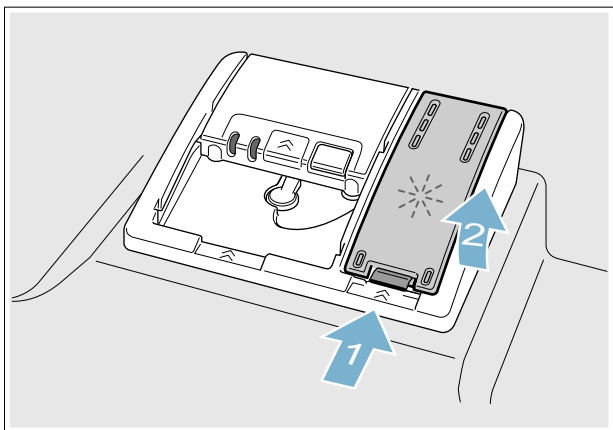
Produit de rinçage

Dès que l'indicateur de niveau d'agent de rinçage [3] s'allume sur le panneau de contrôle, remplissez ce dernier immédiatement. L'agent de rinçage est nécessaire pour enlever les taches sur les ustensiles et verres. N'utilisez qu'un agent de rinçage recommandé par le constructeur comme étant sans risque pour une utilisation avec un lave-vaisselle domestique. Vous pouvez utiliser des détergents pourvus d'un agent de rinçage avec de l'eau douce ou modérément dure uniquement (0 à 2 sur une bandelette d'analyse ou jusqu'à 114,2 mg/l). Avec de l'eau modérément dure à dure (3 à 4 sur une bandelette d'analyse ou 119,91 mg/l), il faut utiliser un agent de rinçage.

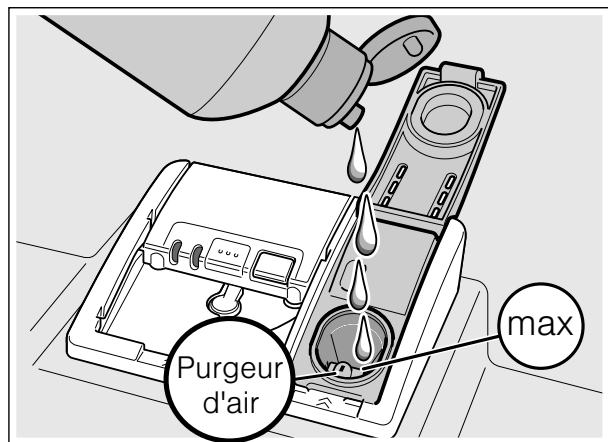
Ajout d'agent de rinçage

AVIS : Pour prévenir les excès de mousse ou l'engorgement, ne remplissez pas le distributeur de produit de rinçage au-delà de sa capacité [29]. Essayez les débordement à l'aide d'un chiffon humide.

1. Ouvrez le distributeur de liquide de rinçage [29] en appuyant sur le loquet du couvercle et en tirant sur celui-ci.



2. Remplissez le distributeur [29] de produit de rinçage liquide jusqu'à pleine capacité. Il ne doit pas déborder. Évitez tout déversement dans le trou d'aération.



3. Fermez le couvercle. Le couvercle doit être hermétiquement fermé jusqu'à l'encliquetage du loquet, pour garantir son étanchéité.

4. Essayez tout excédent de produit de rinçage déversé lorsque le réservoir est plein.

Ceci évite la formation de mousse excessive lors du prochain cycle de lavage. Le témoin lumineux s'éteindra peu après la fermeture de la porte du lave-vaisselle.

Conseil : Pour verser plus facilement, retirez le couvercle de la bouteille de produit de rinçage.

AVIS : Ne pas remplir le distributeur de rinçage auxiliaire [29] avec de la lessive. Sinon, vous pourriez endommager le lave-vaisselle.

Réglage de la quantité de produit de rinçage utilisé

La quantité de produit de rinçage distribuée peut être définie dans la plage de $r:00$ à $r:05$. Réglez la quantité d'agent de rinçage pouvant être distribuée à une valeur de $r:05$ pour obtenir le meilleur résultat de séchage. Ne changez pas la quantité d'agent de rinçage, sauf si des traces de calcaire ou des taches d'eau demeurent sur les ustensiles. Choisissez une valeur inférieure pour éviter les traces de calcaire. Choisissez une valeur supérieure pour éviter les taches d'eau.

Réglez la quantité d'agent de rinçage comme suit :

1. Ouvrez la porte.
2. Appuyez sur le bouton ON/OFF (MARCHE/ARRÊT) [1].
3. Appuyez sur la touche **Setup** durant 3 secondes jusqu'à ce que $H:00$ soit affiché dans l'écran supérieur [5].
4. Continuez d'appuyer sur le bouton **Setup** jusqu'à ce que s'affiche le réglage d'agent de rinçage, $r:05$.
5. Changez le réglage avec les boutons **+ -** [6].
6. Appuyez et maintenez la touche **Setup** enfoncée pendant 3 secondes.

Les paramètres sélectionnés ont été sauvegardés.

Remarque : Ne changez pas la quantité d'agents de rinçage, sauf si des traces de calcaire (sélectionnez une valeur inférieure) ou des taches d'eau (sélectionnez une valeur supérieure) demeurent sur les ustensiles.

Désactivation de l'indicateur de produit de rinçage

Procédez comme décrit dans la section « Réglage de la quantité de produit de rinçage utilisée » et réglez la valeur à $r:00$. L'indicateur de produit de rinçage est maintenant désactivé.

AVIS : En utilisant aucun produit de rinçage ou le réglage du distributeur à $r:00$ peut conduire à des durées de cycle plus longues, ce qui consommera plus d'énergie et plus d'eau. Les températures plus élevées et des durées de cycle plus longues peuvent endommager la porcelaine fine ou la verrerie.

Chargement du lave-vaisselle

Matériaux lavables au lave-vaisselle

Remarque : Avant la première utilisation de votre lave-vaisselle, vérifiez les informations énoncées dans la présente rubrique. Certains objets ne peuvent pas être lavés au lave-vaisselle et doivent l'être à la main ; d'autres doivent être chargés de manière spéciale.

Recommandé	Précaution
Aluminium	L'aluminium anodisé et coloré peut se décolorer au fil du temps. Les minéraux présents dans l'eau peuvent ternir ou tacher l'aluminium. En général, ils sont éliminés à l'aide d'un tampon en laine d'acier imbibé de savon.
Porcelaine, cristal, grès	Certains ustensiles peints à la main peuvent se décolorer ou se tacher. Lavez ces ustensiles à la main. Positionnez la verrerie fragile de manière à ce qu'elle ne bascule pas ou n'entre pas en contact avec d'autres ustensiles au cours du cycle de nettoyage.
Verre	Assurez-vous d'utiliser du verre lavable au lave-vaisselle. Le verre de lait peut se décolorer ou jaunir.
Revêtements anti-adhésifs	Appliquez une légère couche d'huile végétale aux surfaces anti-adhésives après séchage.
Plastiques	Assurez-vous que les articles plastiques sont lavables au lave-vaisselle.
Acier inoxydable, argent sterling et métal argenté	Chargez ces objets de manière à ce qu'ils n'entrent pas en contact avec d'autres métaux, les parois de la cuve du lave-vaisselle en acier inoxydable ou la porte intérieure.

Non Recommandé	Raison
Acrylique	Des craques ou de petites fissures peuvent survenir sur l'acrylique.
Pièces assemblées par un adhésif	Les adhésifs permettant d'assembler des matériaux comme le plastique, le bois, l'os, l'acier, le cuivre, l'étain, etc. peuvent perdre en adhérence.
Ustensiles à poignée en os	Les poignées peuvent se séparer.
Fer	Le fer va rouiller. Lavez à la main et séchez immédiatement.

Non Recommandé	Raison
Articles autres que la vaisselle	Votre lave-vaisselle est destiné au nettoyage de vaisselle et d'articles de cuisine standards UNIQUEMENT.
Potin, laiton, bronze	Ces articles terniront. Lavez à la main et séchez immédiatement.

Chargement des paniers

Pour obtenir les meilleurs résultats, respectez les instructions suivantes lors du chargement de la vaisselle :

- Les articles avec de légères incrustations de résidus alimentaires ne doivent pas être pré-lavés.
- Retirez toutes les particules d'aliments, os, cure-dents et excès de graisse.
- Pré-lavez les articles souillés par les matières brûlées, cuites ou féculentes.
- Chargez les plats dans les paniers du lave-vaisselle de telle sorte que les parois internes des bols, chaudrons et casseroles font face aux bras gicleurs.
- Évitez l'emboîtement et les points de contact entre les plats.
- Séparez les objets à base de métaux différents. Veillez à ne pas bloquer les bras gicleurs.
- Lavez uniquement la vaisselle et les articles de cuisine indiqués comme lavables au lave-vaisselle. Reportez-vous à la rubrique Matériaux lavables au lave-vaisselle pour plus d'informations sur la vaisselle adaptée.

AVIS : Afin de ne pas endommager le lave-vaisselle, n'y chargez pas des objets en papier, des sacs en plastique, des matériaux d'emballage ou tout article autre qu'un article normal, de la vaisselle ou des ustensiles de cuisine lavables au lave-vaisselle.

Chargement du panier supérieur

Assurez-vous que les articles ne dépassent le fond des paniers et ne bloquent les bras gicleurs.

Remarque : Lors de l'insertion du panier supérieur [20] dans le lave-vaisselle, poussez-le jusqu'à ce qu'il bute contre la paroi arrière du bac à laver. Ainsi, le bras gicleur du panier supérieur [22] se connecte à l'alimentation en eau à l'arrière du bac à laver. Ne poussez pas les paniers à l'aide de la porte.

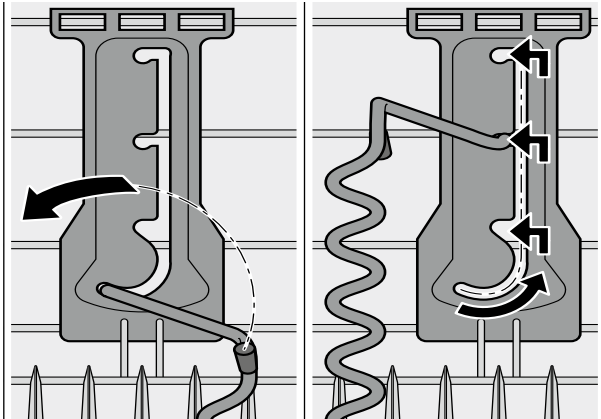
Chargement du panier inférieur

Placez les objets volumineux dans le panier inférieurs [28]. Chargez les chaudrons, casseroles et bols à l'envers. Ne bloquez pas les trous de ventilation [24] avec de grandes plaques à pâtisserie. Chargez ces objets du côté droit du lave-vaisselle.

Autres profils de chargement

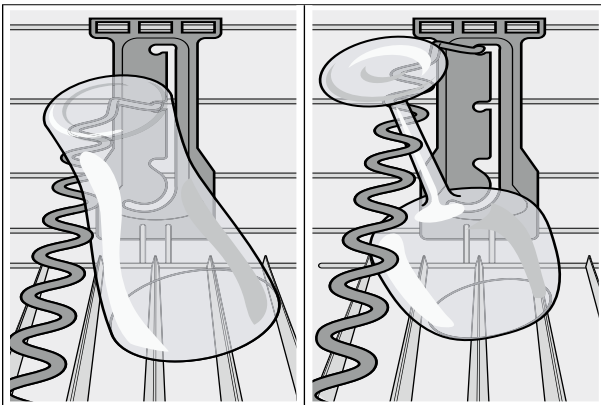
Chargement du panier inférieur

Ajuster les supports à verres



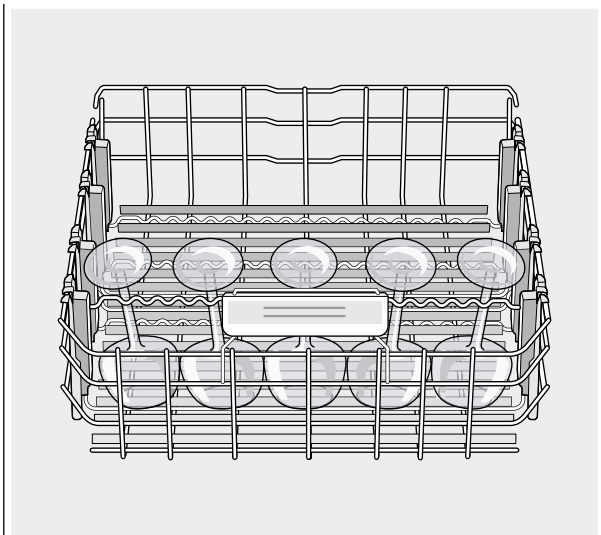
Faites glisser les supports le long de la courbe et jusqu'à la hauteur désirée. Assurez-vous que les deux côtés du support sont à la même hauteur.

Choisir la bonne hauteur pour les supports



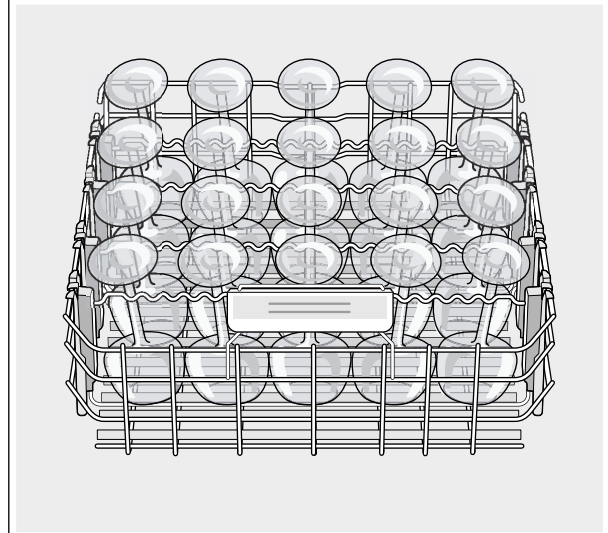
Positionnez les supports à la hauteur qui fournira une stabilité optimale au verre légèrement incliné. Pour les verres à vin, assurez-vous que la tige repose dans une cavité.

Charger la rangée du devant en premier

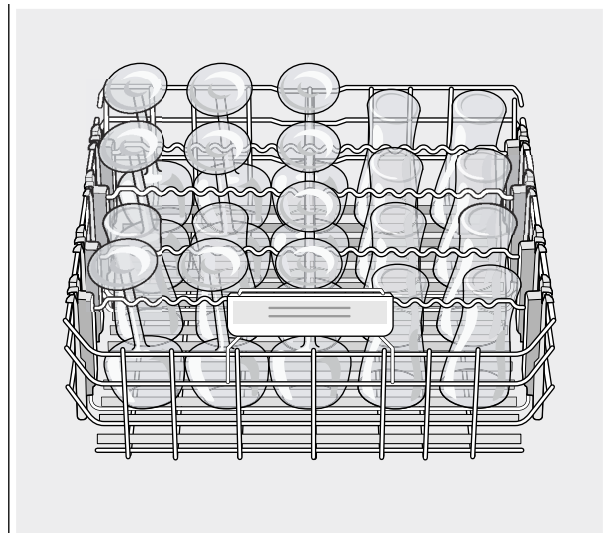


Chargez la rangée du devant en premier pour un résultat optimal. Déchargez le panier en commençant par la rangée du fond.

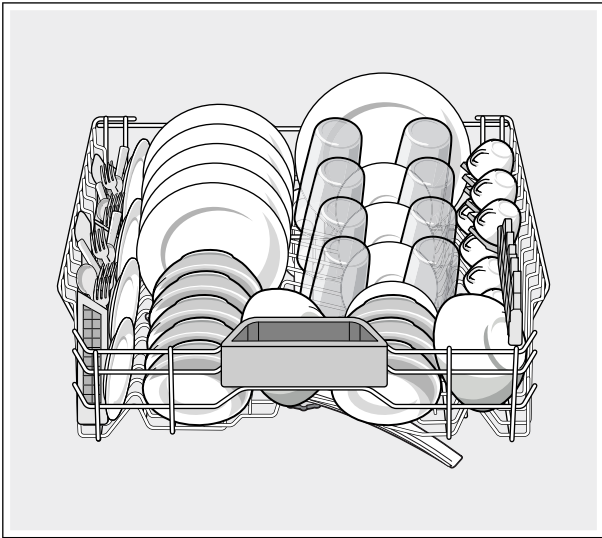
Chargement avec verres à vin uniquement



Chargement avec divers types de verres



Profil de chargement recommandé pour le panier supérieur



Retrait de la vaisselle

⚠ ATTENTION

La vaisselle peut être brûlante immédiatement après un cycle. Ouvrez la porte légèrement et laissez la vaisselle se refroidir quelques minutes avant de la retirer.

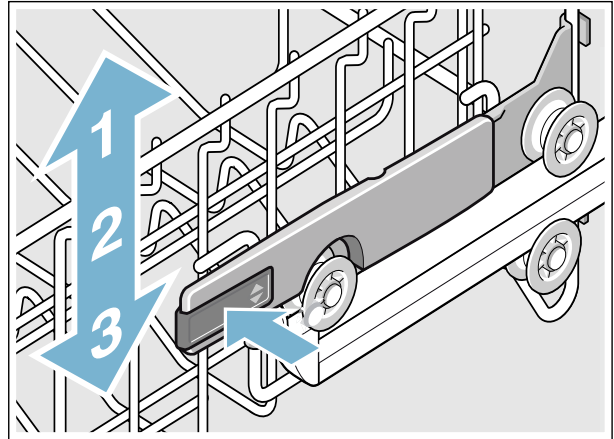
Remarque : Les plats sont plus susceptibles de s'ébrécher lorsqu'ils sont déchargés avant d'être refroidis.

Lors du retrait de la vaisselle, pour éviter que l'eau ne coule sur les plats secs, videz d'abord le panier inférieur [28]. Ensuite, déchargez le panier à ustensiles [21] suivi du panier supérieur [20], puis le troisième panier (s'il y a lieu).

RackMatic®

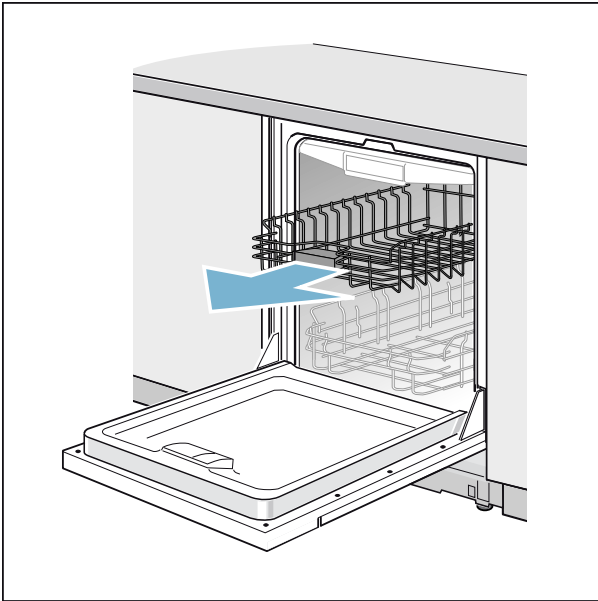
La hauteur du panier supérieur [20] peut être ajustée à 3 niveaux afin de créer plus d'espace.

1. Faites sortir le panier supérieur du lave-vaisselle jusqu'à la butée.
2. Pour abaisser le panier, poussez le levier RackMatic® lever vers l'intérieur.
3. Pour relever le panier, tenez les côtés du panier supérieur et soulevez-le.



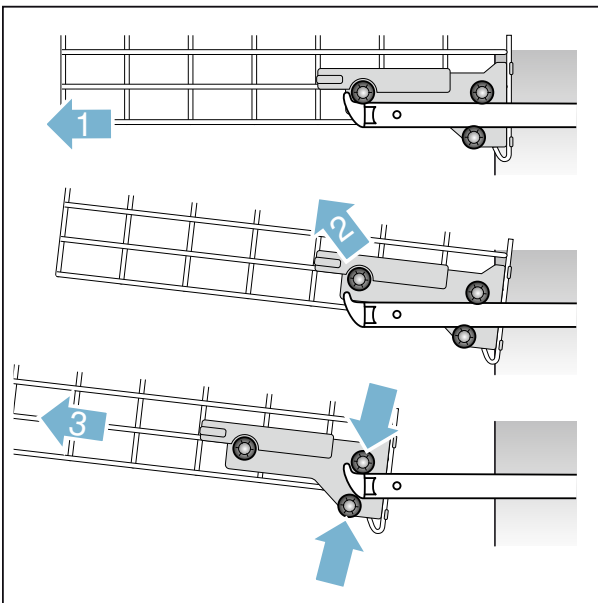
Remarque : Vérifiez que le bras gicleur n'est pas bloqué après réglage.

Retirer/installer le panier supérieur avec Rackmatic®



Retirer le panier supérieur [20]

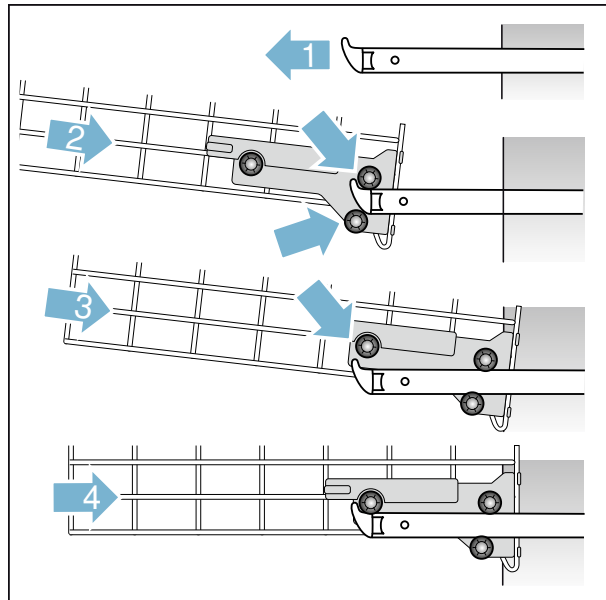
1. Sortez le panier supérieur jusqu'au bout (1).
2. Soulevez les galets avant sur le crochet de butée de la glissière (2).
3. Sortez le panier supérieur vers l'avant et vers le haut, de sorte que les galets supérieurs et inférieurs du panier coulissent au-dessus des crochets de butée des deux glissières (3).



Installer le panier supérieur [20]

1. Sortez les glissières du panier supérieur jusqu'au bout (1).
2. Insérez le panier supérieur incliné. Assurez-vous que les crochets de butée des deux glissières coulissent entre les galets supérieurs et inférieurs sur le côté arrière du panier (2).

3. Glissez le panier supérieur à l'intérieur et soulevez les galets supérieurs au-dessus des crochets de butée avant des deux glissières (3).
4. Insérez le panier supérieur en le poussant (4).



Détergent

Utilisez uniquement un détergent spécialement conçu pour les lave-vaisselle. Pour de meilleurs résultats, utilisez un détergent pour lave-vaisselle en poudre ou des comprimés détergents.

AVIS : Pour éviter d'endommager le lave-vaisselle :

- évitez d'utiliser des détergents pour vaisselle à la main dans votre lave-vaisselle.
- N'utilisez pas trop de détergent si l'eau utilisée est douce. L'utilisation d'une quantité excessive de détergent avec une eau douce peut rayer la verrerie et la porcelaine fine.
- Pour mieux protéger le verre, utilisez un cycle de nettoyage avec une température peu élevée ou un cycle conçu spécifiquement pour le verre (selon le modèle) et utilisez un détergent avec une protection contre les marquages.

Ce lave-vaisselle nécessite moins d'eau que les autres, et par conséquent, moins de détergent. Avec de l'eau froide, 1 cuillère à soupe (15 ml) de détergent suffira pour le nettoyage. Le distributeur de détergent dispose de traits de graduation correspondant à 1 cuillère à soupe (15 ml) et 1,75 cuillères à soupe (25 ml). 3 cuillères à soupe (45 ml) de détergent rempliront complètement le distributeur de détergent.

Remarque : Si vous ignorez la dureté de votre eau, utilisez 15 ml de détergent. Si nécessaire, ajoutez la quantité minimale nécessaire au nettoyage impeccable de vos ustensiles de cuisine.

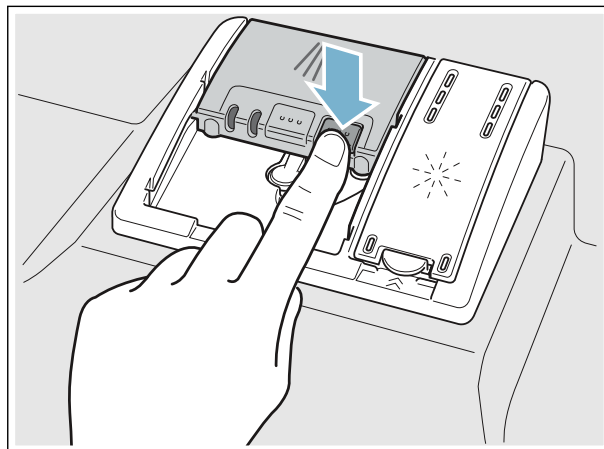
Servez-vous des lignes de référence du distributeur de détergent comme aide à la mesure de la quantité de détergent recommandée dans le tableau suivant.

Cycle de nettoyage	Eau dure/ Souillure importante	Moyenne Eau/ Souillure moyenne	Eau douce/ Souillure légère/
Auto	3 c. à soupe (45 ml)	1,75-3 c. à soupe (25-45 ml)	1-1,75 c. à soupe (15-25 ml)
Normal	1,75-3 c. à soupe (25-45 ml)	1,75 c. à soupe (25 ml)	1-1,75 c. à soupe (15-25 ml)
Verre	1,5-2,75 c. à soupe (22-40 ml)	1,35 - 1,75 c. à soupe (20-25 ml)	1-1,5 c. à soupe (15-22 ml)
Star Speed	1,75 c. à soupe (25 ml)	1-1,75 c. à soupe (15-25 ml)	1 c. à soupe (15 ml)
1 Hour (1 heure)	1,75 c. à soupe (25 ml)	1-1,75 c. à soupe (15-25 ml)	1 c. à soupe (15 ml)
Quick (Rapide)	1,75 c. à soupe (25 ml)	1-1,75 c. à soupe (15-25 ml)	1 c. à soupe (15 ml)
Rinse (rinçage)	aucun	aucun	aucun

Ajout de détergent

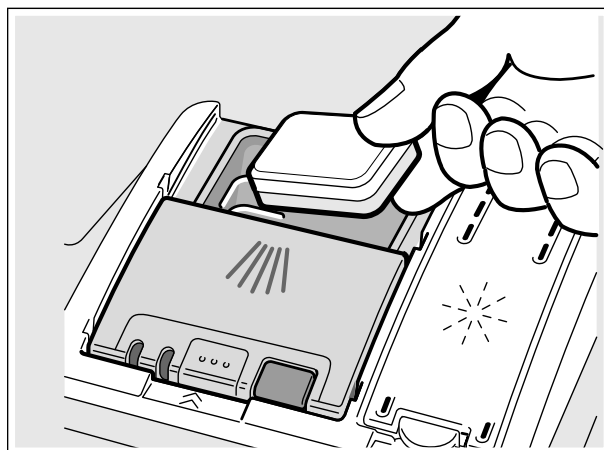
1. Si le distributeur de détergent [30] demeure fermé, appuyez sur le bouton [31] pour l'ouvrir.

Remarque : Assurez-vous que le distributeur de détergent est sec avant d'ajouter du détergent.

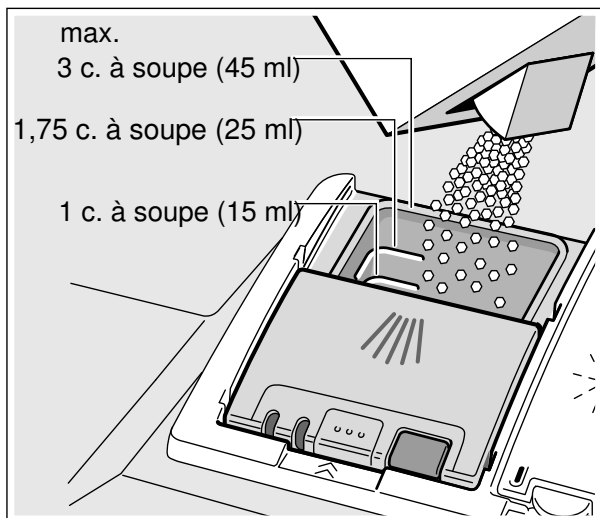


2. En cas d'utilisation de comprimés détergents, placez-les de telle sorte qu'ils n'entrent pas en contact avec le couvercle. Insérez-les à plat et non sur le côté.

Remarque : Ne placez pas les comprimés détergents dans le compartiment à détergent [23]. Placez les comprimés ou d'autres formes de détergent directement dans le distributeur de détergent [30].

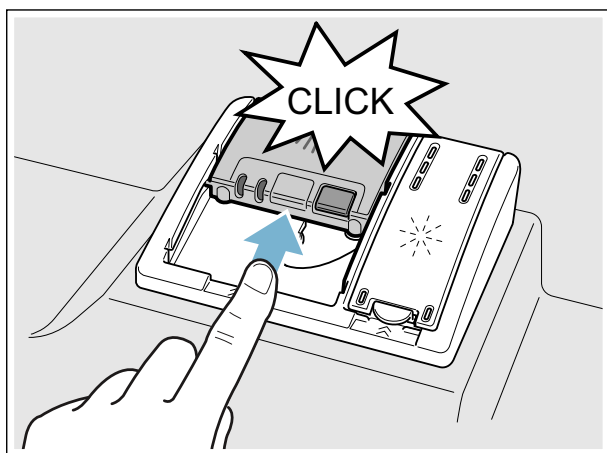


Si vous utilisez du détergent, versez-le uniquement dans le distributeur de détergent sec [30]. Le distributeur de détergent ne doit pas déborder.



Dosage : voir les instructions du fabricant sur l'emballage.

3. Fermez le couvercle en plaçant le doigt sur le couvercle tel qu'illustré. Faites glisser le couvercle pour fermer et appuyez dessus fermement jusqu'à entendre un clic.



Le distributeur de détergent s'ouvrira automatiquement au moment approprié pour le cycle défini. Le détergent liquide ou en poudre est dispersé dans l'appareil et dissout, les comprimés détergents tombent dans le compartiment à détergent [23] où ils se dissolvent tout au long du cycle.

Conseil : Si les ustensiles sont peu souillés, une quantité de détergent légèrement inférieure à celle recommandée est suffisante.

Cycles du lave-vaisselle

Remarque : Afin d'économiser de l'énergie, il est recommandé de régler l'option **Auto Power Off** sur « after one minute » (Après 1 minute).

Cycle de nettoyage	Usage recommandé	Option du cycle de nettoyage possible
Auto*	Le cycle le plus intelligent, avec la détection de salissure la plus souple, idéal pour la vaisselle mélangée et souillée par les aliments.	tout
Normal* (voir la note au bas du tableau)	Recommandé pour une utilisation quotidienne, régulière ou typique pour le lavage complet d'un chargement plein de vaisselle à souillure normale.	tout Remarque : Pour obtenir un rendement optimal avec une consommation minimale d'énergie, il est recommandé de désactiver toutes les options et tous les réglages disponibles à l'exception de l'option Auto Power Off - réglée à "after one minute" (Après 1 minute).
Glass (verre)	Parfait pour les verres à vin, les verres normaux et autre vaisselle fragile. Ce cycle utilise une température plus faible afin de protéger la vaisselle.	toutes à l'exception de sanitize (désinfecter)
Star Speed	Un cycle de lavage complet à l'eau chaude en 20 minutes - le plus rapide de l'industrie. Le pré-chauffage novateur de l'eau vous permet de laver de multiples chargements un après l'autre en un temps record. Pour un résultat optimal, utilisez ce cycle pour nettoyer de la vaisselle légèrement sale avec du détergent liquide ou en poudre.	Delay, Extra Dry (Retardé, séchage supplémentaire)
1 Hour (1 heure)	Nettoie les plats fraîchement souillés et faciles à nettoyer. Ce cycle a une durée réduite, mais il comprend malgré tout un cycle de séchage.	Delay, Extra Dry, Extra Shine (Retardé, séchage supplémentaire, extran lustré)
Quick (Rapide)	Permet de nettoyer les plats légèrement encrassés et de réduire le temps total de nettoyage à 30 minutes.	Delay, Extra Dry, Extra Shine (Retardé, séchage supplémentaire, extran lustré)
Rinse (Rinçage)	Utilisez ce cycle si vous désirez faire un rinçage préalable de vos plats afin d'éviter des odeurs. Placez les plats non rincés dans le lave-vaisselle et sélectionnez le cycle Rinse (Rinçage) . Utilisez moins d'eau qu'un lavage manuel et consomme peu d'énergie.	Delay (Retardé)

*Ce cycle est désinfecté avec l'option Sanitize (Désinfection).

Remarque : L'étiquetage Energy Guide se base sur le cycle de détection du niveau de saleté **Normal** comme suit : l'unité a été testée avec un distributeur de produit de rinçage (liquide) vide [29]. Une seule dose de détergent a été introduite dans le distributeur de détergent [30], aucun détergent n'étant utilisé dans le cycle de pré-lavage. L'appareil n'a pas été soumis à un processus d'essai tronqué aux termes des définitions décrites dans la procédure d'essai. Nous recommandons, pour les chargements de vaisselle tel que celui décrit dans le test de certification en matière de performance énergétique, que le panier soit placé à la position la plus élevée.

Options de cycles du lave-vaisselle

PowerBoost®

Idéal pour un chargement mixte. Vous pouvez nettoyer les chaudrons et les poêles fortement souillés dans le panier inférieur avec des ustensiles souillés normalement dans le panier supérieur. La pression du jet dans le panier inférieur est augmentée et la température de séchage est légèrement plus élevée.

Half Load (chargement partiel)

Peut réduire la consommation d'eau lors du nettoyage de petites vaisselles légèrement souillées, remplissant pratiquement à moitié (ou moins) la capacité du lave-vaisselle.

Sanitize (Désinfecter)

Cette fonction augmente les températures et les maintient pendant une durée prolongée afin d'obtenir des performances d'assainissement prédéfinies. L'utilisation continue de cette fonction améliore le niveau d'hygiène. Cette option supplémentaire est idéale pour le lavage d'articles tels que des planches à découper et des biberons.

Cette option peut également améliorer le séchage. Cela pourrait rallonger le cycle et faire augmenter la consommation d'énergie.

Extra sec

Une température accrue lors du rinçage final ainsi qu'une phase de séchage plus longue permettent d'assurer un meilleur séchage de la vaisselle en plastique. La consommation énergétique de cette option est légèrement plus élevée.

Extra Shine (extra lustré)

Produit un résultat supérieur pour les verres et la vaisselle lustrés en augmentant légèrement la consommation d'eau. Utilisez un agent de rinçage pour de meilleurs résultats.

Informations sur le cycle de lavage

Pour économiser de l'énergie, ce lave-vaisselle dispose d'un système EcoSense dans lequel les capteurs du lave-vaisselle ajustent automatiquement les variations de longueur, de température et d'eau du cycle en fonction du niveau de souillure alimentaire et de la température de l'eau entrante. Les décisions prises par le « Contrôle intelligent » peuvent causer un ajustement intermittent du temps et de l'eau utilisée pour le cycle. **Les temps du cycle de lavage sont définis en fonction température d'alimentation en eau de 120°F (49° C).** Si la température d'alimentation en eau de votre maison est autre que 120°F (49° C), les temps de cycle de votre lave-vaisselle peuvent être affectés.

	AUTO	Normal	Verre	StarSpeed	1 Hour (1 heure)	Quick (Rapide)	Rinse (rinçage)
Temps de cycle en min.	105 - 129	130 - 135	80-85	20	60	35	9
Consom. d'eau en L (gal)	10,8-22 (2,9-5,8)	9,1-21,2 (2,4-5,6)	9-14,2 (2,4-3,8)	5,5 (1,5)	14,3 (3,8)	10,3 (2,7)	4,1 (1,1)
Temp. de nettoyage en °F (°C)	127-131 (53-55)	113-131 (45-55)	113-122 (45-50)	122 (50)	122 (50)	113 (45)	entrant
Temp. de rinçage en °F (°C)	153-162 (67-72)	147-156 (64-69)	144 (62)	135 (57)	158 (70)	126 (52)	entrant
Power Boost (puissance augmentée)							
Temps de cycle en min.	120-145	145-150	95-100	S/O	S/O	S/O	S/O
Consom. d'eau en L (gal)	11,2-22 (3-5,8)	9,1-21,2 (2,4-5,6)	9-14,2 (2,4-3,8)	S/O	S/O	S/O	S/O
Temp. de rinçage en °F (°C)	153-162 (67-72)	147-156 (64-69)	144 (62)	S/O	S/O	S/O	S/O
Half Load (Demi-charge)							

	AUTO	Normal	Verre	StarSpeed	1 Hour (1 heure)	Quick (Rapide)	Rinse (rin- çage)
Temps de cycle en min.	95-115	115-120	75-80	S/O	S/O	S/O	S/O
Consom. d'eau en L (gal)	8,1-14,4 (2,1-3,8)	10,8-13,9 (2,9-3,7)	9-12,2 (2,4-3,8)	S/O	S/O	S/O	S/O
Temp. de rinçage en °F (°C)	158-162 (70-72)	162 (72)	144 (62)	S/O	S/O	S/O	S/O
Sanitize (Désinfecter)							
Temps de cycle en min.	140-155	140-155	S/O	S/O	S/O	S/O	S/O
Consom. d'eau en L (gal)	10,8-22 (2,9-5,8)	9,1-21,2 (2,4-5,6)	S/O	S/O	S/O	S/O	S/O
Temp. de rinçage en °F (°C)	162 (72)	162 (72)	S/O	S/O	S/O	S/O	S/O
Extra Dry (Séchage Supplémentaire)							
Temps de cycle en min.	140-155	140-155	110-115	30	90	65	S/O
Consom. d'eau en L (gal)	10,8-22 (2,9-5,8)	9,1-201,2 (2,4-5,6)	9-14,2 (2,4-3,8)	5,5 (1,5)	14,3 (3,8)	10,3 (2,7)	S/O
Temp. de rinçage en °F (°C)	162 (72)	162 (72)	162 (72)	135 (57)	162 (72)	162 (72)	S/O
Extra Shine (extra lustré)							
Temps de cycle en min.	115-139	130-135	75-85	S/O	70	50	S/O
Consom. d'eau en L (gal)	14,1-25,3 (3-4,7)	9,1-21,2 (2,4-5,6)	12,5-15,8 (3,3-4,2)	S/O	17,6 (4,6)	13,6 (3,6)	S/O
Temp. de rinçage en °F (°C)	136 (58)	154-156 (68-69)	145 (63)	S/O	158 (70)	126 (52)	S/O

Remarque : Seuls les cycles de désinfection ont été conçus de manière à respecter les exigences de la Section 6 de la norme NSF/ANSI 184 relative aux équipements à usage résidentiel destinés à l'élimination de salissures et à la désinfection efficaces. À cet effet, aucune indication ne spécifie, directement ou indirectement, que tous les cycles ont passé avec succès les tests de performance en matière d'assainissement.

Mise en marche du lave-vaisselle

Remarque : Avec les fonctions masquées, la porte doit être ouverte avant le changement des réglages et fermée une fois ces réglages effectués.

▲ AVERTISSEMENT

RISQUE DE BLESSURES

Pour éviter des risques de blessures, faites toujours attention lorsque vous ouvrez la porte pendant ou après un cycle de lavage car des rejets d'eau chaude ou de vapeur peuvent survenir. N'ouvrez pas complètement la porte avant que les bruits d'eau n'aient cessés et que la vapeur ne soit dissipée.

Pour réduire le risque de blessure, interdisez aux enfants de jouer dans ou sur le lave-vaisselle.

À l'âge adulte leur permettant d'utiliser la machine, les enfants sont sous la responsabilité de leurs parents/tuteurs légaux qui doivent s'assurer qu'ils sont suffisamment instruits sur les bonnes pratiques par des personnes qualifiées.

Protection contre une opération involontaire

Votre lave-vaisselle est équipé d'une fonction qui aide à empêcher toute utilisation involontaire (par exemple par des enfants).

Après le démarrage du lave-vaisselle, la porte doit être fermée dans les 4 secondes qui suivent ou l'opération sera interrompue. Un signal apparaîtra alors sur le panneau de contrôle, vous invitant à appuyer de nouveau sur le bouton Départ et à fermer la porte.

Cette fonction s'active lorsque :

- vous appuyez sur Départ pour lancer un cycle de lavage
- vous réglez le Départ différé et appuyez sur Départ
- vous ouvrez la porte alors que le Départ différé est enclenché
- vous ouvrez la porte au cours d'un cycle de lavage

Remarque : Il est impossible de désactiver cette fonction.

Utilisation des boutons tactiles

Les boutons sont sensibles et doivent être légèrement touchés. Évitez que la graisse ou les particules d'aliments ne se déposent sur les boutons, cela peut activer le lave-vaisselle.

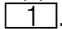
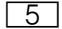
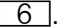
L'essuyage et le nettoyage peuvent également activer le lave-vaisselle. Pour un rendement optimal, touchez les boutons avec des mains nues et propres.

Pour nettoyer les boutons tactiles, essuyez-les avec un chiffon sec ou légèrement humide.

Modification des réglages

Le lave-vaisselle a été configuré avec certains réglages pour votre confort. Il est possible de modifier ces réglages usine.

Vous pouvez modifier les réglages suivants :

1. Appuyez sur le bouton ON/OFF (MARCHE/ARRÊT) .
2. Appuyez et maintenez la touche **setup 3 sec.** enfoncée pendant 3 secondes.
Vous verrez apparaître à l'écran  **5 H:0**... et **set**.
3. Appuyez sur le bouton **setup 3 sec.** pour enregistrer le réglage individuel.
4. Ajustez le réglage avec les boutons **- et +** .
5. Appuyez et maintenez la touche **setup 3 sec.** enfoncée pendant 3 secondes.

Les paramètres sélectionnés ont été sauvegardés dans le lave-vaisselle.

AquaSensor

L'AquaSensor est un outil de mesure optique qui évalue la propreté de l'eau de rinçage.

L'AquaSensor est utilisé en fonction du cycle de lavage. Si l'AquaSensor est activé, l'eau de rinçage « propre » peut être réutilisée pour le prochain rinçage et la consommation d'eau peut ainsi être réduite de 0,8 à 1,5 gal (3 à 6 litres). Si l'eau de rinçage n'est pas encore propre, celle-ci est évacuée et remplacée par de l'eau claire. Pour les cycles de lavage automatiques, la température ainsi que la durée du cycle peuvent également être ajustées en fonction du degré de souillure.

Réglage des capteurs

Les programmes automatiques de l'électroménager utilisent des capteurs afin d'optimiser leur résultat. Ceux-ci ajustent la puissance des programmes automatiques selon le degré et le type de souillure. Trois niveaux de sensibilité des capteurs sont disponibles.

Le réglage SE:00: Ce réglage est idéal pour un chargement mixte et des ustensiles fortement souillés. Il permet également d'économiser de l'énergie et de l'eau.

Le réglage SE:01: Ce réglage ajuste la puissance du programme pour éliminer efficacement les restes de nourriture, même si le degré de souillure est faible. La consommation en énergie et en eau est ajustée en conséquence.

Le réglage SE:02: Ce réglage ajuste la puissance du programme pour éliminer les souillures les plus tenaces, comme les restes de nourriture séchés. Ce réglage est recommandé si vous utilisez des détergents biologiques ou écologiques, qui contiennent une quantité moindre d'agents actifs. La consommation en énergie et en eau est ajustée en conséquence.

Affichage de l'heure

Lorsqu'un cycle de nettoyage est sélectionné, la durée restante du cycle est indiquée sur l'afficheur .

La durée du cycle de nettoyage est déterminée par la température de l'eau lors du cycle de nettoyage, la quantité de vaisselle, ainsi que son degré de souillure. Elle peut aussi varier selon le cycle de lavage choisi.

Démarrage retardé

Vous pouvez choisir de retarder le démarrage du cycle d'environ 24 heures, par intervalles d'une heure.

h:01 Retard de 1 heure

h:24 Retard de 24 heures

Pour définir le démarrage retardé :

1. Ouvrez la porte et appuyez sur le bouton **On/Off** (Marche/Arrêt) . Sélectionnez un cycle.
2. Appuyez sur le bouton **Delay** (Retard) à partir des options de lavage du cycle jusqu'à ce que le temps affiché corresponde à vos besoins.
3. Appuyez sur le bouton **Start** (Démarrer) pour activer le Démarrage retardé.

Pour annuler le démarrage retardé :

1. Ouvrez la porte et appuyez sur le bouton **Delay** (Retard) jusqu'à ce que *h:00* soit affiché sur l'afficheur numérique .
2. Appuyez sur le bouton **Start** (Démarrer) pour enregistrer le paramètre.

Fin du cycle de nettoyage

Le cycle de nettoyage est terminé lorsque l'écran indique *0:00*.

Si le signal sonore est activé, un son retentit à la fin du cycle de lavage.

SL:00 Désactivé

SL:01 faible

SL:02 moyen

SL:03 fort

Auto power off (Arrêt automatique)

Pour économiser de l'énergie, le lave-vaisselle est arrêté 1 minute après la fin du cycle de lavage. Vous pouvez également modifier ce paramètre.

Voici les réglages possibles :

- *P:00*: Le lave-vaisselle ne s'arrête pas automatiquement.
- *P:01*: Le lave-vaisselle s'arrête automatiquement après 1 minute.
- *P:02*: Le lave-vaisselle s'éteint après 2 heures.

Mise hors tension de l'appareil

Peu de temps après la fin du cycle de lavage :

1. Ouvrez la porte.
2. Appuyez sur le bouton Marche/Arrêt .
3. Fermez l'approvisionnement en eau.
4. Sortez les ustensiles lorsque ceux-ci ont refroidi.

▲ AVERTISSEMENT

RISQUE DE BLESSURES

Pour éviter des risques de blessures, faites toujours attention lorsque vous ouvrez la porte pendant ou après un cycle de lavage car des rejets d'eau chaude ou de vapeur peuvent survenir. N'ouvrez pas complètement la porte avant que les bruits d'eau n'aient cessés et que la vapeur ne soit dissipée.

Pour réduire le risque de blessure, interdisez aux enfants de jouer dans ou sur le lave-vaisselle.

À l'âge adulte leur permettant d'utiliser la machine, les enfants sont sous la responsabilité de leurs parents/tuteurs légaux qui doivent s'assurer qu'ils sont suffisamment instruits sur les bonnes pratiques par des personnes qualifiées.

Interruption du cycle de lavage

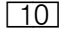
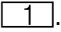
▲ ATTENTION

Une pression trop excessive peut provoquer l'ouverture de la porte et le ruissellement d'eau! Si la porte a été ouverte et que celle-ci est chaude ou que le raccordement est chaud, laissez-la toujours entrouverte quelques minutes, puis fermez-la.

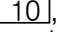
1. Ouvrez la porte.
2. Appuyez sur le bouton On/Off (Marche/Arrêt) . Les DEL s'éteignent. Le cycle de lavage a été sauvegardé.
3. Pour poursuivre le cycle, appuyez de nouveau sur le bouton On/Off (Marche/Arrêt) .
4. Fermez la porte.

Remarque : Votre lave-vaisselle est protégé contre les mises en marche involontaires. Si la porte de l'appareil reste ouverte durant plus de 4 secondes après que vous ayez appuyé sur le bouton Démarrer, l'opération est suspendue. Appuyez de nouveau sur le bouton Démarrer et fermez la porte de l'appareil.

Annulation d'un cycle (Réinitialisation)

1. Ouvrez la porte et appuyez, tout en le maintenant enfoncé, sur le bouton **Start** (Démarrer)  pendant environ 3 secondes jusqu'à ce que l'afficheur indique **0:01**, puis refermez la porte.
2. Patientez environ 1 minute, le temps pour le lave-vaisselle d'être drainé.
3. Ouvrez la porte et appuyez sur le bouton **On/Off** (Marche/Arrêt) .

Changement du cycle de lavage

Après avoir appuyé sur la touche **Start** , il est impossible de changer de cycle de lavage. Un changement de cycle de lavage n'est possible que via l'abandon d'un cycle de lavage (Réinitialisation (Reset)).

Séchage intensif

Le rinçage final utilise une température supérieure qui améliore le résultat de séchage (attention à votre vaisselle fragile). La durée du programme peut augmenter légèrement. Vous pouvez activer **d:01** ou désactiver **d:00** la fonction ExtraDry (séchage supplémentaire).

Infolight® *

Durant le cycle de lavage, un point lumineux est projeté au sol, sous la porte de l'appareil. N'ouvrez pas la porte de l'appareil avant que le point ait disparu. Si la porte de l'appareil n'est pas complètement fermée, le point lumineux clignote*. Dans des pièces sombres, une certaine diffusion de lumière peut être visible; ce phénomène est normal.

Vous pouvez activer **1:01** ou désactiver **1:00** l'InfoLight.

* option facultative qui peut être ou ne pas être incluse avec votre lave-vaisselle.

Time Remaining Power Beam^{MC} (affichage optique pendant le cycle de lavage) *

Durant le cycle de lavage, des informations supplémentaires sur le cycle (durée restante/images d'indication du cycle) sont projetées au sol, en face de l'appareil.

Vous pouvez activer **5:01** ou désactiver **5:00** cet affichage.

Tous les affichages de temps restant



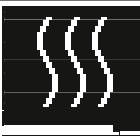
Pré-wash (pré-lavage)



Cleaning (Nettoyage)



Rinsing (Rinçage)



Drying (Séchage)

* option facultative qui peut être ou ne pas être incluse avec votre lave-vaisselle.

Entretien et maintenance

Une inspection régulière et une maintenance de votre appareil vous aideront à prévenir d'éventuelles pannes. Ceci vous permet de sauver du temps et de parer à de nouveaux problèmes.

Nettoyer le filtre du lave-vaisselle

- Essuyez régulièrement le devant de l'appareil à l'aide d'un chiffon légèrement humide; de l'eau et un peu de savon liquide suffisent.
- Avec des électroménagers en acier inoxydable (sauf ceux en acier inox noir), utilisez un produit à polir pour acier inoxydable pour sceller et protéger la surface.
- Nettoyez régulièrement les bords extérieurs du panneau intérieur de la porte afin d'éliminer les résidus déposés lors du chargement normal. Si des taches apparaissent sur l'acier inoxydable, assurez-vous que l'agent de rinçage est rempli et fonctionne correctement.
- Nettoyez régulièrement le joint de la porte avec un chiffon légèrement humide afin d'éliminer les particules alimentaires déposées lors du chargement normal et qui peuvent causer des odeurs. Un joint de porte souillé peut empêcher le bon verrouillage de celle-ci.

AVIS

- N'utilisez jamais un nettoyeur à vapeur pour laver votre lave-vaisselle. Le fabricant ne sera en aucun cas responsable des dégâts causés.
- Évitez d'utiliser des éponges, elles pourraient rayer les surfaces.
- N'utilisez pas de nettoyeurs ou de lingettes à base d'eau de Javel, elles pourraient endommager la surface ou l'impression.
- N'utilisez pas de vernis pour l'acier inoxydable sur de l'acier inox noir.

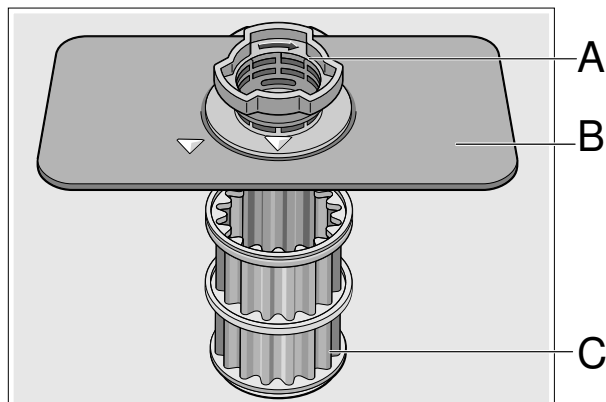
▲ AVERTISSEMENT

Faites preuve de prudence lorsque vous démontez les pièces pour le nettoyage, car certains débris peuvent être tranchants.

Filtres

Éléments de filtrage

Le système de filtration **27** est constitué de trois éléments.



A Filtre à gros éléments

Il empêche les objets qui ne devraient pas être placés dans votre lave-vaisselle d'endommager le système de pompage du lave-vaisselle ou d'obstruer le système d'évacuation de votre maison.

B Filtre fin plat

Il empêche les particules d'aliments d'entrer dans la chambre de lavage et dirige ces particules vers le micro-filtre.

C Micro-filtre

Il dirige les particules les plus petites vers le système de plomberie de la maison.

Intervalles de nettoyage

Le système de filtration [27] est conçu de manière à minimiser l'entretien tout en assurant un rendement de nettoyage élevé et une faible consommation d'énergie. Selon les habitudes d'utilisation et la dureté de l'eau, le système de filtration nécessite un certain entretien afin de garder son efficacité.

Vous pouvez nettoyer le système de filtration :

- lorsque vous y trouvez des résidus d'aliments ou si des éléments sont retenus dans le filtre à gros éléments.
- En cas de baisse d'efficacité ou si un film granuleux se forme sur la vaisselle.

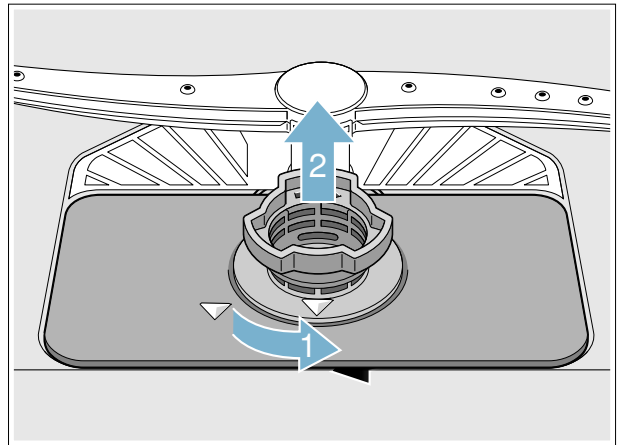
En cas de nettoyage de résidus alimentaires à incrustation normale raclés avant l'insertion de la vaisselle dans l'appareil, dans un ménage où le lave-vaisselle fonctionne un jour sur deux, le filtre de l'appareil doit être nettoyé :

Intervalle de nettoyage	Utilisation
3 à 6 fois par an	usage léger à moyen
8 à 12 fois par an	usage intensif

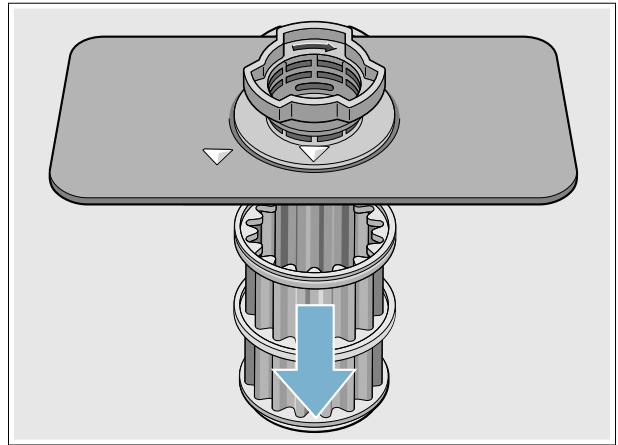
Remarque : Nettoyez le filtre après le lavage d'une vaisselle à grande quantité de résidus alimentaires ou d'une vaisselle à forte teneur en fécule afin de garder un rendement optimal.

Pour vérifier ou nettoyer le système de filtration :

1. Recherchez des traces de résidus dans les filtres après chaque cycle de lavage.
2. Dévissez le filtre à gros éléments tel qu'illustré et retirez tout le système de filtration.



3. Retirez le microfiltre du filtre fin pour faciliter le nettoyage.



4. Rincez les filtres sous l'eau courante et frottez-le avec une brosse souple.

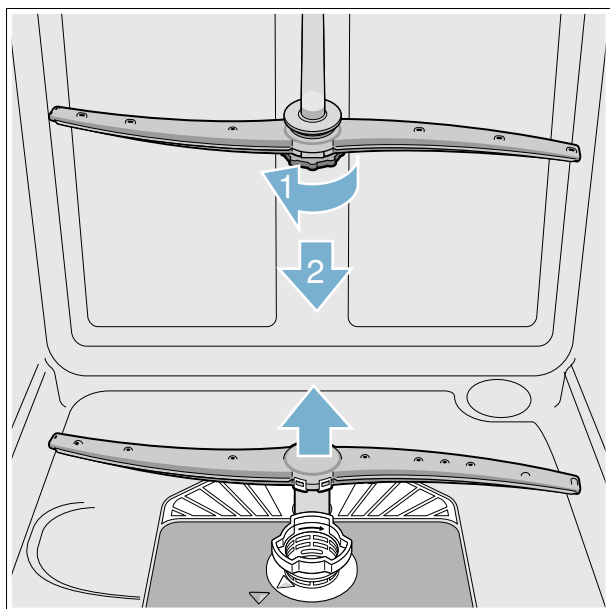
Remarque : n'utilisez pas de brosse abrasive ou de laine d'acier, etc., car elles pourraient endommager le filtre.

5. Remontez le système de filtration dans l'ordre inverse et fixez le filtre à gros éléments en le vissant jusqu'à ce que les flèches de marquage soient alignées.

Bras gicleurs

Le calcaire et des contaminants dans l'eau de rinçage peuvent bloquer les buses ainsi que les articulations des bras de pulvérisation [22] et [25].

1. Recherchez d'éventuelles obstructions des buses au bout des bras de pulvérisation.
2. Dévissez le bras de pulvérisation supérieur [22] (1) et retirez-le en tirant vers le bas (2).
3. Retirez le bras de pulvérisation inférieur [25] en le tirant vers le haut.



4. Nettoyez les bras de pulvérisation à l'eau claire.
5. Remontez les bras de pulvérisation.

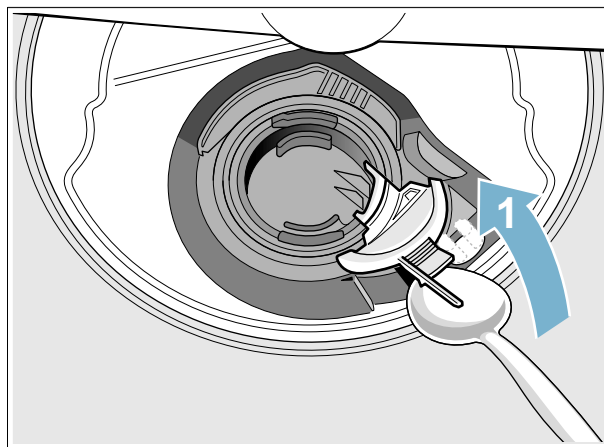
Pompe pour eaux résiduaires

De gros résidus alimentaires présents dans l'eau de rinçage et non retenus par les filtres peuvent obstruer la pompe pour eaux résiduaires. Dans ce cas :

⚠ AVERTISSEMENT

Soyez prudent lorsque vous démontez les pièces pour le nettoyage, car certains débris peuvent être tranchants.

1. Débranchez l'appareil du réseau électrique.
2. Sortez le panier supérieur [20] ainsi que le panier inférieur [28].
3. Retirez les filtres [27].
4. Videz l'eau résiduelle avec un récipient approprié - utilisez une éponge au besoin.
5. À l'aide d'une cuillère, débloquez le couvercle de la pompe (tel qu'illustré) jusqu'à entendre un clic, saisissez-le ensuite et tirez-le jusqu'à ce qu'une légère résistance se fasse sentir, puis tirez-le vers l'avant (1). Retirez complètement le couvercle.

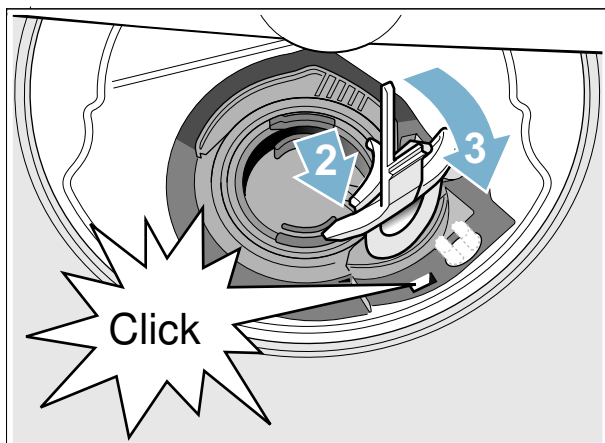


6. Contrôlez le compartiment interne et éliminez tout objet étranger.

⚠ AVERTISSEMENT

Soyez prudent lorsque vous démontez les pièces pour le nettoyage, car certains débris peuvent être tranchants.

7. Placez le couvercle de la pompe à sa position initiale (2), appuyez jusqu'à ce qu'il s'encliquette(3).



8. Placez le couvercle à sa position initiale, appuyez et bloquez-le.
9. Remontez les filtres.
10. Replacez les paniers.

Remarque : La pompe de vidange ne fonctionnera pas correctement si elle n'est pas totalement insérée, jusqu'à ce qu'elle émette un « clic ».

Rangement de l'appareil en cas d'inactivité

AVIS : Par temps chaud, avant d'aller en vacances, en plus de l'arrêt de la vanne principale, arrêtez également l'alimentation en eau au point le plus proche du lave-vaisselle. Ne pas laisser la vaisselle sale dans l'appareil et laisser la porte légèrement ouverte. Par temps froid, veuillez respecter les instructions suivantes relatives à la préparation de l'appareil pour l'hiver.

Préparation de l'appareil pour l'hiver

AVIS : En cas d'inutilisation de votre lave-vaisselle pour une période dans un emplacement aux températures hivernales (maison de vacances ou pendant une période de vacances), faites préparer votre lave-vaisselle pour l'hiver par un personnel qualifié.

Dépannage

Les lave-vaisselle peuvent occasionnellement présenter des problèmes sans rapport avec un dysfonctionnement dudit lave-vaisselle. Les informations suivantes peuvent vous aider à résoudre un problème afférent au lave-vaisselle sans la nécessité de recourir à un professionnel.

Remarque : Si l'appareil s'arrête en cours de lavage, ou s'il ne se met pas en route pour une raison quelconque, lancez un cycle d'annulation (Réinitialisation) en premier lieu.

▲ AVERTISSEMENT

DES RÉPARATIONS INADAPTÉES OU L'UTILISATION DE PIÈCES QUI NE SONT PAS D'ORIGINE PEUVENT PROVOQUER DES DÉGÂTS

CONSIDÉRABLES ET METTRE EN DANGER L'UTILISATEUR

Faites effectuer toute réparation par un technicien qualifié. Si un élément doit être remplacé, utilisez toujours des pièces d'origine.

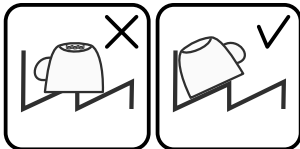
Message d'erreur

Certaines défaillances sont indiquées dans la partie supérieure de la fenêtre d'affichage [5] ainsi que sur l'affichage frontal* [13]. Des solutions possibles à ces problèmes sont fournies (par exemple : Système de filtration souillé (E22) → Nettoyez les filtres).

* option facultative qui peut être ou ne pas être incluse avec votre lave-vaisselle.

Tableau des défaillances

Erreur	Cause	Solution
Le code d'erreur E:18 est allumé.	Le tuyau d'alimentation est coudé ou bouché.	Installez le tuyau d'alimentation sans coudes.
	Le robinet est fermé.	Ouvrez le robinet.
	Robinet obstrué ou entartré.	Ouvrez le robinet. Le débit doit être de 10 l/min lorsque l'alimentation en eau est ouverte.
Le code d'erreur E:07 est allumé.	L'ouverture de l'arrivée d'eau (sur le côté droit de l'appareil) est obstruée par de la vaisselle.	Disposez la vaisselle de manière à ce qu'elle n'obstrue pas l'arrivée d'eau.
Le code d'erreur E:22 est allumé.	Les filtres [27] sont souillés ou obstrués.	Nettoyez les filtres.
Le code d'erreur E:24 est allumé.	Le flexible d'évacuation d'eau usée est coudé ou obstrué.	Installez le flexible d'alimentation sans coudes et retirez les résidus.
	Le raccord du siphon est scellé.	Examinez le raccord du siphon et ouvrez-le au besoin.
	Le couvercle de la pompe de drainage est mal fermé.	Fermez-le convenablement.
Le code d'erreur E:25 est allumé.	La pompe de drainage est obstruée ou le couvercle de la pompe de drainage est mal fermé.	Nettoyez la pompe et fermez le couvercle convenablement.
Le code d'erreur E:27 est allumé.	La tension d'alimentation est trop faible.	Il ne s'agit pas d'une défaillance de l'appareil. Faites vérifier la tension et l'installation électrique.
Un code d'erreur différent est affiché sur l'affichage numérique. (E:01 à E:30)	Une défaillance technique a probablement eu lieu.	Mettez l'appareil hors tension en appuyant sur le bouton ON/OFF [1]. Remettez l'appareil sous tension après un court moment. Si le problème persiste, fermez le robinet et débranchez la prise d'alimentation. Appelez le service à la clientèle et mentionnez le code d'erreur.
L'indicateur de remplissage de sels [4] et/ou d'agent de rinçage [3] est allumé.	Pas d'agent de rinçage.	Remplissez l'agent de rinçage.
	Pas de sels.	Remplir de sels.
	Le capteur ne détecte pas les comprimés de sel.	Utiliser un autre type de sels.

Erreur	Cause	Solution
L'indicateur de remplissage de sels [4] et/ou d'agent de rinçage [3] n'est pas allumé.	L'indicateur de remplissage est éteint.	Activation/désactivation.
Il reste de l'eau dans l'appareil à la fin du cycle de lavage.	Il reste encore suffisamment de sels/d'agent de rinçage.	Vérifiez le niveau des indicateurs de remplissage.
	Le système de filtration ou l'espace sous les filtres [27] est obstrué.	Nettoyez les filtres ainsi que la zone se trouvant sous ces derniers.
La vaisselle n'est pas sèche.	Le cycle de lavage n'est pas encore terminé.	Attendez la fin du cycle de lavage ou la réinitialisation de ce dernier.
	Distributeur d'agent de rinçage vide ou insuffisamment rempli.	Remplissez l'agent de rinçage.
	Cycle de lavage sélectionné sans séchage.	Sélectionnez un cycle de lavage avec séchage.
Il reste de l'eau dans les creux de la vaisselle et de l'argenterie.		Disposez la vaisselle de façon inclinée, en particulier celle qui présente des dépôts d'eau une fois le cycle de lavage terminé.
		
	Le détergent tout-en-un a des propriétés de séchage médiocres.	Utilisez un autre détergent tout-en-un avec de meilleures propriétés de séchage. L'utilisation d'un agent de séchage améliore également celui-ci.
	extraDry (Séchage Supplémentaire) pour améliorer le séchage non activé.	Activez extraDry (Séchage Supplémentaire).
	La vaisselle a été retirée trop tôt ou le séchage n'est pas encore terminé.	Attendez la fin du cycle de lavage ou attendez 30 minutes après la fin de celui-ci avant de retirer la vaisselle.
	L'agent de rinçage écologique a des propriétés de séchage médiocres.	Utilisez un agent de rinçage classique. Les produits écologiques peuvent avoir une efficacité limitée.
La vaisselle en plastique n'est pas sèche.	Le plastique a des propriétés particulières.	Les matières plastiques ne sèchent pas aussi bien car elles conservent mal leur chaleur.
L'argenterie n'est pas sèche.	L'argenterie n'est pas disposée correctement dans le panier prévu à cet effet.	Séparez l'argenterie. Évitez les points de contact si possible.
	L'argenterie n'est pas disposée correctement dans le troisième panier.	Disposez l'argenterie correctement et séparez-la si possible.
L'intérieur de l'appareil est humide après le cycle de rinçage.	Il ne s'agit pas d'une défaillance de l'appareil.	Les lave-vaisselles sèchent par condensation, c.-à-d. que l'air humide se condense sur les parois de la cuve pour être ensuite évacué.

Erreur	Cause	Solution
Traces de nourriture sur la vaisselle.	Pas assez d'espace entre les éléments, panier surchargé.	Disposez la vaisselle de manière adéquate en laissant suffisamment d'espace entre les éléments afin que les jets d'eau puissent atteindre toute leur surface. Évitez les points de contact.
	La rotation du bras de pulvérisation est entravée.	Disposez la vaisselle de sorte que le bras de pulvérisation puisse tourner sans entrave.
	Les buses du bras de pulvérisation sont bouchées.	Nettoyez les buses du bras de pulvérisation.
	Filtres [27] encrassés.	Nettoyez les filtres.
	Filtres [27] mal insérés et/ou non insérés.	Insérez les filtres correctement.
	Cycle de rinçage trop faible.	Choisissez un cycle de rinçage plus fort. Augmentez la sensibilité des capteurs.
	Le pré-lavage a enlevé la majorité des souillures, les capteurs ont alors choisi de lancer un cycle de lavage léger. Des souillures tenaces sont impossibles à enlever.	N'effectuez pas de rinçage préalable de la vaisselle. Ne retirez que le plus gros des souillures. Augmentez la sensibilité des capteurs. Le cycle de lavage « Normal » ou Intensif est recommandé.
	Les récipients longs et étroits ne sont pas bien rincés lorsqu'ils sont dans les coins du panier.	N'inclinez pas les contenants et ne les placez pas dans les coins.
Le panier supérieur [20] n'est pas à la même hauteur à gauche et à droite.	Repositionnez le panier supérieur de manière horizontale à l'aide des leviers latéraux.	
Le lave-vaisselle semble fonctionner trop longtemps.	L'eau entrante n'est pas assez chaude.	Avant de démarrer un cycle, ouvrez le robinet d'eau chaude au niveau de l'évier le plus proche du lave-vaisselle.
	Le temps de cycle peut varier en raison de l'état de souillure et de l'eau.	Les capteurs dans le lave-vaisselle augmentent automatiquement le temps du cycle pour assurer un bon lavage lorsque la souillure est détectée.
	Le distributeur de [29] produit de rinçage est vide.	Ajoutez le produit de rinçage.
	Lave-vaisselle connecté à l'alimentation en eau froide.	Vérifiez que le lave-vaisselle est connecté à la plomberie d'alimentation en eau chaude.
Remarque : : Vérifiez la durée spécifique du cycle de lavage.		

Erreur	Cause	Solution
Résidus de détergent.	Le couvercle du distributeur [30] de détergent est bloqué par la vaisselle et ne peut pas s'ouvrir complètement.	La vaisselle ne doit pas être placée au-dessus du compartiment détergent [23]. Cela peut bloquer le couvercle du distributeur de détergent et l'empêcher de s'ouvrir complètement. Ne placez pas de vaisselle ou de distributeur de parfum dans le compartiment à comprimé détergent.
	Le couvercle du distributeur à détergent [30] est bloqué par le comprimé détergent.	Le comprimé détergent doit être déposé à plat et non sur le côté.
	Comprimés détergents utilisés dans le cycle de lavage court ou rapide. Les comprimés détergents n'ont pas le temps de se dissoudre complètement dans le cycle de lavage court ou rapide.	Le temps de dissolution des comprimés détergents est trop long pour un cycle de lavage court. Utilisez un détergent en poudre ou sélectionnez un cycle de lavage plus fort.
	Les propriétés de nettoyage et de dissolution sont réduites après un temps d'entreposage prolongé ou si le détergent est grumeleux.	Changez de détergent.
Taches d'eau sur les parties en plastique.	La formation de gouttelettes sur les surfaces en plastique est physiquement impossible à éviter. Des traces d'eau sont visibles après le séchage.	Utilisez un cycle de lavage plus fort (avec davantage de changements d'eau). Disposez la vaisselle de manière inclinée. Utilisez un agent de rinçage. Au besoin, sélectionnez une valeur d'adoucissement de l'eau plus élevée.
Dépôt de pellicules solubles à l'intérieur de l'appareil ou sur la porte.	Dépôt de substances du détergent. Ces dépôts ne peuvent généralement pas être retirés à l'aide de produits chimiques (nettoyant pour lave-vaisselle, etc.).	Changez de marque de détergent. Nettoyez l'appareil à la main.
	Si une « pellicule blanche » est présente dans le fond de l'appareil, le système d'adoucissement de l'eau a été réglé sur une valeur trop faible.	Choisissez une valeur plus élevée et changez de détergent au besoin.
	Le couvercle du distributeur à sel [26] n'est pas fermé.	Fermez convenablement le couvercle du distributeur à sel.
	Uniquement pour le verre : les débuts de corrosion sur le verre ne peuvent être essuyés qu'en apparence.	Voir « Dégâts causés à la verrerie et l'argenterie ».
Dépôts de calcaire sur la vaisselle, le bassin, les paniers ou la porte.	Un résidu blanc recouvre l'intérieur du lave-vaisselle et les roues des paniers grincent en raison des dépôts de calcaire dans l'eau dure.	Utilisez un nettoyant à lave-vaisselle à tous les quelques mois. Si le lave-vaisselle a un adoucisseur d'eau, augmentez-en le réglage.
	L'eau dure a empêché les détergents 3 en 1 ou bio/écologiques d'être efficaces.	Utilisez un détergent à lave-vaisselle, un produit de rinçage et des sels adoucissants (si le lave-vaisselle est muni d'un adoucisseur) distincts et séparés.
	Sous-dosage du détergent.	Utilisez plus de détergent ou un détergent plus efficace.
	La température de rinçage est trop basse.	Choisissez un cycle de nettoyage plus intense avec des températures de nettoyage plus chaudes.

Erreur	Cause	Solution
Résidus de thé ou de rouge à lèvres sur la vaisselle.	La température de rinçage est trop basse.	Sélectionnez un cycle de lavage avec une température supérieure.
	Pas assez de détergent ou détergent inapproprié.	Utiliser un détergent et un dosage appropriés.
	Le prélavage a enlevé la majorité des souillures, les capteurs ont alors choisi de lancer un cycle de lavage léger.Des souillures tenaces sont impossibles à enlever.	N'effectuez pas de rinçage préalable de la vaisselle.Ne retirez que le plus gros des souillures. Augmentez la sensibilité des capteurs. Le cycle de lavage « Regular » (normal) est recommandé.
Film coloré (bleu, jaune, brun) dans le lave-vaisselle ou sur les ustensiles en inox.	Le film provient du mélange de dépôts alimentaires et de dépôts de minéraux.	Peut être partiellement retiré avec un nettoyeur à lave-vaisselle ou mécaniquement.
	Le film est formé par l'oxydation de l'argenterie ou des ustensiles en aluminium.	Peut être partiellement retiré avec un nettoyeur à lave-vaisselle ou mécaniquement.
Film coloré (jaune, orange, marron) à l'intérieur de l'appareil (principalement au fond) facile à enlever.	Film savonneux du mélange de nourriture et d'eau dure.	Utilisez un adoucisseur d'eau* - remplissez-le avec du sel ou augmentez le réglage si nécessaire. Utilisez du détergent à lave-vaisselle au lieu d'un détergent 3 en 1 ou écologique.
Pièces en plastique tachées ou décolorées.	Les pièces en plastique à l'intérieur de l'appareil peuvent se décolorer au fil de l'utilisation celui-ci.	Cette décoloration est normale et n'empêchera pas le lave-vaisselle de fonctionner correctement.
	La température de rinçage est trop basse.	Sélectionnez un cycle de lavage avec une température supérieure.
	Le prélavage a enlevé la majorité des souillures, les capteurs ont alors choisi de lancer un cycle de lavage léger.Des souillures tenaces sont impossibles à enlever.	N'effectuez pas de rinçage préalable de la vaisselle.Ne retirez que le plus gros des souillures. Augmentez la sensibilité des capteurs. Le cycle de lavage « Regular » (normal) est recommandé.
Taches amovibles sur les verres, verres avec une apparence métallique et l'argenterie.	Trop d'agent de rinçage.	Réglez la quantité d'agent de rinçage à une valeur moins élevée.
	Pas d'agent de rinçage ou valeur définie trop faible.	Ajoutez de l'agent de rinçage et vérifiez le dosage (valeurs recommandées 4 ou 5).
	Résidus de détergent déposés au cours du cycle de rinçage final. Le couvercle du distributeur de détergent est bloqué par la vaisselle et ne peut pas s'ouvrir complètement.	Le couvercle du distributeur de détergent ne doit pas être bloqué par la vaisselle. Ne placez pas de vaisselle ou de distributeur de parfum dans le compartiment à comprimé détergent.
	Le prélavage a enlevé la majorité des souillures, les capteurs ont alors choisi de lancer un cycle de lavage léger.Des souillures tenaces sont impossibles à enlever.	N'effectuez pas de rinçage préalable de la vaisselle.Ne retirez que le plus gros des souillures. Augmentez la sensibilité des capteurs. Le cycle de lavage « Regular » (normal) est recommandé.

Erreur	Cause	Solution
Verres ternis de manière irréversible.	Verres non adaptés au lavage en lave-vaisselle.	Utilisez des verres qui vont au lave-vaisselle. Évitez l'exposition prolongée à la vapeur (phase ayant lieu une fois le cycle de lavage terminé). Utilisez un cycle de lavage à basse température. Réglez le système d'adoucissement de l'eau selon la dureté de l'eau (choisissez une valeur inférieur d'un point au besoin). Utilisez un détergent contenant un agent qui protège le verre.
Points de rouille sur l'argenterie.	L'argenterie résiste mal à la rouille. Les lames des couteaux sont fréquemment plus sévèrement touchées.	Utilisez de l'argenterie résistante à la corrosion.
	L'argenterie rouillera également si des parties rouillées sont rincées en même temps (poignées de casseroles, paniers à ustensiles endommagés, etc.).	Ne lavez pas les éléments rouillés.
	Trop de sels dans l'eau de rinçage, à cause du couvercle du distributeur de sel qui n'a pas été fermé convenablement ou parce que des sels ont été versés à côté lors du remplissage.	Fermez le couvercle du distributeur convenablement ou retirez les sels versés à côté.
L'appareil ne peut pas être mis sous tension ou il ne fonctionne pas.	Défaillance.	Débranchez l'appareil du réseau électrique, débranchez la fiche secteur ou éteignez le fusible. Attendez au moins 5 secondes, puis rebranchez l'appareil au réseau électrique.
L'appareil ne se met pas en marche.	Le fusible de réseau a peut-être brûlé ou le disjoncteur s'est peut-être déclenché.	Vérifiez le fusible de réseau ou le disjoncteur.
	La porte est peut-être mal verrouillée.	Appuyez sur l'interrupteur d'alimentation principale pour mettre l'appareil sous tension.
	L'appareil est peut-être éteint.	Fermez complètement la porte.
	Le démarrage différé peut être activé.	Pour le réinitialiser, veuillez vous reporter à la rubrique « Démarrage différé » du présent manuel.
	La sécurité enfants est activée.	Désactivez la sécurité enfants. Veuillez vous reporter à la rubrique « Sécurité enfants » du présent manuel au besoin.
	La porte a probablement été fermée sans que le cycle ne soit préalablement sélectionné.	Sélectionnez un cycle et fermez la porte.
	Cordon d'alimentation non inséré.	Assurez-vous que le cordon d'alimentation est branché à la prise et raccordé à l'arrière de l'appareil. Vérifiez que la prise fonctionne.
	Le lave-vaisselle n'est peut-être pas connecté à l'alimentation en eau.	Vérifiez et rétablissez l'approvisionnement en eau.
	La porte n'est pas fermée correctement.	Fermez la porte.
	La portée est restée ouverte durant plus de 4 secondes après avoir appuyé sur le bouton START.	Appuyez à nouveau sur le bouton START et fermez la porte de l'appareil dans les 4 secondes qui suivent (voir « Protection contre les utilisations non désirées »).
Le cycle de lavage démarre automatiquement.	Vous n'avez pas attendu la fin du cycle de lavage.	Effectuez une réinitialisation. (voir « Annulation du cycle de lavage »).

Erreur	Cause	Solution
Le couvercle du distributeur de détergent ne peut être fermé.	Le distributeur de détergent ou le guide de son couvercle est bloqué par des résidus collants de détergent.	Retirez les résidus de détergent.
Résidus de détergent dans le distributeur de détergent [30] ou dans le compartiment à comprimé détergent [23].	Les bras de pulvérisation sont bloqués par la vaisselle et le détergent ne peut être rincé.	Assurez-vous que les bras de pulvérisation peuvent tourner librement.
	Le distributeur de détergent était humide lors du remplissage.	Ne versez du détergent que dans le distributeur de détergent sec.
L'appareil s'arrête en cours de cycle de lavage ou le cycle de lavage est interrompu.	La porte n'est pas fermée correctement.	Fermez la porte.
	Ne placez pas de vaisselle ou de distributeur de parfum dans le compartiment à détergent. Le panier supérieur appuie contre la porte et l'empêche de fermer correctement.	Vérifiez si le panneau arrière est éventuellement comprimé, par exemple par une prise ou un support de flexible n'ayant pas été retiré.
	Coupure d'alimentation électrique ou d'eau.	Rétablissez l'alimentation électrique ou d'eau.
Les valves de remplissage font un bruit important.	Cela dépend de votre installation domestique et n'est pas une défaillance de l'appareil. Aucun effet sur le fonctionnement de l'appareil.	Pas de solution.
Bruits de chocs ou de casse.	Le bras de pulvérisation heurte la vaisselle, celle-ci n'est pas disposée correctement.	Disposez la vaisselle de manière à ce que le bras de pulvérisation ne la touche pas.
	Si ces bruits surviennent alors que le chargement est léger, il s'agit alors des jets d'eau qui touchent la cuve de lavage.	Chargez davantage l'appareil ou disposez la vaisselle de manière plus uniforme dans celui-ci.
	La vaisselle légère bouge durant le cycle de lavage.	Disposez la vaisselle légère de manière sûre.
Formation de mousse inhabituelle.	Nettoyez manuellement le liquide dans le distributeur d'agent de rinçage.	Remplissez immédiatement le distributeur d'agent de rinçage.
	Rincez l'agent de rinçage ayant débordé.	Retirez l'agent de rinçage à l'aide d'un linge.

Service à la clientèle

Votre lave-vaisselle ne nécessite pas d'entretien autre que les mesures décrites dans la rubrique Entretien et maintenance du présent manuel. En cas de défaillance de votre lave-vaisselle, veuillez vous référer à la rubrique Guide de dépannage du présent manuel avant de contacter le service à la clientèle. Si la maintenance est nécessaire, contactez votre revendeur ou installateur, ou un centre de service agréé. N'essayez pas de réparer votre appareil vous-même. Toute réparation effectuée par un personnel non autorisé peut annuler la garantie.

En cas de problème avec votre lave-vaisselle et si vous n'êtes pas satisfait du service que vous avez reçu, veuillez suivre les étapes suivantes jusqu'à ce que le problème soit résolu à votre entière satisfaction :

1. Contactez votre installateur ou le Fournisseur de services agréé Thermador® de votre région.
2. Écrivez-vous depuis la section du service à la clientèle de notre site Web, **www.thermador.com** (É-U) ou **www.thermador.ca** (Canada).
3. Appelez-nous au **800-735-4328**
4. Écrivez-nous :

BSH Home Appliances Corporation
1901 Main Street, Suite 600
Irvine, CA 92614
É-U

Veuillez vous assurer d'indiquer les informations relatives à votre modèle ainsi qu'une explication du problème et la date à laquelle celui-ci est survenu. Vous trouverez les informations relatives au modèle et au numéro de série sur l'étiquette se trouvant à l'extrémité de la porte du lave-vaisselle. Veuillez faire une copie de votre facture et conservez-la avec le présent manuel. Pour bénéficier du service de garantie, il peut être demandé au client de présenter une preuve d'achat de l'équipement.

Déclaration de la garantie limitée du produit

Ce que couvre cette garantie et à qui elle s'applique :

La garantie limitée fournie par BSH Home Appliances (Thermador®) dans cette déclaration de garantie limitée s'applique seulement à l'appareil Thermador (« produit ») qui vous a été vendu, en tant que premier acheteur, pour autant que le produit ait été acheté :

- pour vos besoins personnels (non-commerciaux) et qu'il a été utilisé uniquement à des fins ménagères normales;
- neuf au détail (pas en tant qu'objet exposé, « en l'état », ou un modèle précédemment retourné), et non pour la revente, ou pour une utilisation commerciale; et
- aux États-Unis ou au Canada, et est en tout temps demeuré dans le pays d'achat. Les garanties mentionnées dans le présent manuel s'appliquent uniquement au premier acquéreur du Produit et ne sont pas transférables.

Thermador se réserve le droit d'exiger une preuve d'achat à chaque réclamation au titre de la garantie afin de confirmer que le produit relève du champ d'application de la présente garantie limitée de produit. Assurez-vous de retourner votre carte d'enregistrement; bien qu'il ne soit pas nécessaire d'effectuer une couverture de garantie, il s'agit toutefois du meilleur moyen pour Thermador de vous contacter en cas d'émission d'un avis de sécurité ou d'un rappel de produit.

Durée de la garantie

Thermador garantit que le produit est exempt de défaut de matériau et de fabrication pour une période de sept cent trente (730) jours (2 ans) à compter de la date d'achat. La période susmentionnée commence à partir de la date d'achat et ne saurait être retenue, retardée, prolongée ou interrompue pour quelque raison que ce soit.

Ce Produit est également garanti contre tout défaut de matériau et de fabrication **apparent** (tels les éraflures sur l'acier inoxydable, les défauts d'aspect de la peinture ou de la porcelaine, les ébréchures, les bosselures, ou autres dégâts au fini du Produit), pendant une période de trente (30) jours à compter de la date d'achat ou de la date de clôture pour une nouvelle construction. Cette garantie relative à **l'apparence** exclut les légères variations de couleur découlant des différences inhérentes aux pièces peintes et en porcelaine, ainsi que découlant des différences causées par l'éclairage de cuisine, l'emplacement du produit ou d'autres facteurs similaires. Cette garantie relative à **l'apparence** exclut plus particulièrement tout appareil électroménager en exposition, de plancher, « En l'état » ou de stock « B ».

Garantie limitée prolongée

BSH fournit également les garanties limitées supplémentaires ci-après :

- 5 ans de garantie limitée sur les appareils électroniques : BSH se chargera de la réparation ou du remplacement de tout microprocesseur BSH ou carte de circuit imprimée en cas de défaillance matérielle ou de défauts liés à la fabrication (à l'exception des coûts de travail).
- 5 ans de garantie limitée sur les paniers de vaisselle : BSH se chargera du remplacement du panier supérieur ou inférieur (excepté les composants de panier) si le panier présente des défaillances matérielles ou des défauts liés à la fabrication (à l'exception des coûts de travail).
- Garantie à vie contre la rouille de l'acier inoxydable : BSH se chargera de la réparation ou du remplacement de votre lave-vaisselle par un modèle similaire ou un tout nouveau modèle pratiquement équivalent ou meilleur en termes de fonctionnalités, si le revêtement intérieur rouille (à l'exception des coûts de travail).
- BSH se chargera de la réparation ou du remplacement de la porte en acier inoxydable en cas de rouille (à l'exclusion des coûts de travail).

Réparation ou remplacement : votre recours exclusif

Pendant ladite période de garantie, Thermador ou un de ses centres de réparation autorisés réparera le produit sans frais (sous réserve de certaines limitations indiquées aux présentes) si le produit présente un défaut de fabrication ou de matériau. En cas d'échec des tentatives raisonnables de réparation du produit, Thermador remplacera le produit (un modèle supérieur peut être mis à disposition, à la seule discrétion de Thermador, moyennant des frais additionnels). Toutes les pièces et les composants déposés doivent demeurer la seule propriété de Thermador. Toute pièce remplacée ou réparée doit être identique à la pièce d'origine aux fins de la présente garantie et la garantie ne sera pas prolongée à l'égard de telles pièces. La seule responsabilité de Thermador, en vertu des présentes, se limite à la réparation des produits défectueux au départ de l'usine, par le biais d'un fournisseur de services agréé Thermador pendant les heures de travail normales. Pour des considérations de sécurité et de condition de la propriété, Thermador vous recommande vivement de ne pas essayer de réparer le produit vous-même, ou de faire appel à un agent d'entretien non autorisé; Thermador ne saurait en aucun cas être considérée responsable des réparations ou des travaux effectués par un agent non autorisé. Si vous faites appel à un agent d'entretien autre qu'un fournisseur de services agréé pour la réparation de votre produit, **CETTE GARANTIE EST AUTOMATIQUEMENT ANNULÉE**. Les centres de service agréés sont les personnes ou les entreprises qui ont été spécialement formées sur les produits Thermador et qui possèdent, d'après Thermador, une très bonne réputation en matière de service à la clientèle et une capacité technique supérieure (il est à noter qu'il s'agit d'entités indépendantes et non des agents, partenaires, filiales ou représentants de Thermador). Nonobstant ce qui précède, Thermador ne saurait être tenue responsable d'aucune façon si le produit est situé dans une région éloignée (à plus de 100 miles d'un centre de réparation autorisé) ou n'est pas accessible de façon raisonnable, dans un environnement ou un local dangereux, menaçant ou périlleux; dans une telle éventualité, à la demande du consommateur, Thermador pourrait encore payer les frais de main-d'œuvre et de pièces et expédier les pièces au centre de réparation autorisé le plus près, mais le consommateur serait entièrement responsable pour tous les frais de déplacement et autres frais spéciaux encourus par le centre de réparation, en autant qu'il accepte la demande de réparation.

Produit hors garantie

Thermador n'est pas tenue, légalement ou autrement, de faire des concessions, y compris des réparations, des partages de frais ou un remplacement du produit une fois la présente garantie expirée.

Exclusions de garantie

La couverture de garantie décrite aux présentes exclut tous les défauts ou dommages dont Thermador n'est pas directement responsable, y compris, sans pour autant s'y limiter, l'un ou plusieurs des points suivants :

- L'utilisation du produit dans des conditions anormales ou inhabituelles, (y compris, de façon non exhaustive, toute forme d'utilisation commerciale, l'utilisation ou le stockage à l'extérieur d'un produit destiné à un usage interne, l'utilisation du produit conjointement avec des véhicules aériens ou nautiques);
- Une faute intentionnelle d'un tiers, la négligence, la mauvaise utilisation, l'utilisation abusive, des accidents, l'exploitation inadéquate, le manque d'entretien, la mauvaise installation, la falsification, le non respect des instructions d'utilisation, la manipulation sans précaution, les réparations non autorisées (y compris les réparations effectuées par l'utilisateur ou l'étude du fonctionnement interne de la machine par celui-ci);
- Réglage, modification ou altération de tout type ;
- Manquement à se conformer aux normes fédérales, provinciales, municipales ou électriques en vigueur au pays, aux codes de plomberie ou du bâtiment, aux réglementations ou aux lois, incluant le manquement d'installer le produit en stricte conformité avec les codes et les réglementations du bâtiment et d'incendie locaux.
- L'usure et la détérioration normales, les déversements d'aliments et de liquides, les accumulations de graisses ou d'autres substances sur, dans ou autour du produit ;
- Toute force ou tout facteur externe, élémentaire et/ou environnemental, incluant sans limitation, la pluie, le vent, le sable, les inondations, les incendies, les coulées de boue, le gel, l'humidité excessive ou l'exposition prolongée à l'humidité, la foudre, les surtensions, les problèmes de structure autour de l'appareil et les désastres naturels.

En aucun cas, Thermador ne sera tenue responsable de dommages matériels aux environs, incluant aux armoires, aux planchers, aux plafonds et aux autres objets ou structures avoisinant le produit. Également exclus de la garantie sont les produits dont les numéros de série ont été modifiés, effacés ou enlevés; les demandes de réparations pour enseigner le fonctionnement du produit ou les visites où il n'y a aucun problème avec le produit; la correction de problèmes d'installation (le consommateur est seul responsable pour toute structure et tout réglage du produit, incluant l'électricité, la plomberie et les autres raccordements nécessaires, pour une fondation/plancher approprié(e), et pour toute modification incluant, sans limitation, armoires, murs, planchers, tablettes, etc.) et le réenclenchement de disjoncteurs ou le remplacement de fusibles.

DANS LA MESURE OÙ LA LOI L'AUTORISE, CETTE GARANTIE DÉFINIT VOTRE RECOURS EXCLUSIF QUANT AU PRODUIT, QUELLE QUE SOIT LA NATURE DE LA DÉCLARATION, QU'IL S'AGISSE D'UN CONTRAT OU D'UN PRÉJUDICE (INCLUANT LA RESPONSABILITÉ ABSOLUE OU LA NÉGLIGENCE) OU AUTREMENT. LA

PRÉSENTE GARANTIE REMPLACE TOUTES LES AUTRES GARANTIES, EXPRESSES OU IMPLICITES. TOUTES GARANTIES IMPLICITES AUX TERMES DE LA LOI, INCLUANT LES GARANTIES DE QUALITÉ MARCHANDE OU D'APTITUDE À UN USAGE PARTICULIER, OU AUTREMENT, SONT LIMITÉES DANS LE TEMPS À LA DURÉE DE CETTE GARANTIE LIMITÉE EXPRESSE. LE FABRICANT NE SERA EN AUCUN CAS RESPONSABLE DE TOUTE « PERTE COMMERCIALE » IMMATÉRIELLE, PARTICULIÈRE, ACCESSOIRE, INDIRECTE, ET/OU DES DOMMAGES PUNITIFS, DES PERTES OU DES DÉPENSES, Y COMPRIS, SANS LIMITATION, L'ABSENCE AU TRAVAIL, LES FRAIS D'HOTÉLS ET/OU DE REPAS PRIS AU RESTAURANT, LES DÉPENSES DE RESTRUCTURATION EN SUS DES DOMMAGES DIRECTEMENT CAUSÉS PAR THERMADOR, OU AUTREMENT. CERTAINS ÉTATS N'AUTORISENT PAS L'EXCLUSION OU LA LIMITATION DE DOMMAGES ACCESSOIRES OU CONSÉCUTIFS, ET CERTAINS ÉTATS N'AUTORISENT PAS LA LIMITATION DE LA DURÉE DES GARANTIES IMPLICITES. PAR CONSÉQUENT, LES LIMITES SUSMENTIONNÉES POURRAIENT NE PAS VOUS CONCERNER. LA PRÉSENTE GARANTIE VOUS DONNE DES DROITS PRÉCIS RECONNUS PAR LA LOI ET VOUS POUVEZ ÉGALEMENT AVOIR D'AUTRES DROITS QUI VARIENT D'UN ÉTAT À L'AUTRE. Aucune tentative de modifier, changer ou amender la présente garantie ne peut être valide sans le consentement écrit autorisé par un dirigeant de BSH.

Comment bénéficier du service de garantie

Pour obtenir un service sous garantie pour votre Produit, contactez le centre de service autorisé Thermador le plus proche de chez vous.

Wi-Fi® Module

**FCC/IC
Statements**

**Model: COM2
FCC ID: 2AHES-COM2
IC: 21152-COM2**

The Home Connect module is a communication device designed to provide communication between appliances and smart devices.

This module is integrated at the factory, under direct control of B/S/H Home Appliances Corporation, and is not user serviceable or upgradable. At least 20cm separation distance should be maintained from device to user.

FCC COMPLIANCE STATEMENT

CAUTION: Changes or modifications not expressly approved could void your authority to use this equipment.

This device complies with Part 15 of the FCC Rules. Operation to the following two conditions:
(1) This device may not cause harmful interference, and (2) this device must accept any interference received, including interference that may cause undesired operation.

INDUSTRY CANADA STATEMENT

This device complies with Industry Canada licence-exempt RSS standard(s). Operation is subject to the following two conditions: (1) this device may not cause interference, and (2) this device must accept any interference, including interference that may cause undesired operation of the device.

Operation in the band 5150-5250 MHz is only for indoor use to reduce the potential for harmful interference to co-channel mobile satellite systems.

Le présent appareil est conforme aux CNR d'Industrie Canada applicables aux appareils radio exempts de licence. L'exploitation est autorisée aux deux conditions suivantes : (1) l'appareil ne doit pas produire de brouillage, et (2) l'utilisateur de l'appareil doit accepter tout brouillage radioélectrique subi, même si le brouillage est susceptible d'en compromettre le fonctionnement.

La bande 5 150-5 250 MHz est réservés uniquement pour une utilisation à l'intérieur afin de réduire les risques de brouillage préjudiciable aux systèmes de satellites mobiles utilisant les mêmes canaux.

THERMADOR® Support/Réparation/Servicio técnico

Service

We realize that you have made a considerable investment in your kitchen. We are dedicated to supporting you and your appliance so that you have many years of creative cooking.

Please don't hesitate to contact our STAR® Customer Support Department if you have any questions or in the unlikely event that your THERMADOR® appliance needs service. Our service team is ready to assist you.

Parts & Accessories

Parts, filters, descalers, stainless steel cleaners and more can be purchased in the THERMADOR® eShop or by phone.

USA

Service
800-735-4328
www.thermador.com/support

Parts & Accessories
www.thermador-eshop.com

Canada

Service
800-735-4328
www.thermador.ca

Parts & Accessories
AP Wagner - 800-287-1627
or
Reliable Parts - 800-663-6060

Réparation

Nous comprenons que vous avez fait un investissement important pour votre cuisine. C'est pourquoi nous nous engageons à offrir un service de qualité à vous comme à votre appareil afin de vous garantir des années de créativité dans votre cuisine.

N'hésitez pas à contacter notre département du service à la clientèle STAR^{MD} si vous avez des questions ou dans le cas peu probable que votre appareil THERMADOR^{MD} nécessite une réparation. Notre équipe de réparation est prête à vous aider.

Pièces et accessoires

Plusieurs pièces, filtres, détartrants et nettoyants pour l'acier inoxydable sont offerts dans la boutique électronique eShop de THERMADOR^{MD} ou par téléphone.

États-Uni

Réparation
800-735-4328
www.thermador.com/support

Pièces et accessoires
www.thermador-eshop.com

Canada

Réparation
800-735-4328
www.thermador.ca

Pièces et accessoires
AP Wagner - 800-287-1627
ou
Reliable Parts - 800-663-6060

Servicio técnico

Sabemos que usted ha realizado una inversión considerable en su cocina. Nos dedicamos a brindar asistencia técnica para usted y su electrodoméstico de manera que tenga muchos años de cocina creativa.

No dude en comunicarse con nuestro Departamento de Atención al Cliente de STAR® si tiene alguna pregunta o en el caso poco probable de que su electrodoméstico THERMADOR® necesite servicio técnico. Nuestro equipo de servicio técnico está listo para asistirlo.

Piezas y accesorios

Puede comprar piezas, filtros, productos para eliminar el sarro, limpiadores para acero inoxidable y más artículos en la tienda electrónica de THERMADOR® o por teléfono.

EE. UU.

Servicio técnico
800-735-4328
www.thermador.com/support

Piezas y accesorios
www.thermador-eshop.com

Canada

Servicio técnico
800-735-4328
www.thermador.ca

Piezas y accesorios
AP Wagner - 800-287-1627
o
Reliable Parts - 800-663-6060

9001282908
(9806)



1901 MAIN STREET, SUITE 600 IRVINE, CA 92614 // 1-800-735-4328 // WWW.THERMADOR.COM
© 2018 BSH HOME APPLIANCES CORPORATION
9001282908 en-us, fr-ca 9806