

6-PROGRAM DISHWASHER

Thermador® | *An American Icon*™



6-program stainless steel dishwasher with Masterpiece handle.

Also available with Professional handle, Classic Professional handle or fully integrated.

FEATURES & BENEFITS

An integrated, concealed control panel provides a smooth design.

A high-grade, stainless steel interior offers long-lasting reliability, never rusts and resists nicks and chips.

A suspension motor and dual pump system reduces noise operation to just 46 dBs and the PowerBeam® Operating Indicator shows when the dishwasher is in use.

Our Sens-a-Wash® determines water cleanliness and adjusts the wash cycle accordingly.

HygieneDry® eliminates 99.99% of bacteria (NSF certified).

A PowerBoost® option gets dishes clean in only 60 minutes on any Auto Wash program.

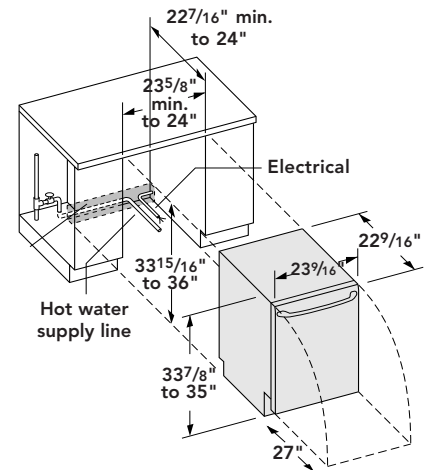
The Rackmatic® feature allows automatic height adjustment without having to remove a rack.

ENERGY STAR® qualified

SKU	DWHD64EM
Stainless Steel with Professional Handle	-
Stainless Steel with Classic Pro Handle	-
Stainless Steel with Masterpiece Handle	■
Fully Integrated	-
Control	Stainless Steel with Push Buttons
Display	LED Countdown
Wash Cycles	6
PowerBoost	■
Time Delay	■
18/10 Stainless Steel Tub	■
Nylon Coated Racks	■
Motor and Pump Protected by Solid Base	■
Ball Bearing Latch	■
PowerBeam	■
Turbidity Sensor	■
Particle Sensor	-
Load Sensing System	-
Speciality Glass Rack Insert	-
Advanced Filtration	3 Stage
Leak Protection w/ Auto Shutoff	■
HygieneDry	■
Hidden Heating Element	■
Decibel Rating	46
Dual Pump System	■
Suspension Motor	■
Insulation	Triple Layer

Dishwasher with Cutout*

Openings for electrical, water and drain lines must be installed in the shaded area. Approx. area size: 3 1/2" from floor, 11 5/16" from back wall, width as shown.



General Information

Model No.	Upper Rack Clearance (in)	Upper Rack Removed Height Clearance (in)	Lower Rack Height Clearance (in)	Power Requirements	Maximum Amp Draw (Amps)	Approximate Shipping Weight (lbs)
DWHD64EM	8-10	22	12-14	120 Volts, 60 Hz, 15 Amps	12	125

Notes: All height, width and depth dimensions are shown in inches. *Please refer to installation instructions prior to making cutout. For complete details see care and use manual. Dishwashers are UL and CUL approved. For immediate critical installation dimensions by fax, use your fax handset and call (775) 833-3600. Use code #8030 for a directory of Thermador products.