



- Panel Ready
- Emerald 24"
- 6 Programs
- DWHD630IPR

#### Performance

- Sens-A-Wash® ensures superior washing and drying guaranteed
- Extra Dry option ensures perfectly dry dishes
- ENERGY STAR® Qualified - uses only 279kWh/Yr
- Extra-Tall-Item™ Sprinkler allows large items (22" high) to be washed
- Hand Wash allows you to delicately wash fine items and wine glasses
- Accommodates 14 plate settings for your dinner parties

#### Innovation

- 18/10 high-grade stainless steel interior offers long-lasting reliability, never rusts and resists nicks and chips
- Indestructible Quality - each unit is individually tested for your safety
- Powerfully Quiet® - 45 dBA for peaceful kitchen experience
- Premium Adjustable Racks and 10 moveable parts

#### Design

- Accepts custom panel with flush installation to match kitchen cabinetry
- Stainless Steel Control Panel
- Blue LED Display
- Blue PowerBeam® operating indicator lets you know when it is running

#### Included accessories

bottle holder plastic, Small upper cutlery rack

#### Optional accessories

#### Alternative colors available

#### Technical Data

##### Product Features

Leak Protection System : Aqua Stop  
 ChildLock : No  
 Water softener : No  
 Upper Rack : 800  
 Adjustable upper rack : Rackmatic  
 Upper rack cup shelf : 3  
 Lower Rack : 800  
 3rd Rack : no  
 Silverware basket : Standard  
 Optional accessories : SGZ1010UC, SGZ1052UC, SGZPC001UC, SMZ5002UC

##### Consumption and connection features

UPC code : 825225801153  
 Panel ready : Yes  
 Silence level (dBA) : 45  
 Watts (W) : 1400  
 Current (A) : 12  
 Volts (V) : 120  
 Frequency (Hz) : 60  
 Energy Consumption (kWh/yr) : 279  
 Energy Star® qualified : Yes  
 NSF certified : Yes  
 Plug type : Fixed connection  
 Length outlet hose (in) : 90 1/2  
 Required cutout size (HxWxD) (in) : 33 7/8 " x 24 " x 24 "  
 Product packaging dimensions (HxWxD) (in) : 35 7/8" x 26 7/8" x 26"  
 Net weight (lbs) : 87  
 Gross weight (lbs) : 96  
 Adjustable feet : Yes  
 Tub material : Stainless steel  
 Tub type : TallTub  
 ADA Compliant : No  
 Number of place settings : 14

Thermador  
 DWHD630IPR  
 Integra dishwasher 6+3 fi

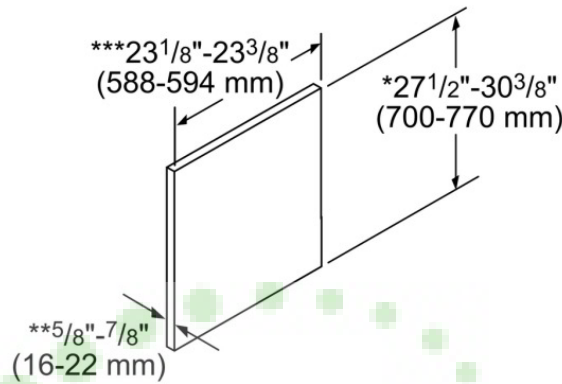
Predecessor:  
 DWHD630GPR

Successor:

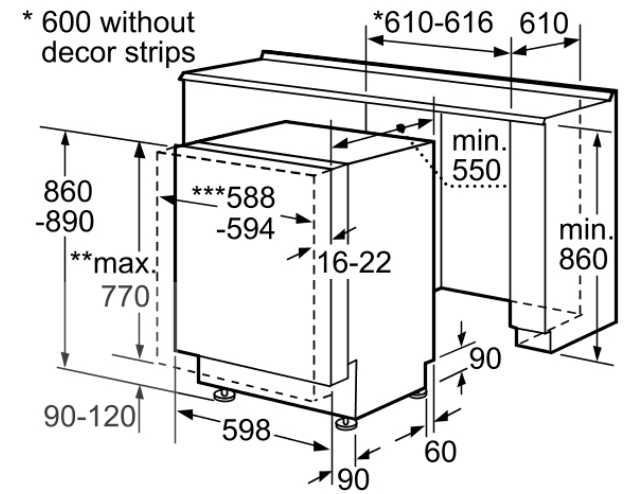
EAN code:  
 825225801153

sales programme:

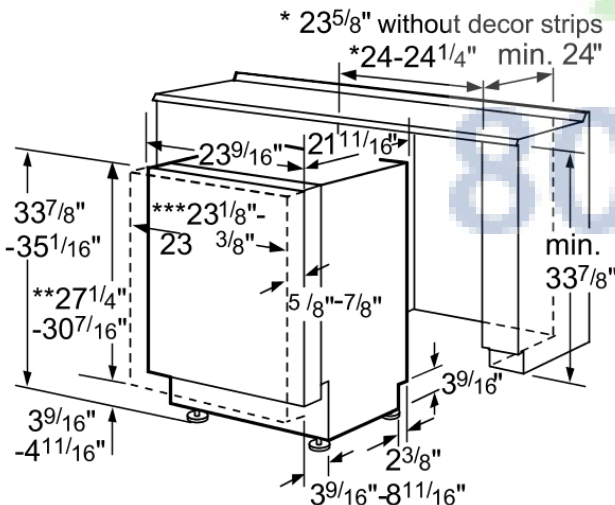
800-570-3355



\*\*\* measured from the bottom edge of the countertop panel  
 \*\* thickness recommended 3/4" (20 mm), panel weight 9-18 lb (4-8 kg)  
 \*\*\* 24" (610 mm) wide panel may be used depending on cabinet design  
 measurements in inches and mm



\* 600 without decor strips  
 \*\* measured from the bottom edge of the countertop panel thickness recommended 20 mm panel weight 9-18 lb  
 \*\*\* 610 wide panel may be used depending on cabinet design  
 measurements in mm



\*\* measured from the bottom edge of the countertop panel thickness recommended 3/4" panel weight 9-18 lb  
 \*\*\* 24" wide panel may be used depending on cabinet design  
 measurements in inches

