

**Danby®** Designer

**OWNER'S MANUAL  
GUIDE DU PROPRIÉTAIRE  
MANUAL DEL USUARIO**

**DWC286BLS**

**CAUTION:**

Read and Follow All Safety Rules and Operating Instructions Before First Use of This Product.

**ATTENTION :**

Avant de faire fonctionner cette machine, lisez et suivez toutes les consignes de sécurité de ce guide en premier lieu.

**ATENCIÓN:**

Lea y Siga Todas las Indicaciones de Seguridad y de Operación Antes de Utilizar Este Producto.



<b>Table of Contents</b> .....	<b>1</b>
<b>Table des matières</b> .....	<b>13</b>
<b>Índice</b> .....	<b>25</b>





**800-570-3355**

# TABLE OF CONTENTS

---

## Important Safety Information

3

Safety Precautions	3
Grounding Instructions	4
Location	4

---

## Operating Instructions

5

Features of Your Wine Cooler	5
The Controls of Your Wine Cooler	6
Setting the Temperature	6
Wine Storage	7
Shelf Instructions	7

---

## Door Reversal

8

---

## Care and Cleaning

9

Helpful Hints	9
How to Clean the Inside	9
How to Clean the Outside	9

---

## Trouble Shooting

10

Before You Call For Service	10
Warranty	11

## WELCOME

Welcome to the Danby family. We're proud of our quality products and we believe in dependable service.

You'll see it in this easy-to-use manual and you'll hear it in the friendly voices of our consumer service department.

Tel: 1-800-26-**Danby**<sup>®</sup>

Best of all, you'll experience these values each time you use your wine cooler. That's important, because your new appliance will be part of your family for a long time.

## Start Here!...Before using your Wine Cooler

Write down the model and serial numbers here. They are on a label located on the back of the wine cooler.

Staple your receipt to the inside back cover of this manual. You will need it to obtain service under warranty.

Model number **DWC286BLS**

Serial number \_\_\_\_\_

Date purchased \_\_\_\_\_

## NEED HELP?

Before you call for service, there are a few things you can do to help us serve you better...

### **Read this manual**

It contains instructions to help you use and maintain your wine cooler properly.

### **If you received a damaged appliance**

Immediately contact the dealer (or builder) that sold you the wine cooler.

### **Save time and money**

Check the Trouble Shooting section before calling. This section helps you solve common problems that may occur.

If you do need service, you can relax knowing help is only a phone call away.

Tel: 1-800-26-**Danby**<sup>®</sup>

# IMPORTANT SAFETY INFORMATION

## READ ALL SAFETY INFORMATION BEFORE USING

### WARNING

#### DANGER, RISK OF CHILD ENTRAPMENT!

An empty refrigerated appliance is a very dangerous attraction to children. Remove either the gasket, latches, lids, lock and/or doors from unused or discarded appliances, or take some other action to guarantee it harmless.

**DON'T WAIT, DO IT NOW!**

#### WARNING!

Improper use of the grounding plug can result in a risk of electrical shock. Consult a qualified electrician or serviceman if the grounding instructions are not completely understood, or if a doubt exists as to whether the appliance is properly grounded.

### SAFETY PRECAUTIONS

- This appliance must be grounded. Connect only to a properly grounded outlet. See "Grounding Instructions" section on page 4.
- Do not operate this appliance if it has a damaged power cord or plug, if it is not working properly, or if the appliance has been damaged or dropped.
- Do not splice the power cord that is equipped with this appliance.
- Keep power cord away from heated surfaces.
- Do not immerse power cord, plug or the appliance itself in water.
- Do not use this product near water—for example, in a wet basement, near a swimming pool or near a sink.
- Do not use corrosive chemicals or vapors in this appliance.
- Use this appliance only for its intended use, as described in this manual.
- Do not store perishable food items such as (but not limited to) meats and dairy products in your wine cooler.
- Store wine in sealed bottles only.
- See door surface cleaning instructions in the Care and Cleaning section(s) of this manual.
- Do not cover or block any openings on the appliance.
- This appliance is intended for household use only. Do not attempt to operate or store this appliance outdoors.
- This appliance should be serviced only by qualified service personnel. Contact the nearest authorized service facility for examination, repair or adjustment.

SAVE THESE INSTRUCTIONS

# IMPORTANT SAFETY INFORMATION

## GROUNDING INSTRUCTIONS

### WARNING!

Improper use of the grounding plug can result in a risk of electrical shock.

This appliance must be grounded. In the event of an electrical short circuit, grounding reduces the risk of electric shock by providing an escape wire for the electric current.

This appliance is equipped with a power cord having a grounding wire with a grounding plug. The plug must be plugged into an outlet that is properly installed and grounded.

Consult a qualified electrician or service technician if the grounding instructions are not completely understood, or if doubt exists as to whether the appliance is properly grounded.

If the outlet is a standard 2-prong wall outlet, it is your personal responsibility and obligation to have it replaced with a properly grounded 3-prong wall outlet.

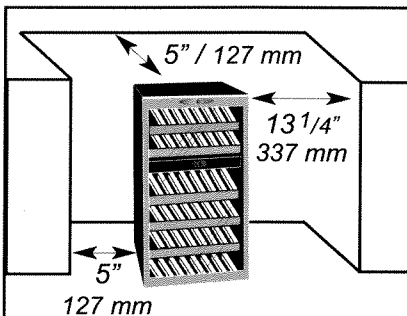
For best operation, plug this appliance into its own electrical outlet to prevent flickering of lights, blowing of fuse or tripping of circuit breaker.

**Do not** under any circumstances cut or remove the third (ground) prong from the power cord.

**Do not** use an adapter plug with this appliance.

**Do not** use an extension cord with this appliance. If the power cord is too short, have a qualified electrician or service technician install an outlet near the appliance.

## Location



**Allow 13 1/4" (33.7 cm) of space** between the (hinge) side of the door and any adjacent wall to accommodate door swing.

### DO...

- Select a location with a strong, level floor.
- Allow 5 inches of space between the back of the appliance and any adjacent wall.
- Avoid direct sunlight and heat. Direct sunlight may affect the acrylic coating, heat sources nearby will cause higher electricity consumption.

### DO NOT...

- **Use this appliance outdoors:** This appliance is intended for *household use only*. Do not attempt to operate or store this appliance outdoors.
- **Build this appliance into an enclosure:** This appliance is designed for a free-standing application only and is not intended to be "built-in".

# Operating Instructions

## Features of Your Wine Cooler



**1. Child Proof Lock with Key**

**2. Magnetic Door Gaskets:** Tight fitting seals retain all the cooling power and humidity levels.

**3. Tempered Glass Door:** Tinted for UV protection while still allowing for easy interior viewing.

**4. Stainless Steel Trim Shelves**

**5. Dual Electronic Controls:** For individually regulating the temperature for both compartments of the wine cooler.

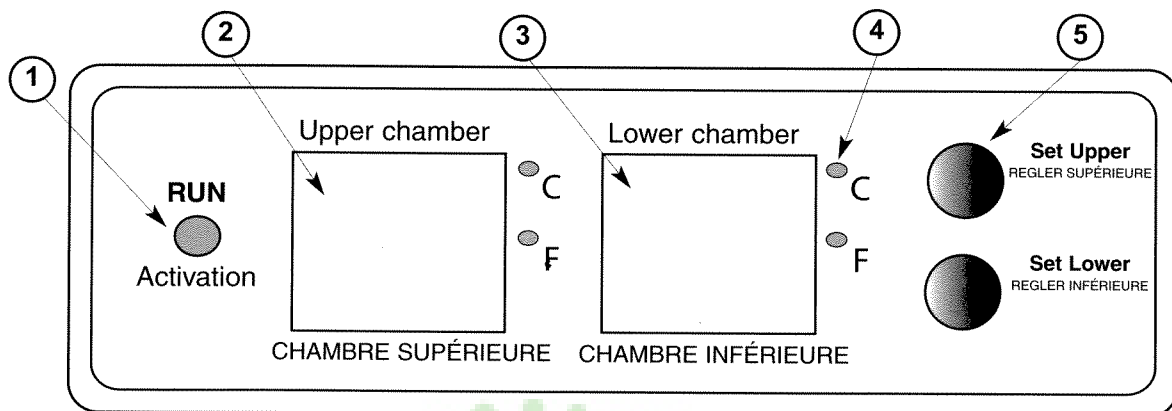
**6. Leveling Legs**

### Specifications

Width	19.4 in. / 493 mm	Temperature Range (Minimum ~Maximum)	39~64°F / 4~18°C
Height	33.2 in. / 843.3 mm	Net Weight	97 lbs / 44 kg
Depth	23.3 in. / 592 mm	Refrigerant	R134a

# Operating Instructions

## The Controls of Your Wine Cooler



- 1. Run :** Indicator light illuminates to signify the cooling mode is currently in operation.
- 2. Upper Chamber Display :** Display screen shows current cabinet temperature and set temperature of the upper zone.
- 3. Lower Chamber Display :** Display screen shows current cabinet temperature and set temperature of the lower zone.
- 4. °C/°F :** Adjacent indicator light denotes which scale of temperature is displayed.
- 5. 'Set Upper' Button :** Used to set the temperature in the upper zone (see 'Setting the Temperature' below).
- 'Set Lower' Button :** Used to set the temperature in the lower zone (see 'Setting the Temperature' below).

## Setting the Temperature

### IMPORTANT!

In the event of a power failure, wait 3 to 5 minutes before restarting.

- To switch the display between the Fahrenheit (°F) and Celsius (°C) scale, depress the 'Set Upper' and 'Set Lower' control buttons simultaneously for approximately five (5) seconds.

- The temperature range can be set as low as 39°F(4°C) or as high as 64°F (18°C) to suit your specific wine storage requirements. Each depression of the 'Set Upper' or 'Set Lower' button will allow you to adjust the temperature in 1° increments within the aforementioned range.

- You may view your 'set' temperature at any time by briefly depressing either the 'Set Upper' or 'Set Lower' button. The set temperature will flash in the display area for 5 seconds before the display resumes showing the *current* cabinet temperature.

# Operating Instructions

## Wine Storage

### IMPORTANT!

Store wine in sealed bottles only.

The maximum\* wine capacity of your wine cooler is 38 (750 ml) bottles.

*\*When stocked as per instructions.*

In order to achieve the maximum capacity of thirty-eight (38) bottles, it will be necessary to position the bottles alternately on the upper four (4) racks, as shown in **Fig. A**. This will allow for the storage of seven (7) 750 ml bottles per rack in each of the top four (4) racks, and five (5) bottles on the bottom two (2) racks (**Fig. B**).

If humidity conditions are low, it will be necessary to use the humidor. Fill the humidor about 3/4 full with fresh water, and place one humidor on the bottom rack of each section. Check the water level occasionally and refill as necessary.

**NOTE:** The use of the humidors will reduce the storage capacity of the racks on which they are placed by one bottle.

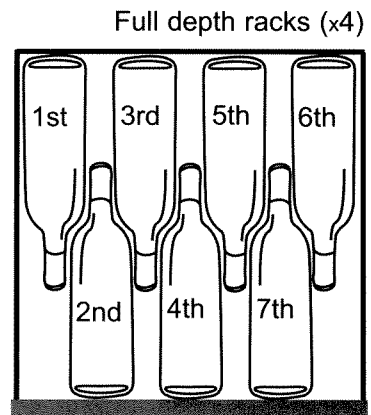


Fig. A

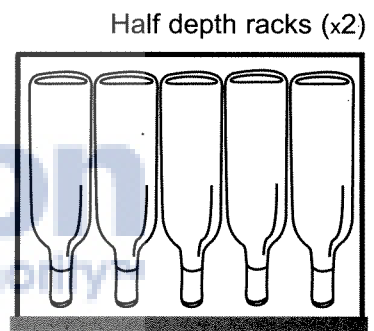


Fig. B

## Shelf Instructions

### IMPORTANT!

**Do not** cover racks with aluminum foil or any other material that will prevent adequate air circulation within the cabinet.

To remove a rack from its locked position, tilt the rack as shown in **Fig. C** and pull outward.

To re-install, ensure the rack is resting securely on the support brackets and push the rack inward until it locks into place.

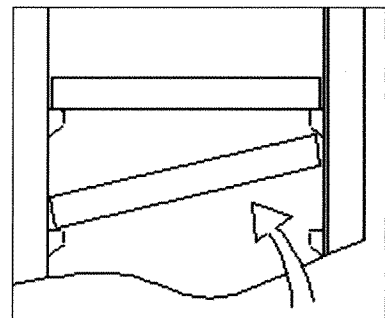


Fig. C

# Door Reversal

## TOOLS REQUIRED

Phillips #2 screwdriver and an adjustable wrench.

### WARNING!

#### Excessive Weight Hazard

Use two or more people when moving the wine cooler.

1. Unplug the wine cooler and lay the unit on its back.
2. Unscrew the two Leveling Legs; one from the bottom hinge on right and one from the left side of the unit (see **Fig. 3** and **Fig. 4** for locations).

3. Remove the bottom hinge by unscrewing its three (3) screws (**Fig. 2**).

**NOTE:** Keep this hinge in a safe place in case you need to return to a right hand door swing.

4. Carefully remove the door and set aside by sliding it downward off of the top hinge pin.
5. Remove the two (2) plastic screw caps located on top of the hinge cover (**Fig. 1**).

6. Remove the top hinge cover by removing its two (2) screws (**Fig. 1**).

7. Remove the top hinge by unscrewing its three (3) screws (**Fig. 1**).

8. Remove the plastic door pin cap from the top left side of the door and transfer it to the right side of the door.

9. Remove the three (3) Plastic Screw Caps from the top left side of the cabinet and transfer them to the top right side of the cabinet (**Fig.6**).

10. Install the top hinge on the left side of the unit and secure with three (3) screws. (**Fig. 1**)

11. Install the hinge cover back on the top hinge and secure with two (2) screws. (**Fig. 1**)

12. Install the two (2) plastic screw caps on the hinge cover. (**Fig. 1**)

13. Carefully install the door on the cabinet (insert upper door into top hinge pin).

14. Using the left-side bottom hinge supplied with your unit (**Fig.5**): insert the hinge pin into the bottom of the door, then align the holes in the hinge with the holes in the cabinet and secure hinge to cabinet with three (3) screws.

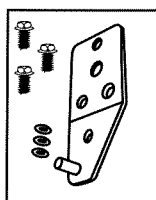
15. Install the Leveling Leg formerly attached to the right bottom hinge (**Fig.4**) onto the new left bottom hinge, and install the Leveling Leg from the former left side position into the right side position (**Fig.3**).

16. Check door alignment, door seal and ensure the door lock slides comfortably into the lock chamber. Tighten all hinge screws.

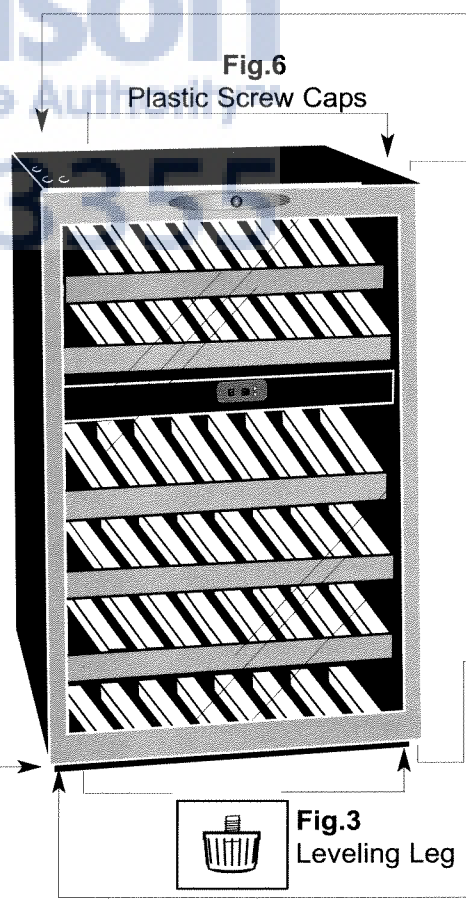
### IMPORTANT!

Allow the unit to stand upright for at-least 1 hour before putting the unit into operation.

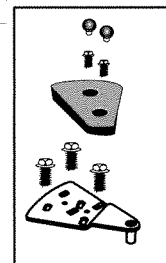
**Fig.5**  
Left Bottom  
Hinge Assembly



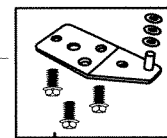
**Fig.6**  
Plastic Screw Caps



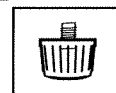
**Fig.1**  
Top Hinge  
Assembly



**Fig. 2**  
Right Bottom  
Hinge Assembly



**Fig.3**  
Leveling Leg



**Fig. 4**  
Leveling Leg for Bottom Hinge



# Care and Cleaning

## WARNING!

Be certain the power is off before cleaning any part of this appliance.

## Helpful Hints

Allow the wine cooler door to remain open for a few minutes after manual cleaning to air out and dry the inside of the wine cooler cabinet.

## How to Clean the Inside

Walls, Floor, Inside Window, and Shelves

Humidors

Water deposits and dust can be removed with a damp cloth.

Wash carefully in warm, sudsy water. The humidor can be broken if dropped.

### IMPORTANT!

Never use any commercial or abrasive cleaners or sharp objects on any part of the wine cooler.

### IMPORTANT:

To avoid breakage, do not place Humidor into hot water immediately upon removing from a chilled wine cooler cabinet.

## How to Clean the Outside

Outer Case

Control Panel and Door

It's important to keep the area clean where the door seals against the cabinet. Clean this area with a sudsy cloth. Rinse and then dry.

Wipe with a damp cloth and dry thoroughly. Do not use cleaning sprays, large amounts of soap and water, abrasive or sharp objects on the panel, they can damage it. Some paper towels may also scratch the control panel and door glass.

### IMPORTANT!

Do not use cleaners containing ammonia or alcohol on the wine cooler. *Ammonia or alcohol can damage the appearance of the appliance.*

Door surface

Use only mild, non-abrasive detergents applied with a clean sponge or soft cloth. Rinse well.

# Trouble Shooting

## Before You Call For Service

Problem	Possible Cause	What to do
<b>No Power.</b>	A fuse in your home may be blown or the circuit breaker tripped.	Replace fuse or reset circuit breaker.
	Power surge.	Unplug the wine cooler, wait a few seconds and then plug it back in.
	Plug not fully inserted into wall outlet	Make sure the 3-prong plug on the wine cooler is fully inserted into outlet.
<b>Cabinet Temperature too High</b>	Temperature setting	Verify the temperature control setting. Adjust if necessary.
	Door(s) not shut properly or opened excessively	Ensure that the doors are fully closed and that the gaskets are sealing against the cabinets. Open the doors only as needed and for short periods of time.
	Recently added a large quantity of warm bottles to the cabinet	Limit the quantity of warm bottles being introduced to the cabinet at the same time. Attempt to phase in the load introduction if possible. (i.e. load no more than 6 warm bottles at once- 3 per compartment)
<b>"Clicking" Noise</b>	Normal sound	No user intervention is required as this sound is normal during the operation of the appliance. This audible 'clicking' noise may be heard as the wine cooler ends or begins a cooling cycle.
<b>Condensation on the cabinet and/or doors</b>	High humidity conditions in the home.	The condensation will subside once humidity conditions return to normal.
	Door(s) not shut properly or opened excessively	Ensure that the doors are fully closed and that the gaskets are sealing against the cabinets. Open the doors only as needed and for short periods of time.

If none of the above rectify the situation please contact our customer care department at 1-800-26- **Danby**® (1-800-263-2629)



# LIMITED PRODUCT WARRANTY

This quality product is warranted to be free from manufacturer's defects in material and workmanship, provided that the unit is used under the normal operating conditions intended by the manufacturer.

This warranty is available only to the person to whom the unit was originally sold by Danby or by an authorized distributor of Danby, and is non-transferable.

## TERMS OF WARRANTY

Plastic parts (ie. evaporator door, door rails, covers and trays are warranted for thirty (30) days only from purchase date, with no extensions provided.

*First Two Years* During the first two years (2), any electrical parts of this product found to be defective, including any sealed system units, will be repaired or replaced, at warrantor's option, at no charge to the ORIGINAL purchaser. Consumable parts (ie. light bulbs) are not warranted or guaranteed for any length of time.

*To obtain Service* Contact your dealer from whom your unit was purchased, or contact your nearest authorized Danby service depot, where service must be performed by a qualified service technician. If service is performed on the units by anyone other than an authorized service depot, or the unit is used for commercial application, all obligations of Danby under this warranty shall be at an end.

Nothing within this warranty shall imply that Danby will be responsible or liable for any spoilage or damage to food or other contents of this appliance, whether due to any defect of the appliance, or its use, whether proper or improper.

## EXCLUSIONS

Save as herein provided, Danby Products Limited (Canada) or Danby Products Inc. (U.S.A.), there are no other warranties, conditions, representations or guarantees, express or implied, made or intended by Danby Products Limited or its authorized distributors and all other warranties, conditions, representations or guarantees, including any warranties, conditions, representations or guarantees under any Sale of Goods Act or like legislation or statute is hereby expressly excluded. Save as herein provided, Danby Products Limited (Canada) or Danby Products Inc. (U.S.A), shall not be responsible for any damages to persons or property, including the unit itself, howsoever caused or any consequential damages arising from the malfunction of the unit and by the purchase of the unit, the purchaser does hereby agree to indemnify and save harmless Danby Products Limited from any claim for damages to persons or property caused by the unit.

## GENERAL PROVISIONS

No warranty or insurance herein contained or set out shall apply when damage or repair is caused by any of the following:

- 1) Power Failure.
- 2) Damage in transit or when moving the appliance.
- 3) Improper power supply such as low voltage, defective house wiring or inadequate fuses.
- 4) Accident, alteration, abuse or misuse of the appliance such as inadequate air circulation in the room or abnormal operating conditions, (extremely high or low room temperature).
- 5) Use for commercial or industrial purposes.
- 6) Fire, water damage, theft, war, riot, hostility, acts of God such as hurricanes, floods etc.
- 7) Service calls resulting in customer education.

Proof of purchase date will be required for warranty claims; so, please retain bills of sale. In the event warranty service is required, present this document to our AUTHORIZED SERVICE DEPOT.

### Warranty Service

**In Home**

Danby Products Limited  
P.O. Box 1778, Guelph, Ontario, Canada N1H 6Z9  
Telephone: (519) 837-0920 FAX: (519) 837-0449

Danby Products Inc.  
P.O. Box 669, Findlay, Ohio, U.S.A. 45839-0669  
Telephone: (419) 425-8627 FAX: (419) 425-8629



# TABLE DES MATIÈRES

---

## Informations de sécurité importantes

15

Précautions	15
Instructions de mise à la terre	16
Emplacement	16

---

## Instructions de fonctionnement

17

Caractéristiques de votre refroidisseur de vin	17
Commandes de votre refroidisseur de vin	18
Réglage de la température	18
Entreposage des Vins	19
Instruction pour tablette	19

---

## Inversion du sens d'ouverture de la porte

20

---

## Soin et nettoyage

21

Conseils utiles	21
Comment nettoyer l'intérieur	21
Comment nettoyer l'extérieur	21

---

## En cas de panne

22

Avant de placer un appel de service	22
Garantie	23

## BIENVENUE

Bienvenue dans la famille Danby. Nous sommes fiers de nos produits de qualité et croyons au bien fondé de fournir une assistance fiable à nos clients.

Vous le découvrirez par ce guide facile d'utilisation et vous pourrez l'entendre en provenance des voix amicales de notre service d'assistance à la clientèle. Tél.: 1-800-26-**Danby**

Mais, ce qui est encore mieux, vous pourrez bénéficier de ces valeurs à chaque utilisation de votre refroidisseur de vin. Ceci est important parce que votre nouvelle appareil fera partie de votre famille pour longtemps.

## Point de départ...AVANT d'utiliser votre Cabinet à Vin

Enregistrez ici les numéros de modèle et de série. Ces numéros se trouvent sur l'étiquette au dos de l'appareil.

Agrafez votre reçu d'achat à l'intérieur de la couverture arrière de de guide. Il sera requis pour faire une réclamation de la garantie.

Numéro de modèle **DWC286BLS**

Numéro de série \_\_\_\_\_

Date d'achat \_\_\_\_\_

## EN CAS DE BESOIN D'ASSISTANCE

Voici quelques contributions que vous pouvez effectuer avant de faire un appel de service, pour nous aider à mieux vous servir :

### Lisez ce guide

Il comprend des instructions pour vous assister à l'utilisation et l'entretien adéquats de votre refroidisseur de vin.

### Si votre appareil neuf est avarié

Communiquez immédiatement avec le revendeur (ou le manufacturier).

### Épargnez temps et argents

Avant de faire un appel de service, révisez le chapitre intitulé "Dépannage". Ce chapitre vous aidera à solutionner des problèmes communs qui pourraient survenir. Si une réparation est requise, vous pouvez avoir l'esprit tranquille parce que de l'aide ne sera l'affaire que d'un appel téléphonique.

Tél.: 1-800-26-**Danby**

# INFORMATIONS DE SÉCURITÉ IMPORTANTES

## LISEZ TOUTES LES INFORMATIONS DE SÉCURITÉ AVANT DE FAIRE FONCTIONNER L'APPAREIL

### AVERTISSEMENT

#### DANGER, RISQUE DES ENFANTS DEVIENNENT COINCER DANS L'APPAREIL

Un appareil réfrigéré vide est une attraction dangereuse aux enfants. Enlever les joints étanches, les loquets, les couvercles ou les porte des appareils qui ne sont pas utiliser, ou faites de soit que l'appareil ne présente aucun danger.

**N'ATTENDEZ PAS! FAITES-LE IMMEDIATEMEN!**

### AVERTISSEMENT!

Une utilisation fautive de la fiche mise à la terre peut constituer un danger d'électrocution. Si vous ne comprenez pas complètement les instructions de mise à la terre, ou si vous avez des doutes sur la sécurité du câblage de mise à la terre, contactez un électricien licencié ou un technicien de service.

### PRÉCAUTIONS

- Cet appareil doit être mis à lat-terre. Branchez le seulement dans une prise correctement mise à la terre. Référez-vous au chapitre intitulé "Instructions de mise à la terre" à la page 4.
- Ne faites pas fonctionner cet appareil s'il a un cordon ou fiche électrique endommagé, s'il ne fonctionne pas correctement, ou si l'appareil a été endommagé ou échappé.
- N'épissez pas le cordon électrique
- Gardez le cordon électrique éloigné des sources de chaleur.
- N'immersez pas le cordon ou sa fiche dans aucun liquide.
- N'utilisez pas cet appareil près de bassins d'eau, par exemple dans un sous-sol détrempe, près d'une piscine ou d'un évier.
- N'utilisez pas de produits chimiques ou vapeurs corrosives dans/près de cet appareil.
- N'utilisez cet appareil que pour les fins auxquelles il est conçu comme indiqué dans ce guide.
- Ne placez pas les articles périssables de nourriture dans votre refroidisseur de vine. (Pour exam-plem, les viandes et les produits laitiers)
- Entreposez le vin dans des bouteilles scellées seulement.
- Référez-vous aux instructions de nettoyage du fini de la porte se trouvant au(x) chapitre(s) de Soins et nettoyage de ce guide.
- Ne recouvrez pas ou n'obstruez aucune ouverture de l'appareil.
- Cet appareil est conçu pour un usage domestique à l'intérieur seulement. N'entrezposez ni n'utilisez pas cet appareil à l'extérieur.
- Cet appareil ne devrait être réparé que par du personnel qualifié. Pour tout examen, réparation ou réglage, contactez votre centre de service le plus rapproché.

**SAUVEGARDEZ CES INSTRUCTIONS**

# INFORMATIONS DE SÉCURITÉ IMPORTANTES

## INSTRUCTIONS DE MISE À LA TERRE

### AVERTISSEMENT!

Une utilisation fautive de la fiche mise à la terre peut constituer un danger d'électrocution.

Cet appareil doit être mis à la terre. Dans l'éventualité d'un court-circuit, la mise à la terre procure un chemin direct de contournement du courant pour prévenir l'électrocution des manipulateurs de l'appareil.

Cet appareil est muni d'un cordon comprenant une fiche et fil de mise à la terre.

La fiche doit être branchée dans une prise correctement installée et mise à la terre.

Si les directives de mise à la terre ne sont pas tout à fait comprises ou en cas de tout doute relatif à la mise à la terre appropriée de l'appareil, faites appel à un électricien ou à un technicien qualifié.

Si la prise murale est une prise à 2 branches, c'est votre obligation, et la responsabilité vous en incombe, de la faire remplacer par une prise à trois branches adéquatement mise à la terre.

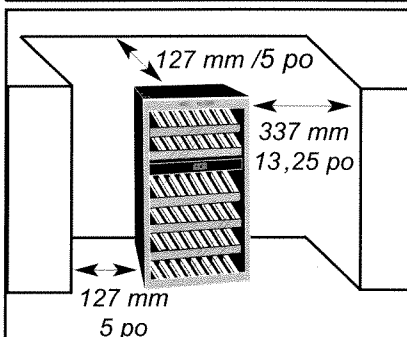
Pour un meilleur rendement et pour éviter que les ampoules d'éclairage de la résidence soient affectées d'un affaissement de tension, ou que le fusible ou disjoncteur du circuit ne grille ou ne se déclenche, dédiez un circuit individuel d'alimentation à la machine à glaçons (prise (double) unique sur le circuit).

**Sous aucun** prétexte il est permis de couper ou d'enlever la troisième branche (mise à la terre) de la fiche du cordon électrique.

**N'utilisez pas** d'adaptateur de fiche avec cet appareil.

**N'utilisez pas** de cordon de rallonge avec cet appareil. Si le cordon électrique de l'appareil ne rejoint pas la prise murale, faites installer une prise plus rapprochée par un électricien ou un technicien qualifié.

## EMPLACEMENT



Laissez 13¼" (33,7cm) d'espace entre le côté de la porte (charnière) et tout mur adjacent pour permettre l'ouverture de la porte.

### À FAIRE :

- Choisir un endroit avec un plancher solide et au niveau.
- Laisser un espace de 13 cm (5 po) entre l'arrière de l'appareil et tout mur adjacent.
- Éviter l'exposition au soleil direct et à la chaleur. Le soleil direct peut affecter la couche d'acrylique. Les sources de chaleur à proximité peuvent causer une plus grande consommation d'électricité.

### À NE PAS FAIRE :

- **Utiliser cet appareil à l'extérieur:** Cet appareil a été conçu pour usage domestique seulement. Ne pas faire fonctionner ou entreposer cet appareil à l'extérieur.
- **Incorporer cet appareil dans une armoire:** Cet appareil est conçu pour une utilisation autonome seulement et n'est pas prévu pour être encastré.

# Instructions de fonctionnement

## Caractéristiques de votre refroidisseur de vin



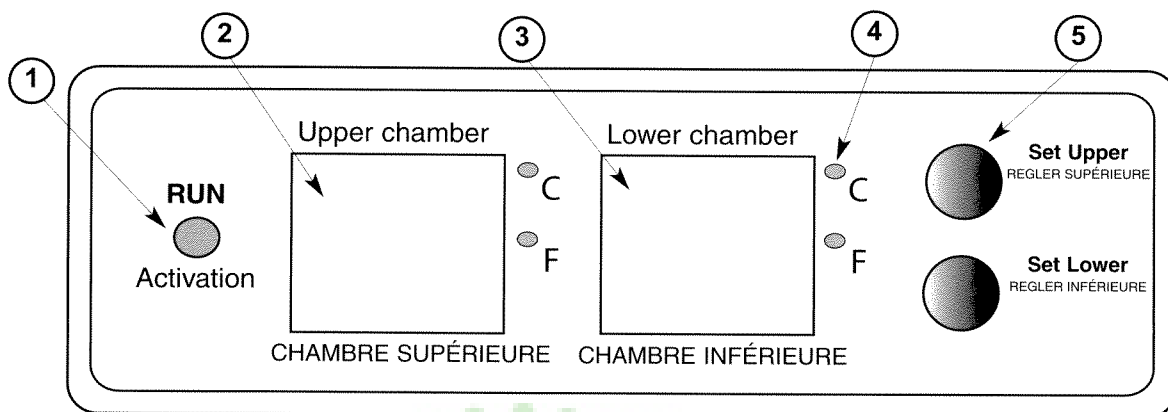
- 1. Verrou à l'épreuve des enfants**
- 2. Joint Étanche Magnétique:** Le joint étanche permet de conserver le niveau de température et d'humidité à l'intérieur du cabinet.
- 3. Portes en Verre Trempé:** Teinté pour protéger contre les rayons UV tout en permettant de voir facilement le contenu du cabinet
- 4. Tablette avec garniture en acier inoxydable**
- 5. Double commande électronique :** Pour ajuster la température des deux compartiments du refroidisseur de vin individuellement.
- 6. Pieds Adjustables**

### Spécifications

Largeur	493 mm (19,4 po)	Écart de température (minimum ~ maximum)	39~64°F / 4~18°C
Hauteur	843,3 mm (33,2 po)	Poids net	44 kg (97 lb)
Profondeur	592 mm (23,3 po)	Réfrigérant	R134a

# Instructions de fonctionnement

## Commandes de votre refroidisseur de vin



- 1. Activation :** Le voyant s'allume pour indiquer que le cycle de refroidissement est présentement en marche.
- 2. Affichage du Chambre Supérieure :** L'écran affiche la température courante du chambre supérieure et la température demandée par réglage.
- 3. Affichage du Chambre Inférieure :** L'écran affiche la température courante du chambre inférieure et la température demandée par réglage.
- 4. C°/F° :** Le voyant situés à côté, dénote quelle balance de la température est montrée.
- 5. 'Réglage Supérieure' :** Réglez la température du chambre supérieure par intervalle de un degré (référez-vous au "Réglage du température" ci-dessous).  
**'Réglage Inférieure' :** Réglez la température du chambre inférieure par intervalle de un degré (référez-vous au "Réglage du température" ci-dessous).

## Réglage du température

### IMPORTANT !

En cas de panne de courant, attendez de 3 à 5 minutes avant de redémarrer.

- Pour changer l'affichage entre la température en Celsius (°C) et la température en Fahrenheit (°F) appuyez sur les bouton de control 'Réglage Supérieure' et 'Réglage Inférieure' en même temps pour environ 5 secondes.

- La température pour le compartiment peut être ajustée aussi basse que 39°F (4°C) ou aussi haut que 64°F (18°C) pour satisfaire à vos besoin spécifiques pour votre entreposage de vin. Chaque pression du bouton commande 'Réglage Supérieure' ou 'Réglage Inférieure' vous

permettra d'ajuster la température par intervalle de un degré (1°) dans la marge mentionnée ci-dessus.

- Pour voir le réglage de la température (peu importe le moment), appuyez sur le bouton de control 'Réglage Supérieure' ou 'Réglage Inférieure'. La température réglée clignotera dans la fenêtre d'affichage pendant environ 5 secondes et reviendra alors automatiquement à l'affichage de la température ambiante de la pièce.

# Instructions de fonctionnement

## Entreposage des vins

### IMPORTANT !

Entreposez le vin dans des bouteilles scellées seulement.

Le cabinet à vin peut accepter un maximum\* de trente-huit (38) bouteilles de vin de 750 ml.

*\*Lorsque chargées selon les instructions*

Pour atteindre la capacité maximum de trente huit (38) bouteilles, vous devrez placer les bouteilles de façon alternative sur les quatre (4) tablettes du haut, tel qu'illustré dans **Fig. A**. Ceci permettra le stockage de sept (7) bouteilles de 750 ml par tablette sur chacune des quatre (4) tablettes du haut, et cinq (5) bouteilles sur les deux (2) tablettes du bas (**Fig.B**).

Si le taux d'humidité est bas, il sera nécessaire d'utiliser l'humidificateur. L'humidificateur doit être rempli d'eau fraîche aux trois quarts ( $\frac{3}{4}$ ), puis placé sur chaque section de la tablette du bas. Il faut vérifier le niveau d'eau à l'occasion et remplir de nouveau si nécessaire.

**REMARQUE :** L'utilisation d'humidificateurs réduira la capacité de stockage d'une bouteille sur les tablettes sur lesquelles ils sont placés.

### Tablettes de pleine profondeur (x4)

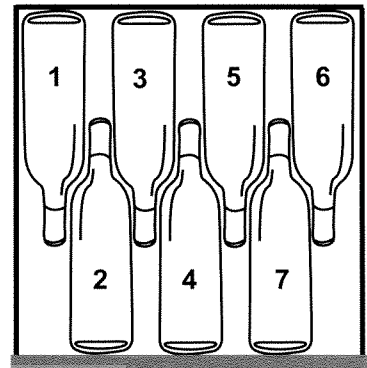


Fig. A

### Tablettes de demi profondeur (x2)

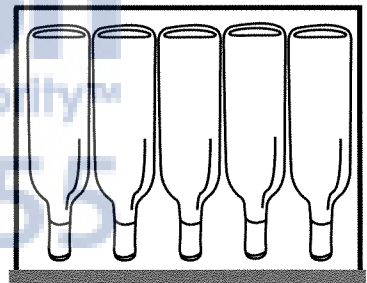


Fig. B

## Instructions des tablette

### IMPORTANT !

**Ne recouvrez PAS** les étagères de feuilles d'aluminium ou de tout autre membrane qui préviendrait la circulation de l'air à l'intérieur du cabinet.

Pour enlever une tablette de la position verrouillée, incline l'étagère comme montré dans la **figure C** et tire à l'extérieur.

Pour réinstaller, assurez l'étagère se repose sur les supports et poussée la tablette vers l'intérieur jusqu'à ce qu'elle soit verrouillée en place.

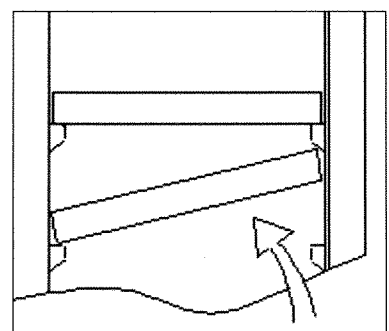


Fig. C

# Inversion de porte

## Outils requis

Tournevis Phillips #2 et une clé ajustable

### AVERTISSEMENT! :

**Danger de poids excessif  
Il faut deux personnes ou plus pour déplacer le  
rafraîchisseur à vin**

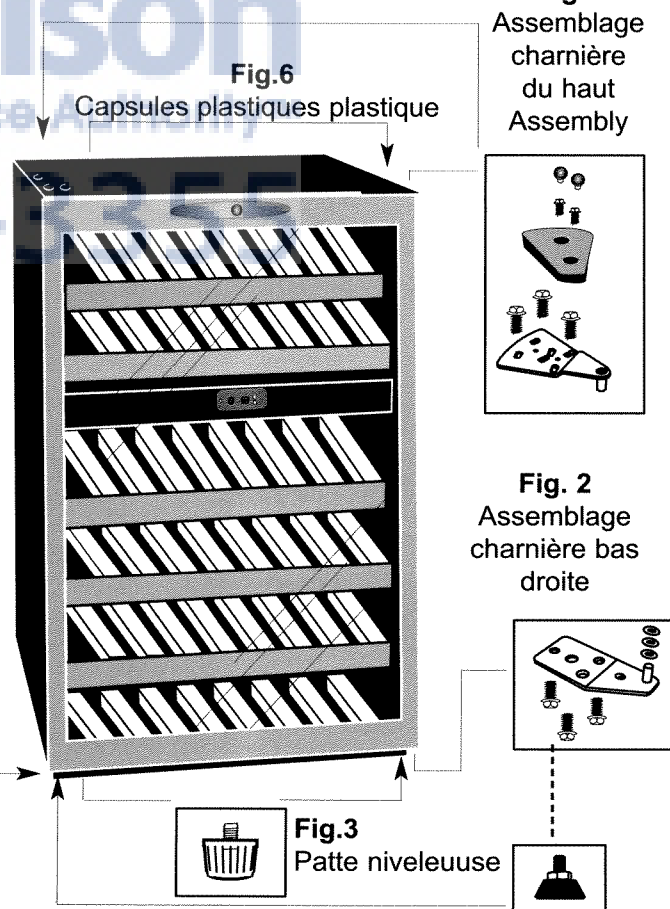
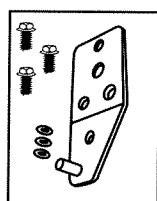
1. Débranchez le refroidisseur de vin et déposez-le sur le dos.
2. Dévissez les deux pattes niveleuses; une de la charnière du bas à droite et une du côté gauche de l'unité, voir **Fig. 3** et **Fig. 4** pour les emplacements.
3. Enlever la charnière du bas en dévissant ses trois (3) vis (**Fig. 2**).  
**REMARQUE** : Gardez cette charnière dans un endroit sécuritaire au cas où voudriez revenir à une porte avec ouverture main droite.
4. Enlevez soigneusement la porte et mettez de côté en la glissant vers le bas hors de la broche de charnière du haut.
5. Enlevez les deux (2) capsules de vis en plastique sur le dessus du couvercle de charnière (**Fig. 1**).
6. Enlever le couvercle de la charnière du haut en dévissant ses deux (2) vis (**Fig. 1**).
7. Enlever la charnière du haut en dévissant ses trois (3) vis (**Fig. 1**).
8. Enlevez la capsule en plastique de l'axe de porte du côté gauche en haut et transférez-la du côté droit de la porte.
9. Enlevez les trois (3) capsules de vis en plastique du côté gauche en haut du cabinet et transférez-les du côté droit en haut de la porte (**Fig. 6**).
10. Installez la charnière du haut sur le côté gauche de l'unité et fixez solidement avec les trois (3) vis. (**Fig. 1**).
11. Installez le couvercle de charnière sur la charnière du haut et fixez solidement avec les deux (2) vis. (**Fig. 1**).
12. Installez les deux (2) capsules à vis en plastique sur le couvercle de charnière. (**Fig. 1**).
13. Installez soigneusement la porte sur le cabinet (insérez le haut de la porte dans la broche de charnière du haut).
14. En vous servant de la charnière de gauche en bas fournie avec votre unité (**Fig. 5**) : insérez la broche de charnière dans le bas de la porte, puis alignez les trous dans la charnière avec les trous dans le cabinet et fixez solidement la charnière au cabinet avec trois (3) vis.

15. Installez la patte niveleuse qui était auparavant attachée à la charnière de droite en bas (**Fig. 4**) sur la nouvelle charnière à gauche en bas, et installez la patte niveleuse de son ancienne position du côté gauche à la position du côté droit (**Fig. 3**).
16. Vérifiez l'alignement de la porte, le joint d'étanchéité de la porte et assurez-vous que la serrure de porte glisse facilement dans la cavité de la serrure. Resserrer toutes les vis de charnières.

### IMPORTANT!

Laissez l'unité dans la position debout pour au moins 1 heure avant de la faire fonctionner.

**Fig. 5**  
Assemblage de la charnière de gauche en bas



**Fig. 4**  
Patte niveleuse de la charnière du bas

## Soins et nettoyage

### MISE EN GARDE!

Assurez vous que l'alimentation est coupée avant de nettoyer n'importe quelle partie de cet appareil.

### Conseils utiles

Après avoir fait de la glace, effectué un autonettoyage ou un nettoyage manuel, laissez la porte de la machine ouverte durant quelques minutes pour aérer et assécher l'intérieur de l'armoire.

### Comment nettoyer l'intérieur

#### Murs, plancher, vitre intérieure, et tablettes

Les dépôts d'eau et la poussière peuvent être enlevés avec un linge humide.

#### Réservoirs D'Humidité

Lavez le délicatement à l'eau tiède et savonneuse.

#### IMPORTANT

**Ne jamais utiliser** de nettoyeurs industriels ou abrasifs ou des objets acérés sur n'importe quelle partie de votre cabinet à vin

#### IMPORTANT:

Pour ne pas qu'il brise, ne placez pas le reservoir dans l'eau chade immédiatement après l'avoir enlevée du refroidisseur de vin.

### Comment nettoyer l'extérieur

#### Extérieur de l'armoire

Il est important de garder la région de scellement de la porte sur l'armoire propre. Nettoyez avec un tissu savonneux, rincez le région et puis séchez

#### Panneau de commande et Porte

Essuyez avec un chiffon humide. Asséchez bien avec un chiffon sec. N'utilisez pas de nettoyeurs en aérosol, de grandes quantités d'eau et de savon, d'abrasifs ou d'objets acérés sur le panneau, ceci pourrait l'endommager. Certains essuie-tout peuvent aussi égratigner le panneau de commande et verre de la porte.

#### IMPORTANT

**Ne pas utiliser** de nettoyeurs contenant de l'ammoniaque ou de l'alcool sur le cabinet à vin.

*L'ammoniaque ou l'alcool peut altérer la fini du cabinet.*

#### Surface du Porte

N'utilisez que des détergents doux, non abrasifs, appliqués avec une éponge propre ou un chiffon doux. Rincez abondamment.

## En cas de panne

### Avant de placer un appel de service

Problème	Cause possible	Ce qu'il faut faire
<b>L'appareil n'est pas alimenté</b>	Un fusible de votre panneau de distribution peut être grillé ou le disjoncteur déclenché.	Remplacez le fusible ou réarmez le disjoncteur.
	Surtension.	Débranchez la refroidisseur de vin et attendez quelques secondes, et puis rebranchez la.
	La fiche n'est pas complètement insérée dans la prise murale.	Assurez-vous que la fiche à 3 branches de la refroidisseur de vin est complètement insérée dans la prise.
<b>La température dans le cabinet est trop haute</b>	Réglage du température	Vérifiez que la commande est réglée à la bonne arrangement.
	Les portes ne sont pas fermées correctement ou son ouverte trop souvent	Assurez-vous que les portes sont fermées et que les joint étanches sont contre le coffret. Ouvrez les portes seulement quand nécessaire.
	Stocké une grande quantité de bouteilles chaudes dans le cabinet	Limitez la quantité de bouteilles chaudes qui sont stockées dans le cabinet en même temps.. Essayez d'introduire progressivement des charge chaudes si possible (ex. ne chargez pas plus de 6 bouteilles chaudes à la fois- trois par cabinet)
<b>L'eau de condensation sur le coffret et/ou les portes</b>	Niveau de humidité élevé dans la maison..	La formation de l'eau de condensation s'arrêtera quand le niveau.d'humidité retours à normale
	Les portes ne sont pas fermées correctement ou son ouverte trop souvent	Assurez-vous que les portes sont fermées et que les joint étanches sont contre le coffret. Ouvrez les portes seulement quand nécessaire.
<b>Son de "cliquetis"</b>	Son normal	Aucune intervention nécessaire de la part de l'utilisateur puisque ce son est normal durant le fonctionnement de l'appareil. Ce son de "cliquetis" audible peut être entendu lorsque l'appareil finit ou débute un cycle de refroidissement.

Si aucune des suggestions ci-dessus ne corrigent le problème, communiquez avec notre service d'assistance au **1-800-26 Danby® (1-800-263-2629)**

**Danby**<sup>®</sup> *Designer*

## GARANTIE LIMITÉE

Cet appareil de qualité est garanti exempt de tout vice de matière première et de fabrication, s'il est utilisé dans les conditions normales recommandées par le fabricant.

Cette garantie n'est offerte qu'à l'acheteur initial de l'appareil vendu par Danby ou par l'un des ses distributeurs agréés et elle ne peut être transférée.

### CONDITIONS

Pièces en plastique (la porte de l'évaporateur, gardes de porte, couvercle et bacs sont couverts par une garantie sans extension de 30 jours de la date d'achat.

*Première deux année* Pendant les première deux (2) année, toutes pièces électriques de ce produit s'avèrent défectueuses, y compris les unités ayant des systèmes obturés, seront réparées ou remplacées, selon le choix du garant, sans frais à l'acheteur INITIAL. Les autres pièces courantes (par ex., les ampoules) ne sont couvertes par aucune garantie.

*Pour bénéficier du service sous garantie* Danby réserve le droit de limiter le rayon du "service au domicile" selon la proximité d'un dépôt de service autorisé. Le client sera responsable pour le transport et tous les frais d'expédition de tout appareil exigeant le service en dehors des limites du "service au domicile" au dépôt de service autorisé le plus proche. S'adresser au détaillant qui a vendu l'appareil, ou à la station technique agréée de service la plus proche, où les réparations doivent être effectuées par un technicien qualifié. Si les réparations sont effectuées par quiconque autre que la station de service agréée ou à des fins commerciales, toutes les obligations de Danby en vertu de cette garantie seront nulles et non avenues.

Cette garantie indique en aucun temps la responsabilité de Danby de l'avarie ou dommage de la nourriture ou autre contenu, soit par les vices de l'appareil, ou soit par l'utilisation convenable ou inexacte.

### EXCLUSIONS

En vertu de la présente, il n'existe aucune autre garantie, condition ou représentation, qu'elle soit exprimée ou tacite, de façon manifeste ou intentionnelle, par Danby Products Limitée (Canada) ou Danby Products Inc. (E.- U. d'A.) ou ses distributeurs agréés. De même, sont exclues toutes les autres garanties, conditions ou représentations, y compris les garanties, conditions ou représentations en vertu de toute loi régissant la vente de produits ou de toute autre législation ou règlement semblables.

En vertu de la présente, Danby Products Limitée (Canada) ou Danby Products Inc. (E.- U. d'A.) ne peut être tenue responsable en cas de blessures corporelles ou des dégâts matériels, y compris à l'appareil, quelle qu'en soit les causes. Danby ne peut pas être tenue responsable des dommages indirects dus au fonctionnement défectueux de l'appareil. En achetant l'appareil, l'acheteur accepte de mettre à couvert et de dégager Danby Products Limitée de toute responsabilité en cas de réclamation pour toute blessure corporelle ou tout dégât matériel causé par cet appareil.

### CONDITIONS GÉNÉRALES

La garantie ou assurance ci-dessus ne s'applique pas si les dégâts ou réparations sont dus aux cas suivants:

- 1) Panne de courant;
- 2) Dommage subis pendant le transport ou le déplacement de l'appareil;
- 3) Alimentation électrique incorrecte (tension faible, câblage défectueux, fusibles incorrects);
- 4) Accident, modification, emploi abusif ou incorrect de l'appareil;
- 5) Utilisation dans un but commercial ou industriel;
- 6) Incendie, dommage causés par l'eau, vol, guerre, émeute, hostilités, cas de force majeure (ouragan, inondation, etc.);
- 7) Visites d'un technicien pour expliquer le fonctionnement de l'appareil au propriétaire.

Une preuve d'achat doit être présentée pour toute demande de réparation sous garantie. Prière de garder le reçu. Pour faire honorer la garantie, présenter ce document à la station technique agréée ou s'adresser à:

Service sous-garantie

Service à domicile

Danby Products Limitée  
PO Box 1778, 5070 Whitelaw Road,  
Guelph, Ontario, Canada N1H 6Z9  
Téléphone: (519) 837-0920 Télécopieur: (519) 837-0449

05/07

Danby Products Inc.  
PO Box 669, 101 Bentley Court,  
Findlay, Ohio, U.S.A. 45839-0669  
Telephone: (419) 425-8627 FAX: (419) 425-8629



# ÍNDICE

## Información Importante de Seguridad

27

Precauciones de Seguridad	27
Instrucciones de Conexión a Tierra	28
Ubicación	28

## Instrucciones de Operación

29

Características de su Heladera para Vinos	29
Controles de su Heladera para Vinos	30
Ajuste de Temperatura	30
Almacenamiento de Vinos	31
Instrucciones de los Estantes	31

## Inversion de Apertura de Porte

32

## Cuidado y Limpieza

33

Consejos Útiles	33
Cómo limpiar el Interior	33
Cómo limpiar el Exterior	33

## Diagnóstico de Problemas

34

Antes de Llamar por Asistencia	34
Garantía	35

## BIENVENIDO

Bienvenido a la familia Danby. Estamos orgullosos de nuestros productos de alta calidad y creemos en el servicio confiable.

Usted lo podrá apreciar en este manual fácil de usar, y lo escuchará en las voces amistosas de nuestro departamento de servicio al consumidor.  
Tel.: 1-800-26-**Danby**<sup>®</sup>

Sobre todo, usted apreciará estas ventajas cada vez que use su heladera para vinos. Eso es importante, ya que su nuevo artefacto formará parte de su familia por mucho tiempo.

## ¡Comience Aquí! Antes de usar su Heladera para Vinos

Escriba aquí el modelo y el número de serie. Se encuentran en una etiqueta en la parte de atrás de la Heladera para Vinos.

Número de Modelo **DWC286BLS**

Número de Serie \_\_\_\_\_

Fecha de compra \_\_\_\_\_

Abroche su recibo en la parte de atrás de este manual. Lo necesitará para obtener servicio de garantía.

## ¿NECESITA AYUDA?

Antes de solicitar servicio, hay algunas cosas que puede hacer para ayudarnos a servirle mejor...

### Lea este manual

Contiene instrucciones que lo ayudarán a mantener correctamente su heladera para vinos. Si usted recibe un artefacto dañado, llame inmediatamente al distribuidor (o constructor) que se lo vendió.

Lea la sección de Diagnóstico de Problemas antes de llamar. Esta sección le ayudará a resolver problemas comunes que pudieran ocurrir.

Si necesita asistencia, no se preocupe y llámenos.  
Tél.: 1-800-26-**Danby**<sup>®</sup>

Ahorre tiempo y dinero.

# INSTRUCCIONES IMPORTANTES DE SEGURIDAD

## LEA TODAS LAS INSTRUCCIONES DE SEGURIDAD ANTES DE UTILIZARLA

### ATENCIÓN

#### ¡PELIGRO, LOS NIÑOS PODRÍAN QUEDAR ATRAPADOS!

Una heladera para vinos vacía es una atracción muy peligrosa para los niños. Remueva la junta, las trabas, la manija y/o las puertas de los artefactos que no se usen o se hayan desechado, o tome alguna otra medida para garantizar que sean inofensivos.

**¡NO ESPERE, HAGA ESTO AHORA MISMO!**

### ATENCIÓN

Para reducir el riesgo de incendio, quemaduras, descargas eléctricas o daños personales al usar su artefacto, siga las precauciones básicas incluidas en las secciones siguientes.

### RECOMENDACIONES DE SEGURIDAD

- Este artefacto debe ser conectado a tierra. Conéctelo únicamente a un tomacorriente con conexión a tierra. Vea las "Instrucciones de Conexión a Tierra" de la página 4.
- No use este artefacto si tiene el cable de alimentación o el enchufe dañado, si no funciona correctamente o si se ha dañado o caído.
- No modifique el cable de alimentación que viene con el artefacto.
- Mantenga el cable alejado de superficies calientes.
- No sumerja el cable de alimentación, el enchufe o el artefacto en agua.
- No use este producto cerca del agua, por ejemplo en un sótano húmedo, cerca de una piscina o cerca de una pileta.
- No use productos químicos corrosivos o vapores en este artefacto.
- Utilice este artefacto únicamente para los fines indicados en este manual.
- No almacene alimentos perecederos tal como (pero sin limitación) carnes y productos lácteos en su heladera para vinos.
- Guarde el vino en botellas cerradas únicamente.
- No tape u obstruya ninguna abertura de este artefacto.
- Este artefacto eléctrico es para uso domiciliario solamente. No intente usar o guardar este artefacto en el exterior.
- Este artefacto debe ser reparado únicamente por personal calificado. Llame al centro de reparaciones más cercano para que sea examinado, reparado o ajustado.

**CONSERVE ESTAS INSTRUCCIONES**

# INSTRUCCIONES IMPORTANTES DE SEGURIDAD

## INSTRUCCIONES DE LA CONEXIÓN A TIERRA

### ATENCIÓN

La conexión inadecuada del cable de tierra puede causar riesgo de descarga eléctrica.

Este artefacto debe ser conectado a tierra. En caso de un corto circuito eléctrico, la conexión a tierra reduce el riesgo de una descarga eléctrica proporcionando un cable de retorno para la corriente eléctrica.

Este artefacto viene con un cable de alimentación que tiene un conductor y pata del enchufe de tierra. Este cable debe enchufarse en un tomacorriente debidamente instalado y con conexión a tierra.

Si no entiende claramente las instrucciones de conexión a tierra, o si no está seguro de que su tomacorriente esté correctamente conectado a tierra, llame a un electricista calificado.

Si el tomacorriente es uno común de 2 patas, es su responsabilidad personal y obligación el reemplazarlo por uno de 3 patas correctamente conectado a tierra.

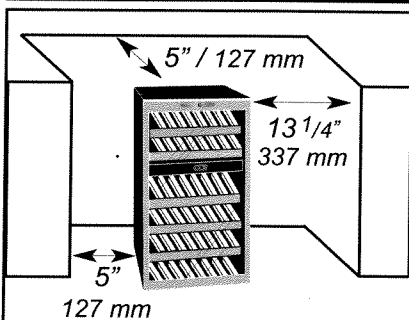
Para obtener el mejor resultado, enchufe este artefacto en su propio tomacorriente para evitar que las luces titilen, quemar un fusible o disparar una llave térmica.

Nunca, bajo ninguna circunstancia, corte o remueva la tercera pata (tierra) del enchufe.

No use un enchufe adaptador con este artefacto

No use un cable de prolongación con este artefacto. Si el cable de alimentación es demasiado corto, haga que un electricista calificado o un técnico de reparaciones instale otro tomacorriente más cerca del artefacto.

## Ubicación



Deje 13 1/4" (33,7cm) entre el lado de la puerta de la bisagra y cualquier pared adyacente para que la puerta pueda abrirse.

### HACER...

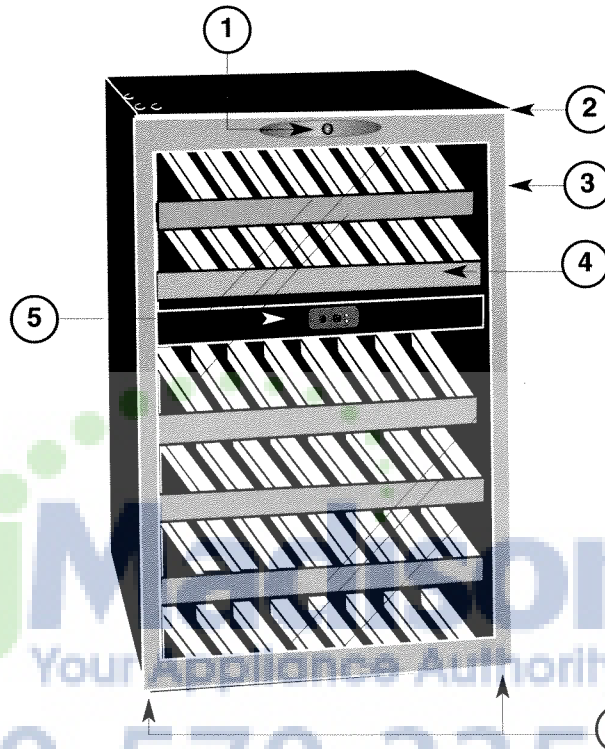
- Elija una ubicación con un piso duro y nivelado.
- Deje cinco pulgadas de separación entre la parte de atrás del artefacto y cualquier pared adyacente.
- Evite la luz directa del sol y el calor. La luz directa del sol puede afectar el recubrimiento acrílico, fuentes de calor cercanas harán que consuma más energía eléctrica.

### NO HACER...

- No utilice este artefacto en el exterior: Este artefacto eléctrico es para uso domiciliario solamente. No intente usar o guardar este artefacto en el exterior.
- No empotre este artefacto en ningún lado: Este artefacto está diseñado para funcionar únicamente apoyado en el piso y no para ser 'empotrado'.

# Instrucciones de Operación

## Características de su Heladera para Vinos



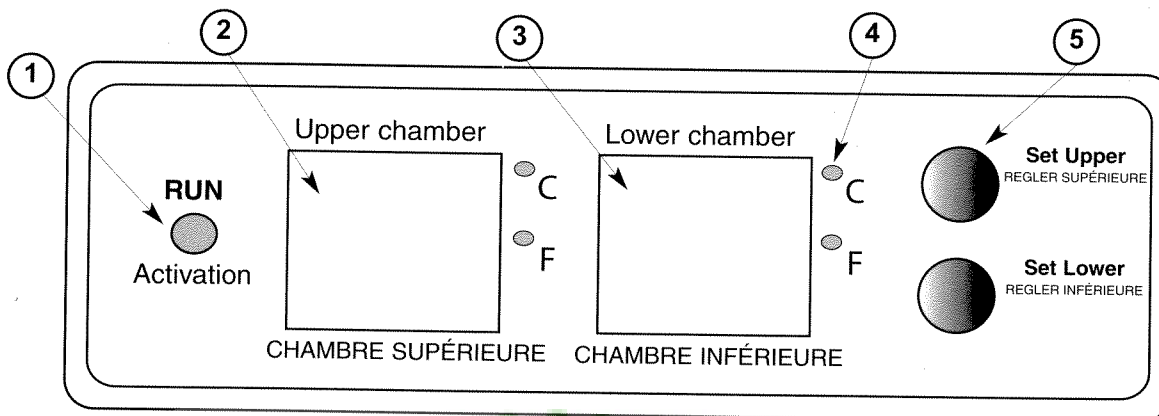
- 1. Trabas con llave a prueba de niños.**
- 2. Juntas Magnéticas de la Puerta:** Las juntas ajustadas mantienen todo el poder de enfriamiento y los niveles de humedad.
- 3. Puerta de vidrio templado:** Polarización para proteger contra radiación UV pero permite ver fácilmente el interior.
- 4. Estantes con bordes de acero inoxidable**
- 5. Controles Electrónicos Dobles:** Para regular independientemente la temperatura de ambos compartimientos de la heladera para vinos.
- 6. Patas Niveladoras**

### Especificaciones

Ancho	19,4" / 493mm	Temperatura	39~64°F / 4~18°C
Alto	33,2" / 843,3mm	Peso Neto	97 libras(44 kg)
Profundidad	23,3" / 592mm	Refrigerante	R134a

# Instrucciones de Operación

## Controles de su Heladera para Vinos



- 1. Run (Marcha) :** Este indicador se enciende para indicar que el modo de refrigeración está funcionando.
- 2. Pantalla electrónica del compartimento superior :** Muestra la temperatura actual del compartimento superior y la temperatura seleccionada.
- 3. Pantalla electrónica del compartimento inferior :** Muestra la temperatura actual del compartimento inferior y la temperatura seleccionada.
- 4. °C / °F :** La luz indicadora adyacente le indica la unidad correcta de temperatura.
- 5. Botón "Set Upper" (Elevar) :** Se usa para aumentar la temperatura del compartimento superior en incrementos de 1 grado. (Vea Ajuste de Temperatura más abajo)  
**Botón "Set Lower" (Descender) :** Se usa para aumentar la temperatura del compartimento inferior en incrementos de 1 grado. (Vea Ajuste de Temperatura más abajo)

## Ajuste de Temperatura

### ¡IMPORTANTE!

En caso de falla de energía eléctrica, espere de 3 a 5 minutos antes de volverla a encender.

- Para cambiar la indicación entre Fahrenheit (°F) y Celsius (°C), presione los botones "Set Upper" y "Set Lower" simultáneamente durante unos cinco (5) segundos.

- La temperatura de ambos compartimentos puede ajustarse desde 39°F (4°C) hasta 64°F (18°C) para satisfacer sus requerimientos específicos de la heladera para vinos. Cada vez que presione los botones de "Set Upper" o "Set Lower" podrá

ajustar la temperatura en incrementos de 1 grado dentro del rango mencionado anteriormente.

- Para ver la temperatura "elegida" (en cualquier momento) mantenga oprimido el botón "Set Upper" o "Set Lower". La temperatura "elegida" titilará en la pantalla LED durante alrededor de 5 segundos y luego la pantalla volverá a mostrar la temperatura del inferior del gabinete.

# Instrucciones de Operación

## Almacenamiento de Vinos

### ¡IMPORTANTE!

Guarde el vino en botellas cerradas únicamente.

La capacidad máxima\* de la DWC286BLS es de 38 botellas de vino (de 750ml).

*\*Cuando se guarden de acuerdo con las instrucciones y no se usen los humidores.*

Para poder alcanzar la capacidad máxima de almacenamiento de treinta y ocho (38) botellas, será necesario colocar las botellas alternativamente en los cuatro (4) estantes superiores, tal como se indica en la **Fig. A**. Esto permitirá el almacenamiento de siete (7) botellas de 750ml por estante en cada uno de los cuatro (4) estantes superiores, y cinco (5) botellas en los dos (2) estantes inferiores (**Fig. B**).

Si las condiciones de humedad son bajas, será necesario utilizar el humidor. Llene el humidor a  $\frac{3}{4}$  de su capacidad con agua de la canilla y colóquelo en el estante inferior de cada sección. Revise a menudo el nivel de agua, y llénelo cuando sea necesario.

**NOTA:** El uso de humidores reducirá la capacidad de almacenamiento en una botella para los estantes en los que se coloque.

Estantes profundos (x4)

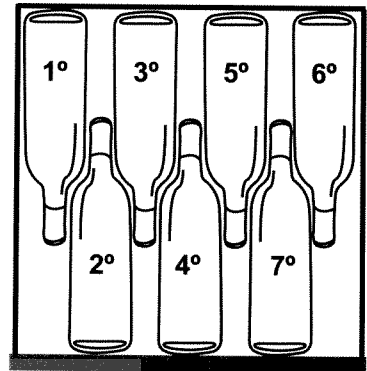


Fig. A

Estantes chicos (x2)

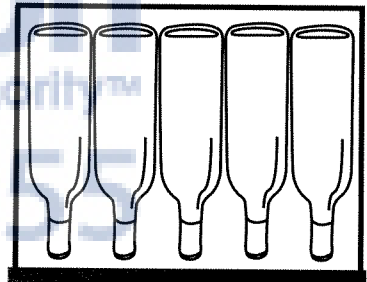


Fig. B

## Instrucciones de los Estantes

### ¡IMPORTANTE!

No recubra los estantes con papel de aluminio ni ningún otro material que evite la adecuada circulación de aire dentro del gabinete.

Para sacar un estante de su posición trabada, inclínelo como se indica en la **Fig. C** y tire hacia afuera.

Para volver a trabarlo, verifique que esté apoyado firmemente en los soportes de montaje y empújelo hacia adentro hasta que se trabe en su lugar.

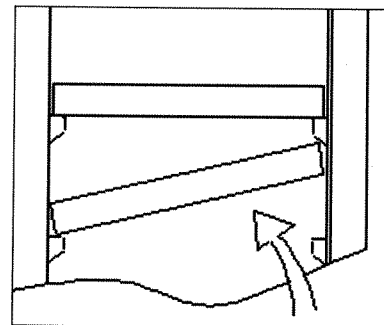


Fig. C

# Inversión de la Puerta

## HERRAMIENTAS NECESARIAS

Destornillador Phillips #2 y una llave ajustable.

### ¡CUIDADO!

**Equipo muy pesado  
Use 2 o más personas para mover  
la heladera para vinos.**

1. Desenchufe la heladera para vinos y apóyela en su parte posterior.
2. Desatornille las 2 patas niveladoras; una desde el extremo derecho de la bisagra inferior y la otra por el costado izquierdo de la unidad, vea las ubicaciones en la Fig. 4 y Fig. 4.

3. Quite la bisagra inferior desatornillando sus tres (3) tornillos (Fig. 2).

**NOTA:** Guarde esta bisagra en un lugar seguro por si necesita volver a instalarla.

4. Quite cuidadosamente la puerta y déjela a un lado deslizando hacia abajo para desengancharla de la bisagra superior.
5. Quite las dos (2) tapas plásticas de tornillos de la parte superior de la cubierta de la bisagra (Fig. 1).
6. Quite la cubierta de la bisagra superior quitando sus dos (2) tornillos (Fig. 1).
7. Quite la bisagra superior desatornillando sus tres (3) tornillos (Fig. 1).
8. Quite la tapa plástica de la clavija de la puerta del lado superior izquierdo de la puerta y colóquela en la parte superior derecha de la puerta.
9. Quite las tres (3) tapas plásticas de tornillos de la parte superior izquierda del gabinete y colóquelas en la parte superior derecha (Fig. 6).
10. Instale la bisagra superior en el lado izquierdo de la unidad y fíjela con sus tres (3) tornillos. (Fig. 1).
11. Vuelva a colocar la cubierta de la bisagra en la bisagra superior y fíjela con dos (2) tornillos. (Fig. 1).
12. Instale las dos (2) tapas plásticas de tornillos en la cubierta de la bisagra. (Fig. 1).
13. Instale cuidadosamente la puerta en el gabinete (inserte la parte superior en la clavija de la bisagra superior).

14. Usando la bisagra inferior izquierda que viene con su unidad (Fig. 5): Inserte la clavija de la bisagra en la parte inferior de la puerta, luego alinee los agujeros de la bisagra con los del gabinete y fije la bisagra al gabinete con tres (3) tornillos.

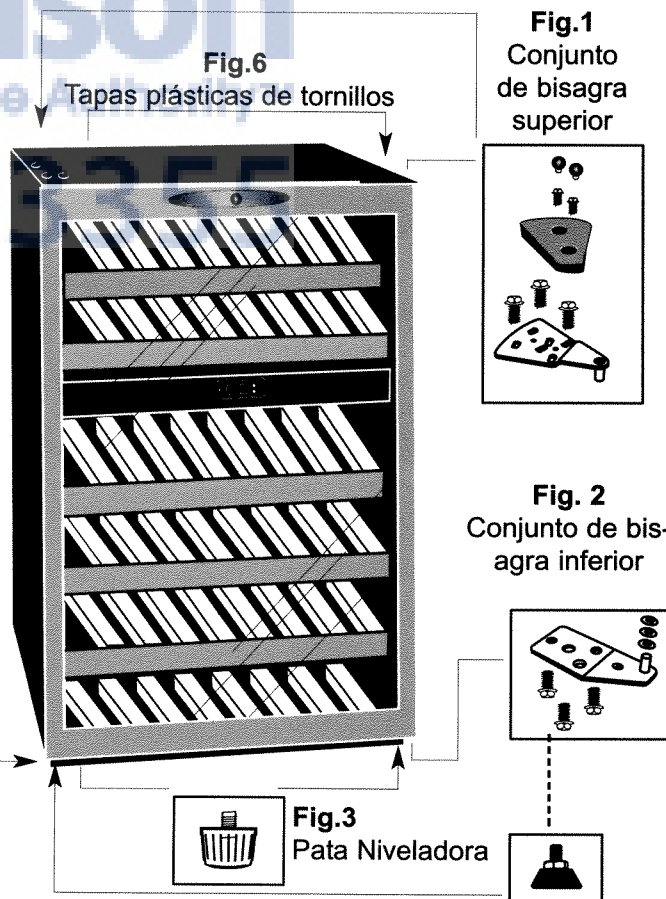
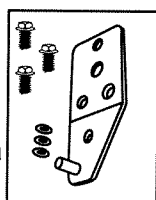
15. Instale la pata niveladora que estaba colocada en la bisagra inferior derecha (Fig. 4) en la nueva bisagra inferior izquierda, e instale la pata niveladora que estaba en la parte izquierda en la parte derecha (Fig. 3).

16. Verifique que la puerta esté alineada, que cierre bien y que se deslice cómodamente dentro de la cerradura. Ajuste todos los tornillos de las bisagras.

### ¡IMPORTANTE!

Cuando haya terminado, deje la unidad en posición vertical durante 1 hora antes de ponerla en funcionamiento.

**Fig.5**  
Conjunto de bisagra inferior izquierda



**Fig. 4**  
Pata niveladora de la bisagra inferior

## Cuidado y Limpieza

### ATENCIÓN!

Verifique que la unidad esté apagada antes de limpiar cualquiera de sus partes.

### Consejos Útiles

Deje la puerta de la heladera para vinos abierta por unos minutos luego de limpiarla para que se ventile y para secar el interior del gabinete.

### Cómo limpiar el interior

#### Paredes, Piso, Interior de las Puertas y Estantes

Las manchas de agua y tierra se pueden limpiar con un trapo húmedo.

#### Humidores

Lávalos cuidadosamente en agua tibia, jabonosa. Pueden romperse si se le caen.

### ¡IMPORTANTE!

Nunca use un limpiador comercial o abrasivo u objetos filosos en ninguna parte de la heladera para vinos.

### ¡IMPORTANTE:

Para evitar que se rompan, no los coloque en agua caliente inmediatamente después de sacarlos de la heladera fría.

### Cómo limpiar el exterior

#### Cubierta Exterior

Es importante mantener limpia la zona donde la puerta cierra contra el gabinete. Limpie esa área con trapo enjabonado. Enjuáguela y séquela completamente.

#### Panel de Control y Puerta

Repáselo con un trapo húmedo y séquelo completamente. No use limpiadores en aerosol, demasiada agua y jabón, objetos abrasivos o filosos en el panel de control ya que podría dañarlo. Algunas toallas de papel también podrían rayar el panel de control.

### ¡IMPORTANTE!

No use limpiadores que tengan amoníaco o alcohol en la heladera para vinos.

El amoníaco o el alcohol pueden dañar la apariencia del artefacto.

#### Superficie de la Puerta

Use únicamente detergentes livianos, no abrasivos, aplicados con una esponja limpia o un trapo suave. Enjuáguelo bien.

Madison  
Your Appliance Authority™  
800-570-3355

# Diagnóstico de Problemas

## Antes de Llamar por Asistencia

Problema	Posible Causa	Qué Hacer
<b>No Enciende.</b>	<p>Puede tener un fusible quemado o una llave térmica abierta en su instalación eléctrica.</p> <p>Sobrevoltaje.</p> <p>El enchufe no está completamente insertado en el tomacorriente.</p>	<p>Reemplace el fusible o encienda la llave general.</p> <p>Desenchufe el equipo, espere unos segundos y vuelva a enchufarlo.</p> <p>Verifique que el enchufe de 3 patas del equipo esté completamente insertado en el tomacorriente.</p>
<b>Temperatura del Gabinete demasiado alta</b>	<p>Ajuste la Temperatura</p> <p>La(s) puerta(s) no está(n) cerrada(s) correctamente o se han abierto demasiado.</p> <p>Se han agregado recientemente muchas botellas tibias al gabinete</p>	<p>Verifique el ajuste de temperatura. Ajústelo si es necesario.</p> <p>Verifique que las puertas estén completamente cerradas y que las juntas estén cerrando bien contra el gabinete. Abra las puertas sólo lo necesario y por poco tiempo.</p> <p>Limite la cantidad de botellas tibias que agregue en el gabinete al mismo tiempo. Intente fraccionar el agregado de botellas todo lo posible. (Por ejemplo, no agregue mas de 6 botellas a la vez)</p>
<b>Ruido "clic"</b>	Ruido normal	No requiere la intervención del usuario ya que este sonido es normal durante el funcionamiento del artefacto. El ruido "clic" puede escucharse cuando el artefacto termina o comienza un ciclo de enfriamiento.
<b>Condensación en el gabinete y/o las puertas</b>	<p>Alta humedad en el ambiente.</p> <p>La(s) puerta(s) no está(n) cerrada(s) correctamente o se han abierto demasiado.</p>	<p>La condensación disminuirá cuando las condiciones de humedad vuelvan a la normalidad.</p> <p>Verifique que las puertas estén completamente cerradas y que las juntas estén cerrando bien contra el gabinete. Abra las puertas sólo lo necesario y por poco tiempo.</p>

Si ninguno de los casos anteriores soluciona su problema, llame a nuestro departamento de servicio al cliente al **1-800-26-Danby® (1-800-263-2629)**.

# Danby® Designer **GARANTÍA LIMITADA**

Este producto de calidad está garantizado contra defectos de fabricación, incluyendo partes y mano de obra, siempre y cuando la unidad se utilice bajo las condiciones normales de funcionamiento para las que fue diseñado.

Esta garantía está solamente disponible para la persona que haya comprado originalmente esta unidad directamente de Danby o uno de sus distribuidores autorizados, y no es transferible.

## CONDICIONES DE LA GARANTÍA

Las partes plásticas (como la puerta del evaporador, rieles de la puerta, cubiertas y bandejas) tienen una garantía de treinta (30) días a partir de la fecha de compra, sin ninguna excepción.

**Primeros Dos Años** Durante los primeros dos (2) años, cualquier parte eléctrica de este producto que resulte defectuosa, incluyendo cualquier sistema sellado, será reparado o reemplazado, a opción del fabricante, sin cargo para el comprador ORIGINAL. Los insumos (como lámparas eléctricas) no están garantizadas por ningún período de tiempo.

**Para obtener Servicio** Comuníquese con el distribuidor donde haya comprado la unidad, o llame al Taller de Servicio Autorizado más cercano, donde debe ser reparada por un técnico calificado. Si esta unidad es reparada en otro lugar que no sea un Taller de Servicio Autorizado, o si la unidad se utiliza para aplicaciones comerciales, Danby no se hará responsable de ninguna forma y la garantía será anulada.

Ninguna parte de esta garantía implica que Danby se hará responsable por el daño de ningún alimento u otros contenidos de este artefacto, ya sea debido a un defecto del artefacto, o a su uso, ya sea apropiado o no.

## EXCLUSIONES

Salvo lo aquí indicado por Danby Products Limited (Canadá) o por Danby Products Inc. (U.S.A.), no existen otras garantías, condiciones o representaciones, explícitas o implícitas, concretas o intencionales por parte de Danby Products Limited o sus distribuidores autorizados y todas las demás garantías, condiciones o representaciones, incluyendo cualquier garantía, condiciones o representaciones bajo cualquier Acta de Venta de Productos o legislación o estatuto similar, quedan de esta forma expresamente excluidas. Salvo lo aquí indicado, Danby Products Limited (Canadá) o Danby Products Inc. (U.S.A.) no serán responsables por ningún daño a personas o bienes, incluyendo la propia unidad, sin importar su causa, o de ningún daño indirecto causado por el desperfecto de la unidad, y al comprar esta unidad, el comprador acepta por la presente, indemnizar y proteger a Danby Products Limited contra cualquier reclamo por daños a personas o bienes causados por la unidad.

## CONDICIONES GENERALES

No se considerará ninguna de estas garantías o seguros cuando el daño o la necesidad de reparación sea el producto de los siguientes casos:

- 1) Falla del suministro eléctrico.
- 2) Daños en tránsito o durante el transporte de la unidad.
- 3) Alimentación incorrecta, como bajo voltaje, instalación eléctrica defectuosa o fusibles inadecuados.
- 4) Accidente, modificación, abuso o uso incorrecto del artefacto, tal como no suficiente ventilación del ambiente o condiciones de operación anormales (temperatura ambiente extremadamente alta o baja).
- 5) Utilización comercial o industrial.
- 6) Incendio, daños por agua, robo, guerra, disturbios, hostilidades, actos de fuerza mayor como huracanes, inundaciones, etc.
- 7) Pedidos de servicio debido a desinformación del usuario.

Para acceder a la garantía se solicitará un comprobante de compra; por lo tanto, guarde su recibo. En caso de necesitar servicio de garantía, presente ese documento al TALLER DE SERVICIO AUTORIZADO

### Servicio de Garantía

### En Domicilio

Danby Products Limited  
P.O. Box 1778, Guelph, Ontario, Canada N1H 6Z9  
Teléfono: (519) 837-0920 FAX: (519) 837-0449

Danby Products Inc.  
P.O. Box 669, Findlay, Ohio, U.S.A. 45839-0669  
Teléfono: (419) 425-8627 FAX: (419) 425-8629

05/07





**Danby**<sup>®</sup> *Designer*

**Model • Modèle • Modelo**  
**DWC286BLS**

For service, contact your nearest service depot or call:

**1-800-26- Danby**<sup>®</sup>  
**(1-800-263-2629)**

to recommend a depot in your area.

Pour obtenir de l'assistance, communiquez avec votre centre de service le plus rapproché ou composez le :

**1-800-26- Danby**<sup>®</sup>  
**(1-800-263-2629)**

pour localiser le dépositaire de votre région.

Para reparaciones, llame a su centro de reparaciones más cercano o al:

**1-800-26- Danby**<sup>®</sup>  
**(1-800-263-2629)**

para recomendarle un centro de reparaciones en su área.

## DELUXE 2 TEMP WINE COOLER

The model number can be found on the serial plate located on the back panel of the unit.

All repair parts available for purchase or special order when you visit your nearest service depot. To request service and/or the location of the service depot nearest you, call the TOLL FREE NUMBER.

When requesting service or ordering parts, always provide the following information:

- Product Type
- Model Number
- Part Description

## CABINET À VIN DE LUXE À DEUX TEMPÉRATURES

Le numéro de modèle se trouve sur la plaque signalétique au dos de l'unité.

Vous pouvez vous procurer/commander toute pièce de rechange chez votre dépositaire le plus rapproché. Pour toute demande de service ou pour localiser le dépositaire/centre de service le plus rapproché, composez le NUMÉRO SANS FRAIS.

Pour toute demande de service ou commande de pièces, fournissez toujours l'information suivante :

- Type de produit
- Numéro de modèle
- Description de la pièce requise

## REFRIGERADOR PARA VINOS DELUXE CON 2 COMPARTIMIENTOS DE REFRIGERACIÓN INDEPENDIENTES

El número de modelo se encuentra en la placa ubicada en el panel posterior de la unidad.

Todas las partes de recambio pueden comprarse o encargarse especialmente en su taller de reparación autorizado. Para solicitar servicio y/o localizar el taller de servicio mas cercano, llame a nuestro NÚMERO SIN CARGO.

Proporcione siempre la siguiente información al solicitar servicio o al ordenar partes:

- Tipo de Producto
- Número de Modelo
- Descripción de la Parte

Danby Products Limited, Guelph, Ontario Canada N1H 6Z9  
Danby Products Inc., Findlay, Ohio USA 45839-0669