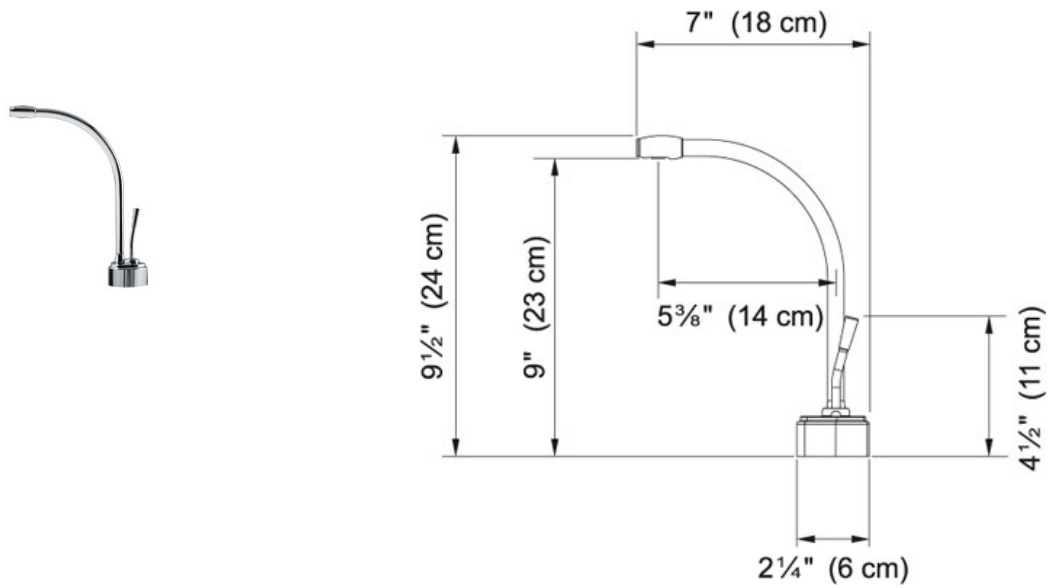


SPECIFICATION SHEET

PRODUCT FAMILY: Point of Use and Filtration FINISH: Polished Chrome SERIES: COLD WATER ONLY MODEL: DW9000



Product Information

| | |
|-----------------------|----------------------|
| FUN# | 120.0296.745 |
| US Part Number | DW9000 |
| | Cold Water Dispenser |

Suggested Products



133.0171.120



133.0204.098