

DW80M9990US

WaterWall™ Dishwasher



Signature Features

WaterWall™ Linear Wash System

- A powerful, streaming wall of water delivers remarkable cleaning results. Maintains maximum pressure from corner to corner.

AutoRelease™ Door

- At the end of a cycle, the door automatically pops open to circulate air and accelerate drying time.

Zone Booster™

- Target different zones of your dishwasher with custom settings.

Available Colors



Stainless Steel (shown)



Black Stainless Steel



WaterWall™ Linear Wash System



Zone Booster

Features

- Third Rack with FlexTray™
- Quiet Operation: 38 dBA
- Wi-Fi Connectivity
- 7 Wash Cycles (Including Chef Cycle)
- 8 Options
- Express Cycle: 60 Minutes
- One-Touch Adjustable Racking System
- 15 Place Settings
- Digital Leakage Sensor
- Indicator Light

Convenience

- Child Lock
- Delay Start
- Interior LED Light

Rating

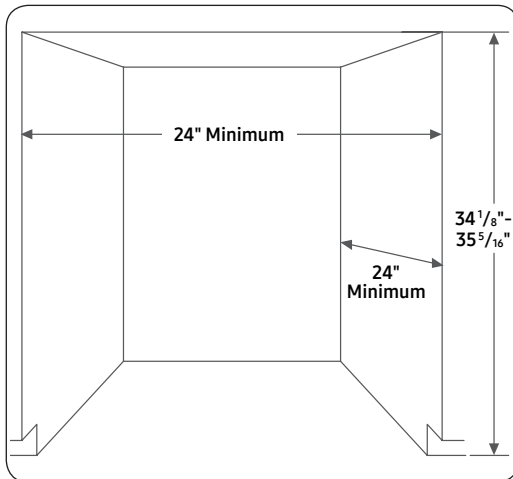


ENERGY STAR®-rated:
239 kWh/yr

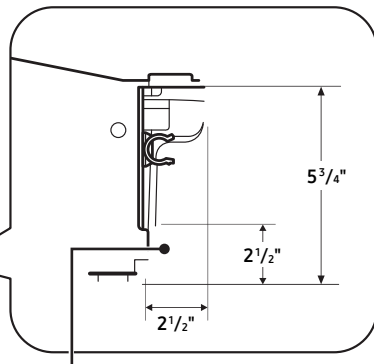
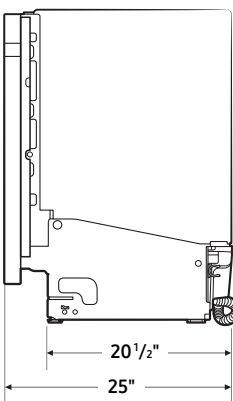
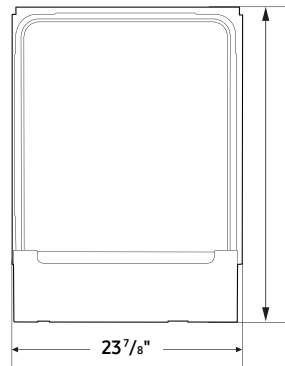
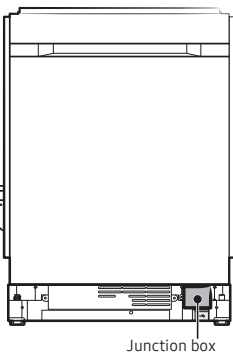
DW80M9990US

WaterWall™ Dishwasher

Installation Specifications



Dimensions



You must arrange the water supply line, power cable and drain hose in the space behind the dishwasher.

Features

- 7 Wash Cycles: Auto, Normal, Heavy, Delicate, Express 60, Self Clean, Chef
- 8 Options: Half-Load Wash (Lower Rack), Zone Booster (Left), Speed Booster, Hi-Temp Wash, Sanitize (Anti-bacterial—NSF®-Certified Sanitize Cycle), Delay Start, Control Lock, Smart Control (Wi-Fi App)
- AutoRelease™ Door
- Hidden Heat Element
- Stainless Steel Interior Tub

Convenience

- Child Lock
- Digital Water Leakage Sensor
- Third Rack with FlexTray™
- One-Touch Adjustable Racking System
- Silverware Basket
- Upper Rack: 2 Cup Shelves, 2 Adjustable Tines
- Lower Rack: Fold-Down Tines
- Interior Light

Warranty

One (1) Year All Parts and Labor

Five (5) Year Limited on Printed Circuit Board and Interior Nylon Racks

Lifetime Limited Warranty on Stainless Steel Door Liner and Tub for Leakage

Product Dimensions & Weight (WxHxD)

Dimensions: 23⁷/₈" x 33⁷/₈" - 35" x 25"

Weight: 95 lbs.

Shipping Dimensions & Weight (WxHxD)

Dimensions: 26" x 34³/₄" x 29³/₄"

Weight: 101 lbs.

Color

Stainless Steel

Black Stainless Steel

Model

DW80M9990US

DW80M9990UM

UPC Code

887276238104

887276238098